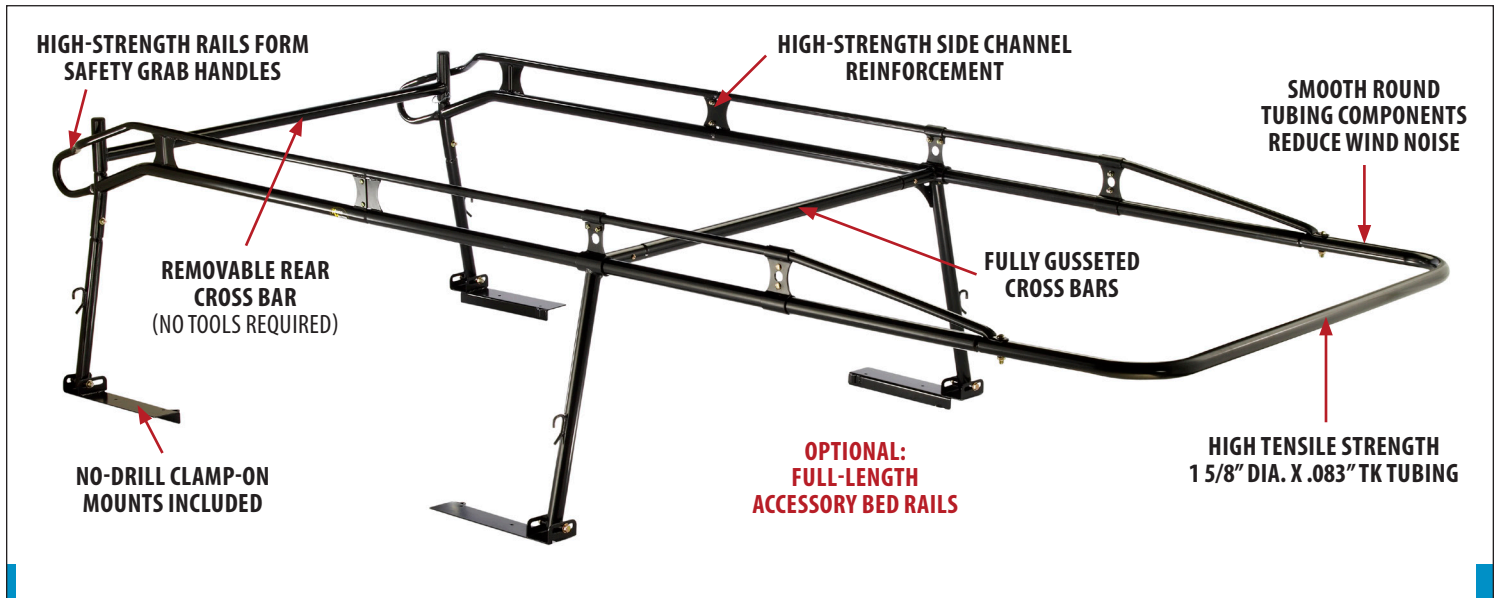


MEDIUM-DUTY PRO III Pick Up Truck Cargo Racks



UNIQUE NEW DESIGN

- Front legs adjust to fit any bed length.
- Rugged .083" Tk. steel 1 5/8" tubing for superior strength.
- Abrasion and corrosion resistant "polyester marine-grade" powder paint.
- Easy to assemble with self-locking nuts.
- 1,000# capacity.
- Yellow zinc dichromate finished hardware resists corrosion up to five times longer than competitive models.
- Swaged joints and fully gusseted crossbars for superior load capacity.



Standard Foot Plates (Four of Each Included)

- These no-drill, clamp on foot mounts and stake pocket T bolts are specially designed to allow mounting Pro II, Pro III, Pro IV or Econo Utility Trucks series racks to your truck's bed railing without drilling. Does not reduce rack's carrying capacity.



Full-Length Accessory Bed Rails (Optional)

- These accessory bed rail-type mounts distribute the rack load, protect your pick up bed sides, and provide a strong flat base for mounting a tool box.



31300	96" Bed
31280	78" Bed
31270	72" Bed & '05 + Tacoma

PRO III DIMENSIONS		
TRUCK TYPE:	Full Size	Mini / Mid.
	A	155"
B	56" - 98"	48" - 84"
C	26½"	23"
D	33"	29"
E	54"	48"

PRO III MEDIUM-DUTY CARGO RACK FOR FULL-SIZED & MINI TRUCKS (1 5/8" DIA.) – BLACK ONLY

All Full-Sized (GM, Ram, Tundra, Ford)	80000		--
All Mid-Sized (GM, Ford, Pre-2005 Tacoma)	80020		---
2005 & NEWER TACOMA WITH 72" BED REQUIRES ADDITIONAL PART #31270 BED RAIL			