

ASSEMBLY INSTRUCTIONS
for :

PRO-II

Parts: 01000 and 01040

12_1.1

KARGO
MASTER

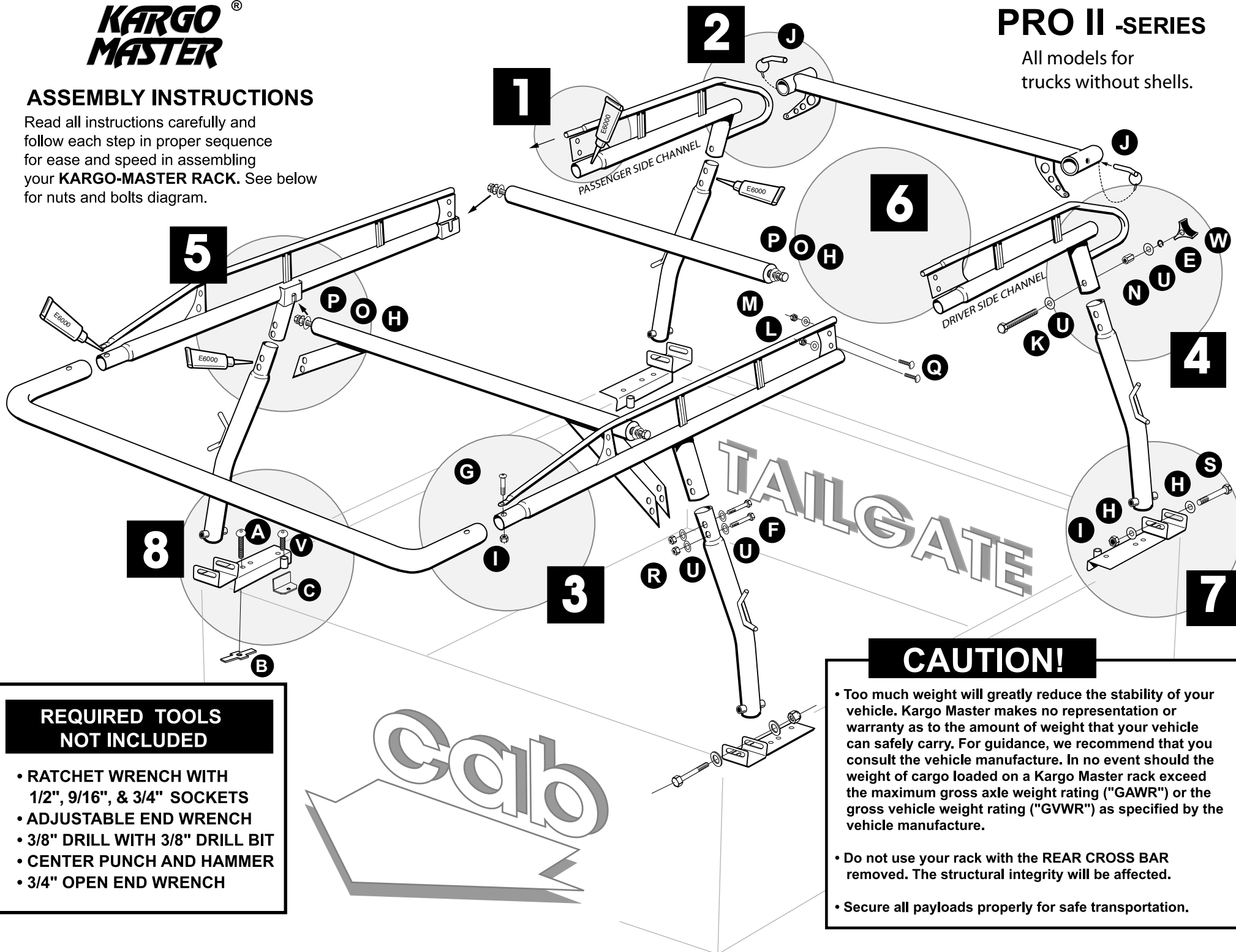


PRO II -SERIES

All models for trucks without shells.

ASSEMBLY INSTRUCTIONS

Read all instructions carefully and follow each step in proper sequence for ease and speed in assembling your **KARGO-MASTER RACK**. See below for nuts and bolts diagram.



- REQUIRED TOOLS NOT INCLUDED**
- RATCHET WRENCH WITH 1/2", 9/16", & 3/4" SOCKETS
 - ADJUSTABLE END WRENCH
 - 3/8" DRILL WITH 3/8" DRILL BIT
 - CENTER PUNCH AND HAMMER
 - 3/4" OPEN END WRENCH

CAUTION!

- Too much weight will greatly reduce the stability of your vehicle. Kargo Master makes no representation or warranty as to the amount of weight that your vehicle can safely carry. For guidance, we recommend that you consult the vehicle manufacture. In no event should the weight of cargo loaded on a Kargo Master rack exceed the maximum gross axle weight rating ("GAWR") or the gross vehicle weight rating ("GVWR") as specified by the vehicle manufacture.
- Do not use your rack with the REAR CROSS BAR removed. The structural integrity will be affected.
- Secure all payloads properly for safe transportation.



H

(12 ea.) 1/2" SAE Flat Washer



O

(5 ea.) 1/2" Lock Washer



U

(28 ea.) 3/8" SAE Flat Washer



L

(9 ea.) 5/16" Flat Washer



E

(2 ea.) 3/8" Lock Washer

S (4 ea.)
1/2" x 3-3/4"
Hex Bolt



G (2 ea.)
1/2" x 2 3/4"
Button Head Bolt



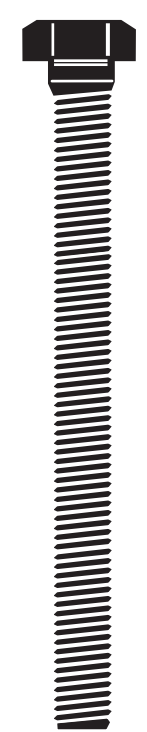
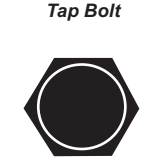
P (4 ea.)
1/2" x 1"
Hex Bolt



V (6 ea.)
1/2" x 2 1/2"
Button Head Bolt



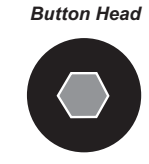
K (2 ea.)
3/8" x 3 1/2"
Tap Bolt



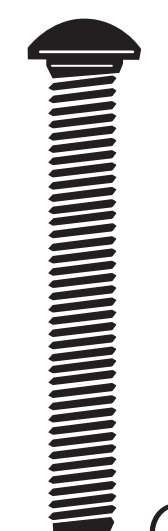
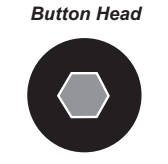
F (4 ea.)
3/8" x 3"
Hex Bolt



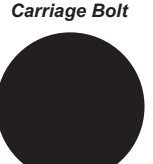
D (8 ea.)
3/8" x 1 3/4"
Button Head



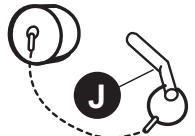
A (2 ea.)
3/8" x 16 x 2 1/2"
Button Head



Q (4 ea.)
5/16" x 3/4"
Carriage Bolt

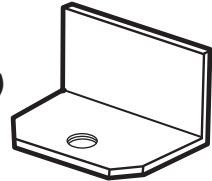


B (2 ea.)
3/8" T Nut



(2 ea.)
Rear Pin
& Cap

C (6 ea.)
Bed Rail
Clamps



I (7 ea.)
1/2" Jam Nut



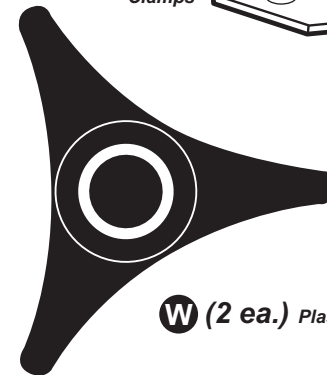
R (12 ea.)
3/8" Lock Nut



M (9 ea.)
5/16" Lock Nut



N (2 ea.)
3/8" Coupling Nut

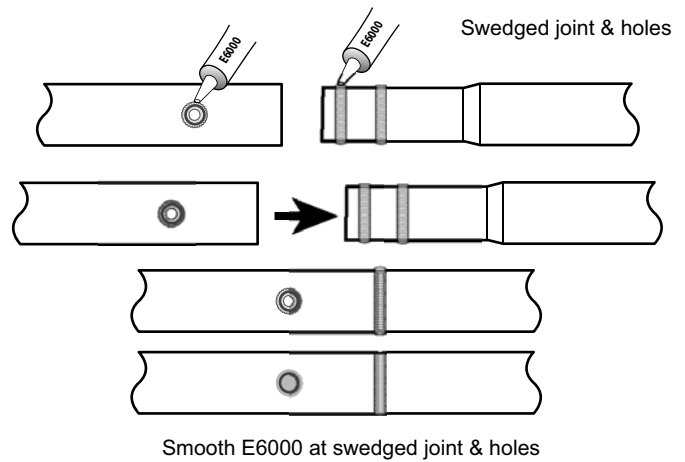


W (2 ea.) Plastic Knob



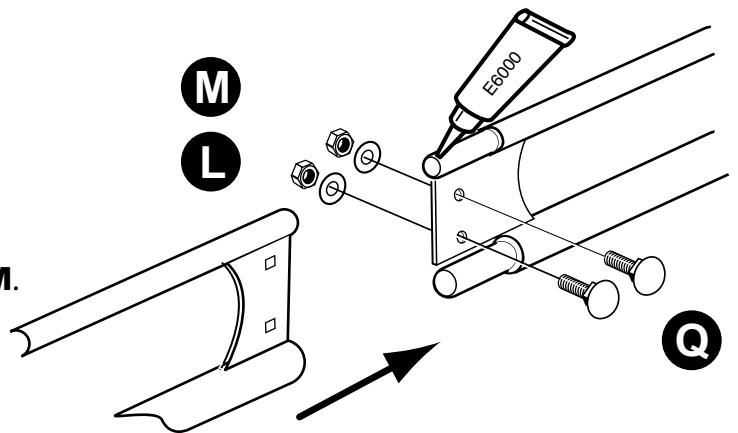
E6000 APPLICATION

Apply a healthy air tight bead of E6000 around **every** swaged joint as shown, to prevent moisture from leaking into and out of the joint. If this is not done properly, the inside surface of the tubes can rust and rusty water can leak out. Maintain this joint seal throughout the life of your rack.



STEP 1

#1 = Cover entire swedge joints with E6000 and join FRONT and REAR side channels together. Be sure the connecting plates overlap and bolt together with bolts **Q**, washers **L** and lock nuts **M**.



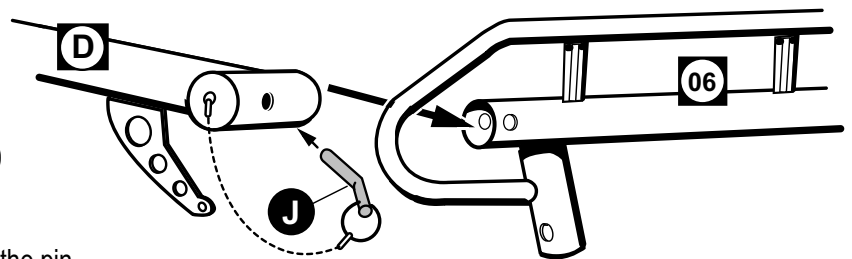
STEP 2

#1= Slide REAR BAR **D** on to REAR SIDE BEAMS

04 Driver side Channel & **06** Passenger side Channel

#2= Install LOCK PIN CAP **J** onto Rear Bar **D** by soaking plastic cap in hot soapy water, dry, then add E6000 to plastic and Insert.

#3= Fully insert LOCK PINS **J** completely to the bend of the pin.



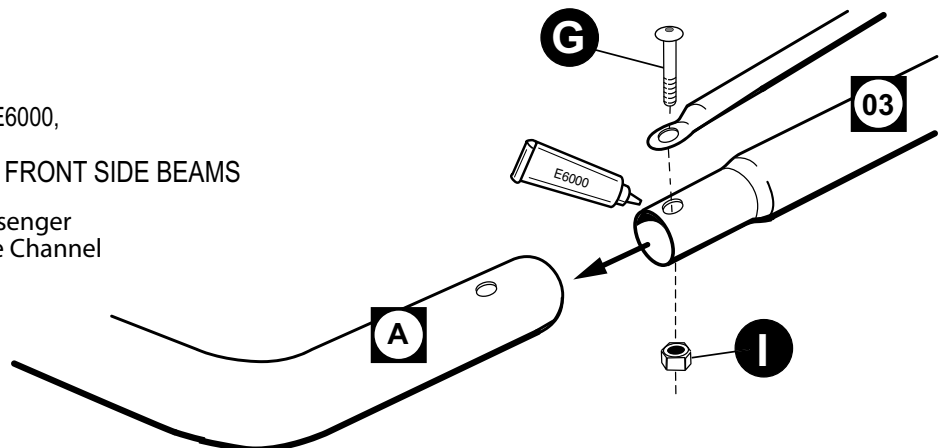
STEP 3

#1= Cover entire swaged joint surfaces with E6000,

Slide FRONT CROSS BAR **A** into FRONT SIDE BEAMS

03 Driver side Channel & **05** Passenger side Channel

#2= BOLT TOGETHER using **G** & **I**.
The allen wrench is included in the package. REAR SIDE BEAMS

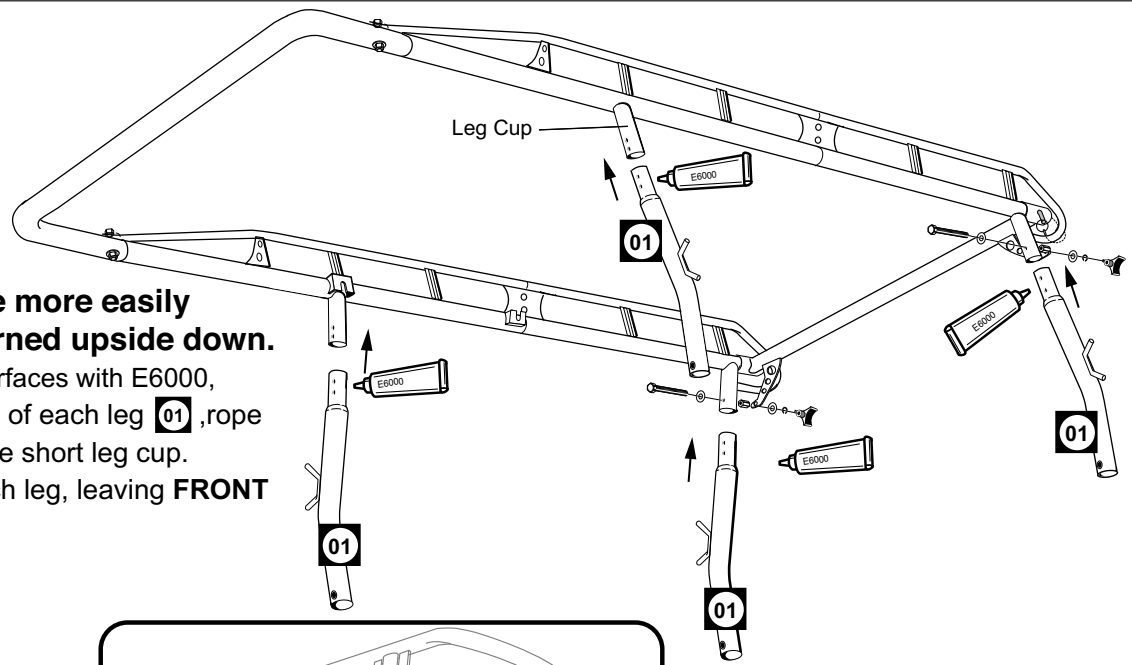


STEP 4

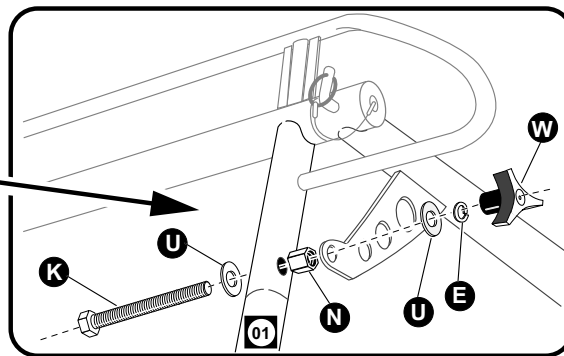
#1= All 4 legs are identical.

NOTE: Steps #4 & #5 are more easily completed with rack turned upside down.

Cover entire swaged joint surfaces with E6000, Then insert the swaged end of each leg **01**, rope hooks facing outward, into the short leg cup. Repeat this operation for each leg, leaving **FRONT LEGS** unbolted.



#2= Bolt **REAR LEGS** and **REAR BAR BRACE** (as shown)

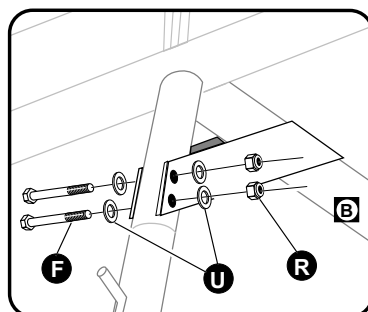
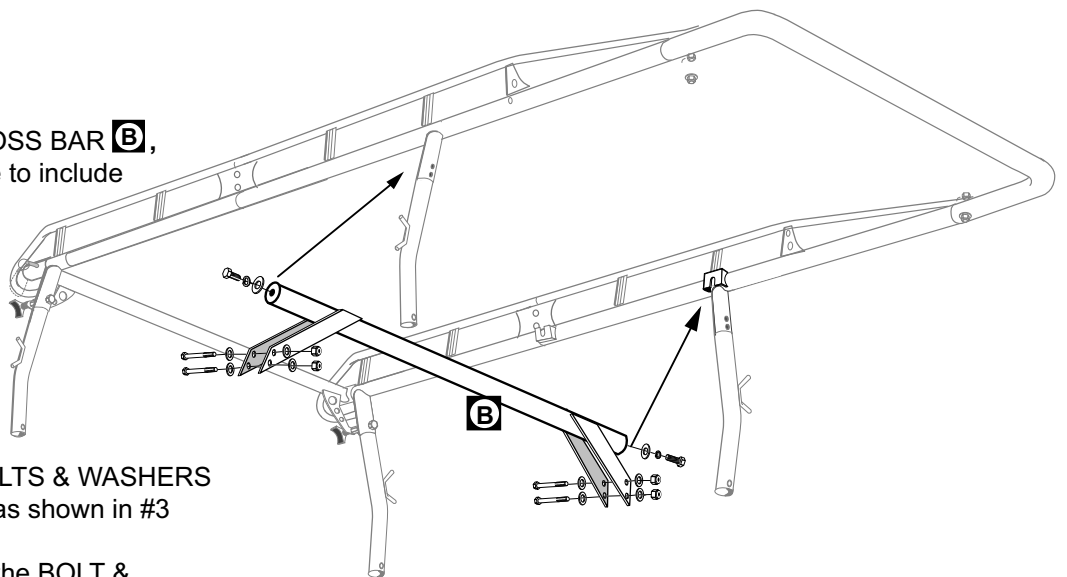


STEP 5

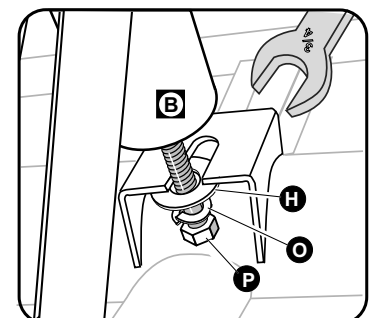
#1= At each end of **CENTER CROSS BAR B**, start **BOLTS & WASHERS**. Be sure to include both flat and lock **WASHERS**. Leave loose enough so that **BOLT** shaft can be slid into the **FRONT SLOTTED BRACKET** as shown in #3 below.

#2= On one side of rack, slide **BOLTS & WASHERS** into **FRONT SLOTTED BRACKET** as shown in #3 below.

On the other side of the rack, slide the **BOLT & WASHERS** into **FRONT SLOTTED BRACKET**. Bolt **CENTER CROSS BAR BRACES** and **LEG** together (snug only). Returning to the other side of the rack, bolt the **CENTER CROSS BAR BRACES** and **LEG** together (snug only)

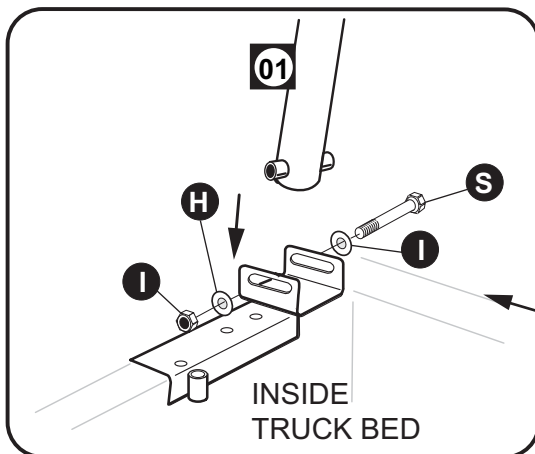
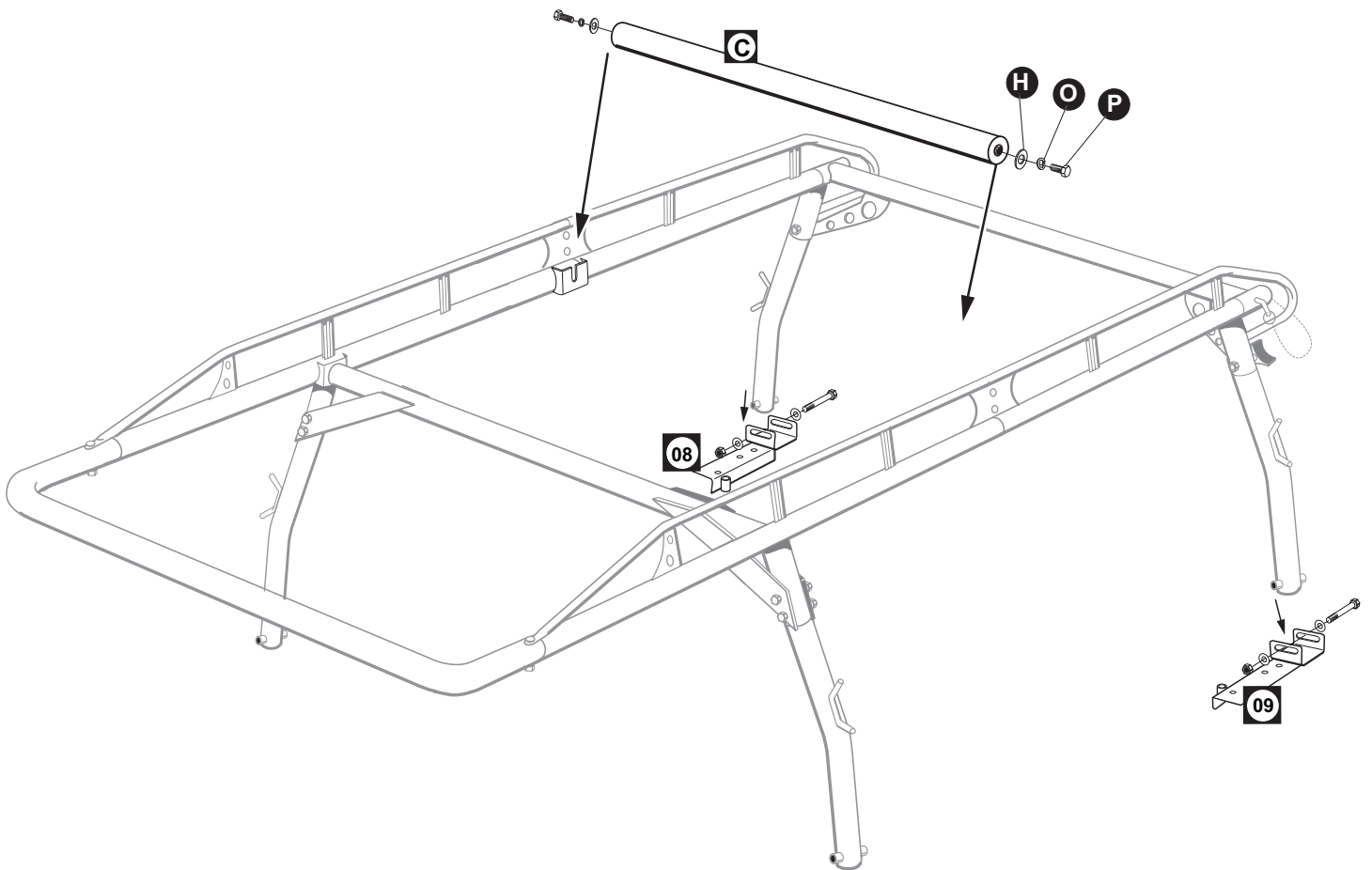


#3= With an open end 3/4" wrench, snug the **CENTER CROSS BAR BOLTS** on each side of the rack.



STEP 6

#1= Turn rack right side up now. At each end of CENTER CROSS BAR **C**, start BOLTS & WASHERS **P**, **O**, **H**. Be sure to include both flat and lock WASHERS. Leave loose enough so that BOLT shaft can be slid down into the CLAMP PLATE SLOTTED BRACKET as shown below.



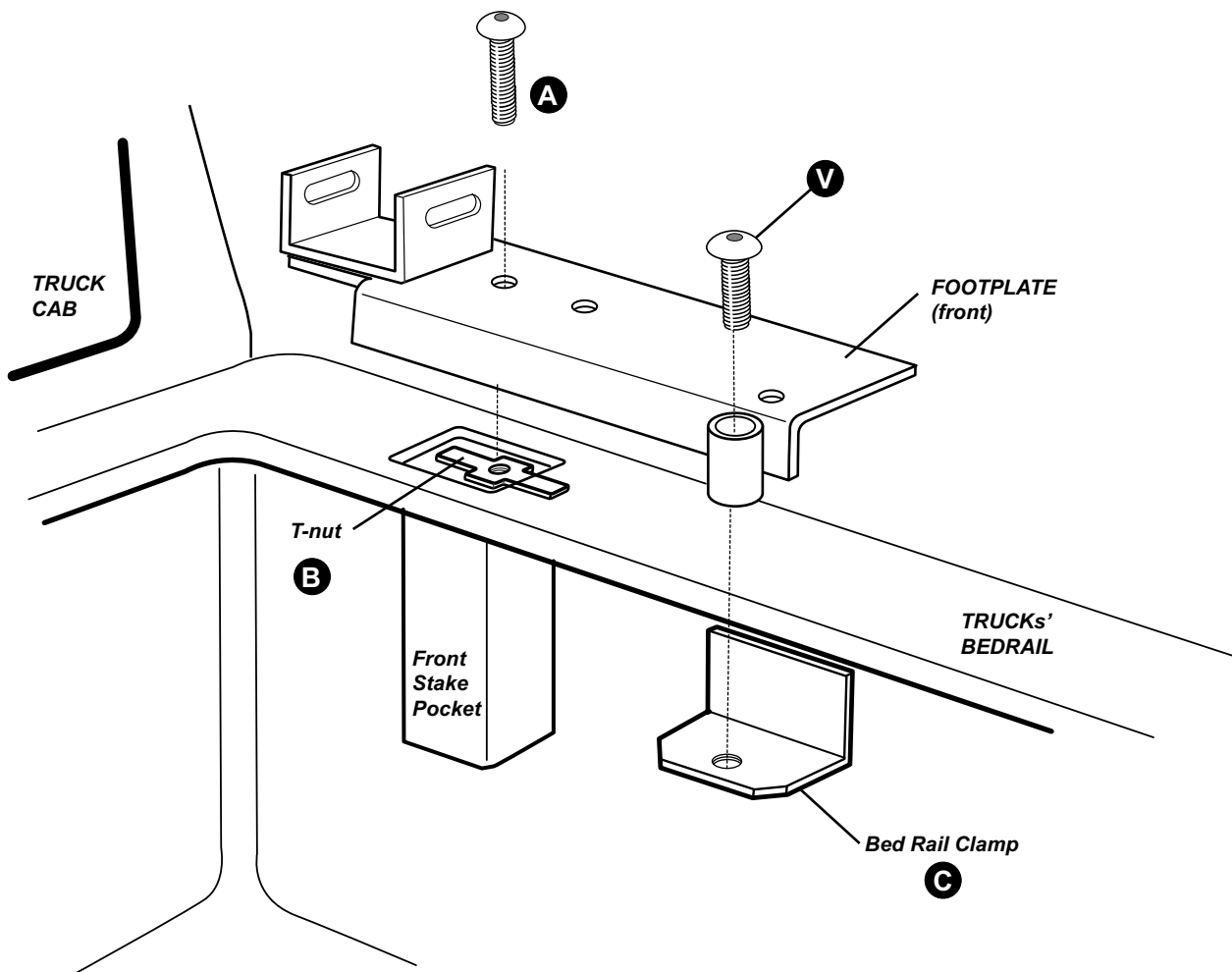
#2= Loosely attach REAR FOOTPLATES to REAR LEGS (as shown) snug only

08
09

STEP 7

#1= Position FRONT FOOTPLATES on the truck bedrail, as far forward as possible. Determine which pre-drilled hole (if any) falls over the stake pocket. If none of the pre-drilled holes fall over the stake pocket, mark and drill a hole in the foot plate that is approximately over the center of the stake pocket. Put bolt **A** through FOOTPLATE and start T Nut **B** as shown. Maneuver T Nut **B** inside the stake pocket, push the FOOTPLATE forward against the bulkhead, and tighten the T nut up against the underside of the truck bed rail. Secure the rear of the front FOOTPLATE to the bedrail using Bolt **V** and Bed Rail Clamp **C** as shown.

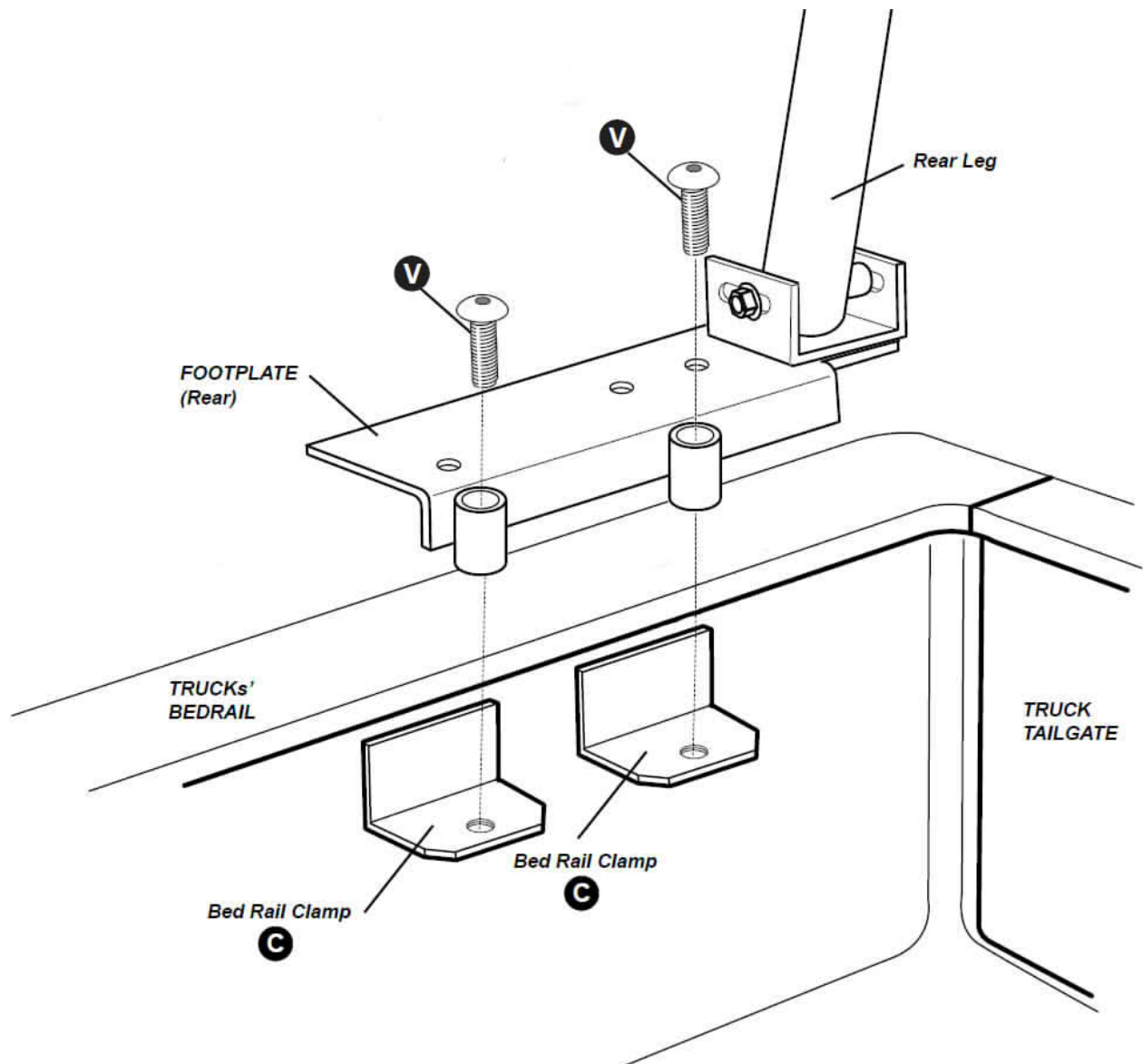
Note: If you prefer to mount the FOOTPLATES by drilling through the truck bedrail, locate the FOOTPLATES as per above, and attach using included fasteners **D**, **U**, and **R**. We recommend using the pre-drilled hole at the rear of the FOOTPLATES. You will have to locate and drill a second hole in the FOOTPLATE, get as close to the leg as possible. Be sure you can access the nut.



STEP 8

#1= Lift the rack up onto the truck bedrail. Loosely attach the front legs to the secured FRONT FOOTPLATES as shown in **STEP 7**. Position the REAR FOOTPLATES against the bedrail. Attach the REAR FOOTPLATES to the truck bedrail using bedrail clamps as shown in the illustration.

Note: If you prefer to mount the FOOTPLATES by drilling 3/8" holes through the truck bedrail, locate the FOOTPLATES as per above, and attach using included fasteners **V**, **U**, and **R**. We recommend using the pre-drilled hole at the rear of the FOOTPLATES. You will have to locate and drill a second 3/8" hole in the FOOTPLATE, as close to the leg as possible.



STEP 9

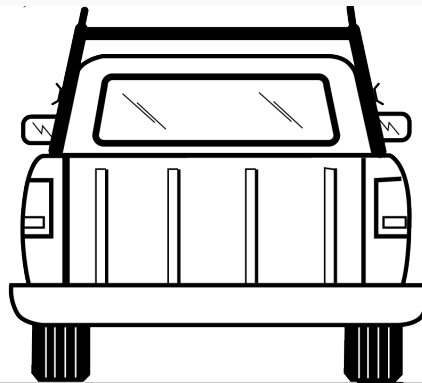
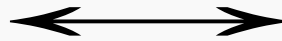
#1= Tighten down **ALL NUTS AND BOLTS**, except **LEG FOOTPLATES** and **CENTER CROSS BAR**. **C**
DO NOT over tighten on double wall bed construction, as this may deform the sheet metal of the pickup bed!

#2= Center **RACK** over bed and tighten **FRONT MOUNT BOLTS**.

IMPORTANT

#3= **BEFORE** tightening the **REAR FOOTPLATE MOUNT BOLTS**, you must align the lock pins **J** in the tube holes that they go through. **WITH THE PINS THROUGH THE TUBES, GRAB THE REAR TAKE OUT BAR AND SLIDE IT HARD FROM LEFT TO RIGHT ABOUT 10 TIMES.** This will accomplish the alignment. **MAKE SURE THE PINS SLIDE IN AND OUT EASILY BEFORE TIGHTENING THE REAR MOUNT PLATE BOLTS.** When tightening the bolts, make sure that the rear leg does not move in the slot as the bolt head is turned.

Slide Left & Right

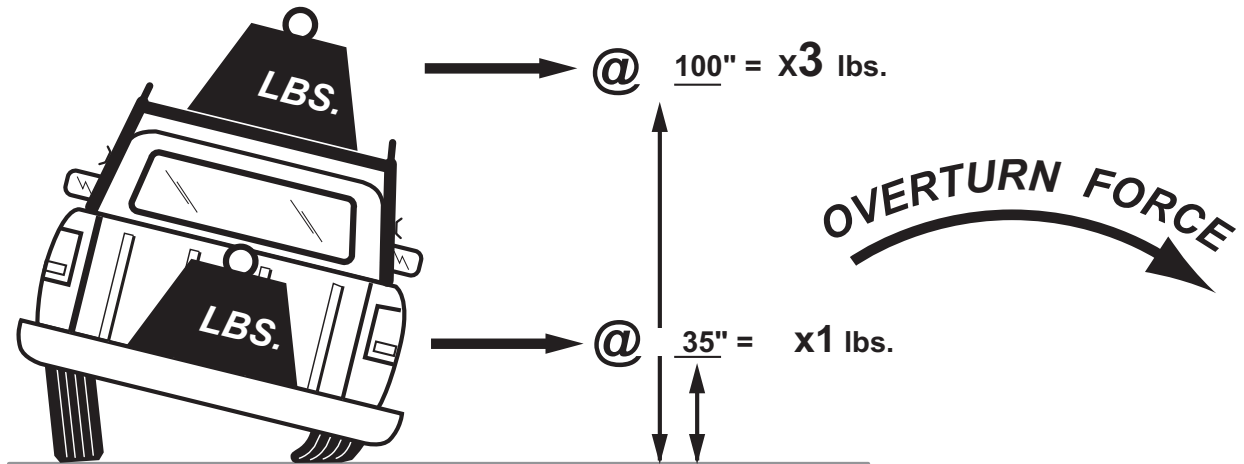


#4= Snug bolts in **CENTER CROSS BAR**. **C**

THAT'S IT!

You're ready to
 use and enjoy your
KARGO MASTER
 TRUCK RACK!

DON'T OVERLOAD YOUR VEHICLE!



WEIGHT CARRIED ABOVE THE FLOOR OF THE TRUCK BED (E.G. ON AN OVERHEAD TRUCK RACK) WILL SIGNIFICANTLY INCREASE THE VEHICLE'S TENDENCY TO OVERTURN. ALWAYS KEEP HEAVY LOADS EVENLY DISTRIBUTED AND AS LOW AS POSSIBLE. IT IS IMPORTANT TO NOTE THAT THE KARGO MASTER RACK LOAD BEARING CAPACITY OF 1700 LBS. MAY BE GREATER THAN YOUR TRUCK'S GAWR OR GVWR CAPACITY, AND IS PROBABLY GREATER THAN THE WEIGHT THAT CAN BE SAFELY CARRIED OVERHEAD. RETIGHTEN ALL BOLTS AFTER FIRST USE, PERIODICALLY CHECK BOLTS FOR TIGHTNESS.