
KARGO MASTER®

WE PUT EVERYTHING WITHIN REACH.

Instruction Guide

409TD



*PLEASE READ ALL INSTRUCTIONS AND WARNINGS PRIOR TO ASSEMBLING,
INSTALLING, AND USING THIS PRODUCT*

Warning



Always check for wires, fuel tanks and lines, brake lines and other important vehicle functionality items prior to drilling and installing all products.

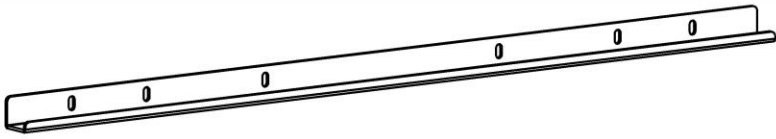
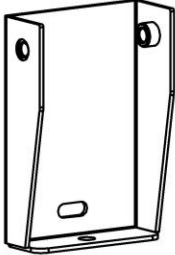
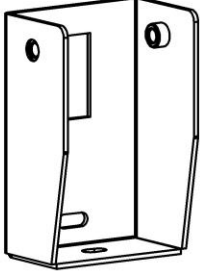


Tools Needed

13mm Wrench and Socket	1/2" Wrench and Socket
5mm Allen Hex	9/16" Wrench and Socket

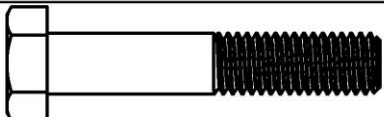
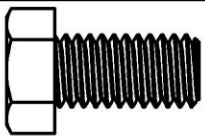

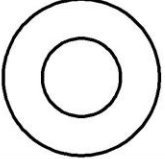
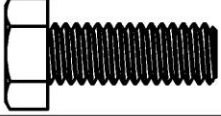

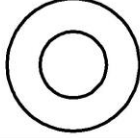


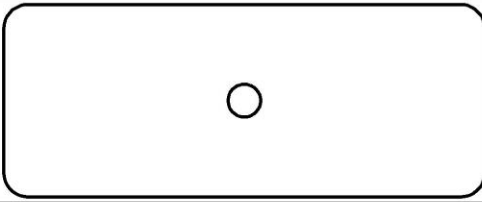

Before You Begin

- Read ALL instructions prior to installation.
 - Mount locations will vary based on van.
 - Be sure to put sealant around exposed threads in roof. Seal between the roof and the rubber pad. Apply some sealant on the threads of all bolts going into the roof.
-

Parts

ITEM NO.		PART NUMBER	DESCRIPTION	QTY.
A		4A901-10-001	Front Rail	2
B		13-03105	Tall Foot	2
C		4090T-10-R2	Large Foot	2
D		4A9ST-00-001	Rear Mount Bracket	2
E		T249-01	Black Nylon Block	4
		18-409TD-R2	Hardware	1

Hardware

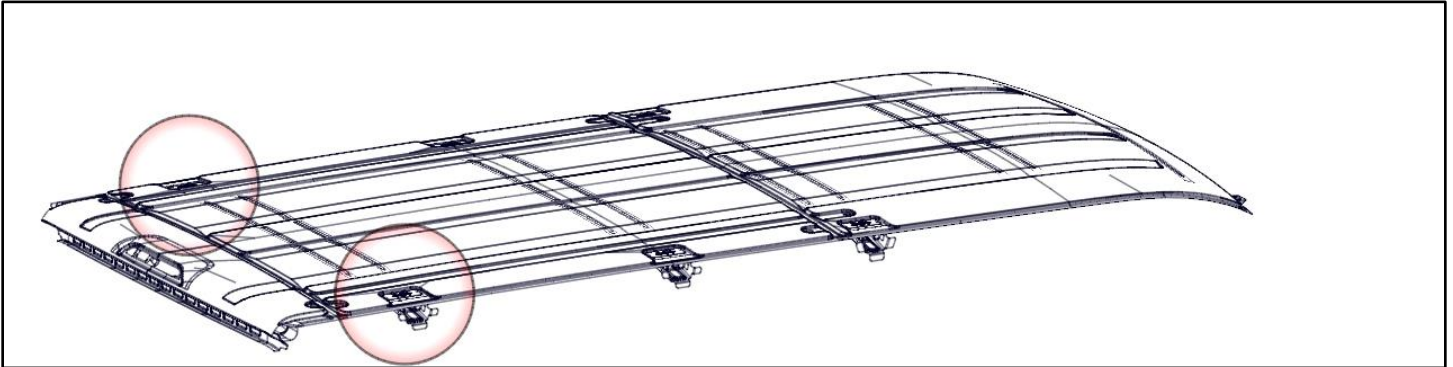
ITEM NO.	TO SCALE	PART NUMBER	DESCRIPTION	QTY.
1		95327A569	M8x1.25 x 45mm Hex Head	4
2		92865A622	3/8" x 3/4" Hex Head	8
3		91102A760	3/8" Split Lock Washer	8
4		90126A031	3/8" Flat Washer	8
5		92865A582	5/16" x 7/8" Hex Head	4
6		95615A160	5/16" Nyloc	4
7		90126A030	5/16" Flat Washer	12
8		91102A755	5/16" Split Lock Washer	4
9		91263A845	M8x1.25 x 30mm Flat Head	2
10		T249-02	Rubber Scale 1:2	8
		BH-821	Sealant	1

Ford Transit (EXCLUDING High Roof Extended)

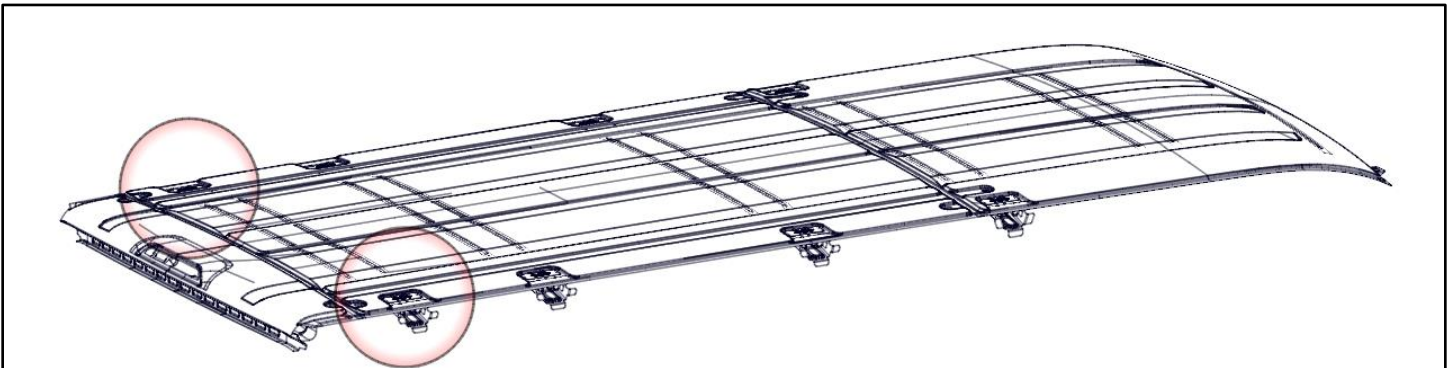
Step 1 – Rear Mounting

- Locate the threaded inserts at the rear of the van. Plugs will need to be removed.

130" Wheel Base

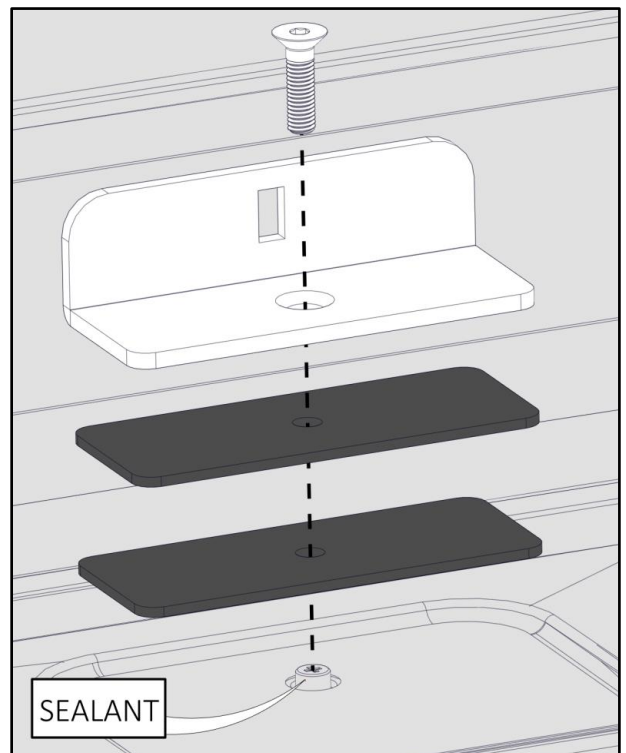


148" Wheel Base



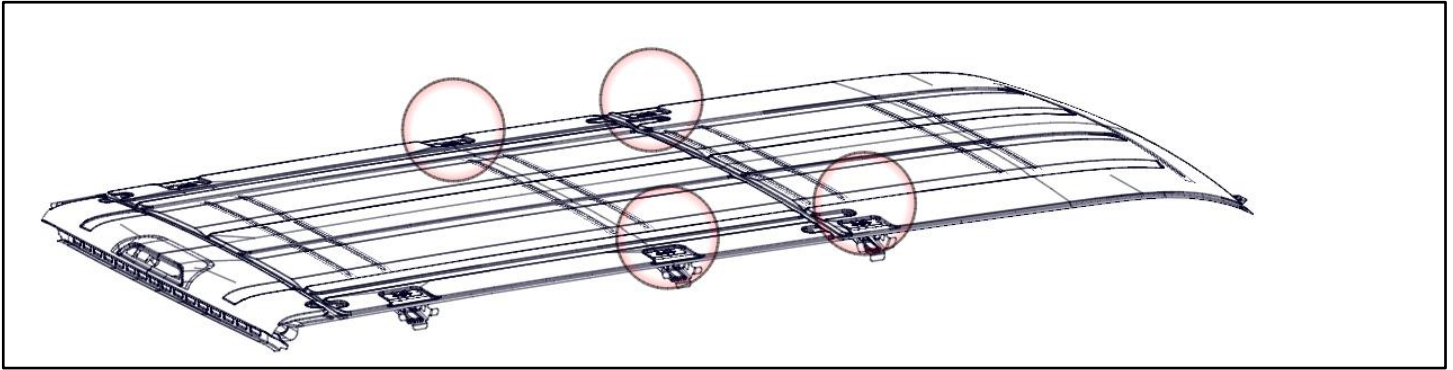
**** Place sealant around the exposed holes in the roof of the van under the rubber pads to ensure no water can leak into the cabin of the van. ****

- Attach the rear mount bracket using M8 x 30mm flat head bolts. Place two rubber pads between the bracket and the roof of the van. The bracket should be parallel with the length of the van and the flange should be to the inside.
- Tighten. (Passenger side shown)



Step 2A – Front Mount on 130" Wheel Base (Low/Mid Roof)

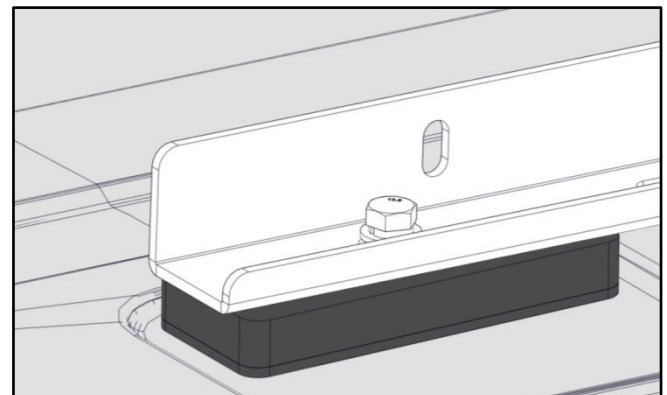
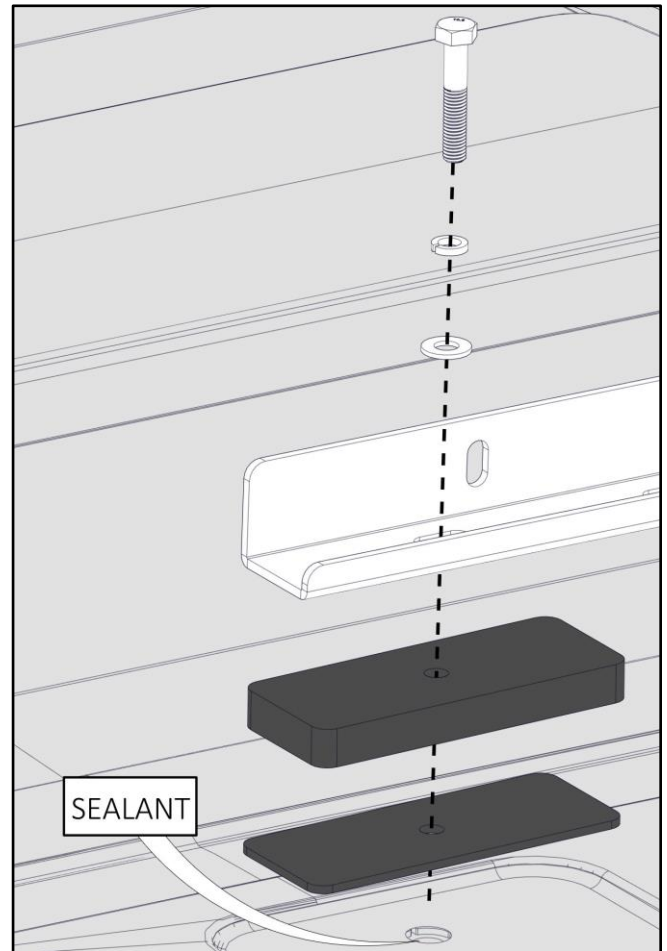
- Locate the other threaded inserts at the front of the van. Remove plugs.



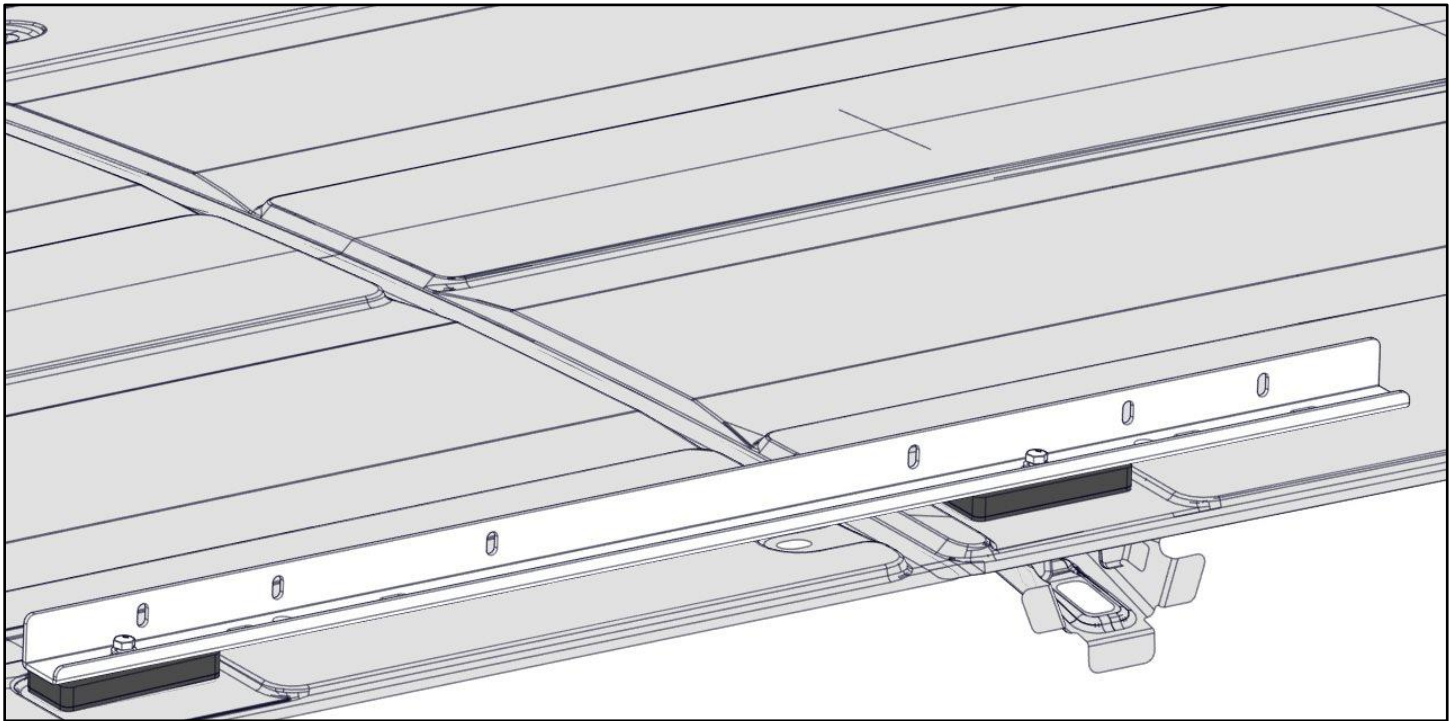
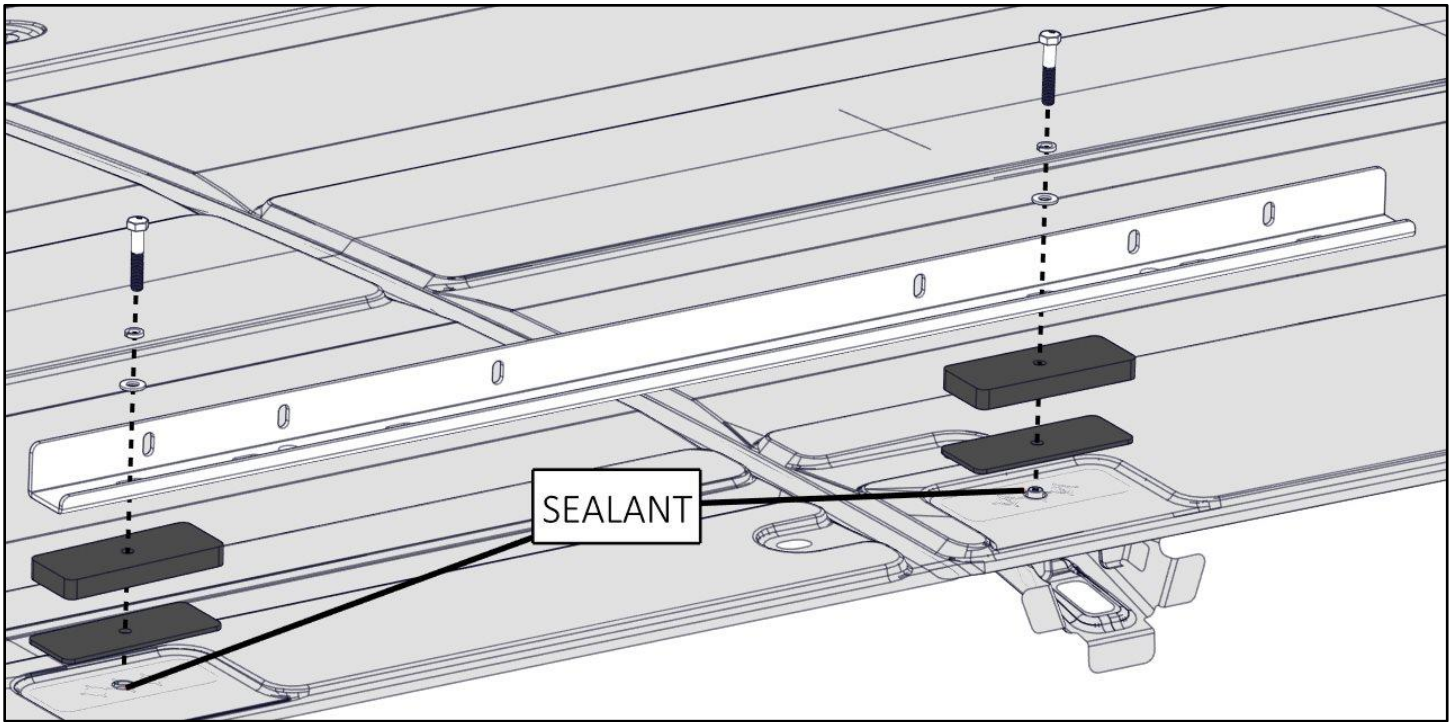
**** Place sealant around the exposed holes in the roof of the van under the rubber pads to ensure no water can leak into the cabin of the van. ****

- Place the long mount rail with the tall flange towards the center of the van on top of the rubber pad and black nylon block.
- Bolt through farthest rear slot in the rail and the corresponding front slot using M8 x 45mm bolts with lock washers and flat washers.
- The rail should be offset to the front of the van.

(Passenger side, rear most mount on the rail shown)

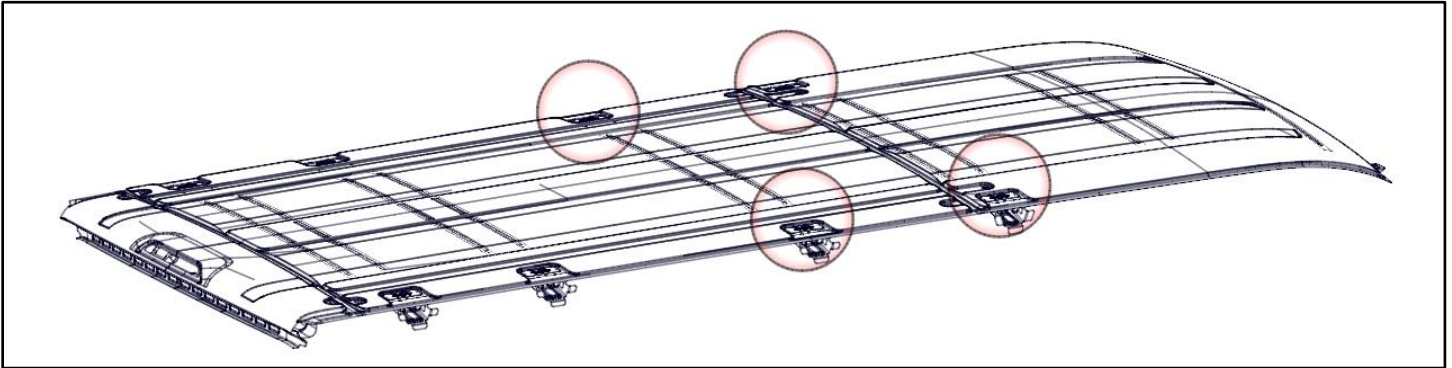


- Passenger side shown, repeat on driver side.
- Snug tighten.



Step 2B – Front Mount on 148” Wheel Base (Low/Mid/High Roof excluding Extended)

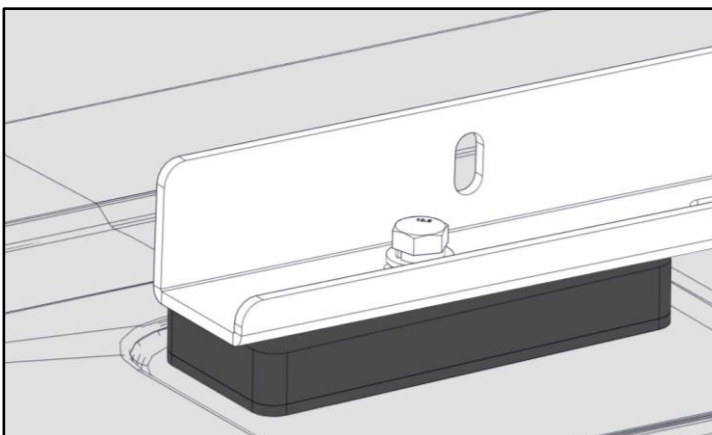
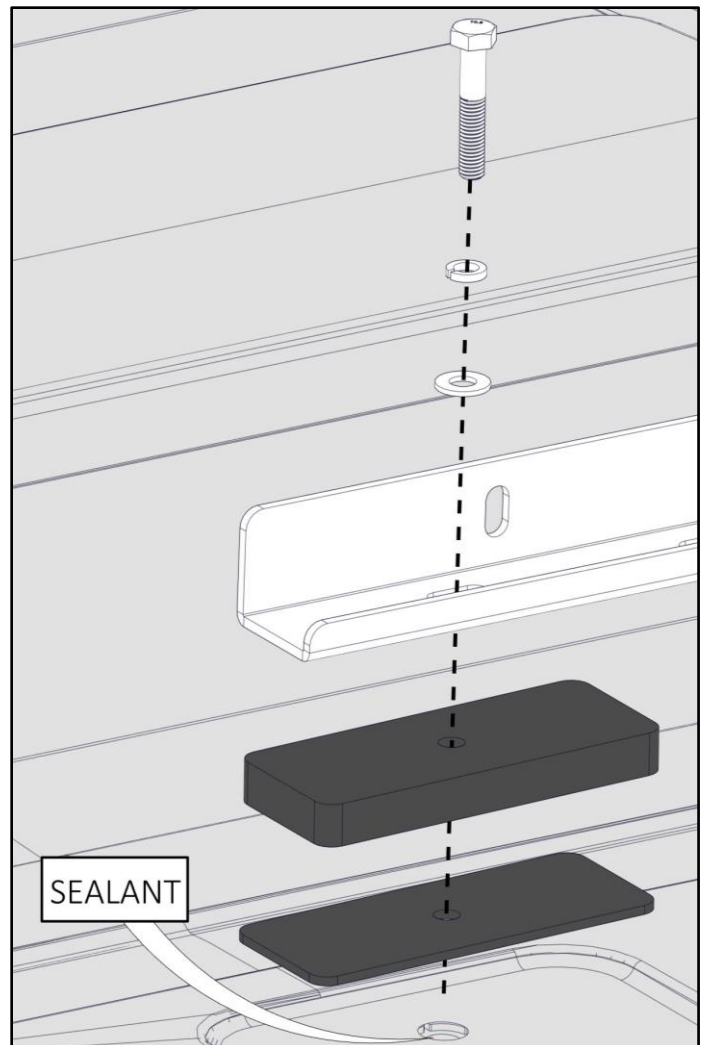
- Locate the other threaded inserts at the front of the van. Remove plugs.



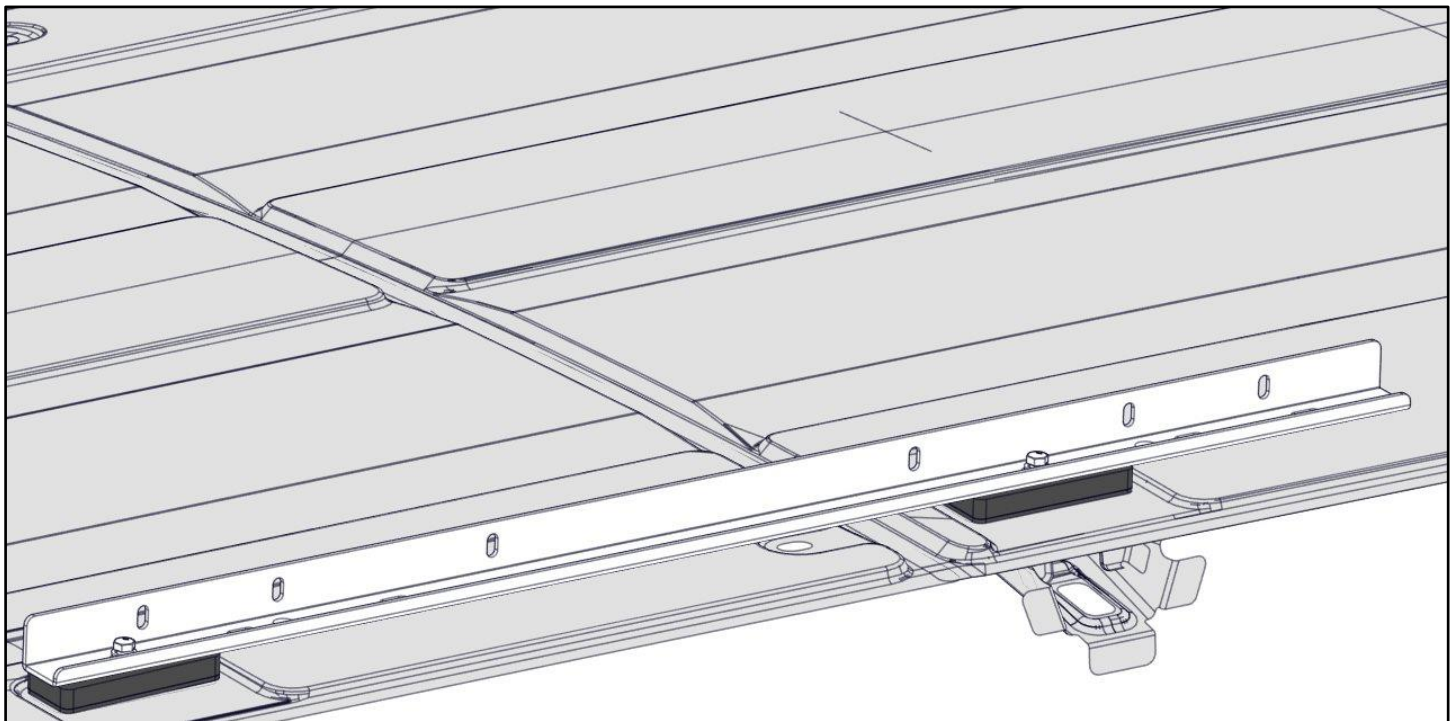
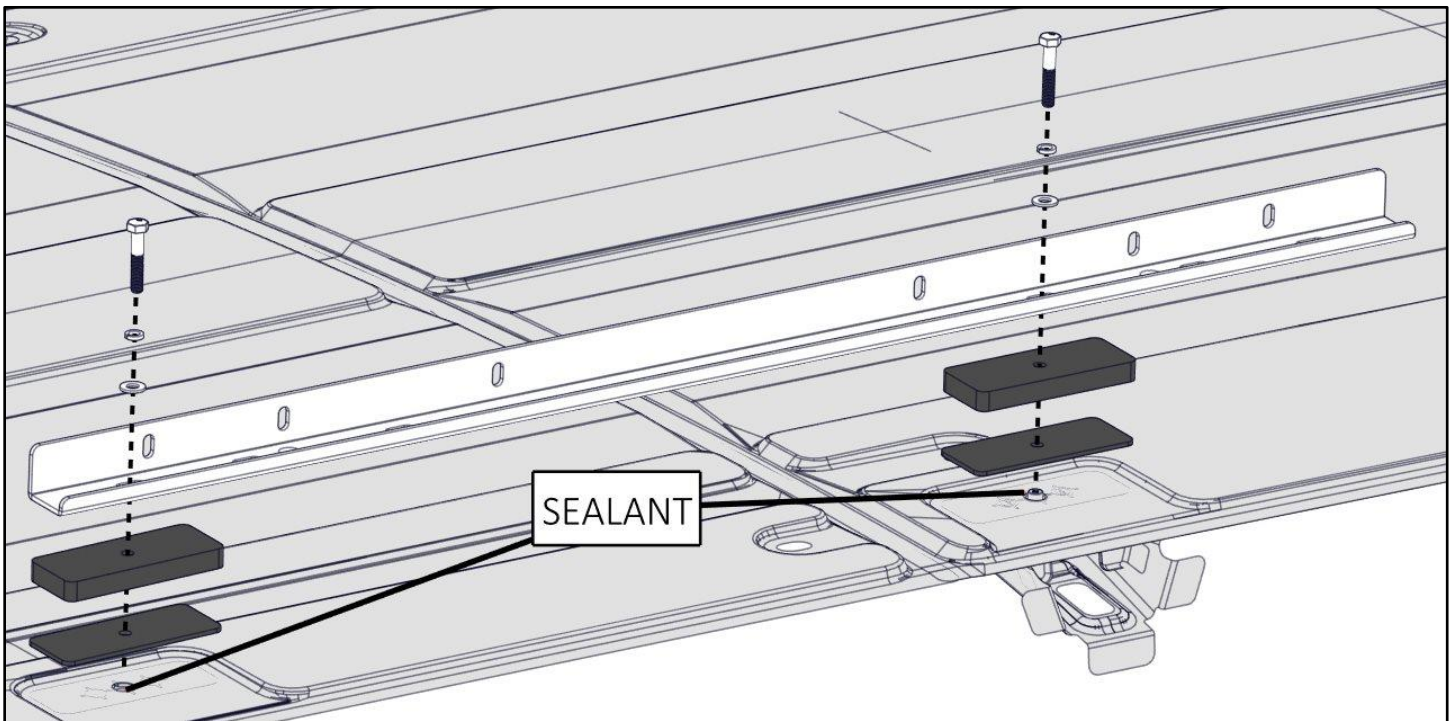
**** Place sealant around the exposed holes in the roof of the van under the rubber pads to ensure no water can leak into the cabin of the van. ****

- Place the mount rail with the tall flange towards center of the van on top of the rubber pad and black nylon block.
- Bolt through the farthest rear slot in the mount rail and corresponding front slot in the rail using M8 x 45mm bolts with lock washers and flat washers.
- The rail should be offset to the front of the van.

(Passenger side, rear most mount on the rail shown)

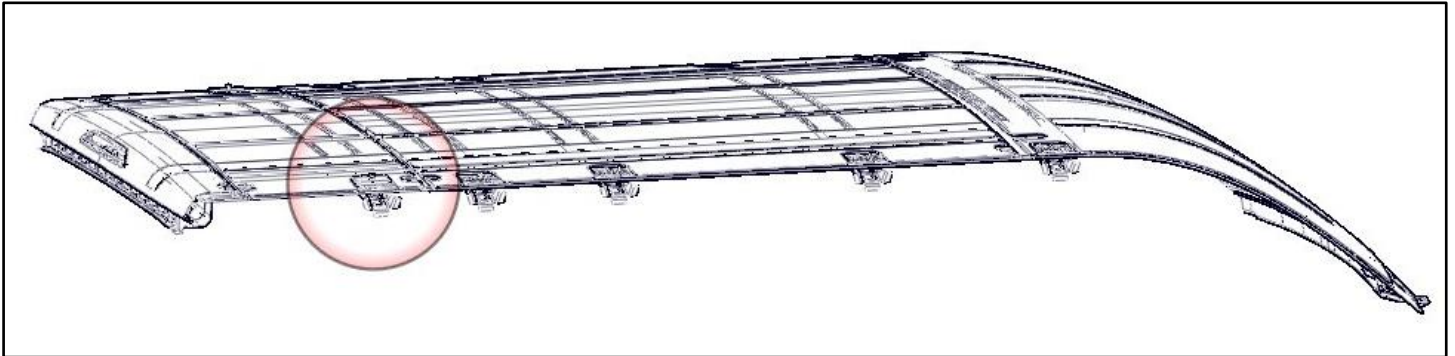


- Passenger side shown, repeat on driver side.
- Snug Tighten.



Transit 148" Wheelbase, High Roof, Extended

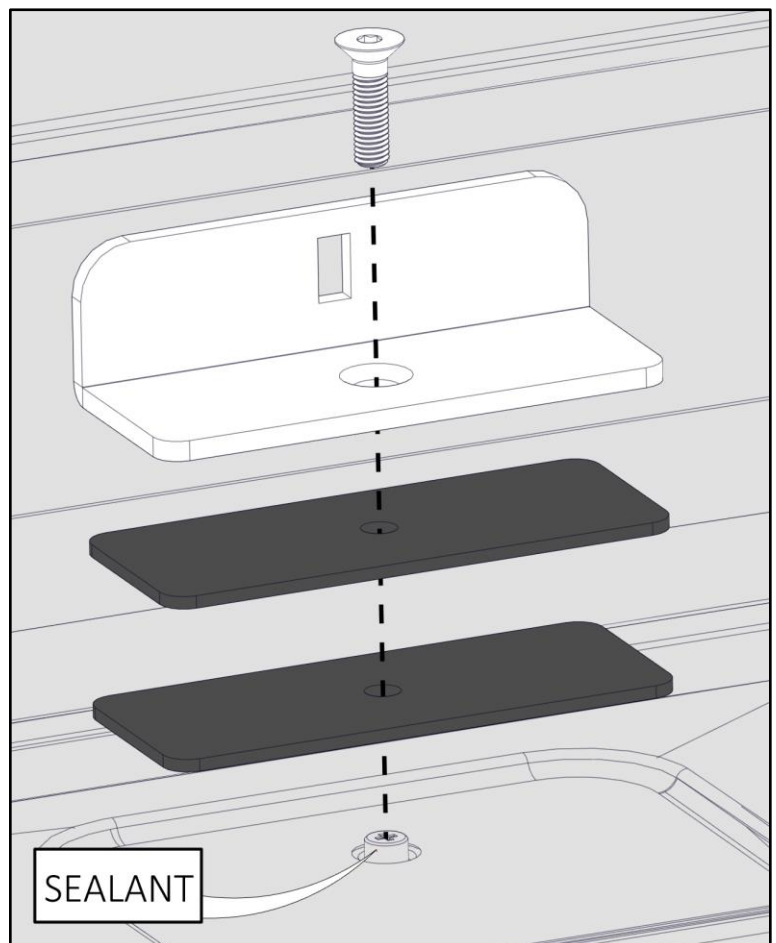
Step 3A - Extended - Rear Foot Mounting



**** Place sealant around the exposed holes in the roof of the van under the rubber pads to ensure no water can leak into the cabin of the van. ****

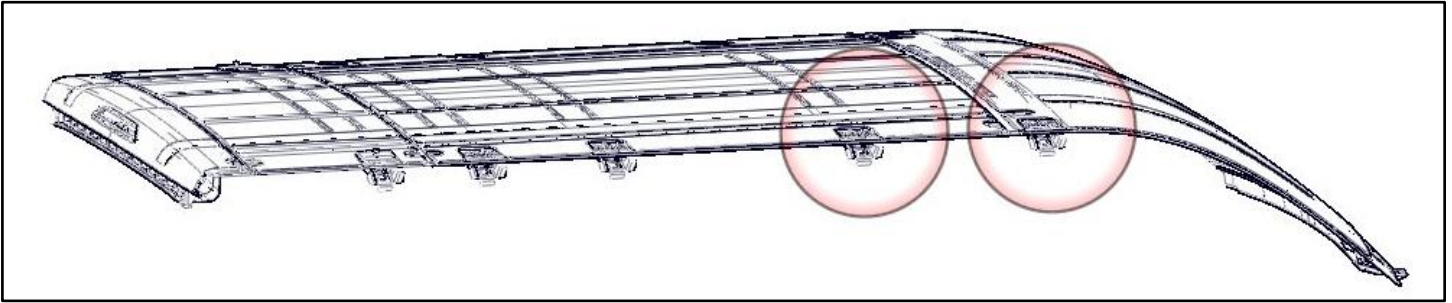
- Mount rear mount bracket using M8 x 30mm flat head bolts. Place two rubber pads between the bracket and the roof of the van. The bracket should be parallel with the length of the van and the flange should be towards the center as shown.

(Passenger side shown)



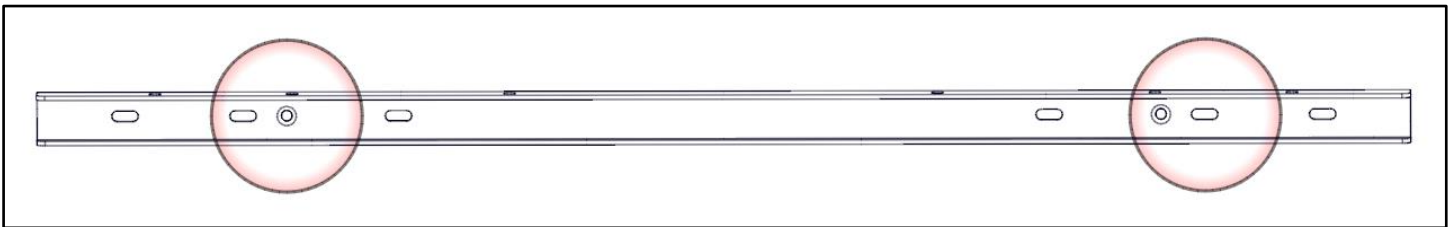
Step 3B - Extended - Front Mount

- Locate the other two threaded inserts at the front of the van. Remove plugs.

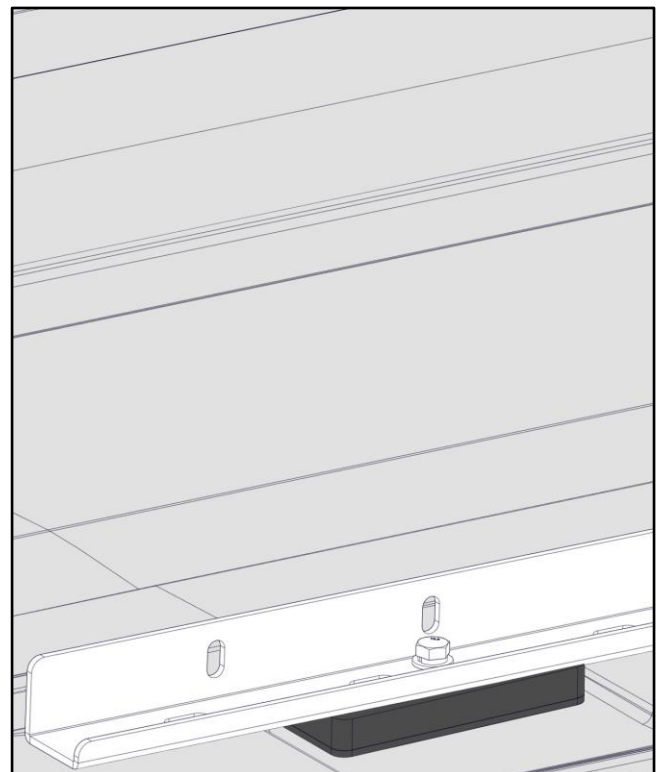
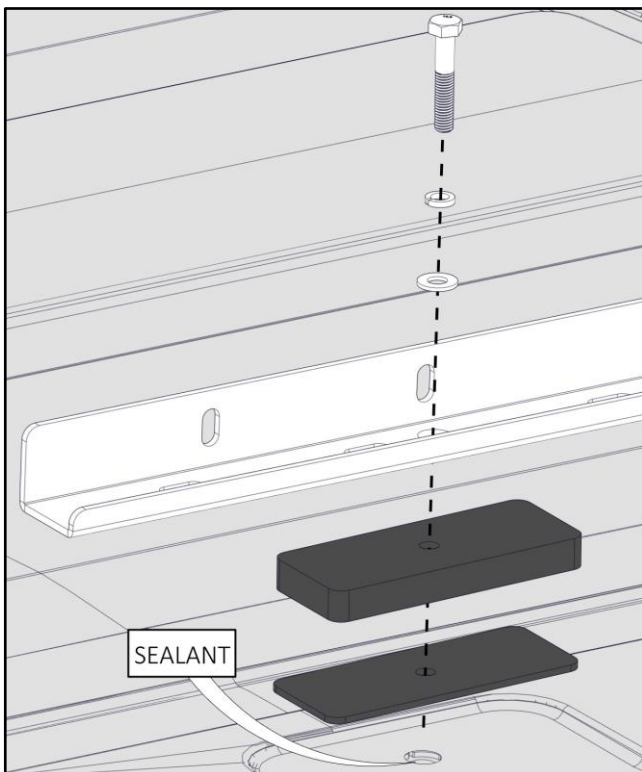


**** Place sealant around the exposed holes in the roof of the van under the rubber pads to ensure no water can leak into the cabin of the van. ****

- Place the long mount rail with the tall flange towards the center of the van.
- Bolt through the farthest rear countersunk hole and the 2nd slot from the front using M8 x 45mm bolts with lock washers and flat washers.

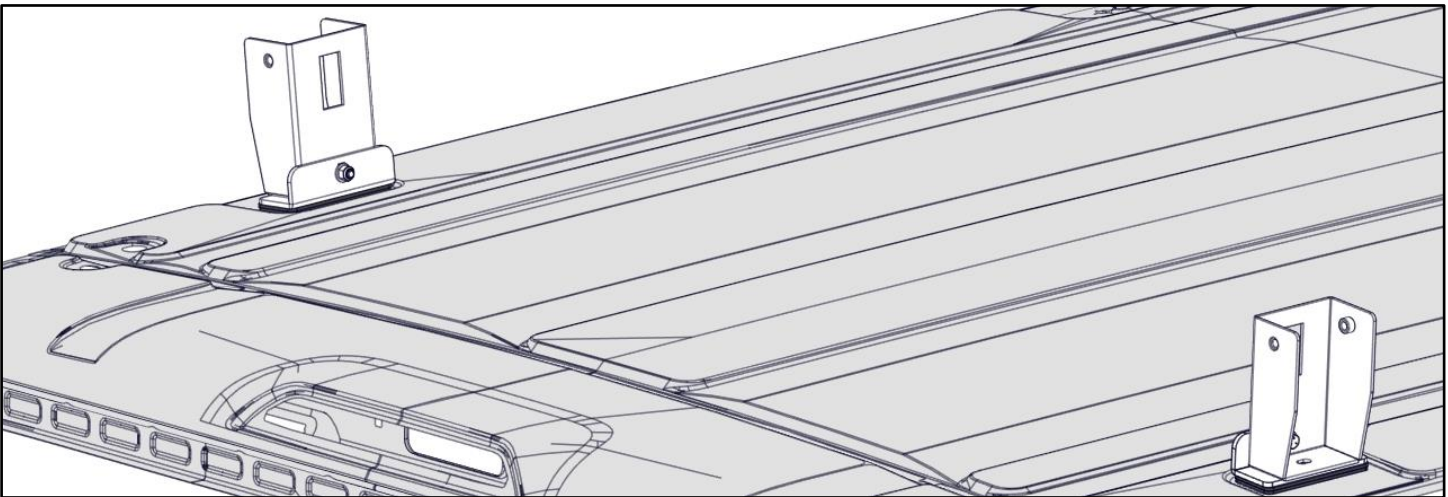
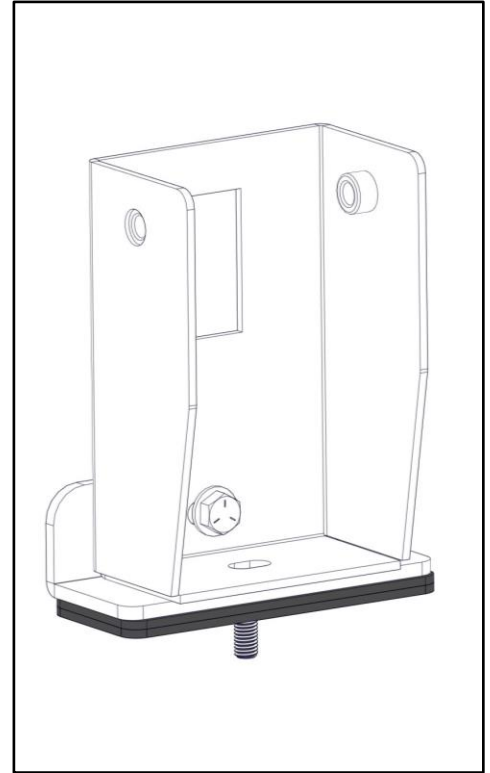
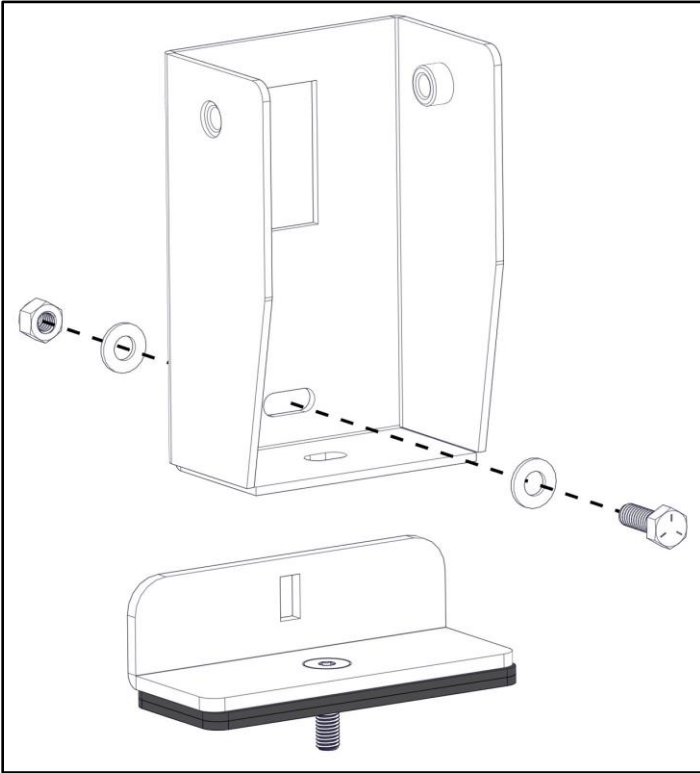


- The picture shown below is the rear most mount on the rail. (through the countersunk hole)
- Passenger side shown, repeat on driver side.
- Snug Tighten.



Step 4 – Install Rear Feet

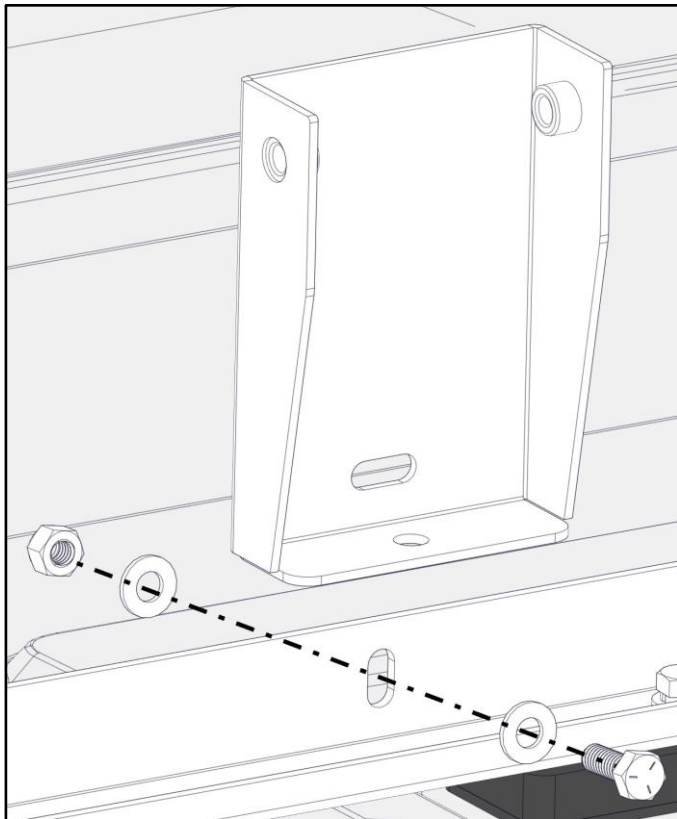
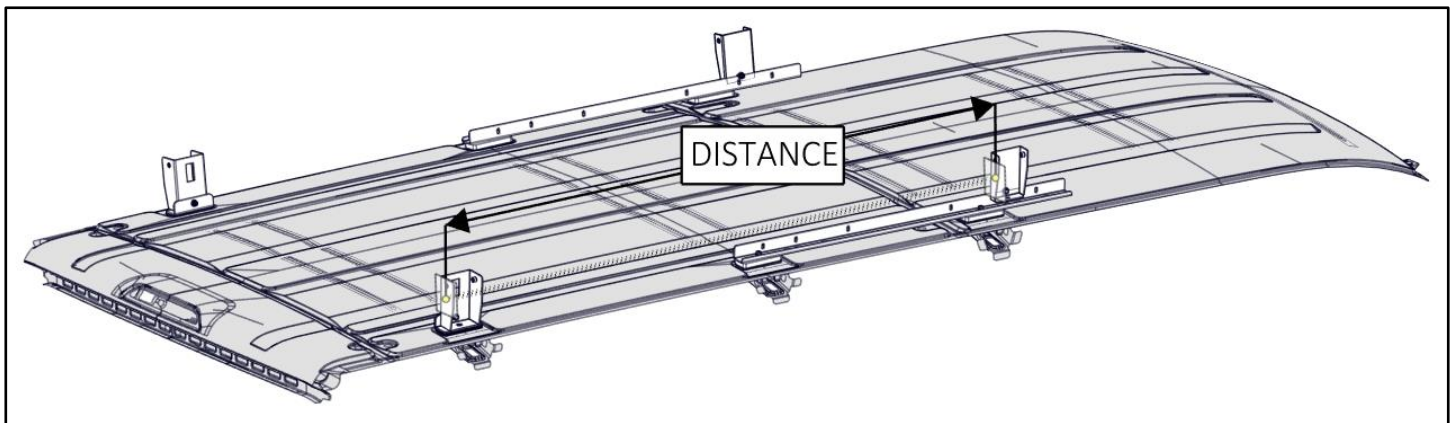
- Bolt large foot (has a cut out) to the rear mount previously installed using 5/16" x 7/8" hex head bolt, two 5/16" flat washers and a 5/16" nyloc nut. (Passenger side shown without roof and rack for clarity)



Step 5 – Install Front Feet

- Mount the tall foot to the previously installed rail using a 5/16" x 7/8" hex head bolt, two 5/16" flat washers and a 5/16" nyloc nut.
- Be sure the distance between the two feet closely matches the distance between the bows on the ladder rack being installed. The slot used on the front rail will vary from the picture below.

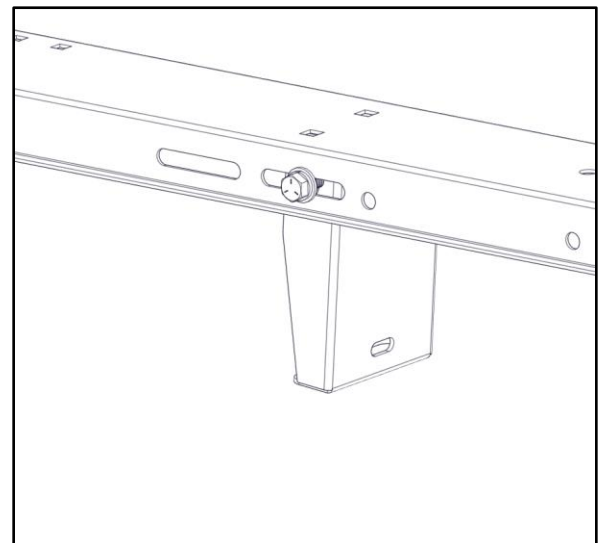
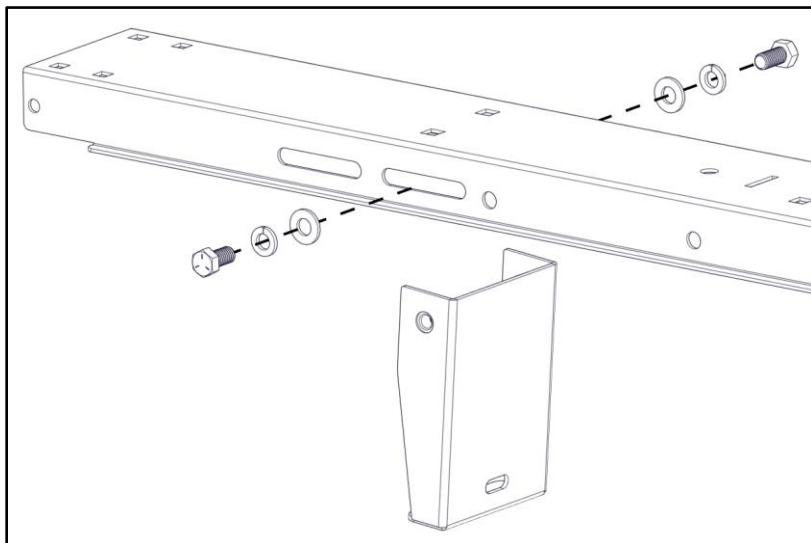
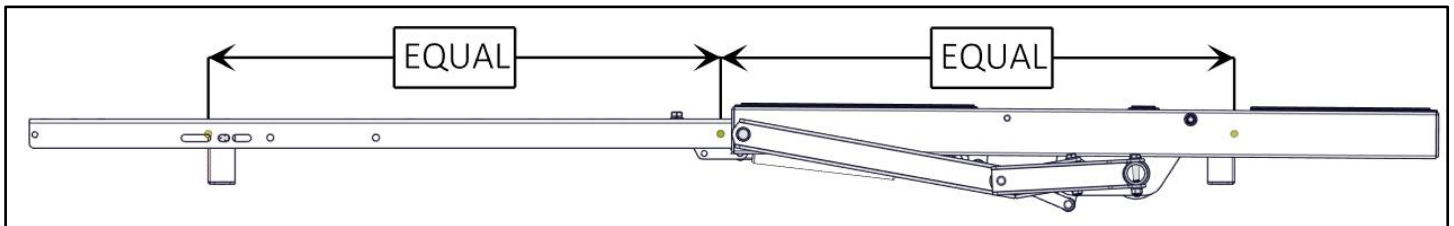
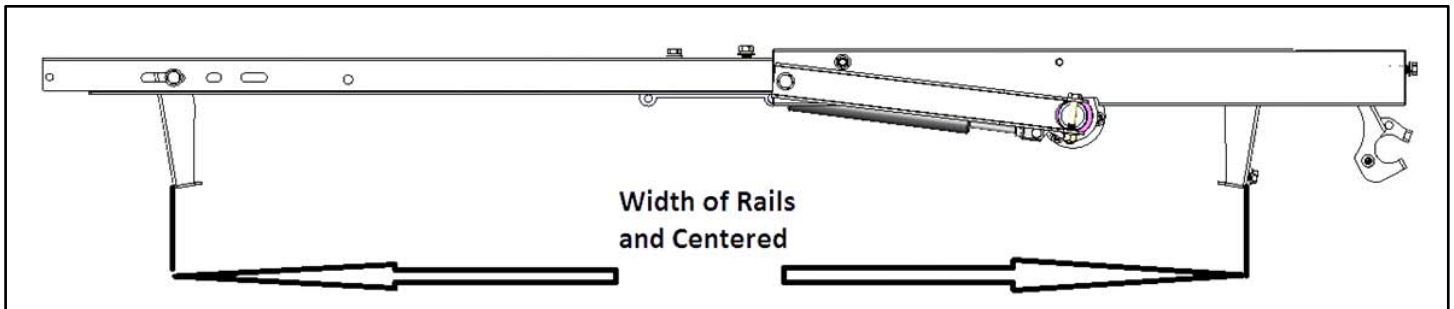
Note: One may choose to install the feet on the rack prior to installing onto the vehicle. It is the installers preference.



Step 6 – Feet to Rack

- Place assembled ladder rack on top of the previously installed feet.
- Measure width between the mounts on the van.
- Center the assembled rack on top of the installed feet. Align bow with the same slot on opposite ends.
- Bolt the feet to the bows as shown using 3/8" x 3/4" hex head bolts, 3/8" lock washers and a 3/8" flat washers.

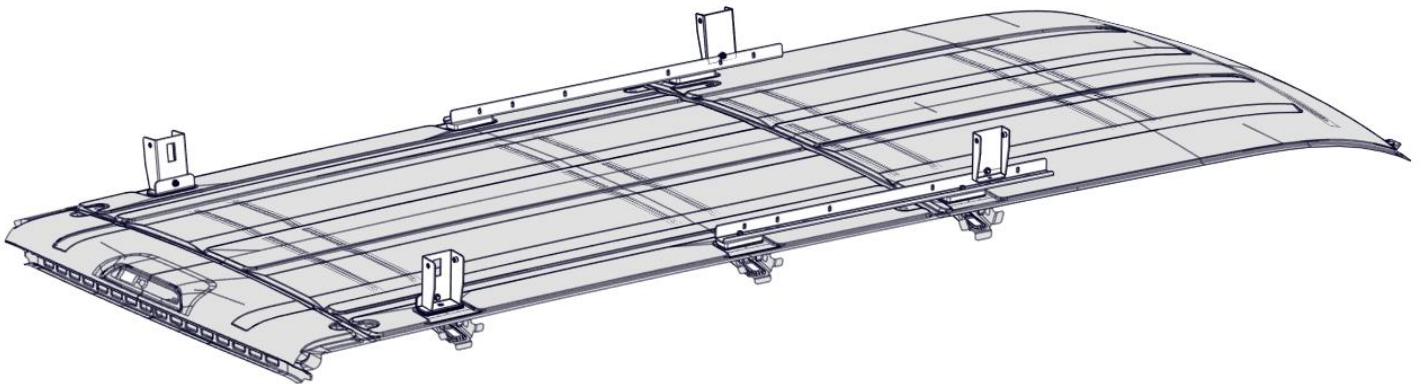
Note: One may choose to install the feet on the rack prior to installing onto the vehicle. It is the installers preference.



Go back and square the rack.

Ensure all hardware is tight. This includes into the roof, within the rack assembly and the mounting of the rack to roof mounts.

Your installation is complete.

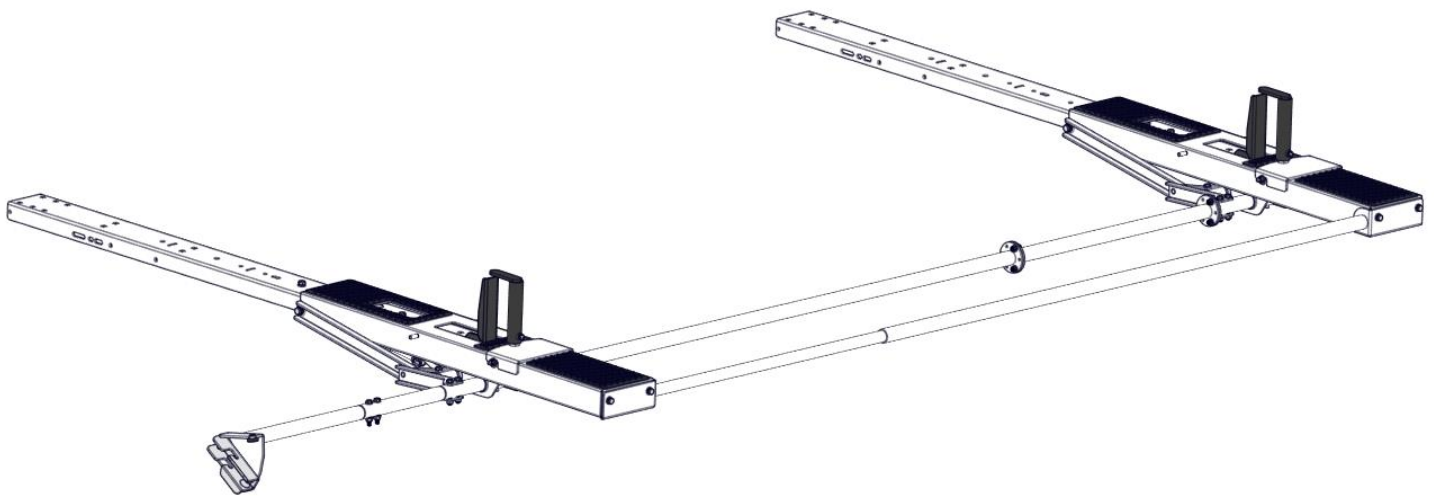


KARGO MASTER®

WE PUT EVERYTHING WITHIN REACH.

Instruction Guide

4A99H



*PLEASE READ ALL INSTRUCTIONS AND WARNINGS PRIOR TO ASSEMBLING,
INSTALLING, AND USING THIS PRODUCT*

Warning



Always check for wires, fuel tanks and lines, brake lines and other important vehicle functionality items prior to drilling and installing all products.

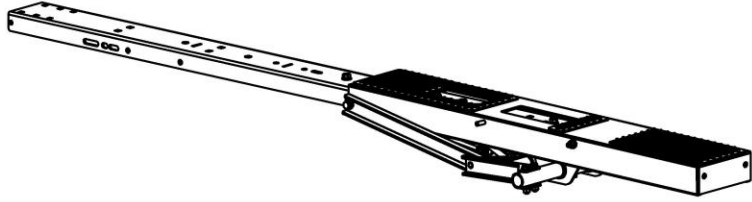
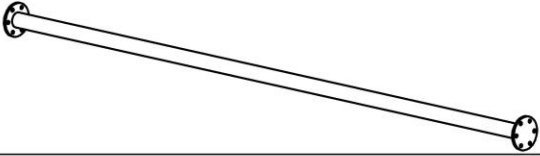
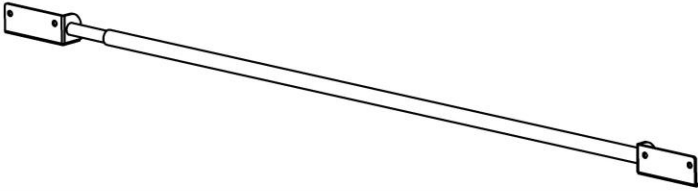
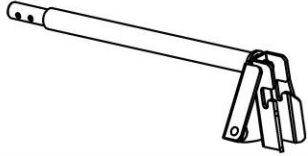
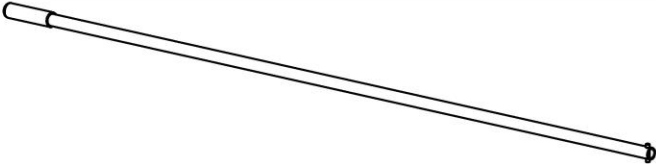
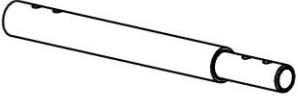
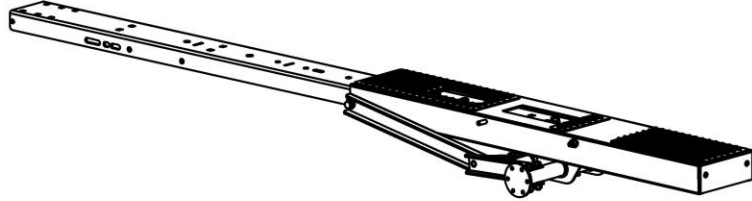
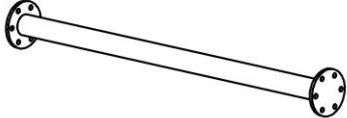
Tools Needed

3/8" Socket and Wrench	Phillips Driver
7/16" Socket and Wrench	1/2" Socket and Wrench

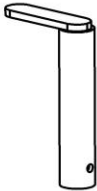
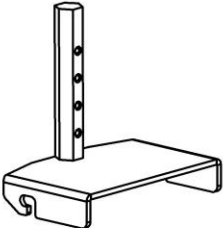

Before You Begin

- Read all instructions.
 - Have vehicle specific mounting installed on vehicle.
 - **DO NOT EXCEED MANUFACTURERS WEIGHT CAPACITY FOR ROOF.**
-

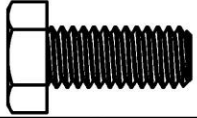
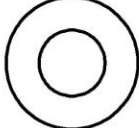
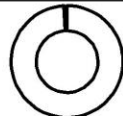
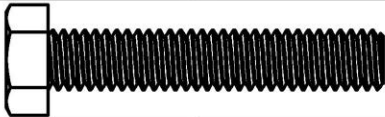

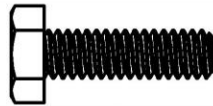
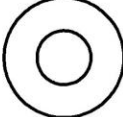

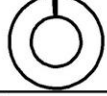


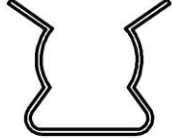

Parts 1 of 2

ITEM NO.		PART NUMBER	DESCRIPTION	QTY.
A		4A99H-Rear-1	Rear Pan Assembly	1
B		40993-24	Torque Tube	1
C		4A93L-7	End Tube Assembly	1
D		40993-43	Actuator	1
E		40993-44	Handle Assembly	1
F		40993-40-002	Acuator Extension	1
G		4A99H-Front-1	Front Pan Assembly	1
H		40993-25	Torque Tube Extension	1

Parts 2 of 2

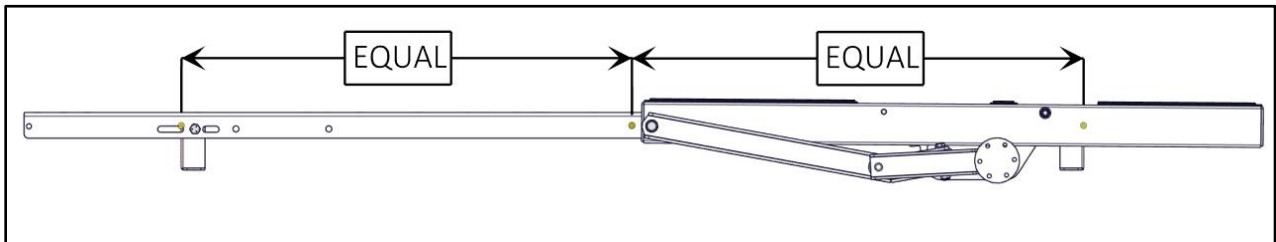
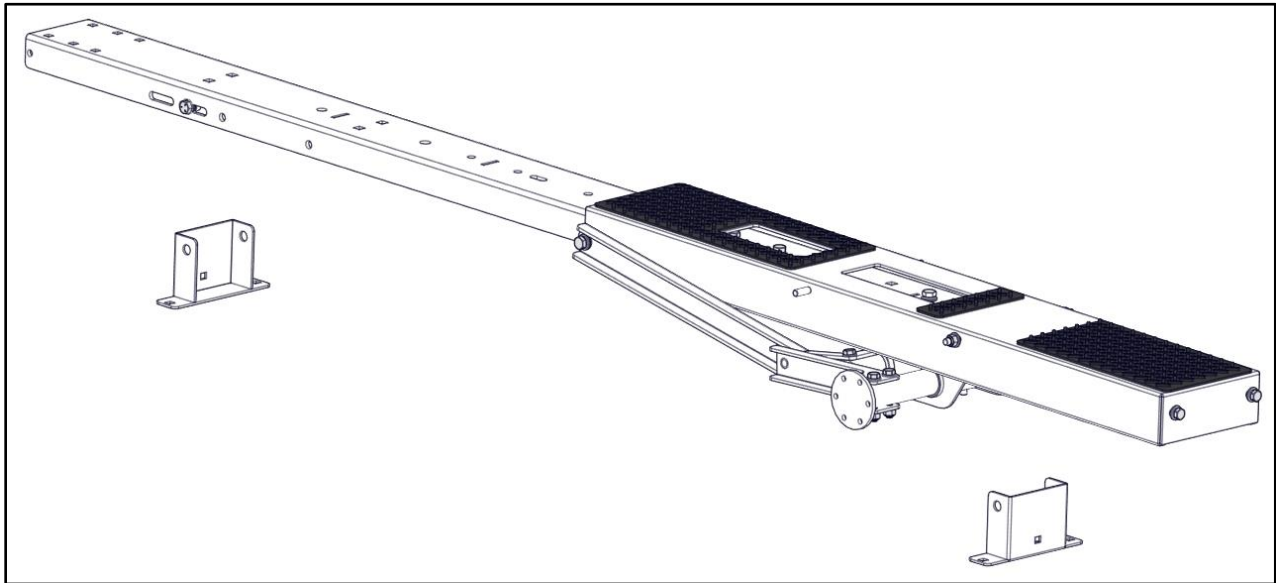
ITEM NO.		PART NUMBER	DESCRIPTION	QTY.
J		4A900-35	Ladder Hook-Top	2
K		4A900-36	Ladder Hook-Base	2
L		4A900-30-004-R3	Ladder Stop	2
		18-4A99H	HARDWARE	1

Hardware

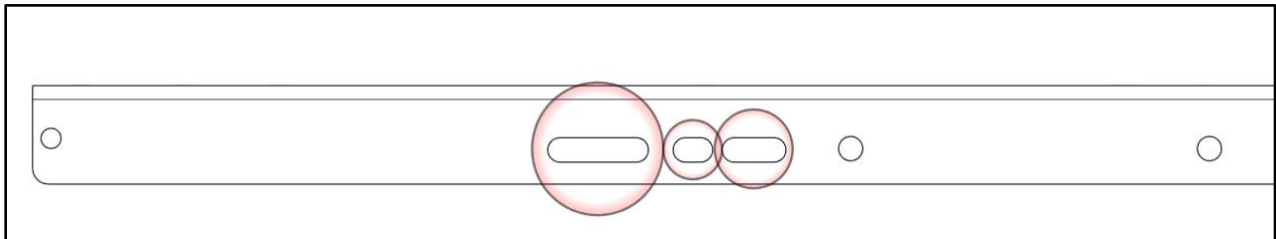
ITEM NO.	TO SCALE	PART NUMBER	DESCRIPTION	QTY.
1		91286A154	5/16"-18 x 3/4" Hex Head	4
2		90126A030	5/16" Flat Washer	8
3		91102A755	5/16" Split Lock Washer	4
4		92865A589	5/16"-18 x 1-3/4" Hex Head	2
5		95615A160	5/16"-18 Nyloc	2
6		92865A541	1/4"-20 x 7/8" Hex Head	11
7		90126A029	1/4" Flat Washer	20
8		95615A120	1/4"-20 Nyloc	9
9		91104A029	1/4" Split Lock Washer	2
10		90272A244	#10-24 x 5/8" Phillips Head	2
11		90631A011	#10-24 Nyloc	2
12		Handle Holder Clip	*not to scale*	2
		BH-821	Sealant	1

Step 1 – Place Front Bow

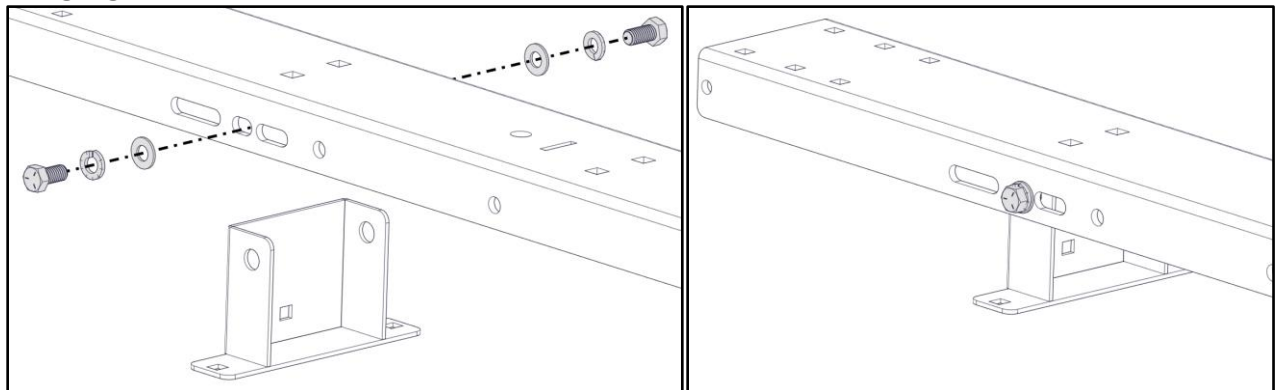
- Place the front bow on top of the installed feet. Be sure the bow is centered on the vehicle.



- The same slot, but on opposite sides of the bow will be used to attach the bow to the feet. These slots will vary based on which vehicle the ladder rack is being installed on.

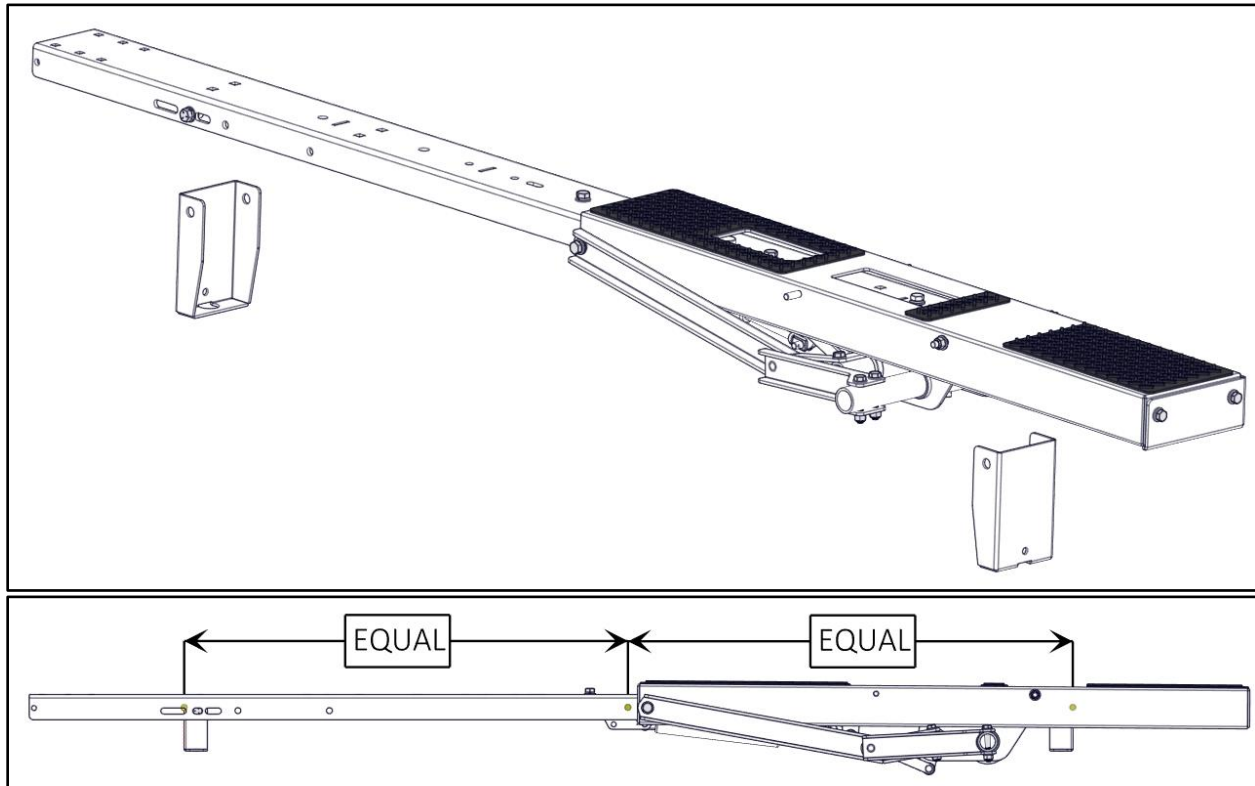


- Bolt the front bow to the feet using 3/8" x 3/4" hex head bolts, 3/8" lock washers and 3/8" flat washers that are included in the vehicle mounting kit. The ladder pan will need to be pivoted out of the way to access the mount locations on the passenger side.
- Snug tighten, but allow movement.

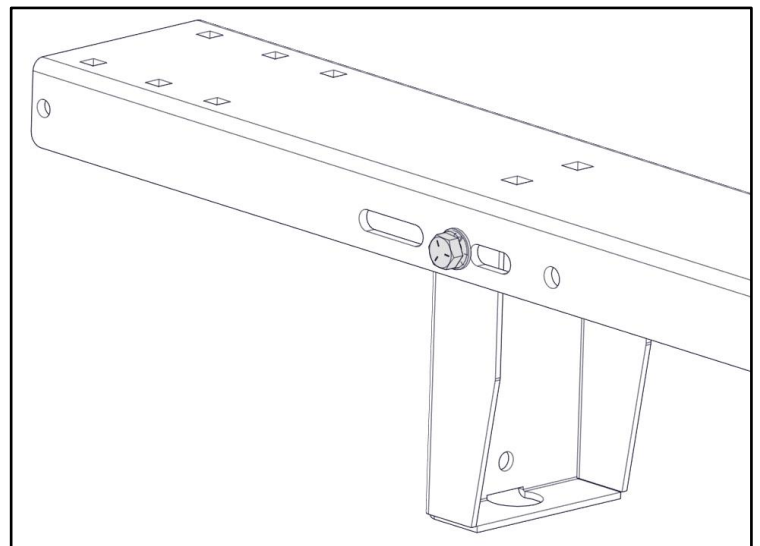
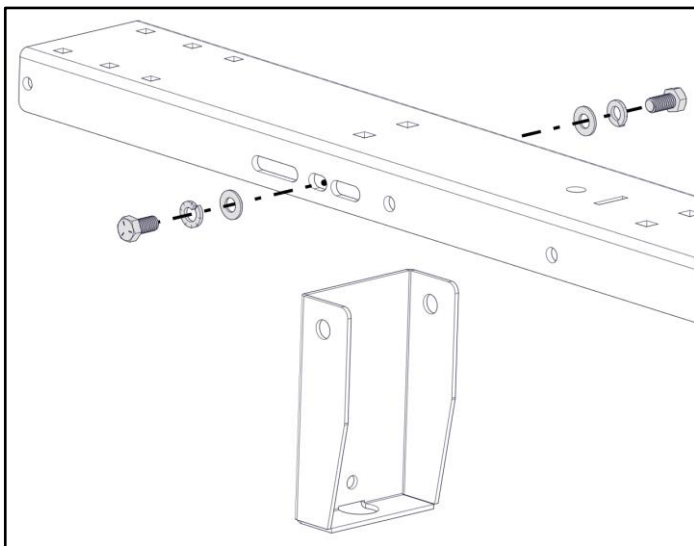


Step 2 – Place Rear Bow

- Place the rear bow on top of the installed feet. Be sure the bow is centered on the vehicle.

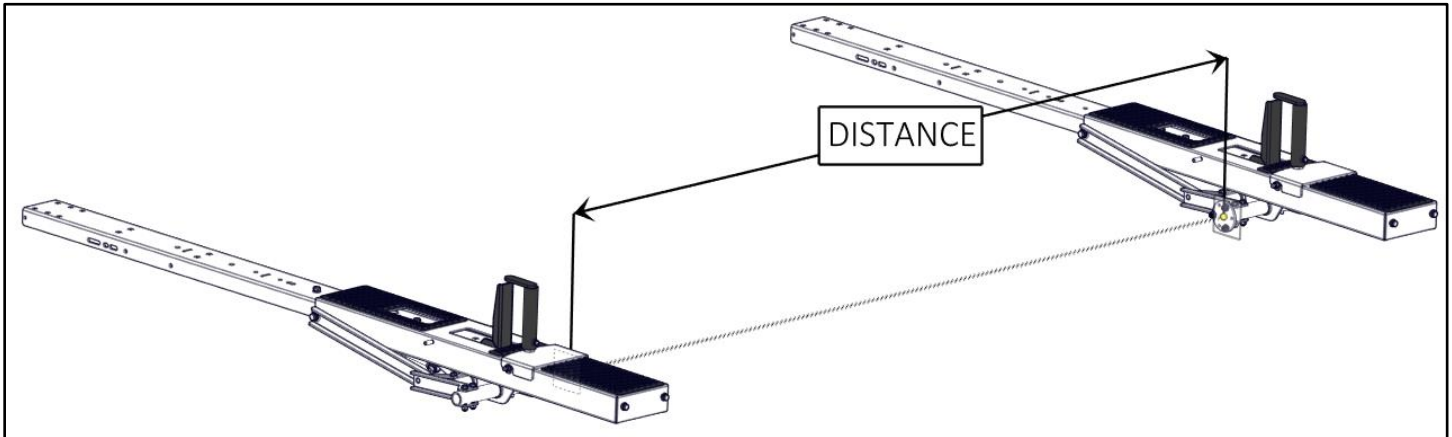


- The same slot, but on opposite sides of the bow will be used to attach the bow to the feet. These slots will vary based on which vehicle the ladder rack is being installed on.
- Bolt the rear bow to the feet using 3/8" x 3/4" hex head bolts, 3/8" lock washers and 3/8" flat washers that are included in the vehicle mounting kit. The ladder pan will need to be pivoted out of the way to access the mount locations on the passenger side.
- Snug tighten, but allow movement.



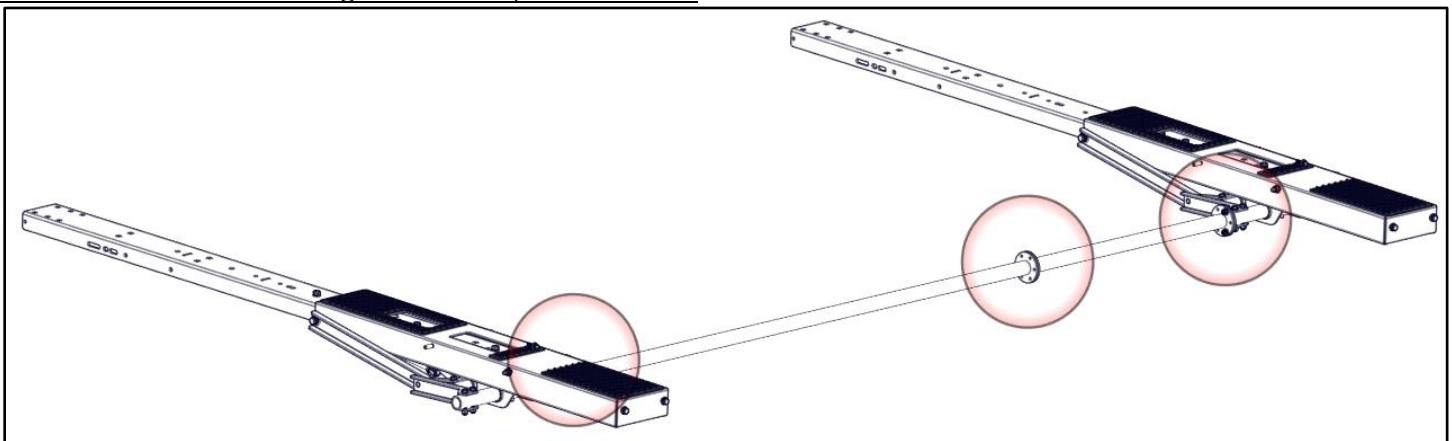
Step 3 – Install Torque Tube

- Measure the minimum distance between the front and rear bow as shown below.

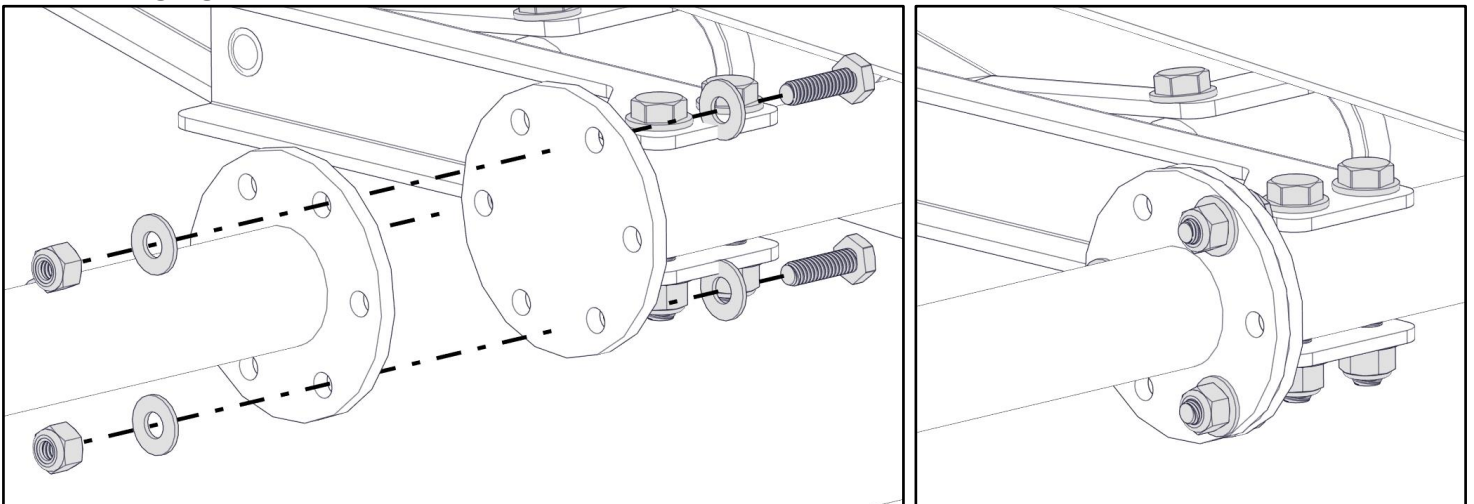


- If the distance is approximately 57", only the long torque tube will be needed. If the distance is approximately 82", the torque tube and the extension will be needed.

Note: The extension is being used in the picture below.

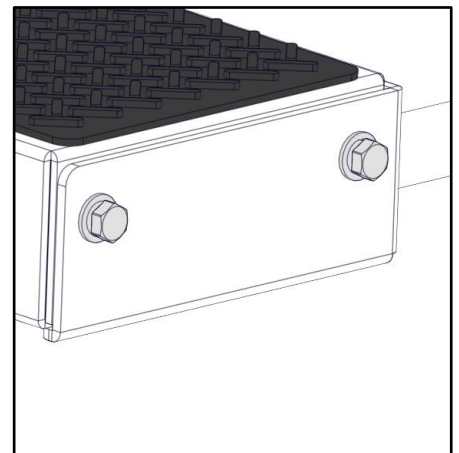
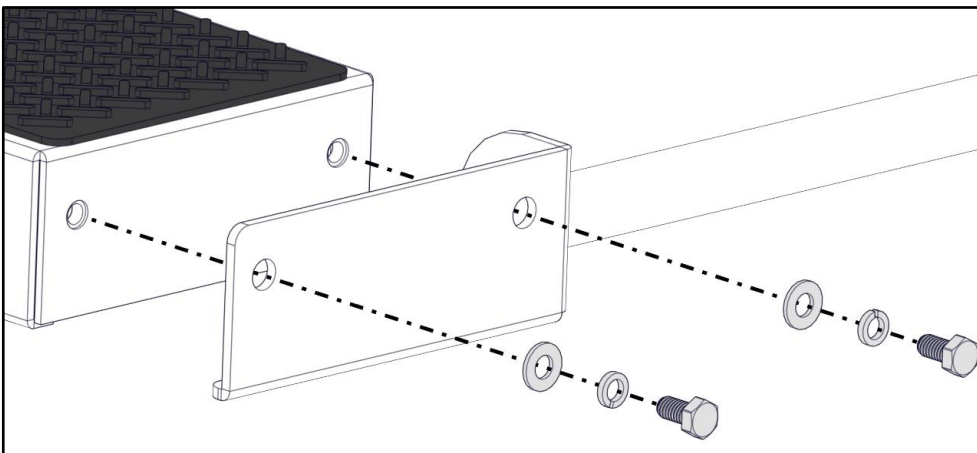
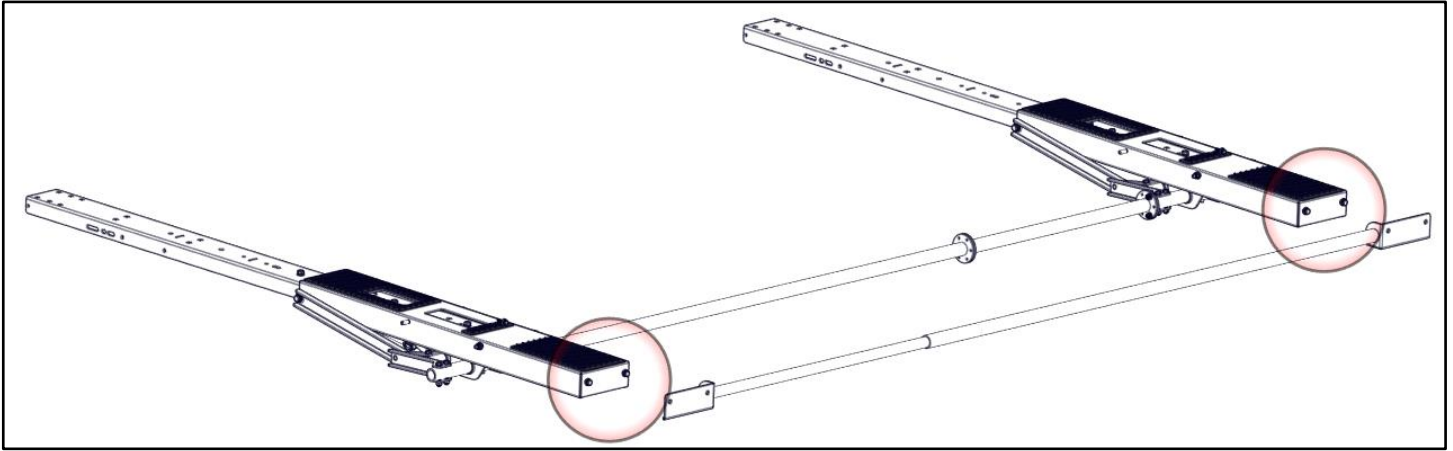


- Bolt the torque tube to the front and rear bow using 1/4" x 7/8" hex head bolts, 1/4" flat washers and 1/4" nyloc nuts. Repeat this process if the extension is being used.
- Snug tighten, but allow movement.



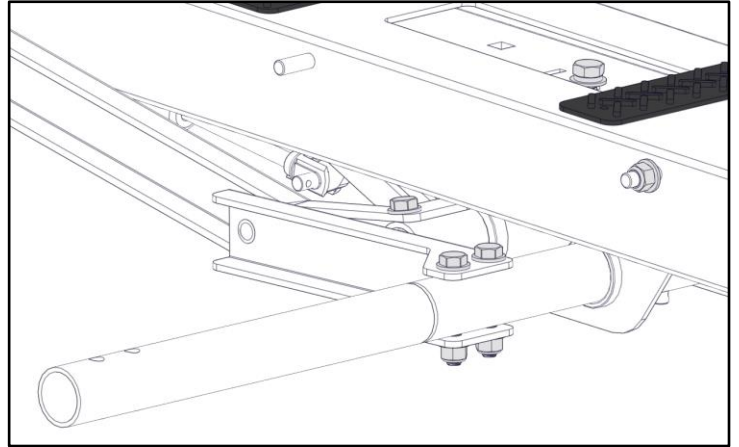
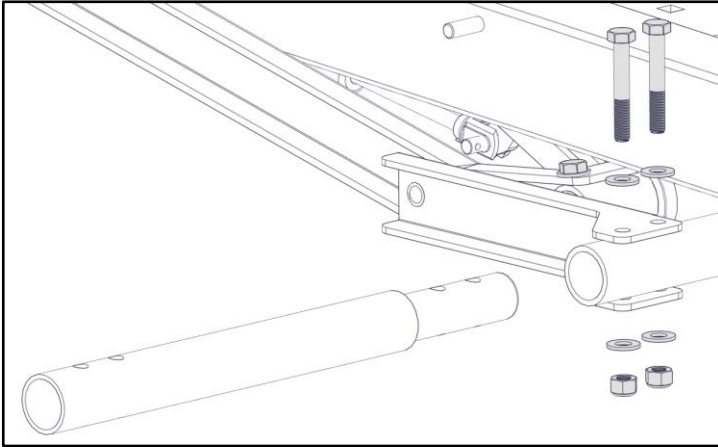
Step 4 – Install End Tube

- Bolt the end tube to the end of the pan on the front and rear bow using 5/16" x 3/4" hex head bolts, 5/16" lock washers and 5/16" flat washers.
- Snug Tighten, but allow movement.

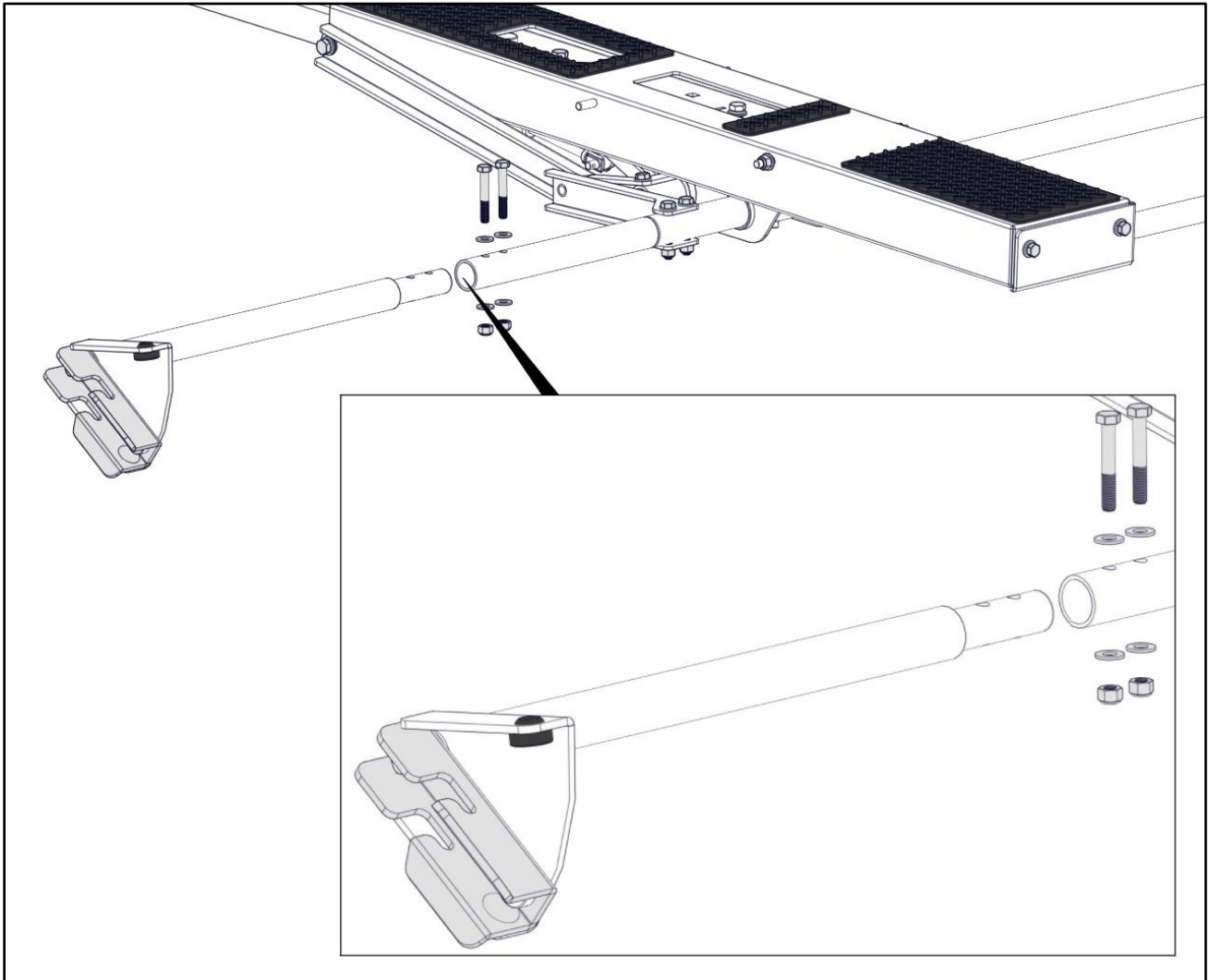


Step 5 – Install Actuator

- Remove the hardware, as shown, from the tube on the rear bow.
- Insert actuator extension into the tube and attach using the previously removed hardware.



- Insert actuator assembly into the end of the actuator extension as shown below.
- Bolt into place using two 5/16" x 1-3/4" hex head bolts, four 5/16" flat washers and two 5/16" nyloc nuts.
- Tighten.

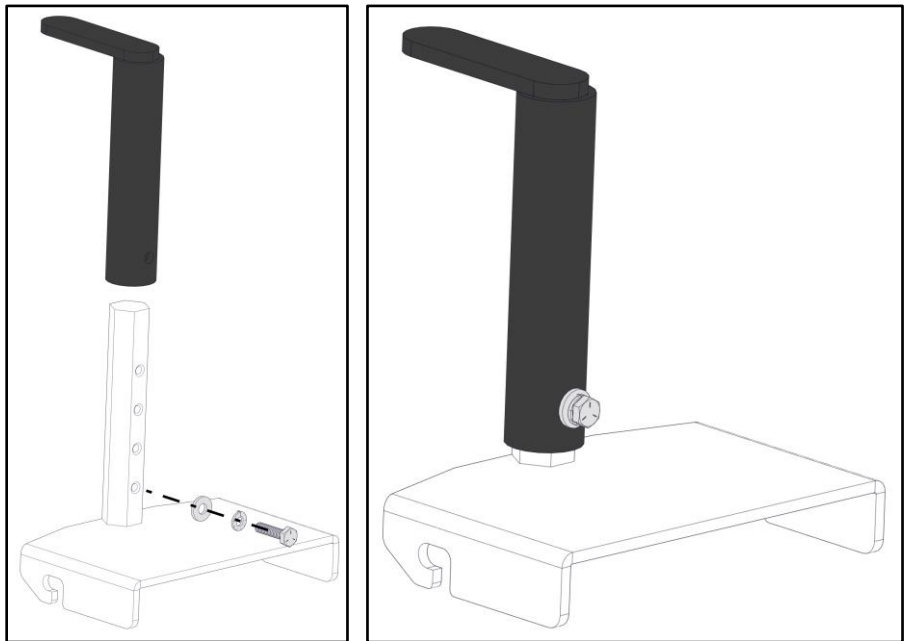


Step 6 – Install Ladder Hook

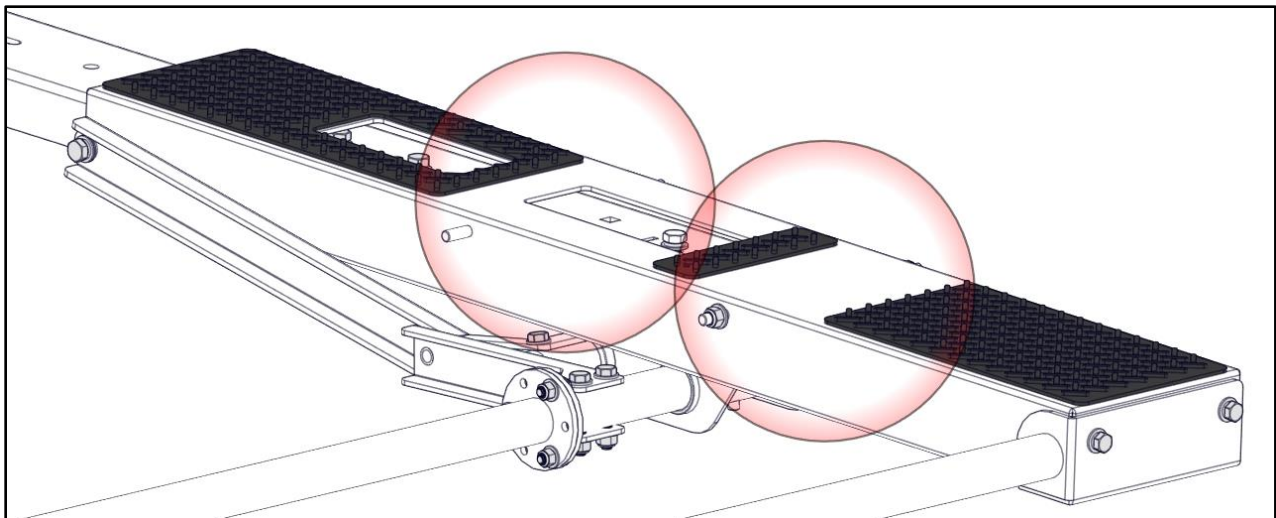
- Assemble the ladder hooks.

Note: This can be adjusted at a later time to better fit the size of the ladder being used.

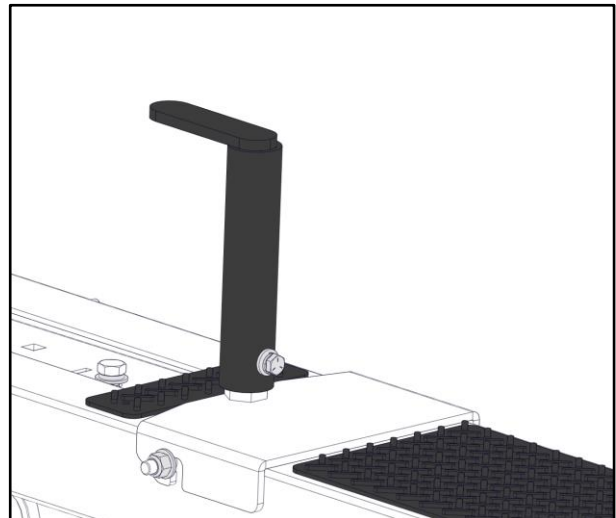
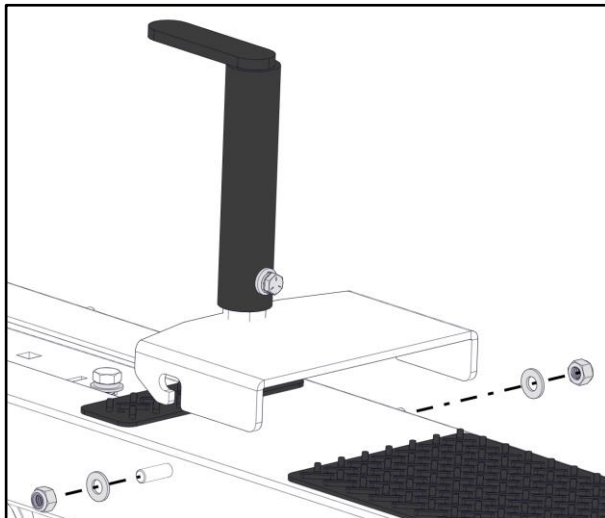
- Bolt into place using 1/4" x 7/8" hex head bolt, 1/4" lock washer and a 1/4" flat washer.
- Repeat for a second ladder hook.
- Tighten.



- Place one ladder hook assembly onto the front bow and one ladder hook on the rear bow in the desired locations. Use the threaded studs to locate the ladder hook location.

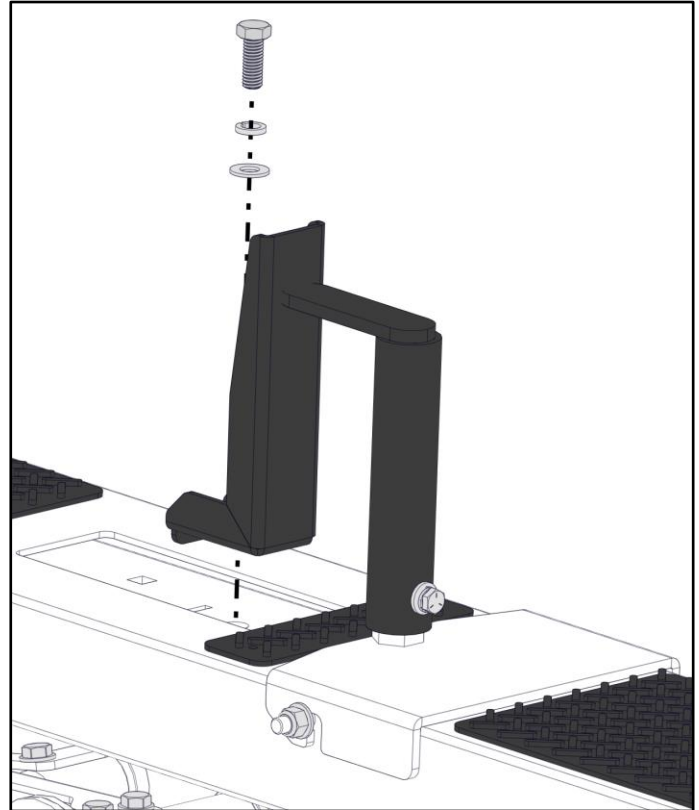
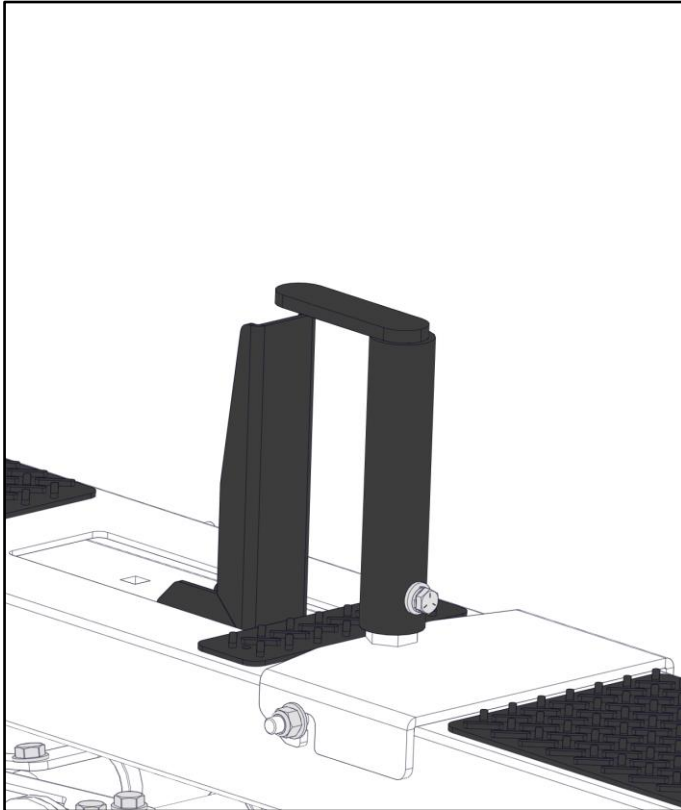


- Bolt into place using two 5/16" flat washers and two 5/16" nyloc nuts at each location.



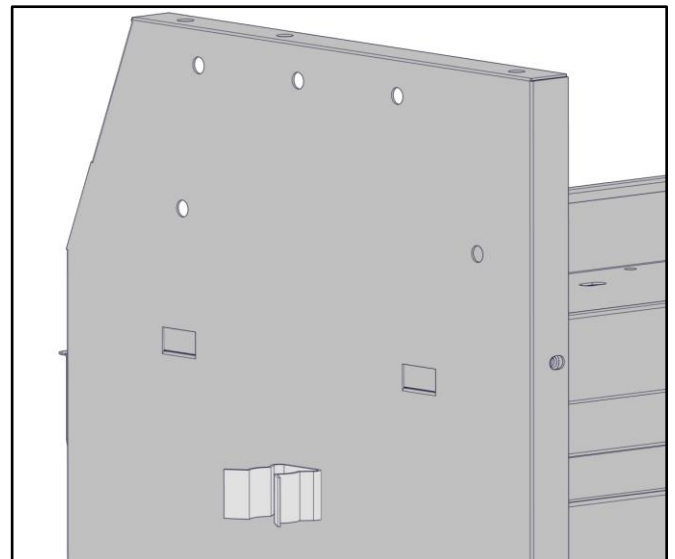
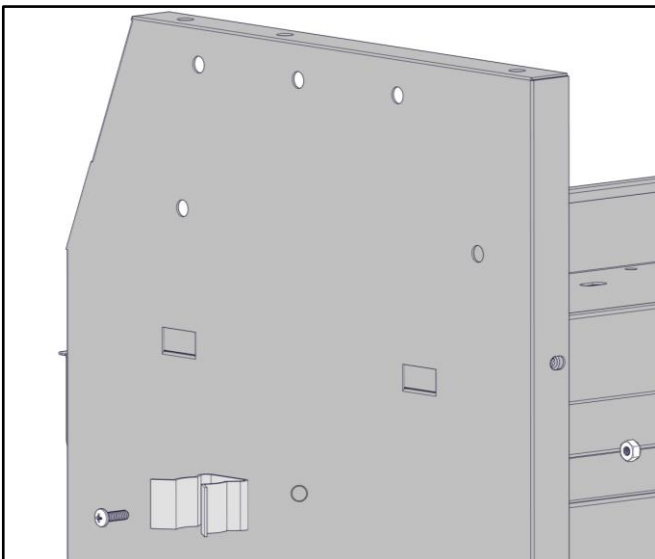
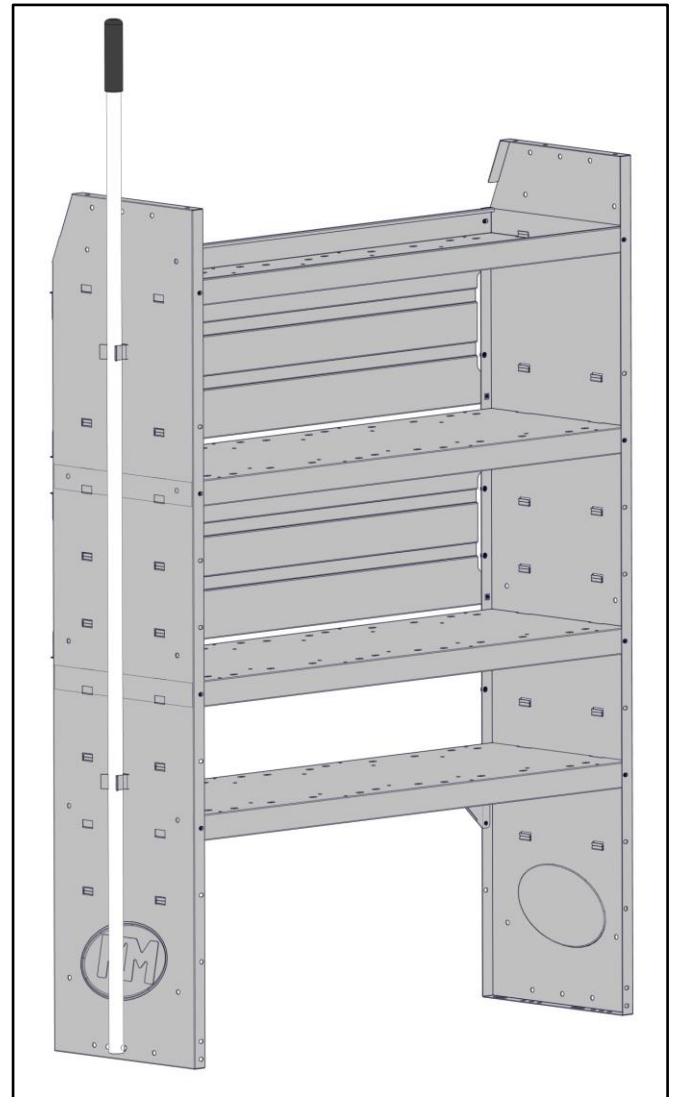
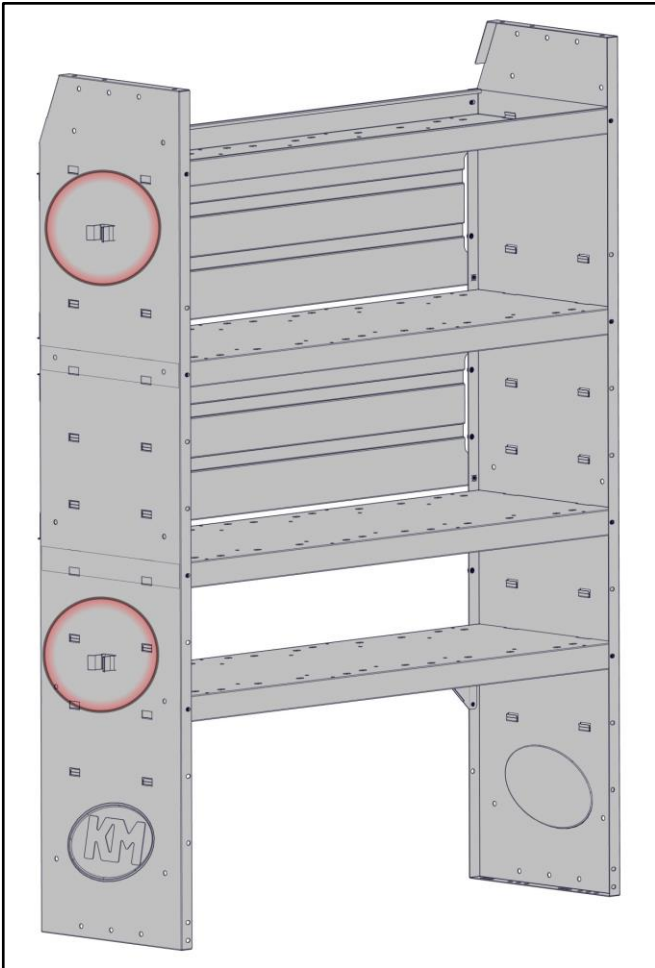
Step 7 – Install Ladder Stop

- Find the slot and the installed hardware near the previously installed ladder hook assembly.
- Remove the hardware in the bow and place the ladder stop in that location. Bolt into place using the removed hardware. Be sure the tab on the ladder stop aligns with the slot in the bow.
- Repeat on each bow.
- Tighten.



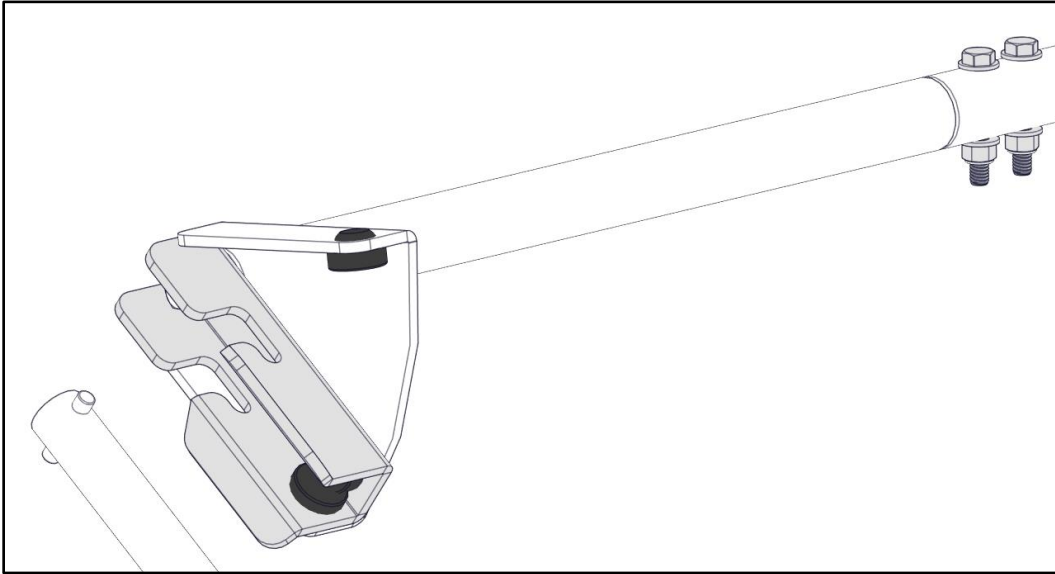
Step 8 – Install Handle Bar Holder

- Determine the best location for the installation of the handle bar. Most installs are at the rear of the van, on the backside of a shelving unit. This makes it easily accessible when the rear doors are open.
- Drill a 1/4" hole in desired locations.
- Install clips using #10 hardware provided.



Step 9 – Test Ladder Rack

- Go back and ensure all hardware is tight. Tighten the torque tube first.
- Prior to installing a ladder, place the long handle into the handle bar assembly and test that the ladder rack mechanism works correctly.



ENSURE ALL HARDWARE IS TIGHT
YOUR INSTALLATION IS NOW COMPLETE

