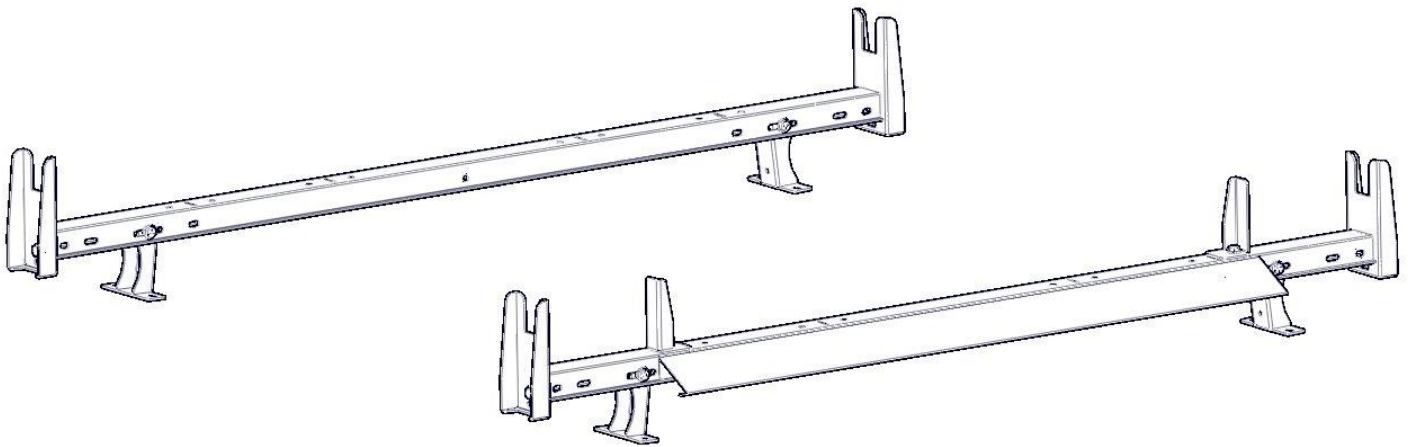

KARGO MASTER®

WE PUT EVERYTHING WITHIN REACH.

Instruction Guide

40821



***PLEASE READ ALL INSTRUCTIONS AND WARNINGS PRIOR TO ASSEMBLING,
INSTALLING, AND USING THIS PRODUCT***

Warning



Always check for wires, fuel tanks and lines, brake lines and other important vehicle functionality items prior to drilling and installing all products.

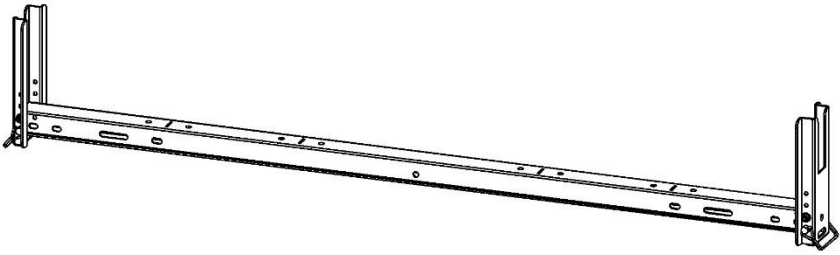
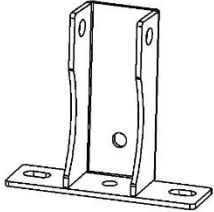
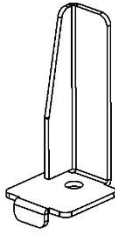
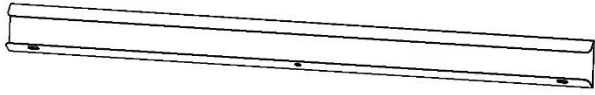
Tools Needed

13mm Socket and Wrench	10mm Socket and Wrench
9/16" Socket and Wrench	

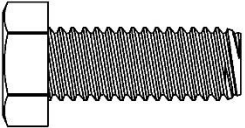
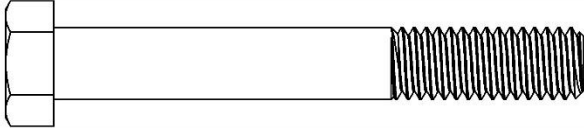
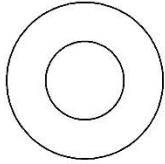
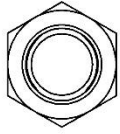
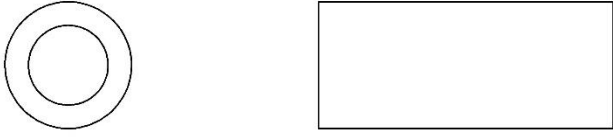
Before You Begin

- Read all instructions.
 - Be sure to put E6000 sealant around all threads entering cargo area and between the rubber spacer and roof of vehicle to prevent water from leaking into cargo area.
-

Parts

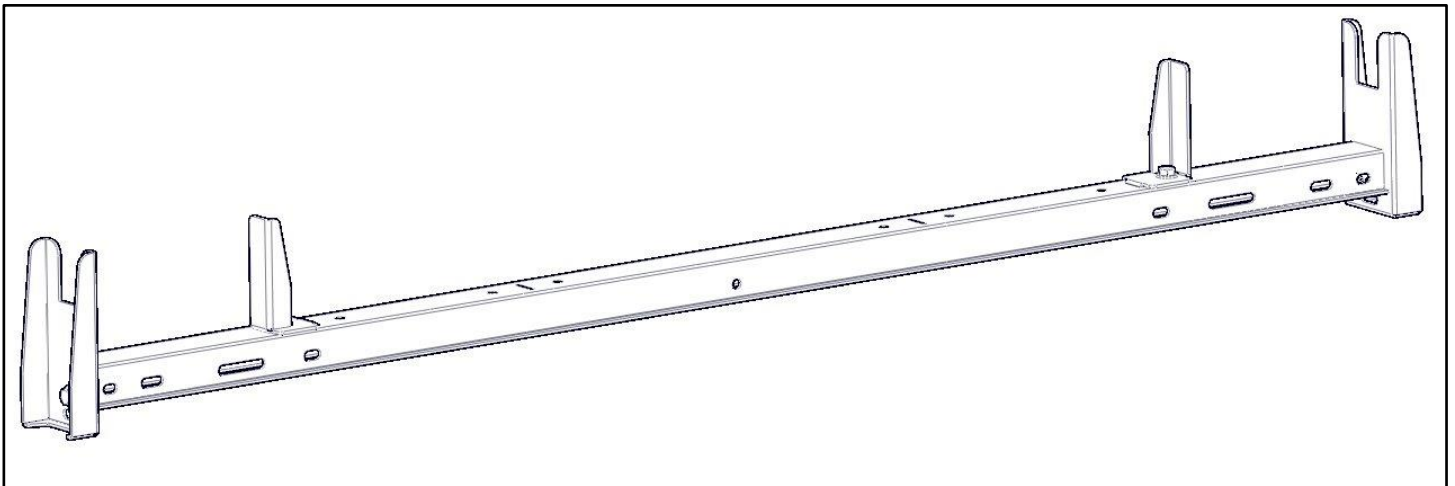
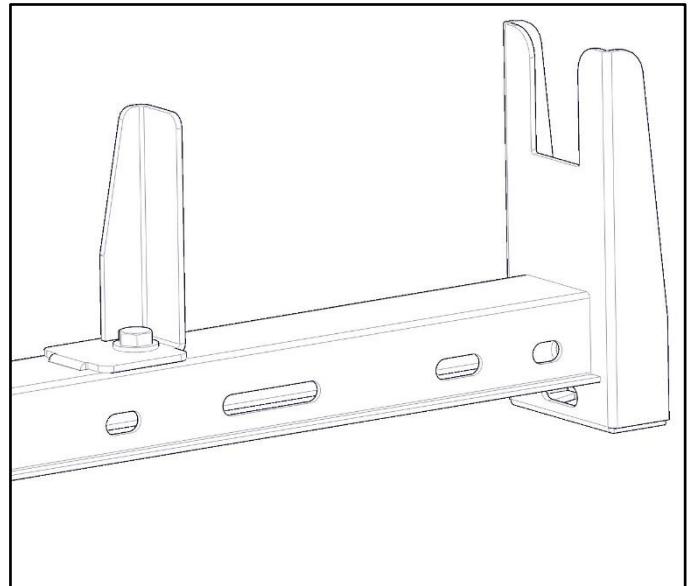
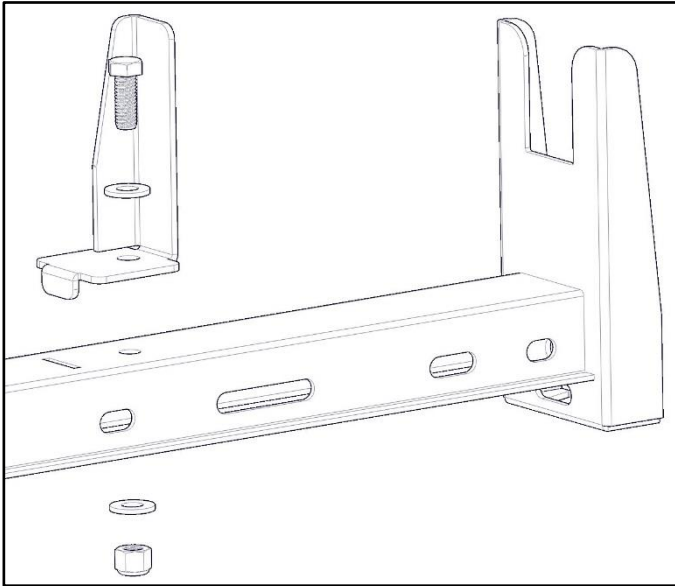
ITEM NO.		PART NUMBER	QTY.
A		4A821-10	2
B		4A821-10-001	4
C		4A821-10-006	2
D		4A821-10-009	1

Assembly Hardware (18-40821-A)

ITEM NO.	18-40821-A TO SCALE	DESCRIPTION	PART NUMBER	QTY.
1		.375-16 x 1 HH	92865A622	9
2		.375-16 x 2.75 HH	91247A635	4
3		.375 Flat Washer	90126A031	26
4		.375-16 Nyloc	95615A140	13
5		40821-10-005-R1	11-00396	4

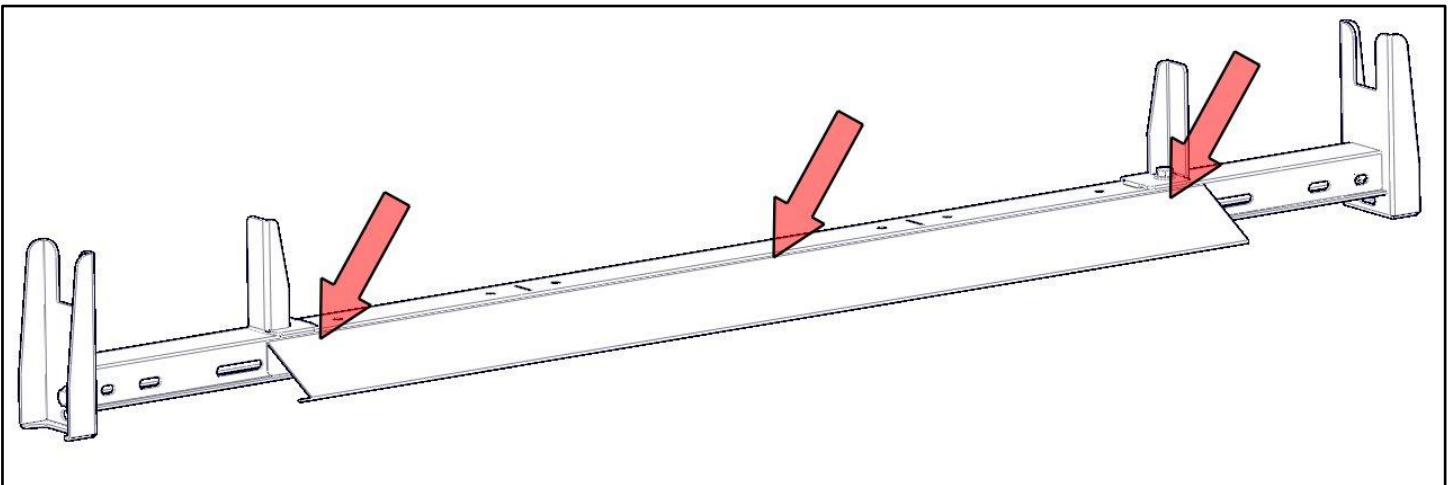
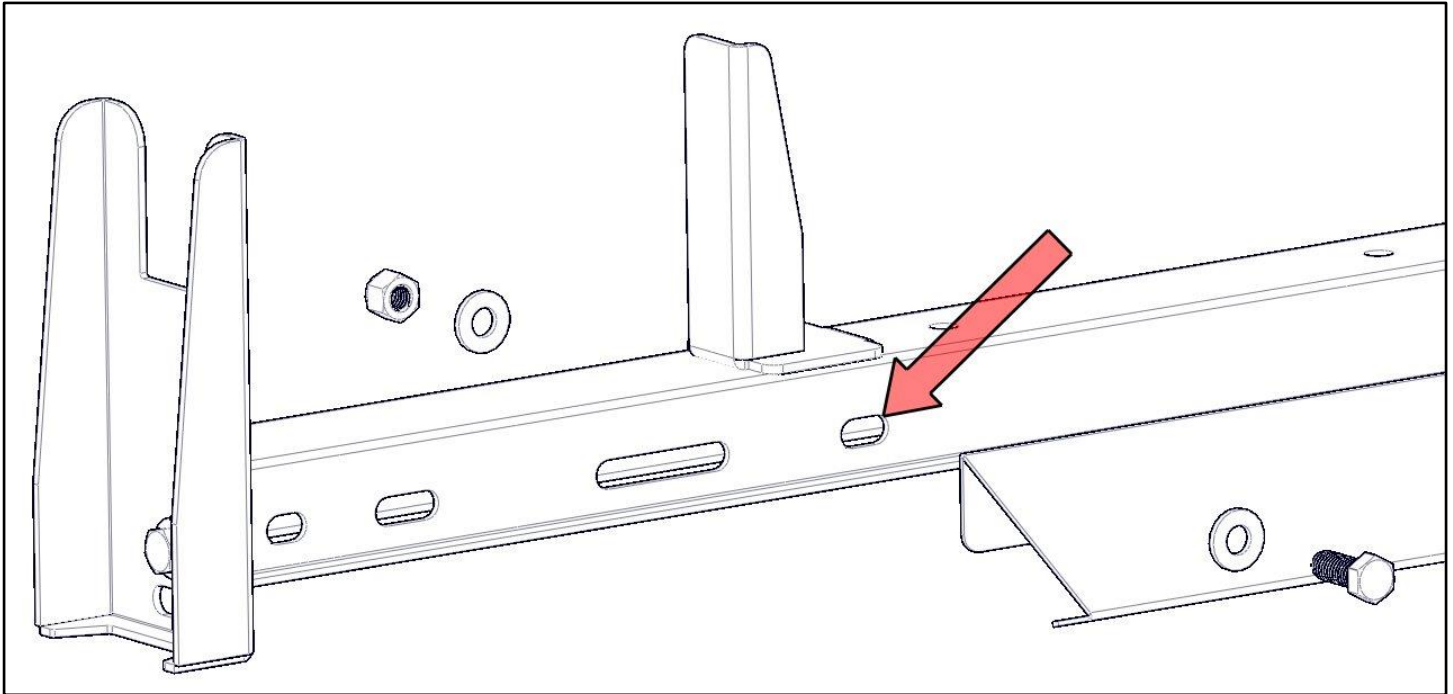
Step 1 – Assemble Ladder Hooks

- On one cross member (A), bolt two ladder hooks (C) to the top of cross member using one 3/8 x 1 hex head (1) two 3/8 flat washers (3) and one 3/8 nyloc (4).
- The tab on the ladder hook will line up with the slot in the crossmember.
- Typically, this cross member goes to the front of the vehicle.
- TIGHTEN



Step 2 – Assemble Wind Deflector

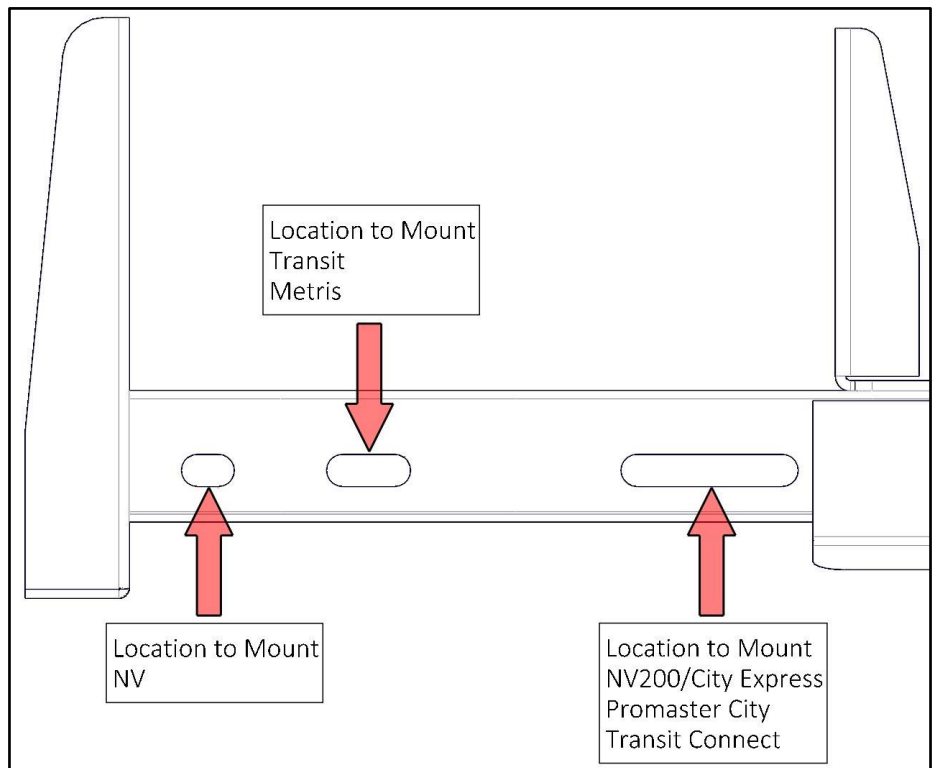
- Bolt wind deflector (D) to the front of the cross member (A) through the slot as shown below.
Typically this is attached to the same cross member with the ladder hooks
- Use a 3/8 x 1 hex head bolt (2), a 3/8 flat washer (3) and a 3/8 nyloc nut (4) in the order shown.
- Repeat in other two locations as shown.



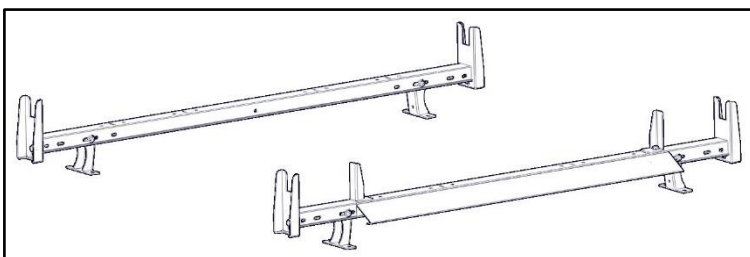
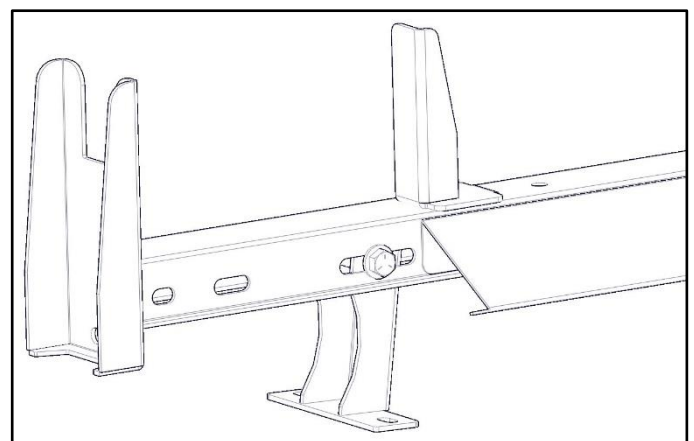
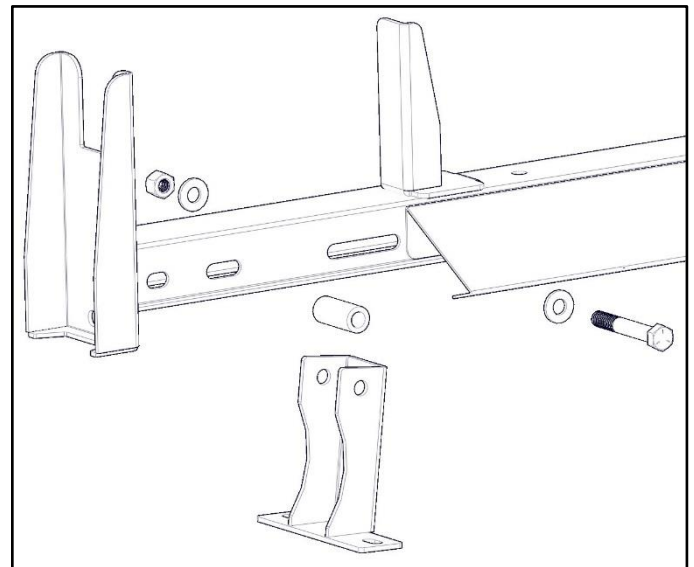
- Square and TIGHTEN

Step 3 – Assembly of Foot

- Depending on your vehicle, the foot will mount in different slots.



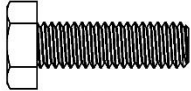
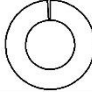
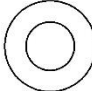
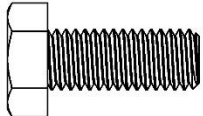
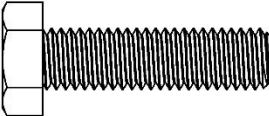
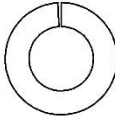
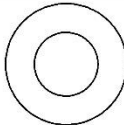
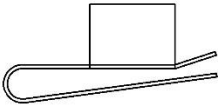
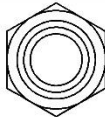
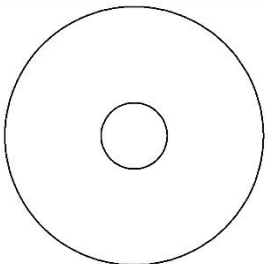
- Use a 3/8 x 2.75 hex head bolt (2), two 3/8 flat washers (3) and a 3/8 nyloc nut (4) to bolt foot(B) to crossmember (A). Be sure to insert the nylon spacer (5) inside foot.
- Have the cup in the foot facing outward. (as shown)
- Repeat on both sides and both crossmembers
- Do NOT tighten.



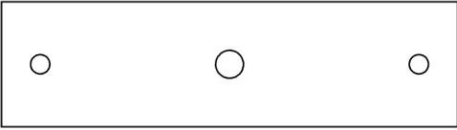
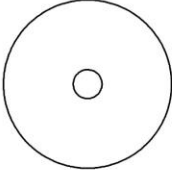
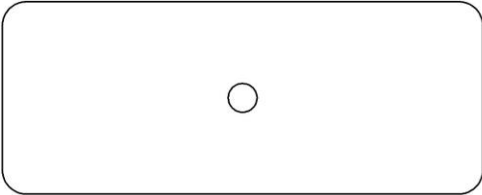
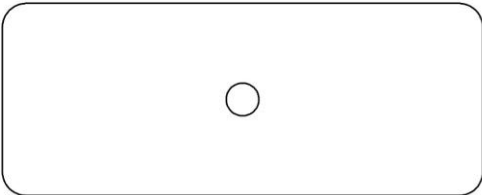
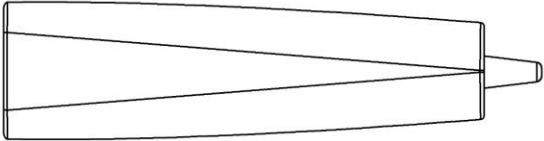
Installation Instructions

Find vehicle below, follow instructions from there.

Installation Hardware (To Scale) (18-40821-M)

ITEM NO.	18-40821-M		PART NUMBER	QTY.
6		M6x1 x 20mm HH	91280A330	8
7		M6 Split Lock Washer	91202A234	8
8		M6 Flat Washer	91166A250	8
9		M8x1.25 x 20mm HH	91280A530	8
10		M8x1.25 x 30mm HH	91280A538	4
11		M8 Split Lock Washer	91202A238	8
12		M8 Flat Washer	91166A270	8
13		M8 U-Nut	95210A190	8
14		M8x1.25 Nyloc	90576A117	4
15		.312 Fender Washer	.312 Fender Washer	4

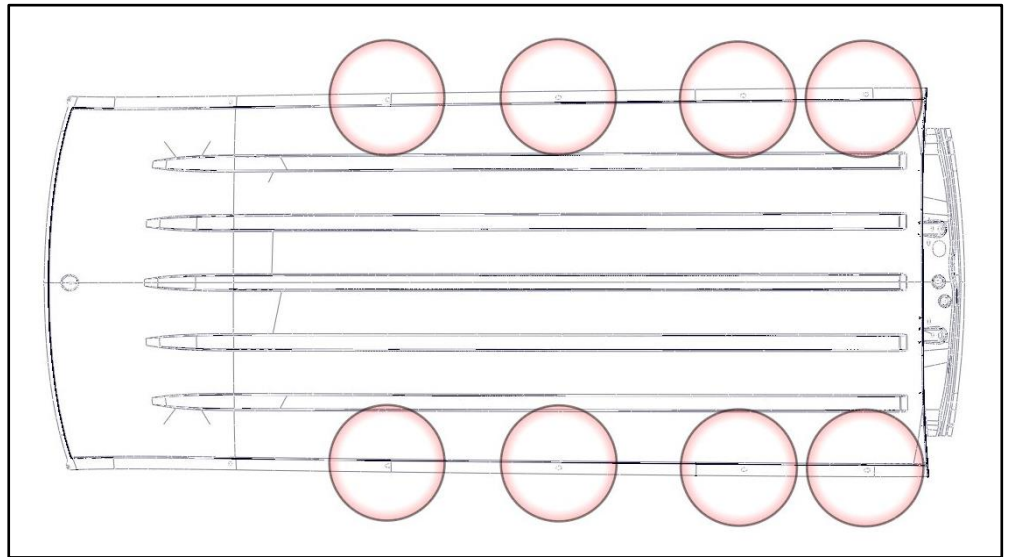
Installation Hardware (con't)

ITEM NO.	18-40821-M		PART NUMBER	QTY.
16		40821-10-004-R1	40821-10-004-R1	4
17		.125x.312x1.75 Rubber Washer	.125x.312x1.75 Rubber Washer	4
18		T249-02-R1	RUBBER	4
19		T250-01	Transit Steel Plate	4
		E6000	E6000	1

Transit Connect

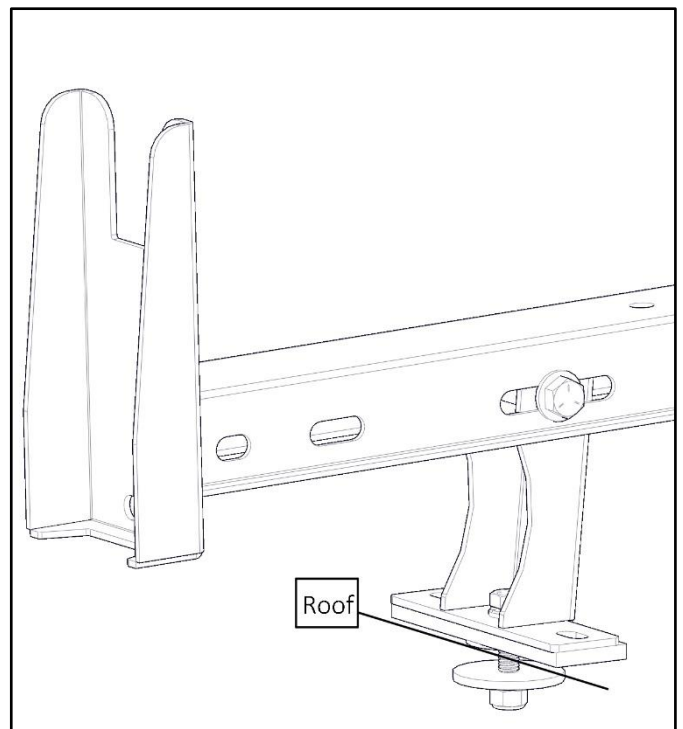
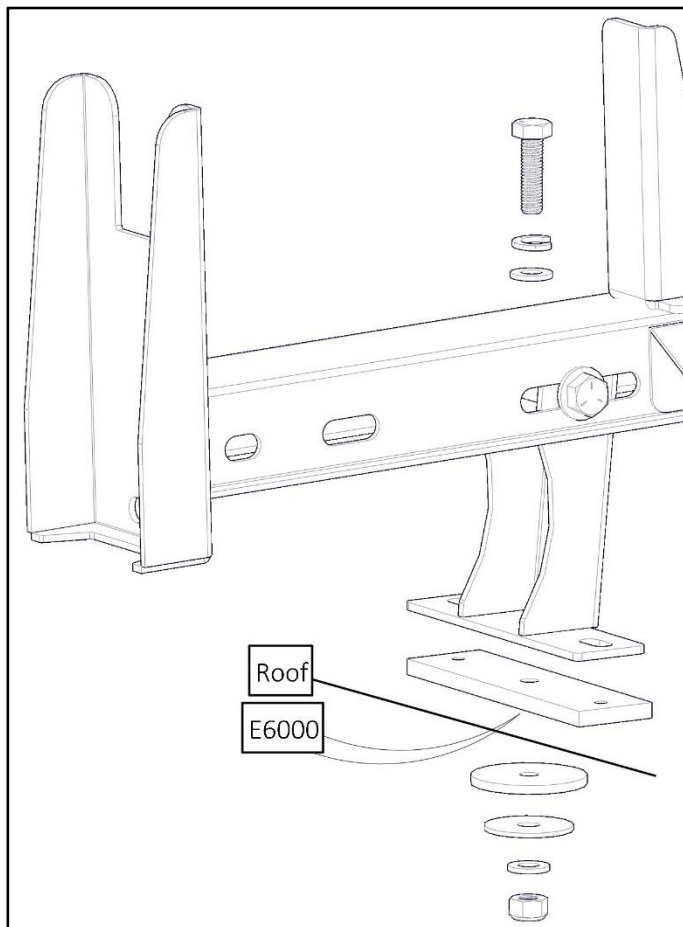
Step 1

- Remove plugs from desired mounting location in the roof of van.



Step 2

- Bolt through the mount foot (B) into the exposed holes in roof using one M8 x 30mm hex head (10), one M8 flat washer (12), a rubber spacer (16), a rubber washer (17), one fender washer (15) another M8 flat washer (12) and one M8 nyloc (10). In the order shown.
- Be sure to put rubber spacer (16) in between mount foot (B) and roof of van as shown below.
- The roof goes in between rubber spacer (16) and rubber washer (17)
- Place E6000 between rubber spacer and roof of van and around threads to ensure no water leaks into van.



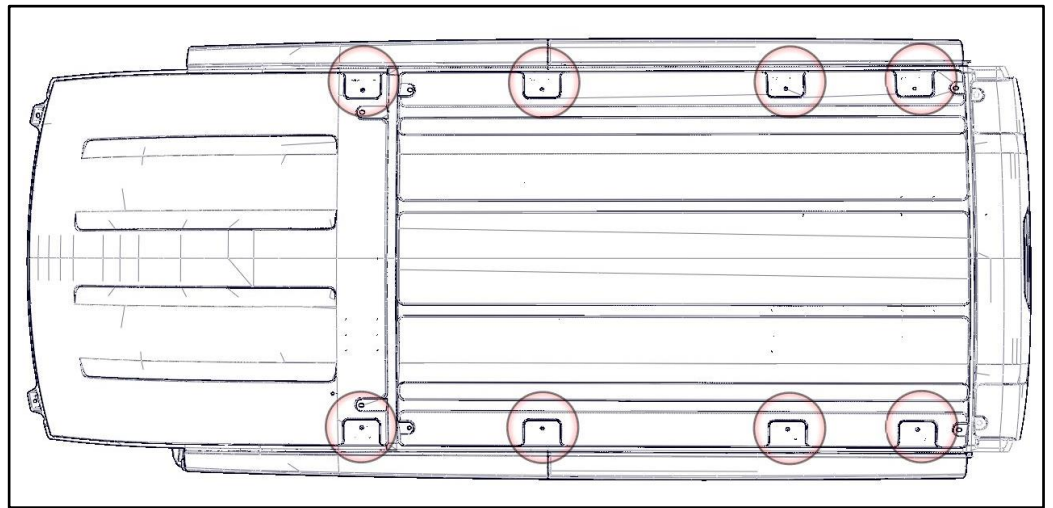
Step 3

- Go back and tighten all bolts including nuts and bolts on the rack itself.

Transit

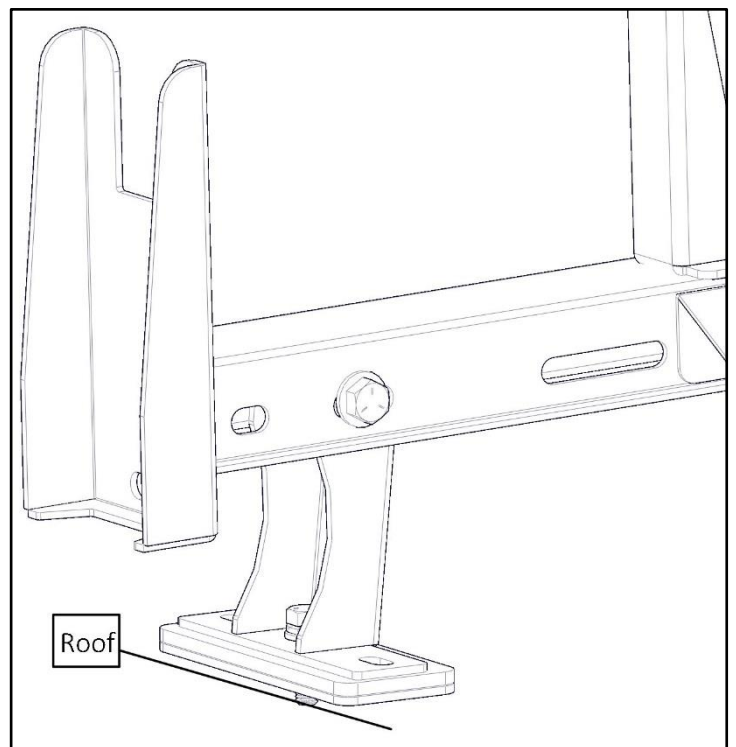
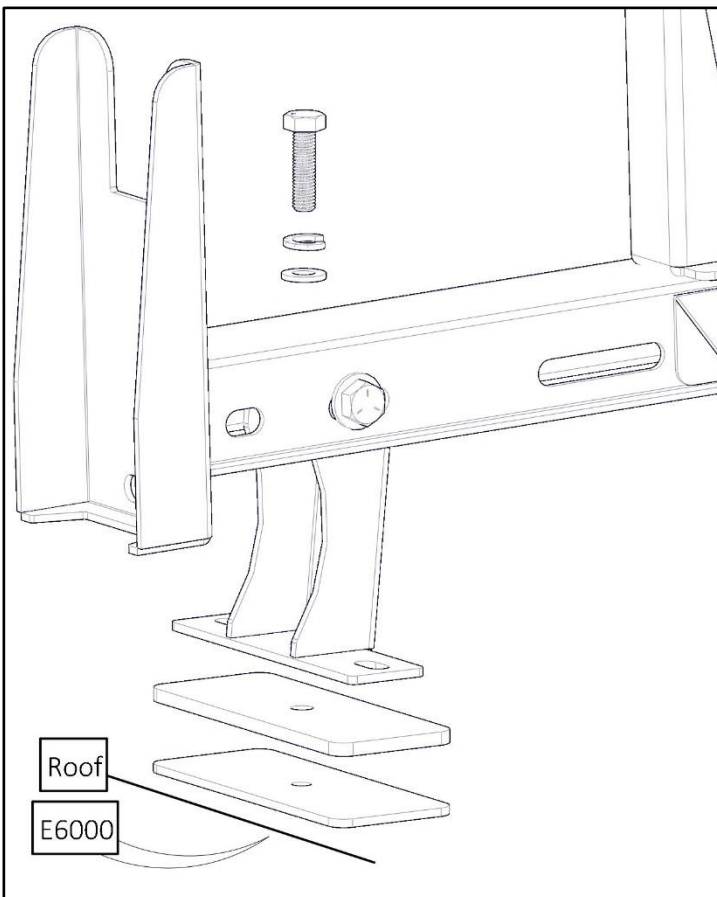
Step 1 -

- Remove plugs from desired mounting location in the roof of van.



Step 2

- Bolt through the mount foot (B) into the exposed holes in roof using one M8 x 30mm hex head (10), one M8 lock washer (11), one M8 flat washer (12), a metal plate (19) and a rubber pad (18). In the order shown.
- Be sure to put rubber pad (18) and metal plate (19) in between mount foot (B) and roof of van as shown below. The rubber pad goes on the roof.
- Place E6000 between rubber pad and roof of van and around threads to ensure no water leaks into van.



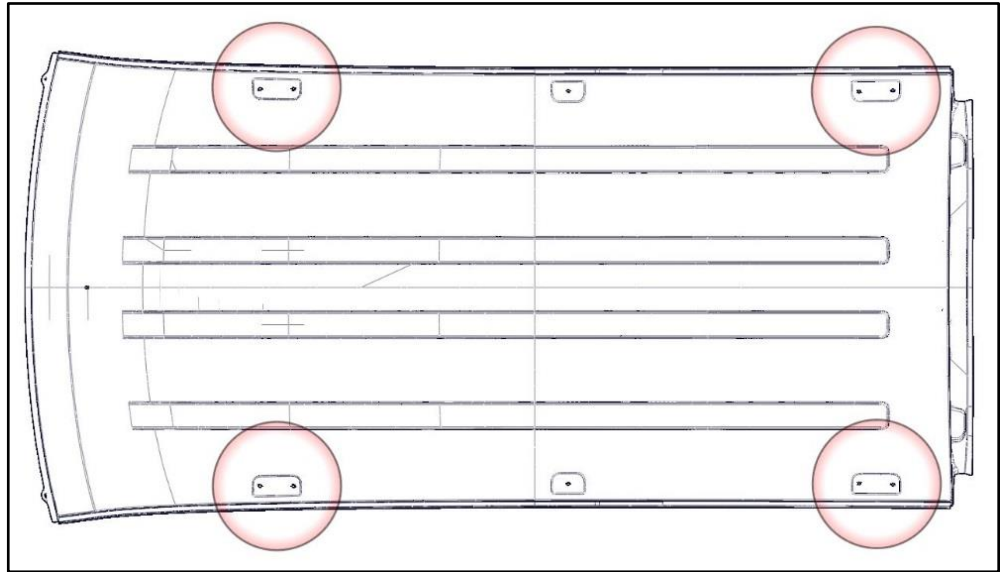
Step 3

Go back and tighten all bolts including nuts and bolts on the rack itself.

Promaster City

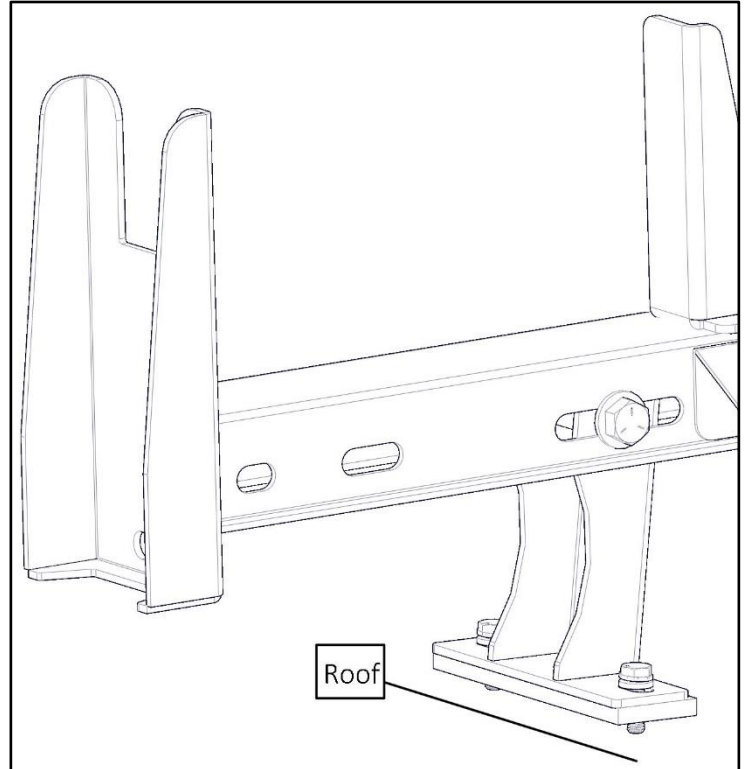
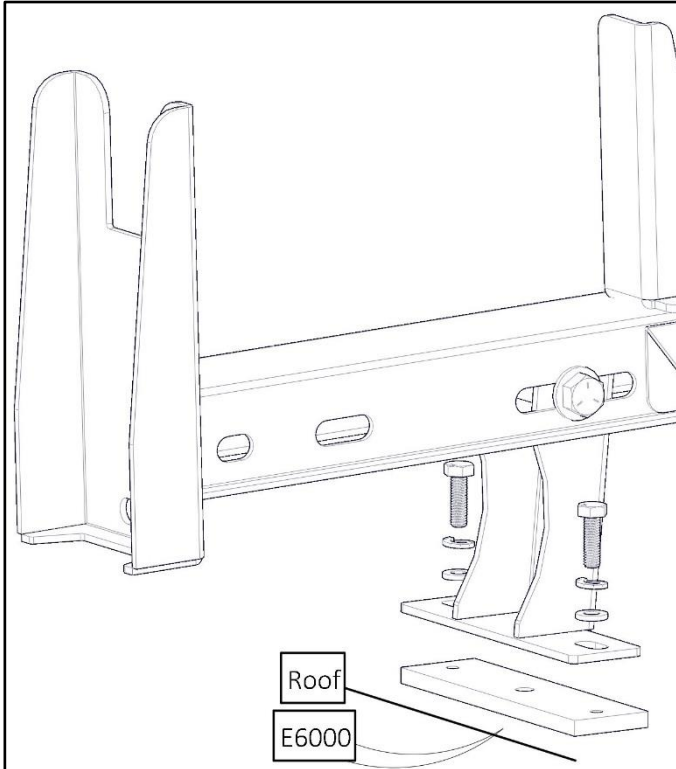
Step 1

- Remove plugs from desired mounting location in the roof of van.



Step 2

- Bolt through the mount foot (B) into the exposed holes in roof using one M6 x 20mm hex head (6), one M6 lock washer (7), one M6 flat washer (8) and a rubber spacer (16). In the order shown.
- Be sure to put rubber spacer (16) in between mount foot (B) and roof of van as shown below.
- Place E6000 between rubber spacer and roof of van and around threads to ensure no water leaks into van.



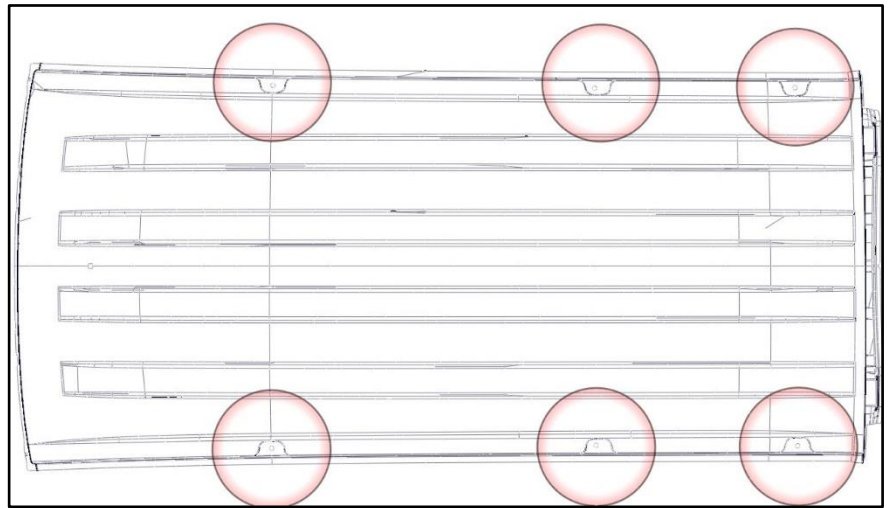
Step 3

- Go back and tighten all bolts including nuts and bolts on the rack itself.

NV200/Chevy City Express

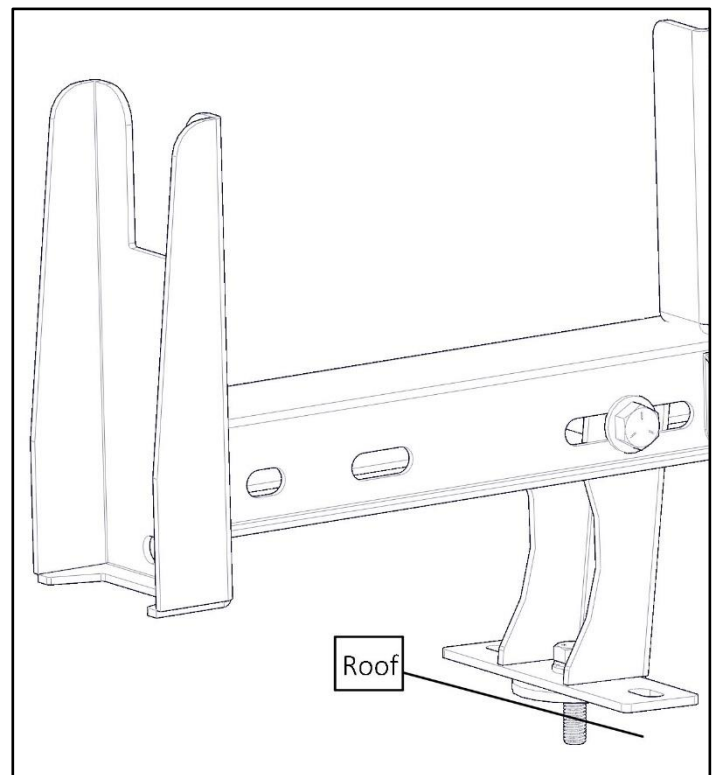
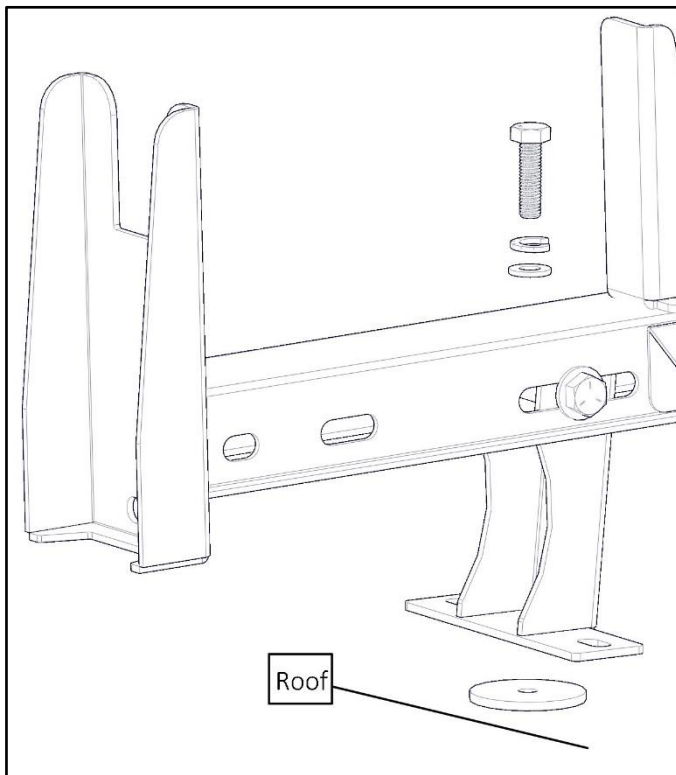
Step 1

- Remove plugs from desired mounting location in the roof of van.



Step 2

- Bolt through the mount foot (B) into the exposed holes in roof using one M8 x 30mm hex head (10), one M8 lock washer (11), one M8 flat washer (12) and a rubber washer (17). In the order shown.
- Be sure to put rubber washer (17) in between mount foot (B) and roof of van as shown below.
- Place E6000 between rubber spacer and roof of van and around threads to ensure no water leaks into van.



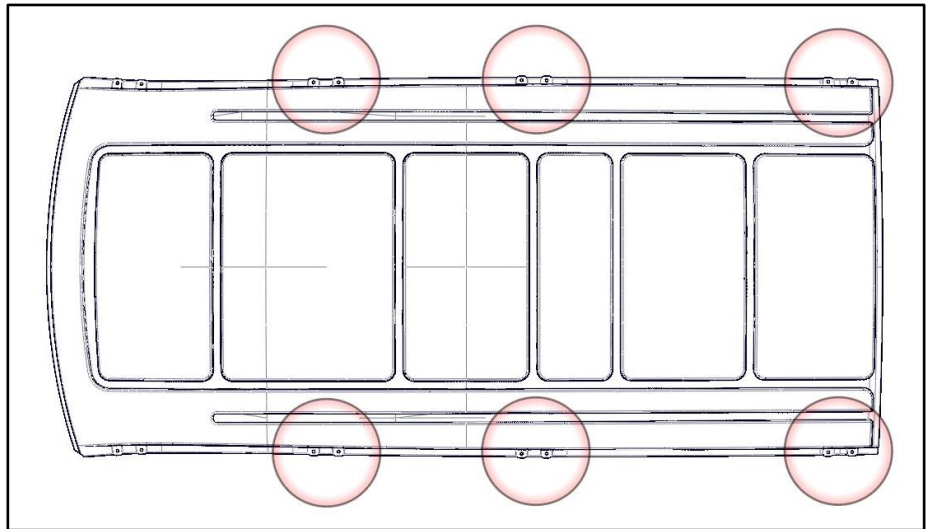
Step 3

- Go back and tighten all bolts including nuts and bolts on the rack itself.

Metris

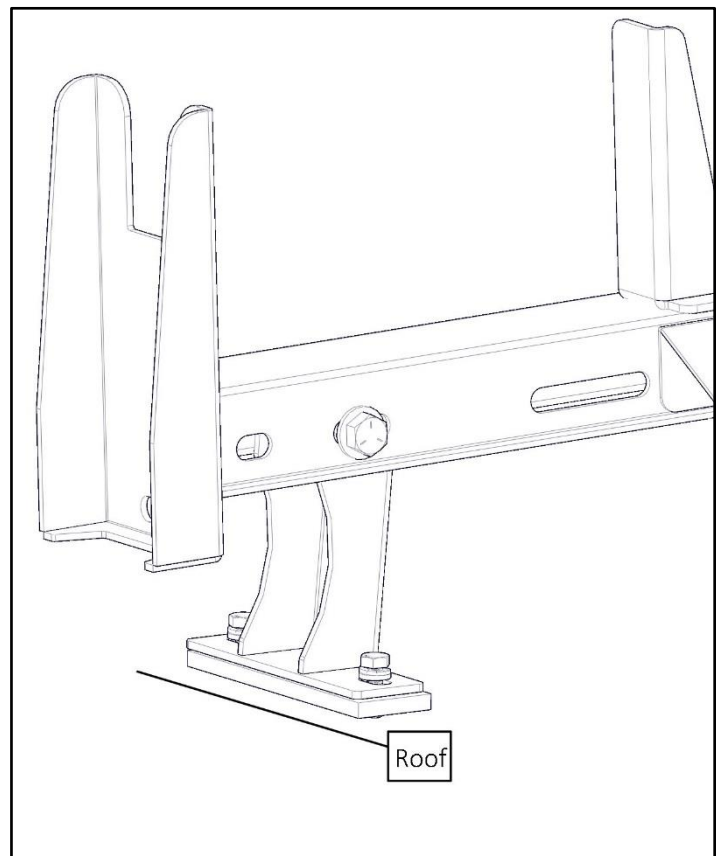
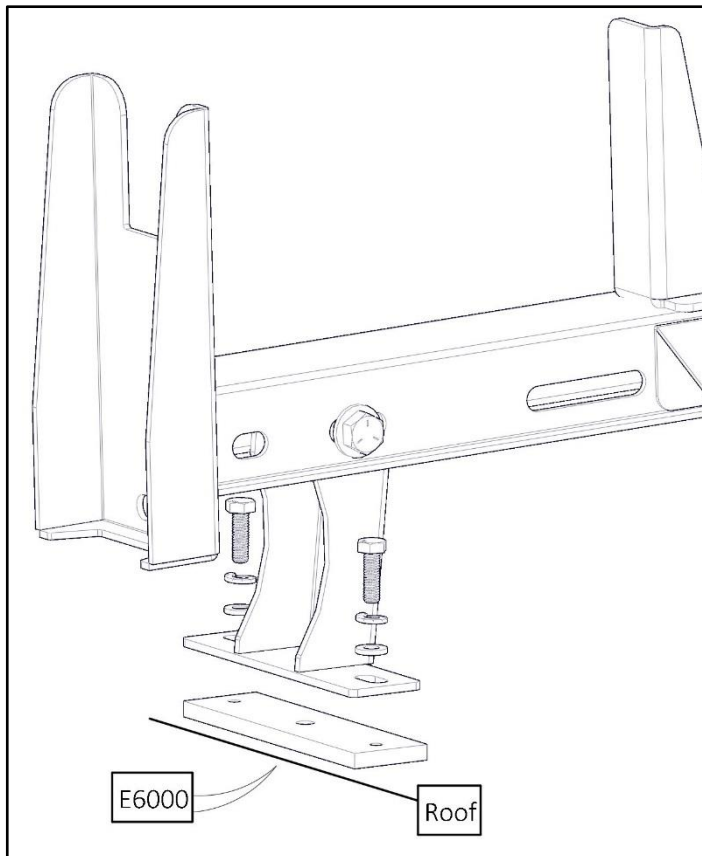
Step 1

- Remove plugs from desired mounting location in the roof of van.



Step 2

- Bolt through the mount foot (B) into the exposed holes in roof using one M6 x 20mm hex head (6), one M6 lock washer (7), one M6 flat washer (8) and a rubber spacer (16). In the order shown.
- Be sure to put rubber spacer (16) in between mount foot (B) and roof of van as shown below.
- Place E6000 between rubber spacer and roof of van and around threads to ensure no water leaks into van.



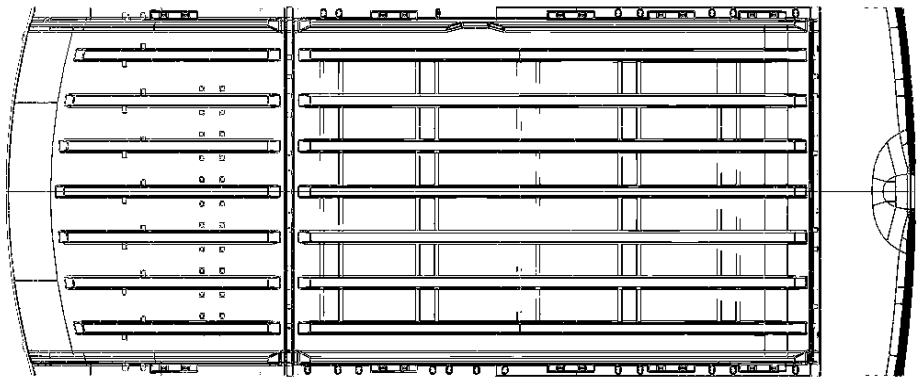
Step 3

- Go back and tighten all bolts including nuts and bolts on the rack itself.

NV

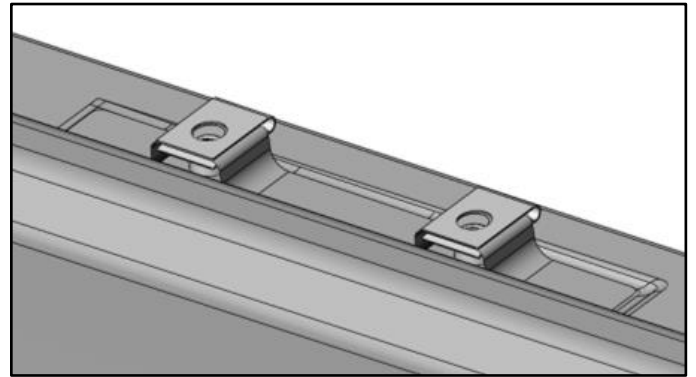
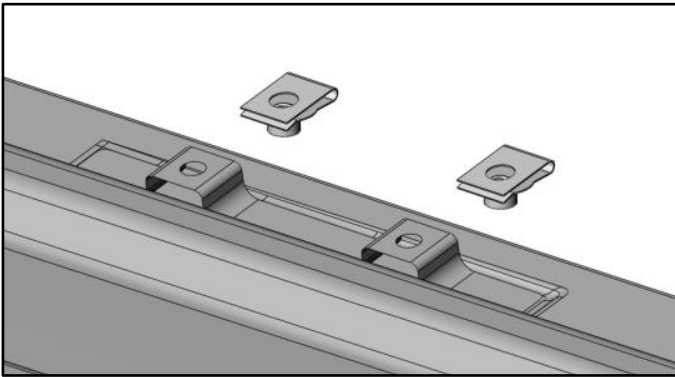
Step 1

- Locate desired mounting location in the roof of van.



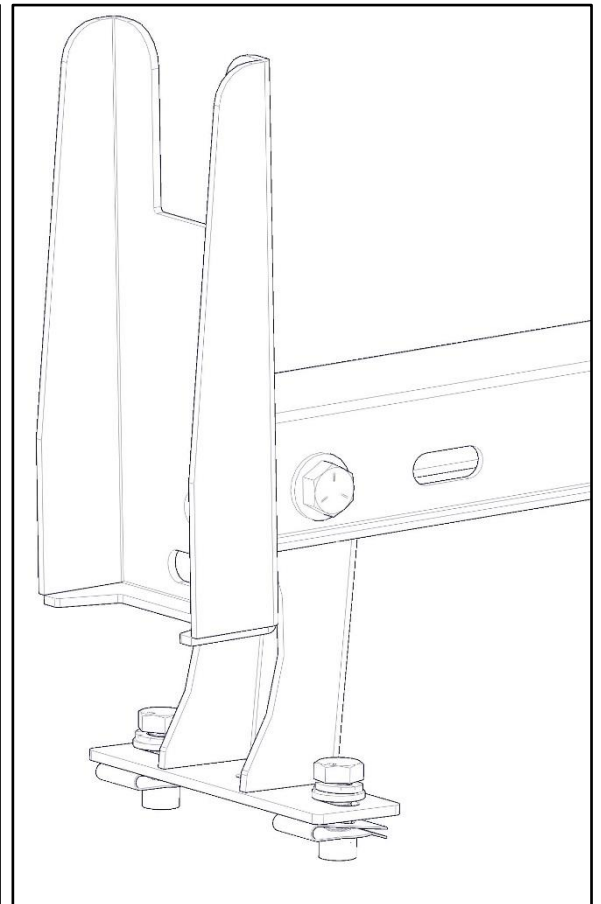
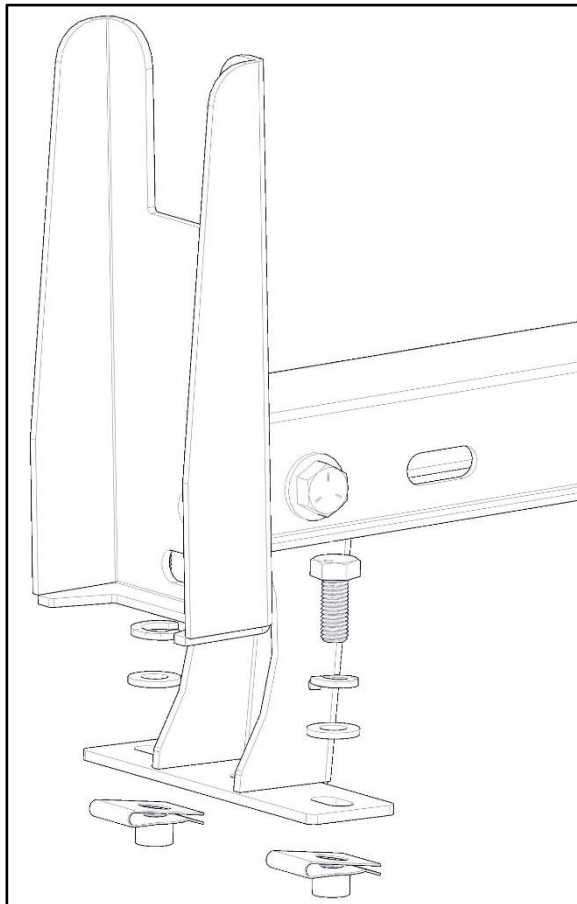
Step 2

- Install M8 U-Nuts (13) as shown.



Step 3

- Bolt through the mount foot (B) into the previously installed M8 U-nuts using M8 x 20mm hex head (9), M8 lock washer (11) and M8 flat washer (12).



Step 4

- Go back and tighten all bolts including nuts and bolts on the rack itself.