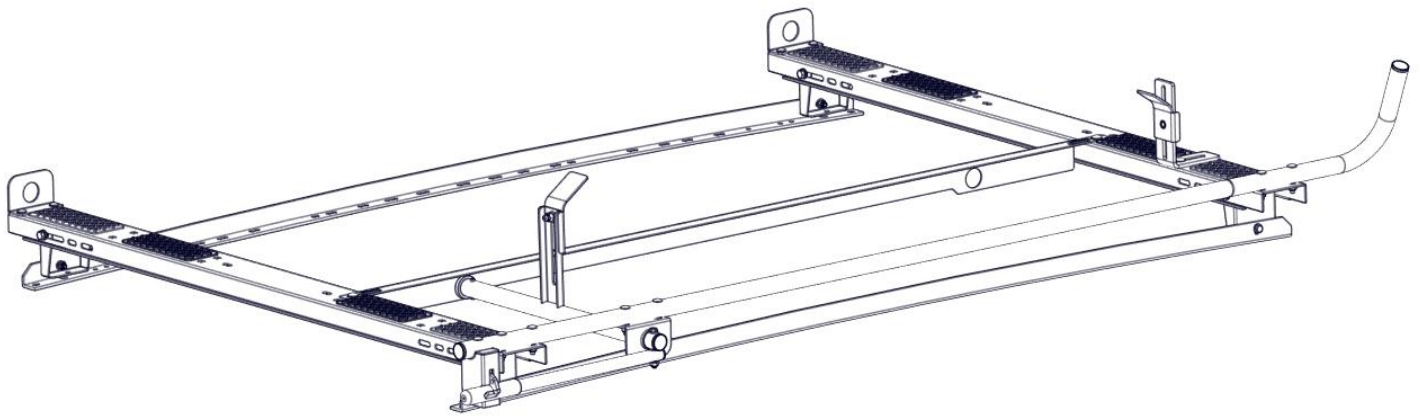

KARGO MASTER[®]

WE PUT EVERYTHING WITHIN REACH.

Instruction Guide

4080L



***PLEASE READ ALL INSTRUCTIONS AND WARNINGS PRIOR TO ASSEMBLING,
INSTALLING, AND USING THIS PRODUCT***

Warning



Always check for wires, fuel tanks and lines, brake lines and other important vehicle functionality items prior to drilling and installing all products.


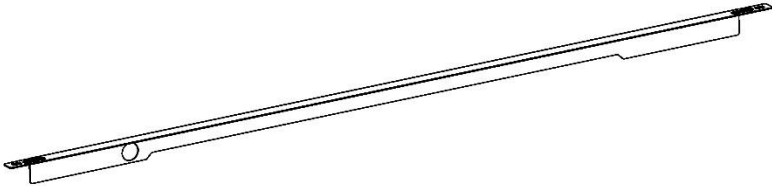


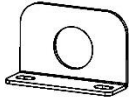
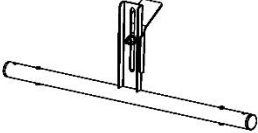

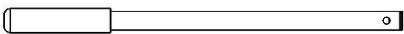
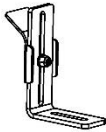

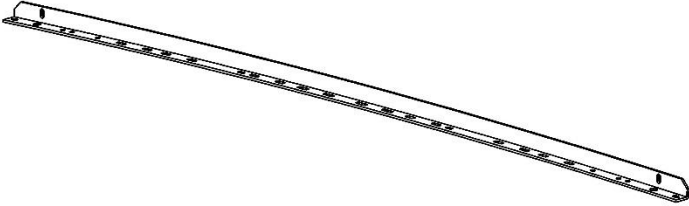
Tools Needed

| | |
|-------------------------|-------------------------|
| 13mm Socket and Wrench | 10mm Socket and Wrench |
| 5mm Allen Hex | 9/16" Socket and Wrench |
| 7/16" Socket and Wrench | 1/2" Socket and Wrench |

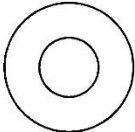
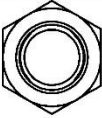
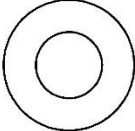
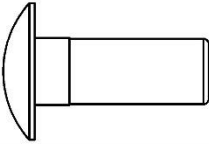
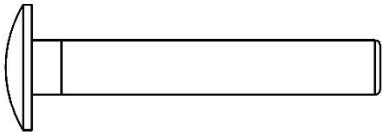
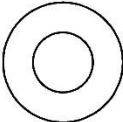

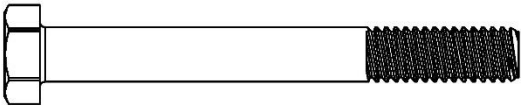
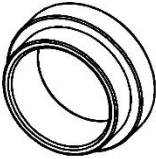
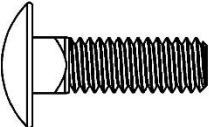
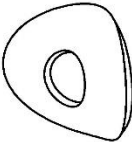
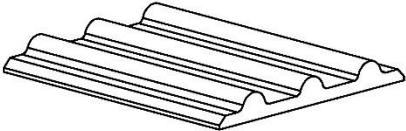
Before You Begin

- Read all instructions. Find your vehicle roof rail mounting prior to rack assembly.
 - Be sure to put E6000 sealant around all threads entering cargo area and between the rubber spacer and roof of vehicle to prevent water from leaking into cargo area.
 - **DO NOT EXCEED MANUFACTURERS WEIGHT CAPACITY FOR ROOF**
-

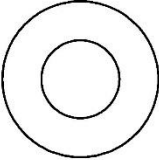
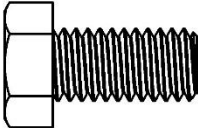
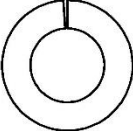
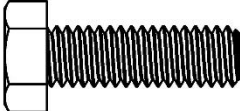
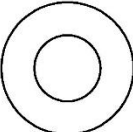

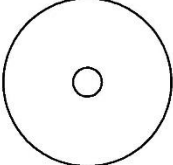
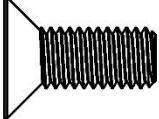
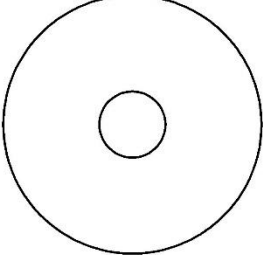
Parts

| ITEM NO. | | PART NUMBER | DESCRIPTION | QTY. |
|----------|-------------------------------------------------------------------------------------|-------------------|------------------------------|------|
| A |  | 4090L-10-001 | BOW W/ PADS | 2 |
| B |  | 11-03005-R2-R | PS LONG ANGLE BRK | 1 |
| C |  | 40800-50-001 | PS TUBE | 1 |
| D |  | 40800-50-002-R1-R | PS BEND TUBE | 1 |
| E |  | 11-03027 | ANGLE BRK | 3 |
| F |  | 13-03007-R1 | PIVOT LADDER CLAMP ASM | 1 |
| G |  | 40813-44 | HANDLE CLAMP ASM | 1 |
| H |  | 13-03008-R2 | HANDLE ASM | 1 |
| J |  | 13-03009 | LADDER CLAMP ASM | 1 |
| K |  | 40800-17 | FOOT ASM | 4 |
| L |  | 11-03098-R2 | MOUNT RAIL | 2 |
| | | 18-4080L | MOUNT HARDWARE | 1 |
| | | 18-40800 | ASSEMBLY HARDWARE | 1 |


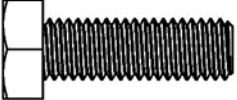
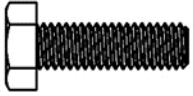
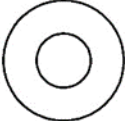
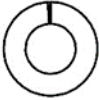

Hardware (18-40800)

| ITEM NO. | TO SCALE | PART NUMBER | DESCRIPTION | QTY. |
|----------|-------------------------------------------------------------------------------------|---------------------------|------------------------------|------|
| 1 |  | 90295A160 | .06x.34x.75 Nylon Washer | 2 |
| 2 |  | .375-16 NYLOC | 3/8-16 Nyloc Nut | 3 |
| 3 |  | .375 FLAT WASHER | 3/8 Flat Washer | 3 |
| 4 |  | .375-16 x 1 Carriage | 3/8-16x1 Carriage Bolt | 3 |
| 5 |  | .312-18x2.0 CARRIAGE BOLT | 5/16-18x2.0 Carriage Bolt | 7 |
| 6 |  | 96659A107 | 5/16 FLAT WASHER | 12 |
| 7 |  | 91831A030 | 5/16 NYLOC | 12 |
| 8 |  | .312-18 X 2.75 HEX BOLT | 5/16-18x2 3/4 Hex Bolt | 1 |
| 9 |  | 40800-10-007 | PLASTIC BUSHING 1:2 SCALE | 2 |
| 10 |  | 90185A583 | 5/16 x 1 CARRIAGE | 4 |
| 11 |  | 91844A230 | 5/16 CONTOUR WASHER | 1 |
| 12 |  | Extra Rubber Pad | 1:2 SCALE | 1 |

Hardware (18-4080L)

| ITEM NO. | TO SCALE | PART NUMBER | DESCRIPTION | QTY. |
|----------|-------------------------------------------------------------------------------------|----------------------------|---------------------------------------------|------|
| 1 |  | 90126A031 | 3/8" Flat Washer | 12 |
| 2 |  | 92865A622 | 3/8"-16 x 3/4" Hex Head | 8 |
| 3 |  | 91102A760 | 3/8" Split Lock Washer | 12 |
| 4 |  | 92865A583 | 5/16"-18 x 1" Hex Head | 4 |
| 5 |  | 90126A030 | 5/16" Flat Washer | 8 |
| 6 |  | 95615A160 | 5/16"-18 Nyloc | 4 |
| 7 |  | RUBBER WASHER SCALE 2:1 | 1/8" T x 5/16" ID x 1-3/4" OD Rubber Washer | 6 |
| 8 |  | 91263A844 | M8x1.25 x 20mm Flat Head | 4 |
| 9 |  | 5/16 Fender Washer | OVERSIZE WASHER | 4 |

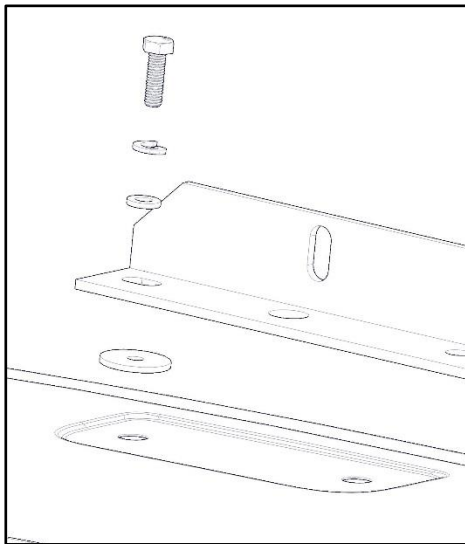
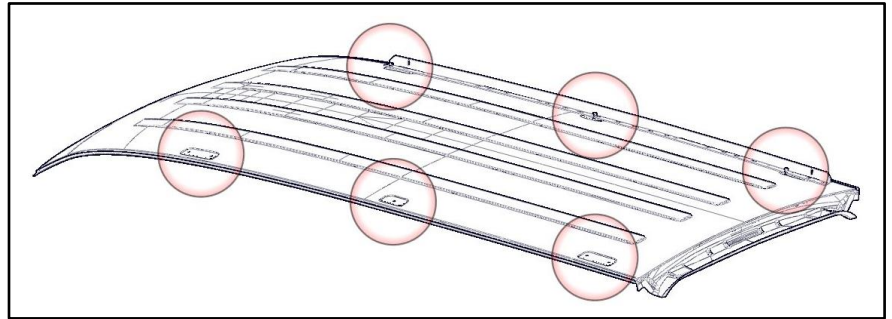
Continued

| ITEM NO. | TO SCALE | PART NUMBER | DESCRIPTION | QTY. |
|----------|-----------------------------------------------------------------------------------|-------------|----------------------------|------|
| 10 |  | 90576A117 | M8x1.25 NYLOC | 4 |
| 11 |  | 91280A534 | M8x1.25 x 25mm Hex Head | 4 |
| 12 |  | 91280A330 | M6x1 x 20mm Hex Head | 6 |
| 13 |  | 90126A029 | 1/4" Flat Washer | 6 |
| 14 |  | 91102A750 | 1/4" Split Lock Washer | 6 |
| 15 |  | E6000 | SEALANT | 1 |

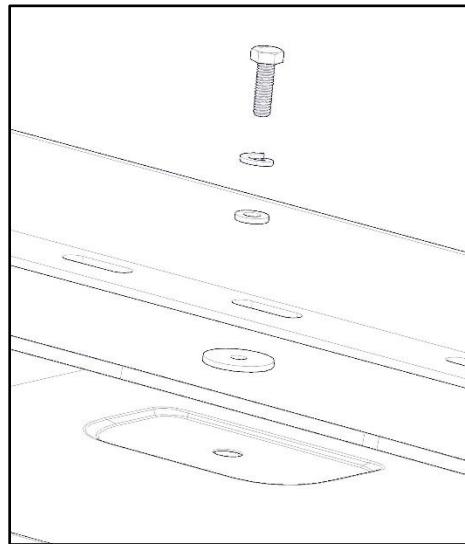
DO NOT EXCEED MANUFACTURERS WEIGHT CAPACITY FOR ROOF

Promaster City Installation

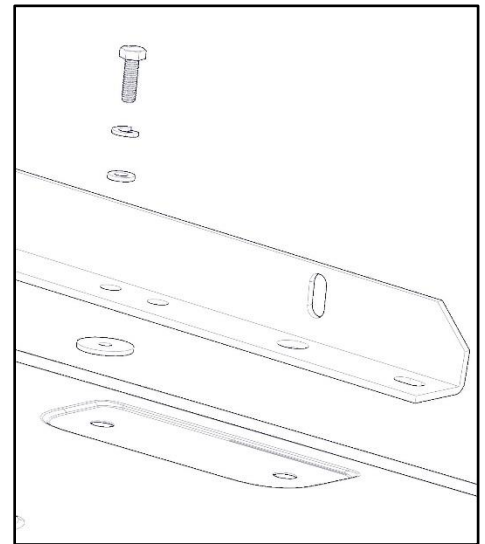
- Locate 6 mounting locations shown on roof of van.
- Install “Top Rail” as shown using M6x20mm bolts with lock washers and flat washers.
- In most installs, the rail upright is to the outside of the van.
- Be sure to put rubber washer between the “Top Rail” and the roof to ensure sealing.
- Place E6000 on and around threads to seal roof. (Passenger side shown)



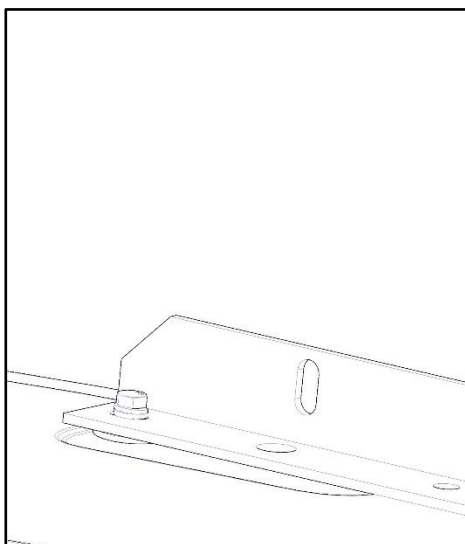
Front EXP



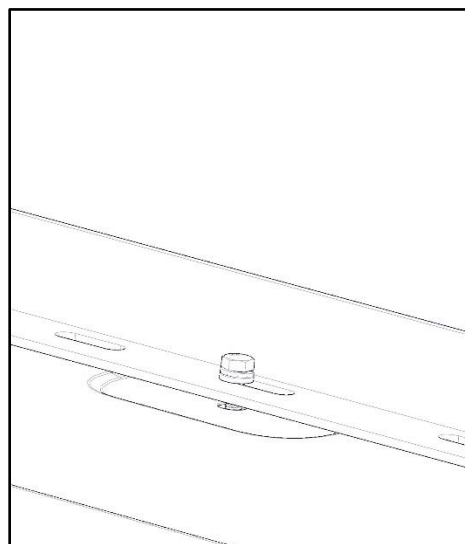
Mid EXP



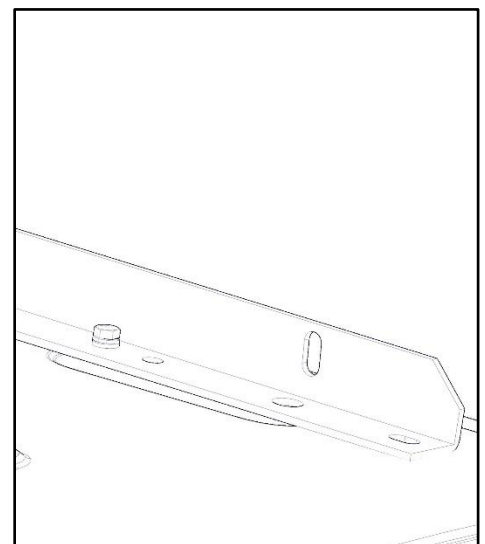
Rear EXP



Front Tighten



Mid Tighten

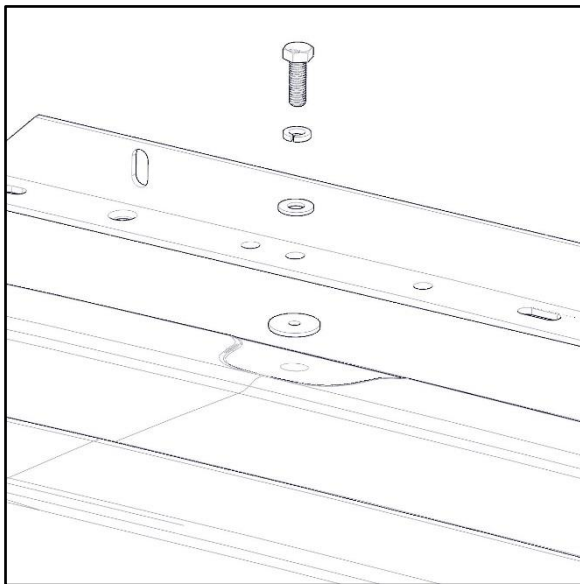
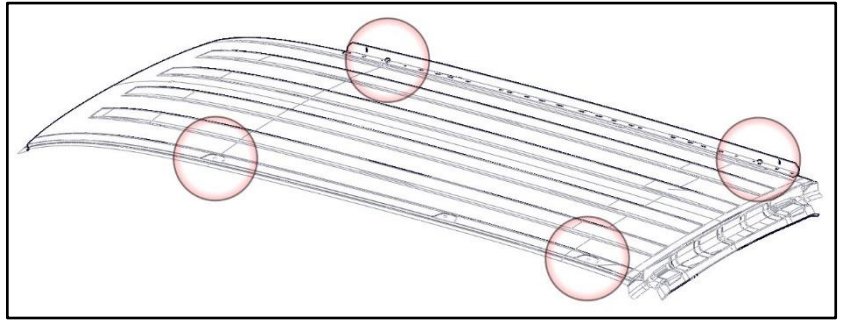


Rear Tighten

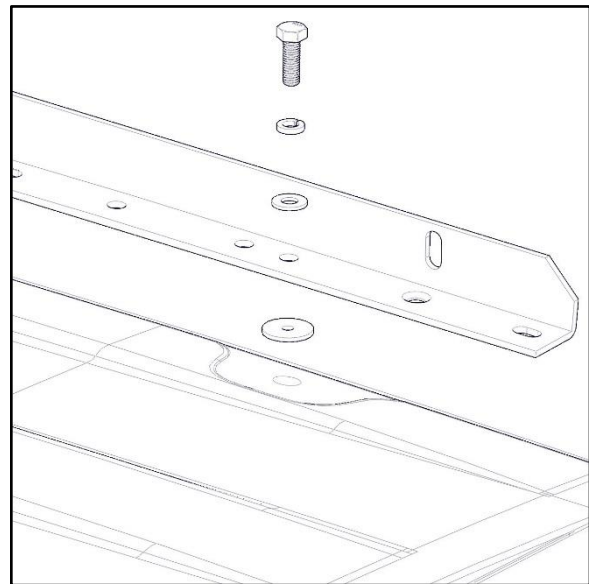
DO NOT EXCEED MANUFACTURERS WEIGHT CAPACITY FOR ROOF

NV200/City Express Installation

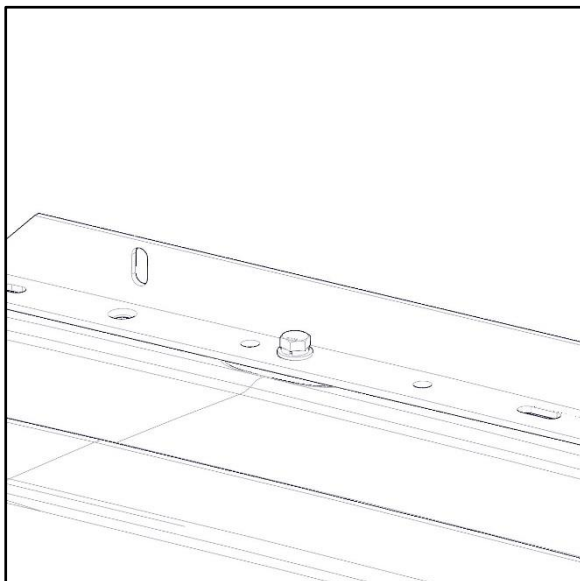
- Locate 4 mounting locations shown on roof of van.
- Install “Top Rail” as shown using M8x25mm bolts with lock washers and flat washers.
- In most installs, the rail upright is to the outside of the van.
- Mount rail so there is about 1” from the rear door opening.
- Be sure to put rubber washer between the “Top Rail” and the roof to ensure sealing.
- Place E6000 on and around threads to seal roof. (Passenger side shown)



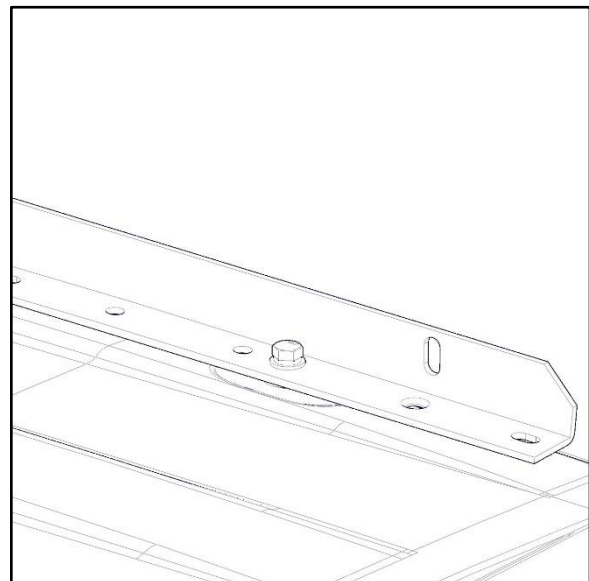
Front EXP



Rear EXP



Front Tighten

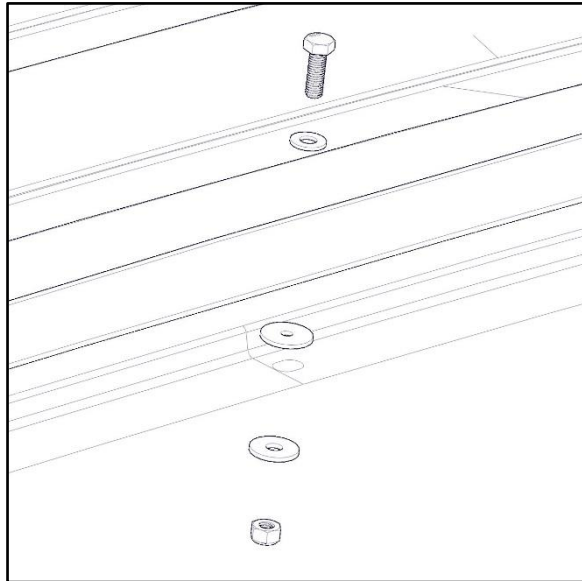
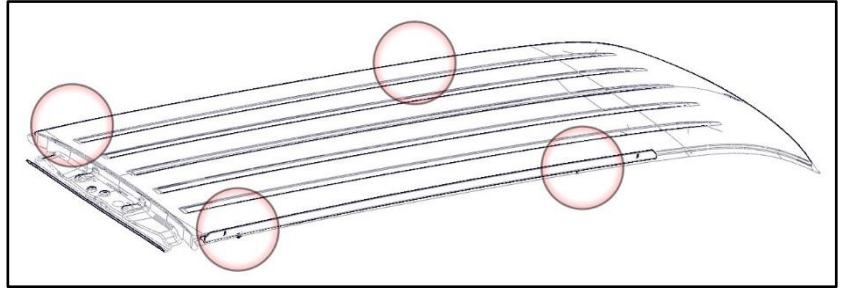


Rear Tighten

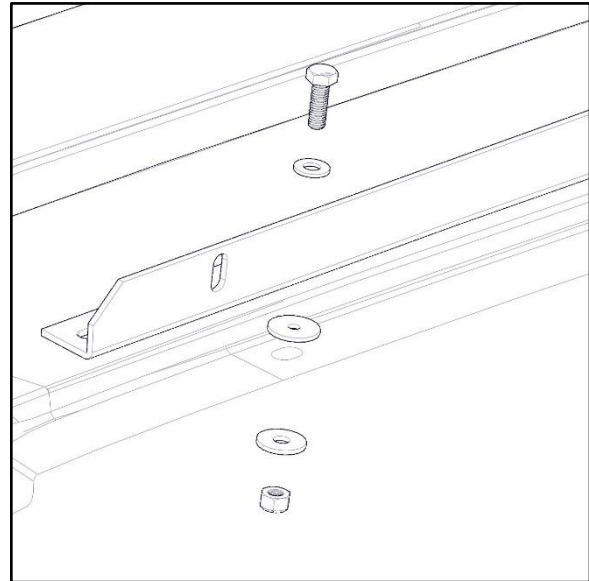
DO NOT EXCEED MANUFACTURERS WEIGHT CAPACITY FOR ROOF

Transit Connect Installation

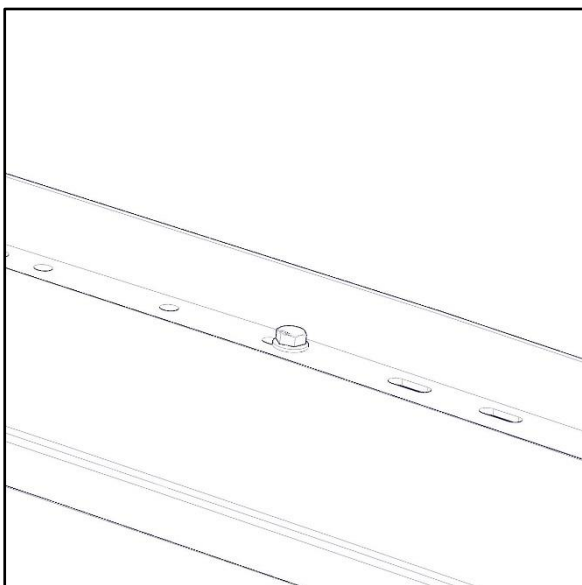
- Locate 4 mounting locations shown on roof of van.
- Be sure to put rubber washer between the “Top Rail” and the roof to ensure sealing.
- In most installs, the rail upright is to the outside of the van.
- Mount rail so there is about 1” from the rear door opening.
- Install “Top Rail” as shown using M8x25mm bolts and flat washers on the outside. Use the fender washer and nylock nut on the inside of the van.
- Place E6000 on and around threads to seal roof. (Passenger side shown)



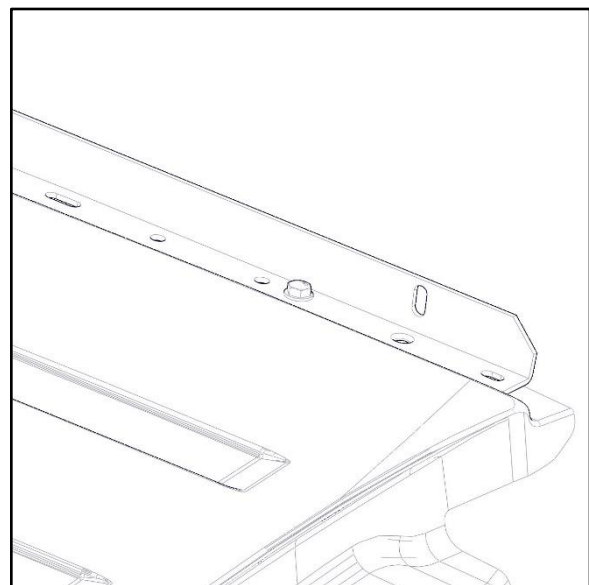
Front EXP



Rear EXP



Front Tighten

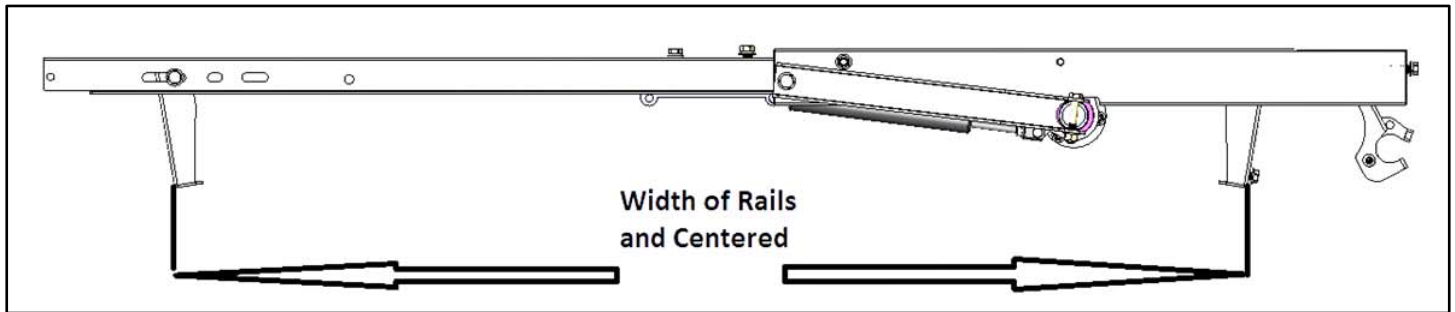


Rear Tighten

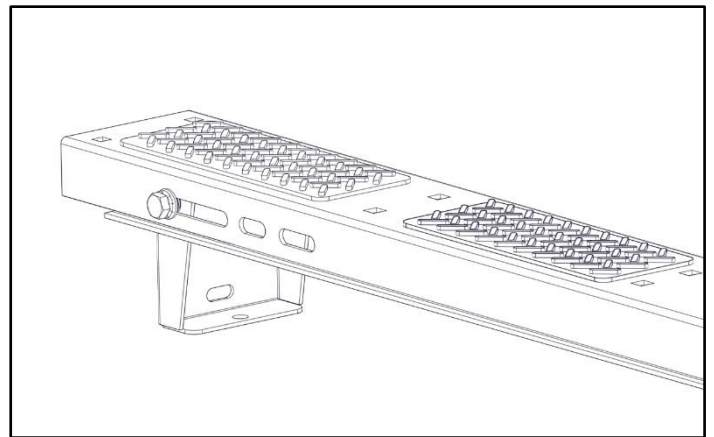
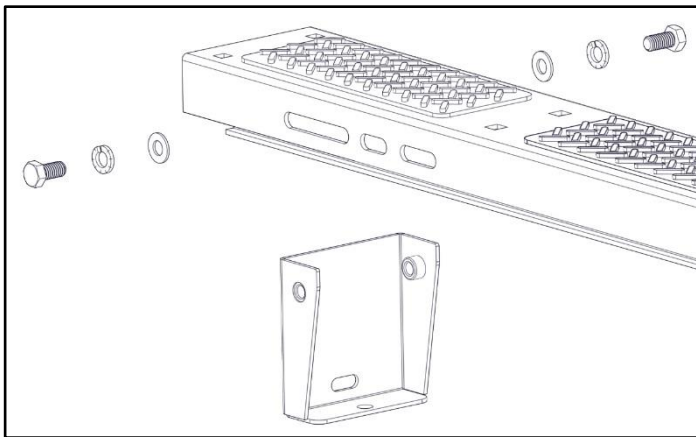
Assembly Instructions

Step 1 – Install Foot

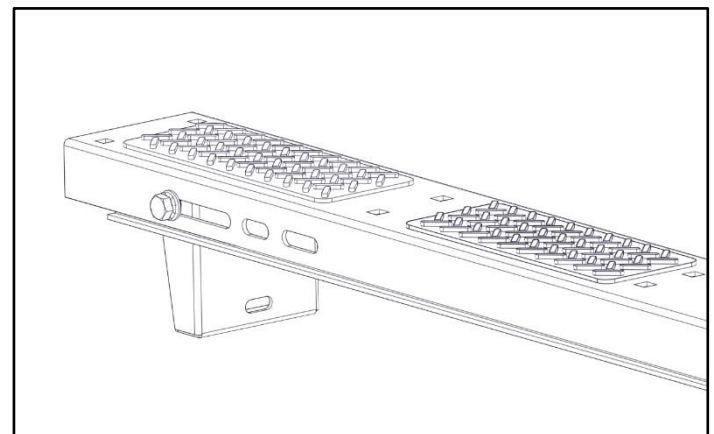
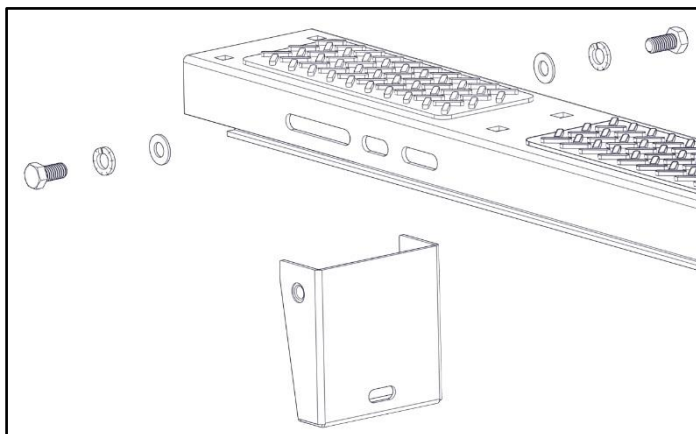
- Measure width between previously installed rails.



- On the cross bows, use the slots that correspond to the measured distance between rails.
- Use a 3/8" x 3/4" hex head bolt, 3/8" lock washers and a 3/8" flat washer to bolt foot to crossmember.
- Bolt feet to bows as shown, DO NOT TIGHTEN at this point.



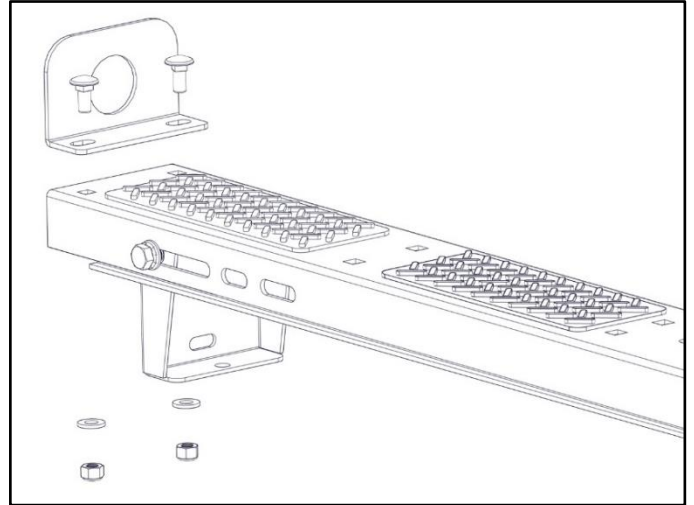
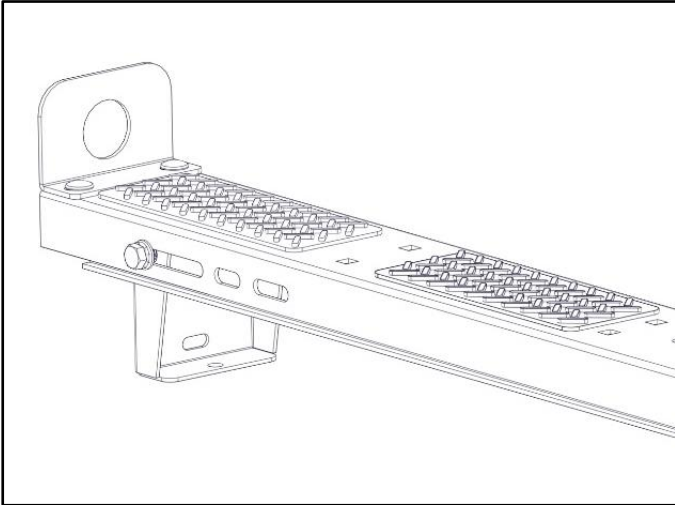
- Feet can be installed as shown above or reverse depending on how you mounted the rail.



- Snug Tighten, but allow movement.

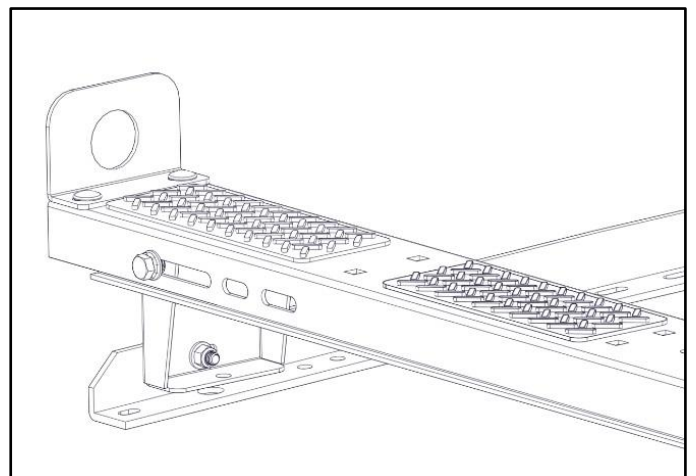
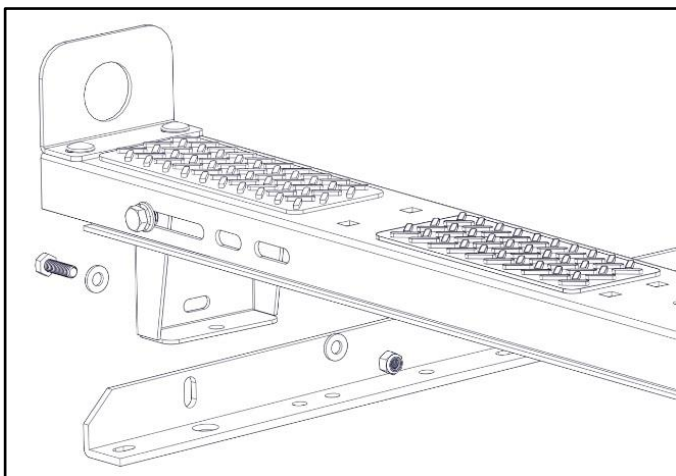
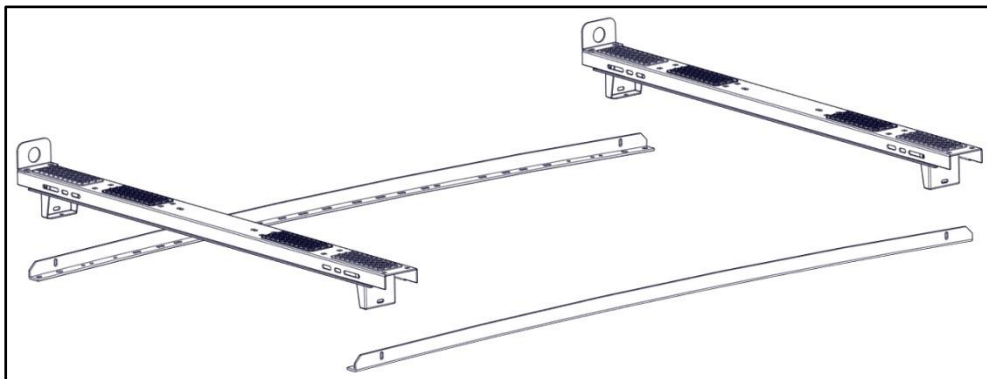
Step 2 – Ladder Stops

- Bolt ladder stops to one end of each bow.
- Use a 5/16" carriage bolt, 5/16" washers and a 5/16" nyloc.
- TIGHTEN.
- Skip adding the ladder stops if adding 4081L.



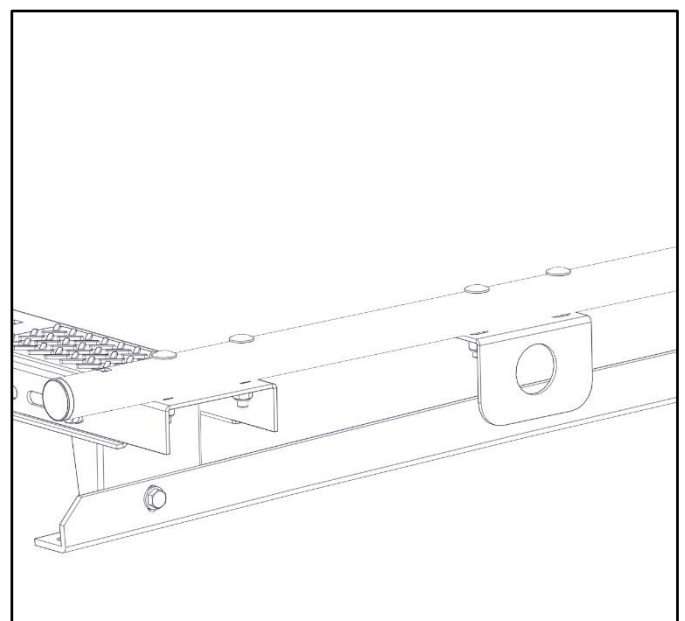
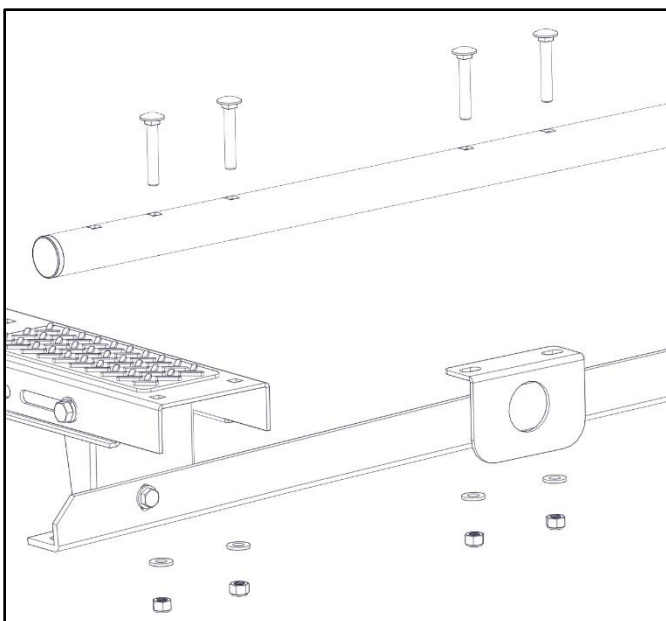
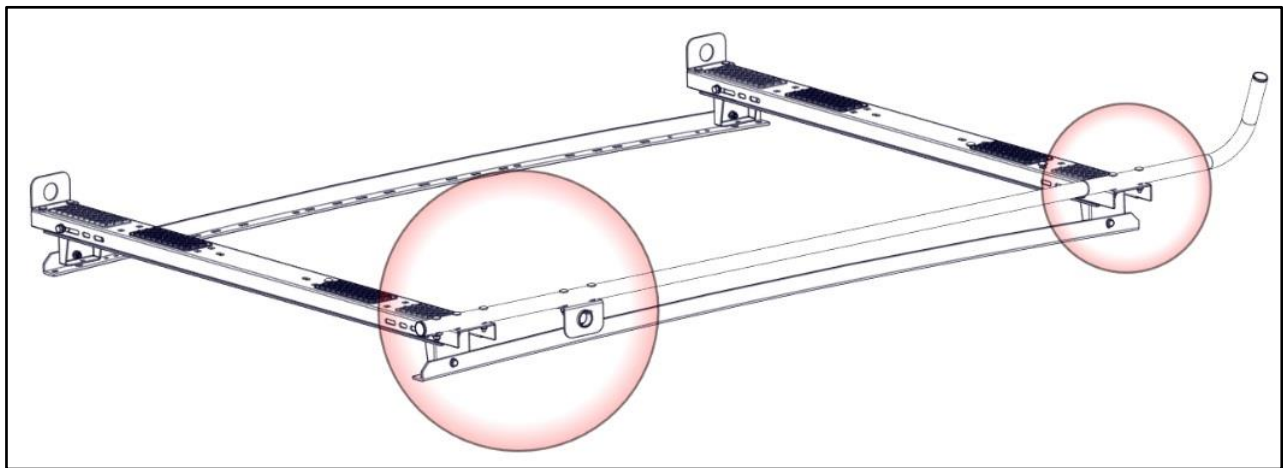
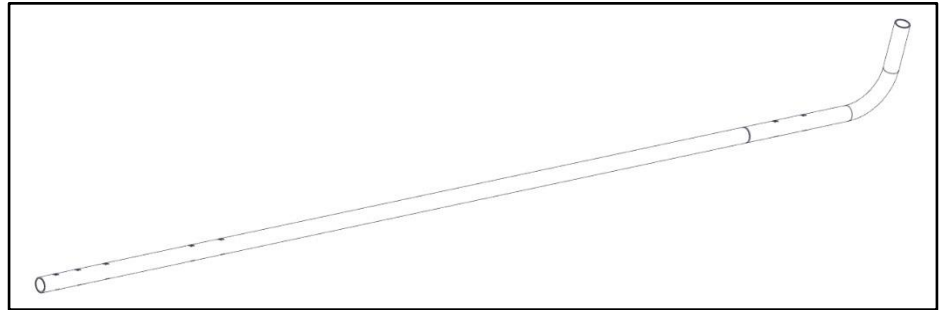
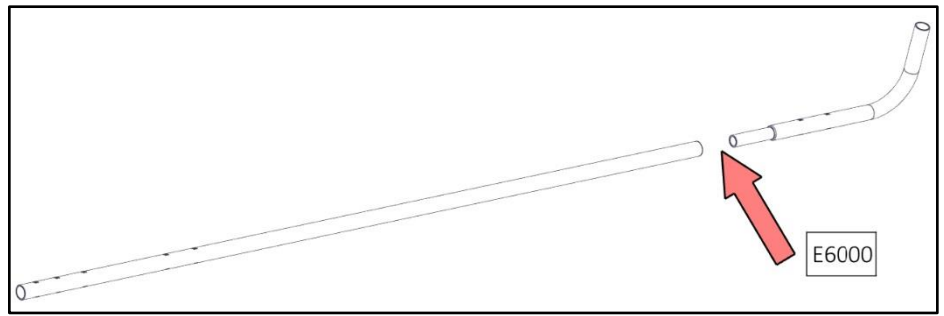
Step 3 – Mount to Rails

- Place both bows on top of installed rails. Bolt feet to rails using 5/16" x 1" HH, two 5/16" flat washers and a 5/16" nyloc nut
- Typically, the ladder hooks go on the driver side of vehicle.
- Snug Tighten, but allow movement.



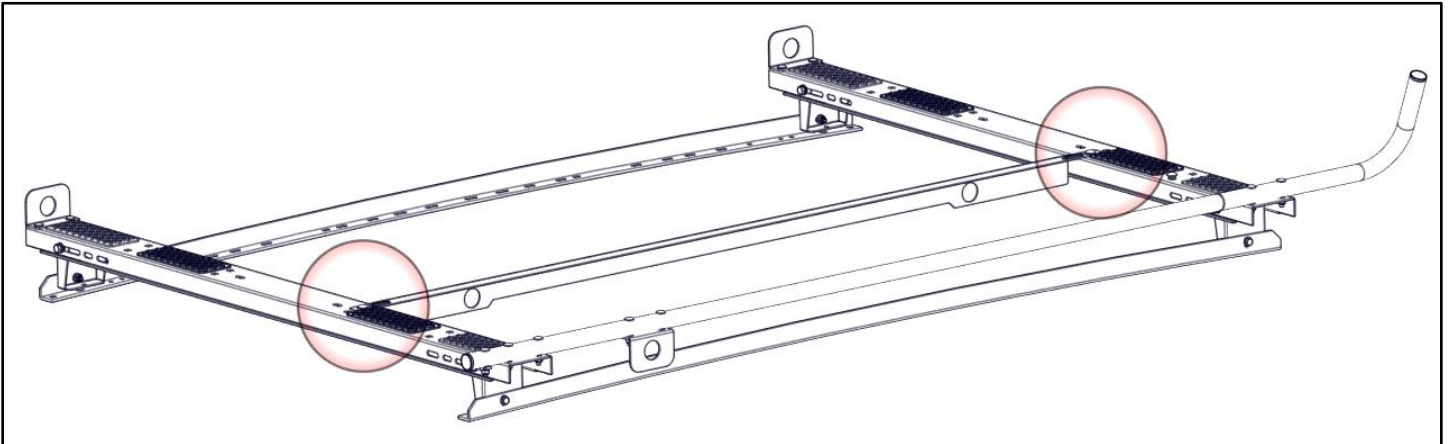
Step 4 – Mount Side Tube

- Assemble side tube. Place E6000 around the connection of the two tubes.
- Place side tube assembly on top of installed bows.
- Have the bend towards the front of the vehicle as shown.
- Mount rotation bar plate to the rear of the tube as shown.
- Leave one square slot open at the rear of the side tube.
- Bolt together using 5/16" x 1-3/4" carriage bolt, a 5/16" flat washer and a 5/16" nyloc.
- Snug Tighten, but allow movement.

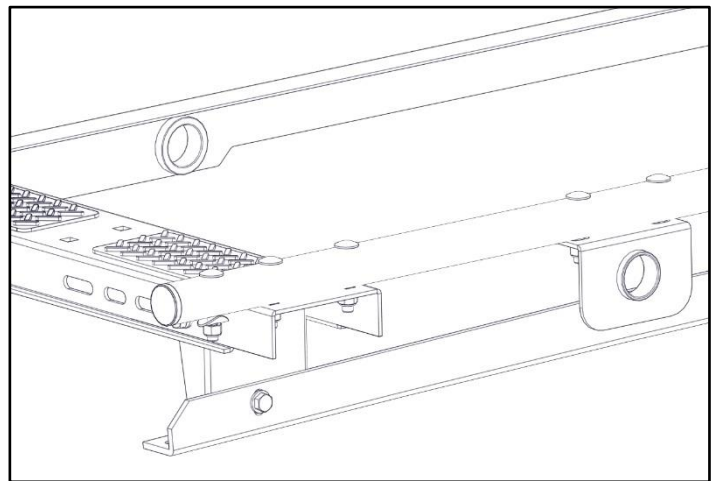
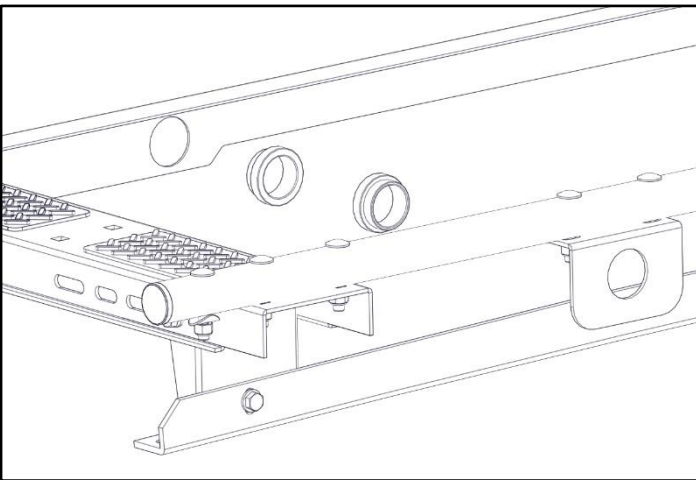


Step 5 – Mount Clamp Tube

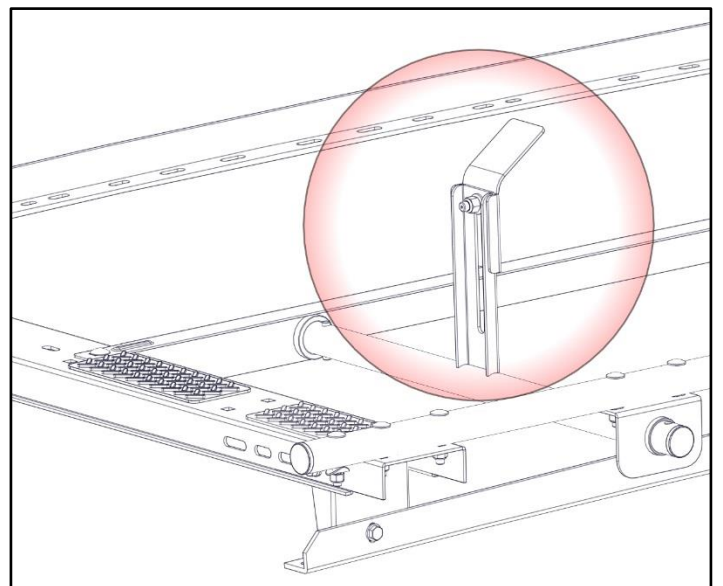
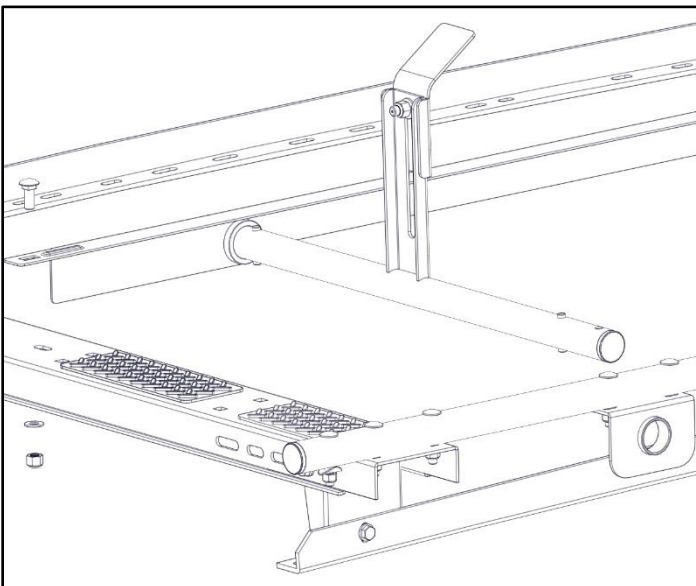
- Place clamp and lock L bracket on top of installed bows, do NOT install any hardware.



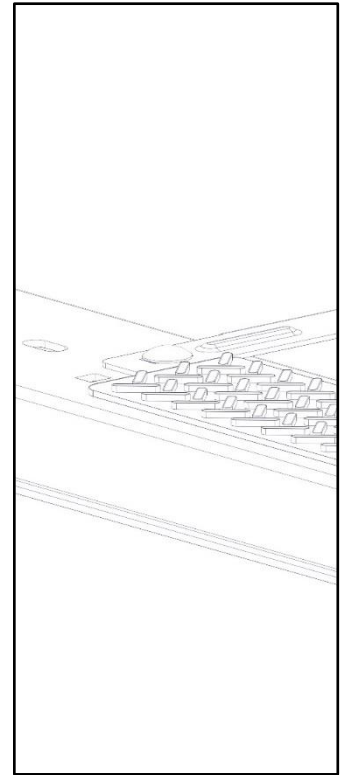
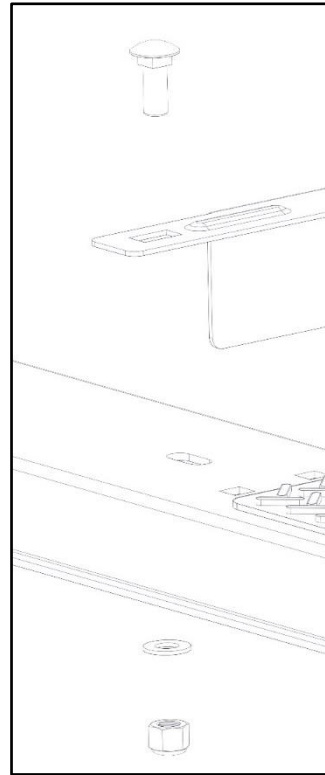
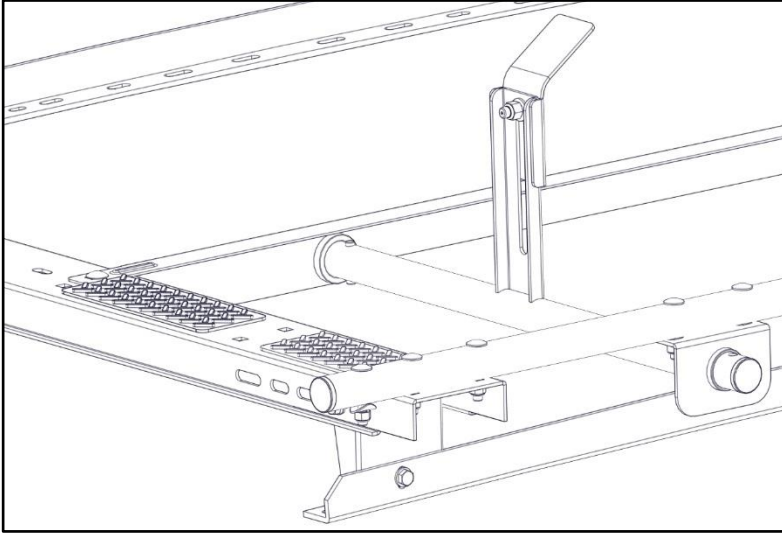
- Insert plastic bushings into the clamp and lock L bracket and the rotation bar plate installed in Step 4, with flanges away from each other and to the inside of the brackets as shown.



- Insert clamp tube into both plastic bushings.
- After installation, adjust clamp on clamp tube to fit firmly against your ladder.

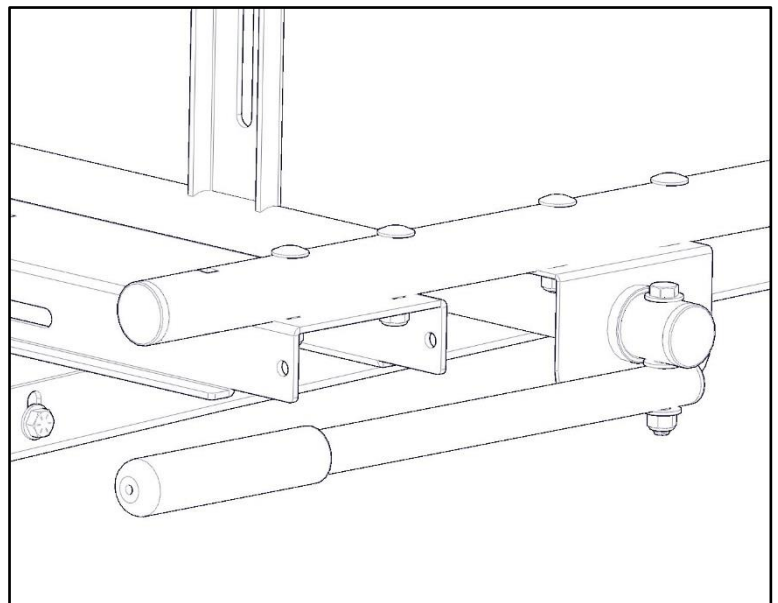
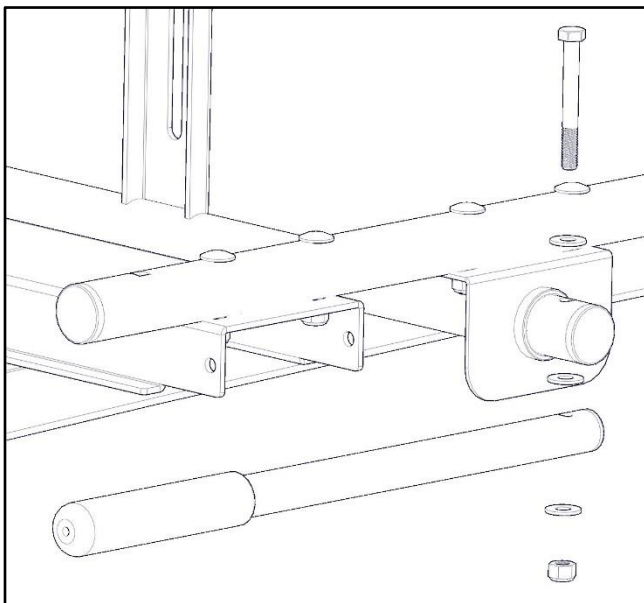


- Bolt clamp and lock L bracket to bows using 3/8" x 1" carriage bolt, 3/8" flat washer and a 3/8" nyloc as shown.
- TIGHTEN



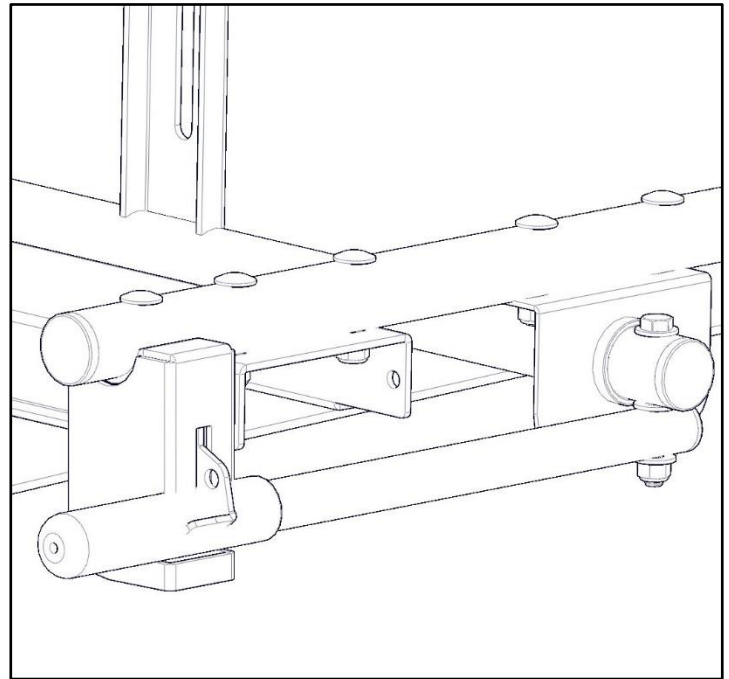
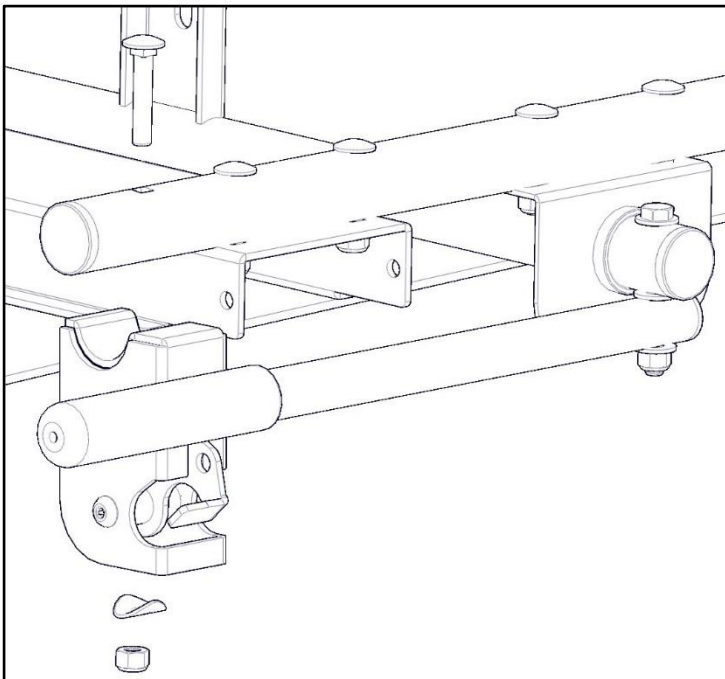
Step 6 – Mount Handle

- Bolt handle to clamp tube using a 5/16" x 2-3/4" hex head, two 5/16" flat washers, 5/16" nylon washer and 5/16" a nyloc. The nylon washer goes in between the clamp tube and handle.
- TIGHTEN



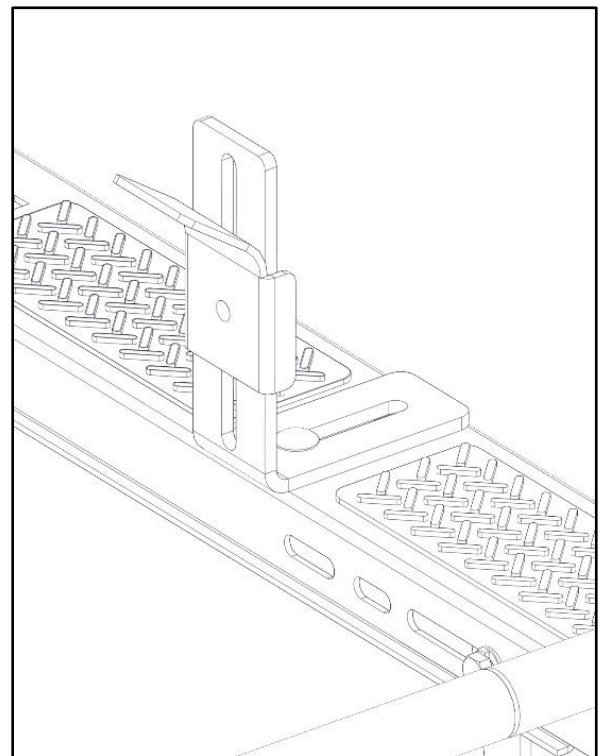
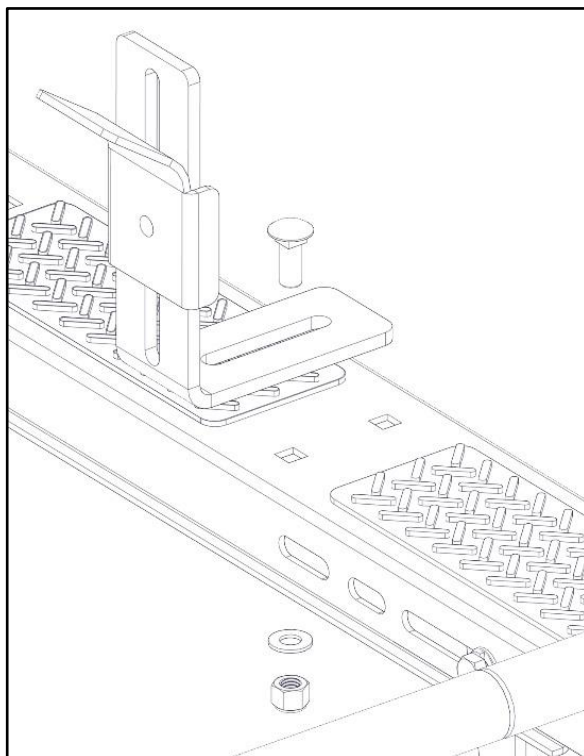
Step 7 – Mount Latch Assembly

- Bolt latch to the rear of the mount tube that was installed in Step 5 using 5/16" x 1-3/4" carriage bolt, 5/16" curved washer and a 5/16" nyloc.
- TIGHTEN



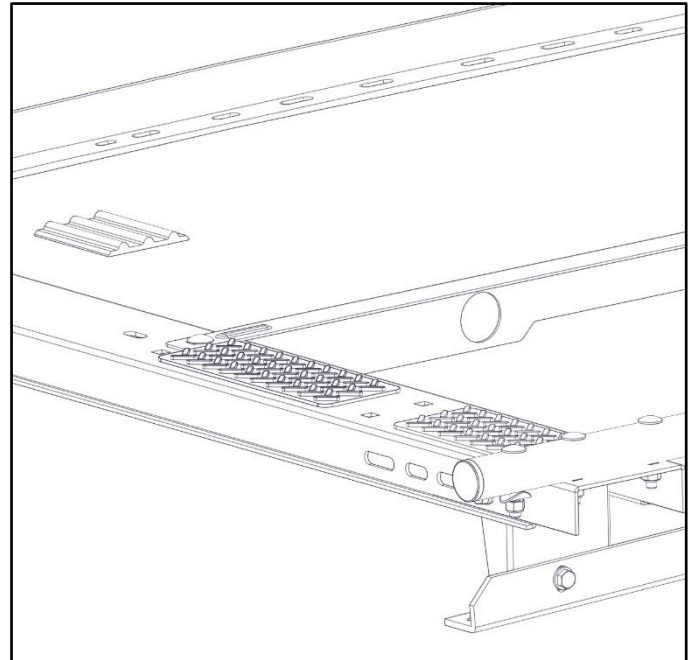
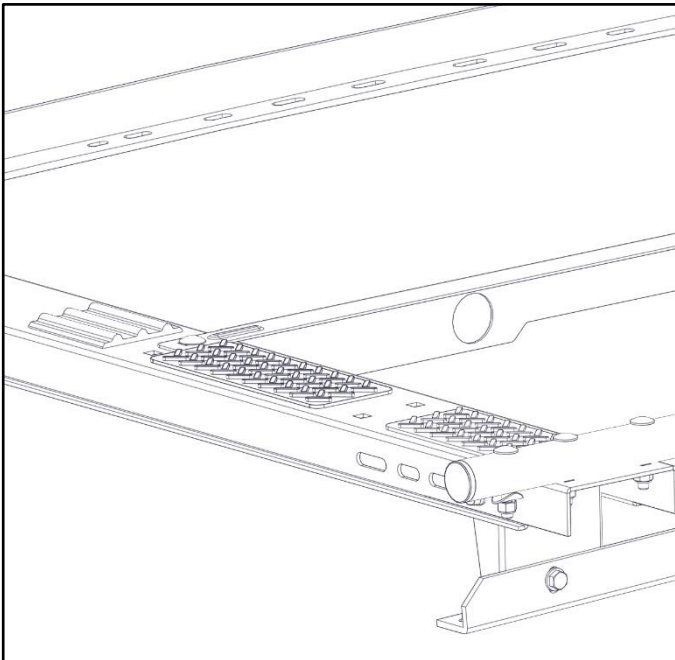
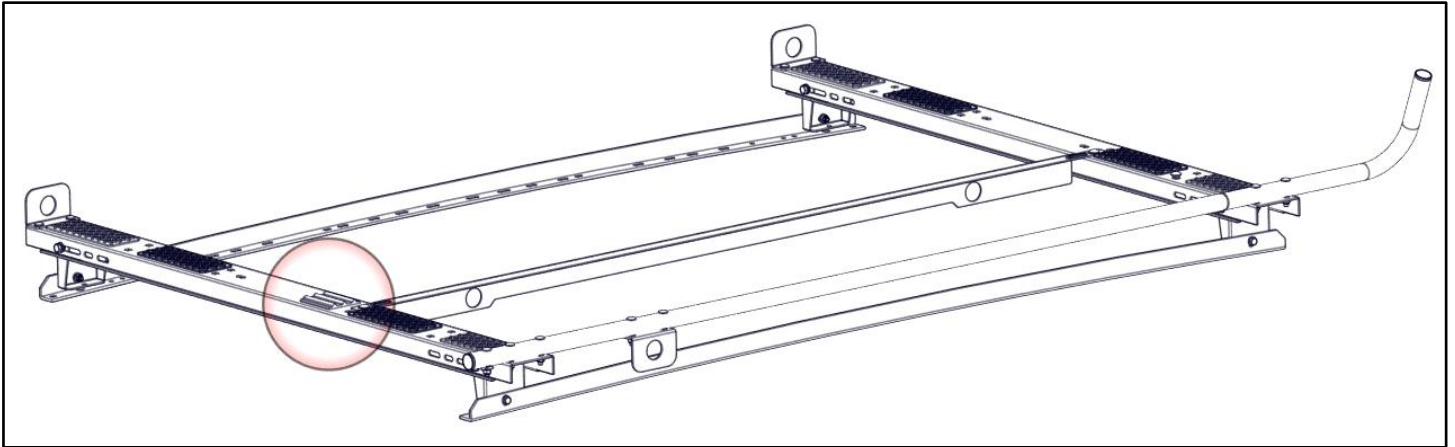
Step 8 – Mount Ladder Hook Bracket to Bow

- Bolt ladder hook bracket to the bow in the orientation shown using a 3/8" x 1" carriage bolt, a 3/8" flat washer and a 3/8" nyloc. Be sure the bracket is square to the bow.
- Adjust clamp on bracket to fit firmly against your ladder.
- TIGHTEN



Step 9 – Place Rubber Bumper

- Adjust clamp on bracket to fit firmly against your ladder.
- If ladder rests on cross bow, place extra rubber bumper to avoid scratching.



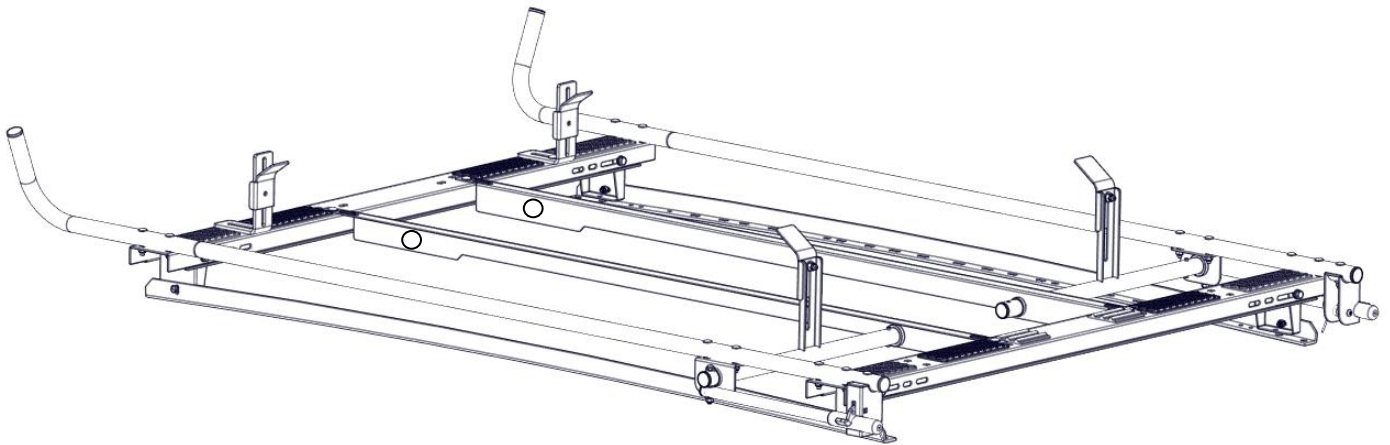
GO BACK AND ENSURE ALL HARDWARE IS TIGHT
Your installation is now complete.

KARGO MASTER[®]

WE PUT EVERYTHING WITHIN REACH.

Instruction Guide

4081L



***PLEASE READ ALL INSTRUCTIONS AND WARNINGS PRIOR TO ASSEMBLING,
INSTALLING, AND USING THIS PRODUCT***

Warning



Always check for wires, fuel tanks and lines, brake lines and other important vehicle functionality items prior to drilling and installing all products.

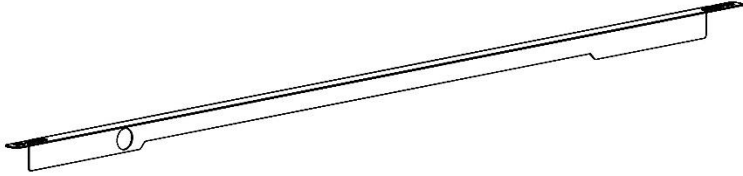
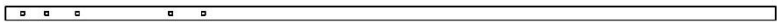

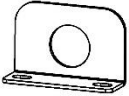
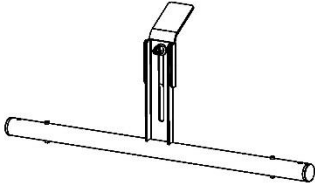
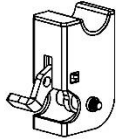
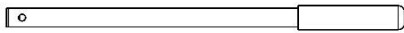
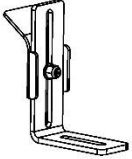
Tools Needed

| | |
|-------------------------|------------------------|
| 9/16" Socket and Wrench | 1/2" Socket and Wrench |
|-------------------------|------------------------|

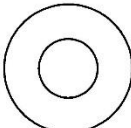

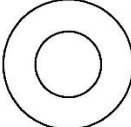
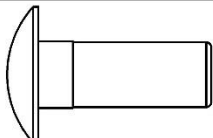
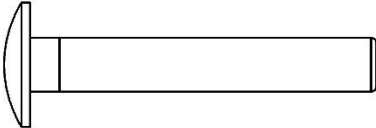
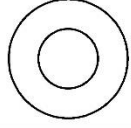

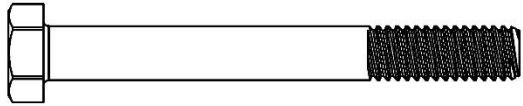
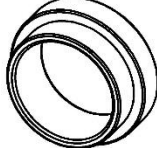
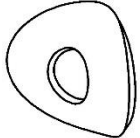
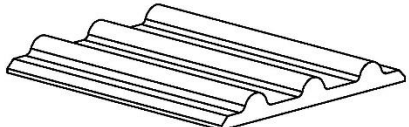
Before You Begin

- Read all instructions. Find your vehicle roof rail mounting prior to rack assembly.
 - Be sure to put E6000 sealant around all threads entering cargo area and between the rubber spacer and roof of vehicle to prevent water from leaking into cargo area.
 - **DO NOT EXCEED MANUFACTURERS WEIGHT CAPACITY FOR ROOF**
 - **PLACE ANTI-SEEZE ON ALL THREADS**
-

Parts

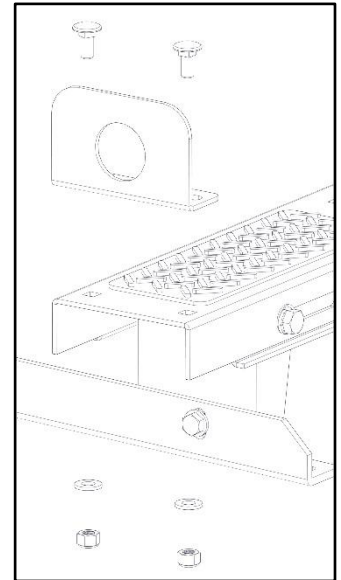
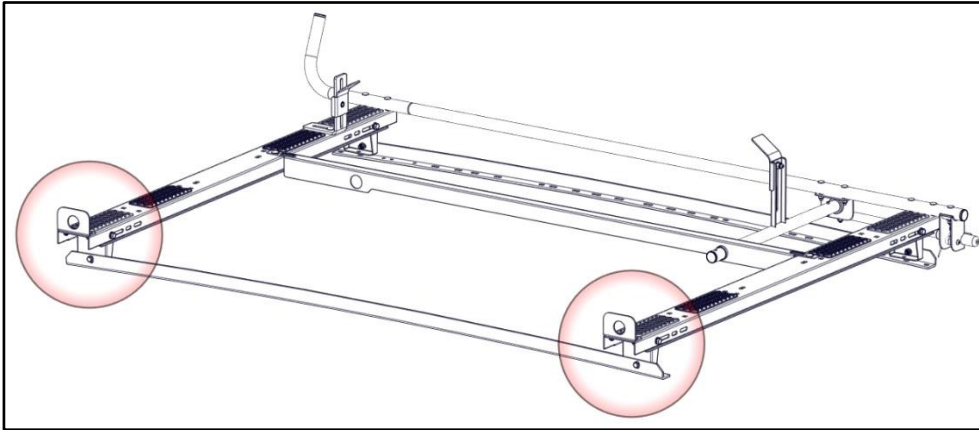
| ITEM NO. | | PART NUMBER | DESCRIPTION | QTY. |
|----------|-------------------------------------------------------------------------------------|-------------------|------------------------|------|
| A |  | 11-03005-R2-L | DS LONG ANGLE BRK | 1 |
| B |  | 40800-50-001 | TUBE | 1 |
| C |  | 40800-50-002-R1-L | DS BEND TUBE | 1 |
| D |  | 11-03027 | ANGLE BRK | 1 |
| E |  | 13-03007-R1 | PIVOT LADDER CLAMP ASM | 1 |
| F |  | 40813-44 | HANDLE CLAMP ASM | 1 |
| G |  | 13-03008-R2 | HANDLE ASM | 1 |
| H |  | 13-03009 | LADDER CLAMP ASM | 1 |
| | | 18-4081L | HARDWARE | 1 |

Assembly Hardware (18-4081L)

| ITEM NO. | TO SCALE | PART NUMBER | DESCRIPTION | QTY. |
|----------|-------------------------------------------------------------------------------------|---------------------------|---------------------------|------|
| 1 |  | 90295A160 | .06x.34x.75 Nylon Washer | 2 |
| 2 |  | .375-16 NYLOC | 3/8-16 Nyloc Nut | 3 |
| 3 |  | .375 FLAT WASHER | 3/8 Flat Washer | 3 |
| 4 |  | .375-16 x 1 Carriage | 3/8-16x1 Carriage Bolt | 3 |
| 5 |  | .312-18x2.0 CARRIAGE BOLT | 5/16-18x2.0 Carriage Bolt | 7 |
| 6 |  | 96659A107 | 5/16 FLAT WASHER | 8 |
| 7 |  | 91831A030 | 5/16 NYLOC | 8 |
| 8 |  | .312-18 X 2.75 HEX BOLT | 5/16-18x2 3/4 Hex Bolt | 1 |
| 9 |  | 40800-10-007 | | 2 |
| 10 |  | 91844A230 | 5/16 CONTOUR WASHER | 1 |
| 11 |  | Extra Rubber Pad | 1:2 SCALE | 1 |

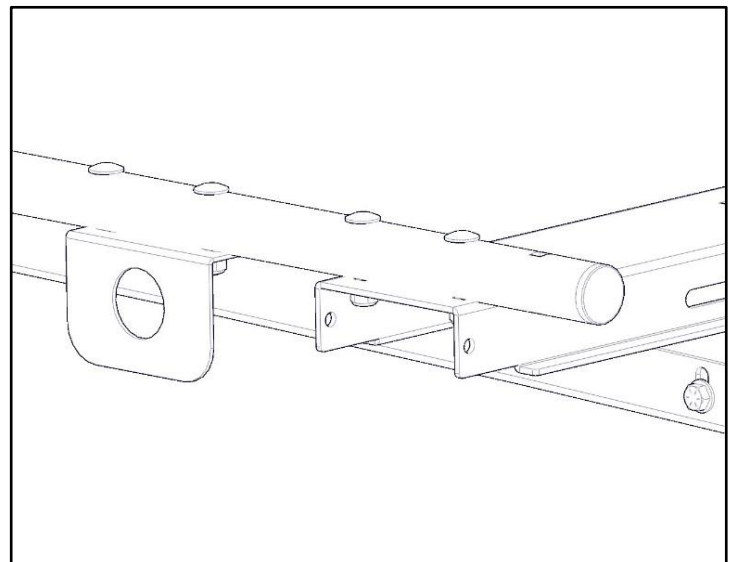
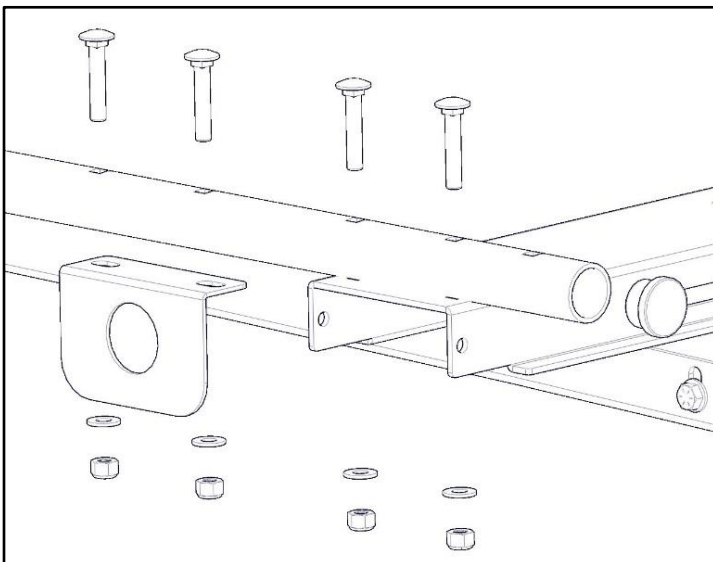
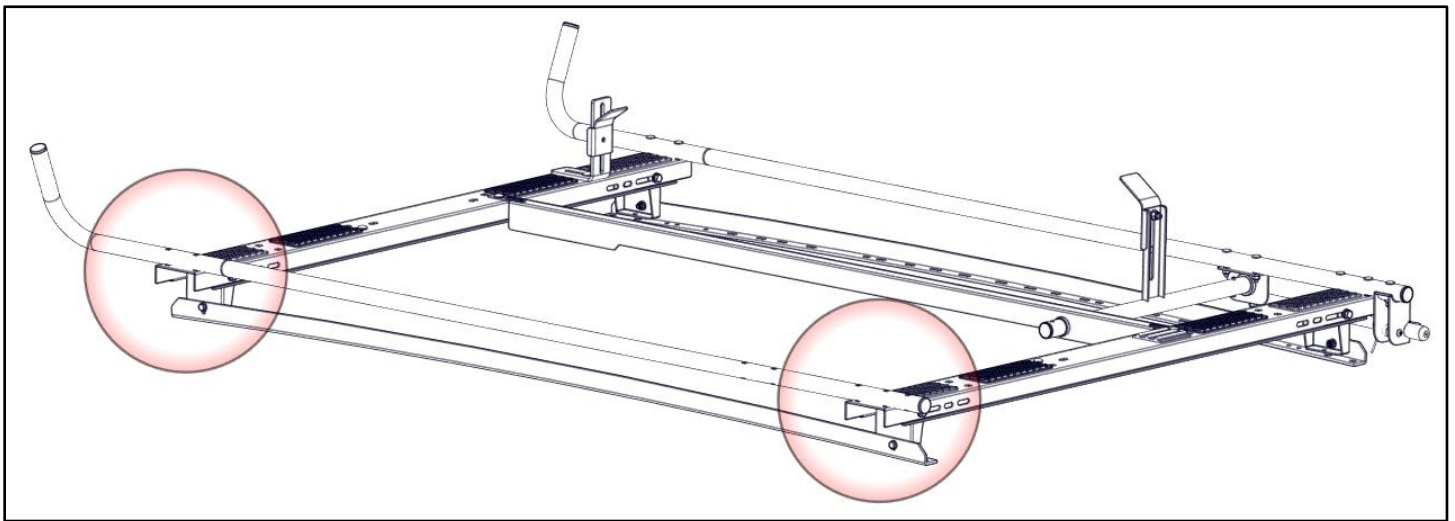
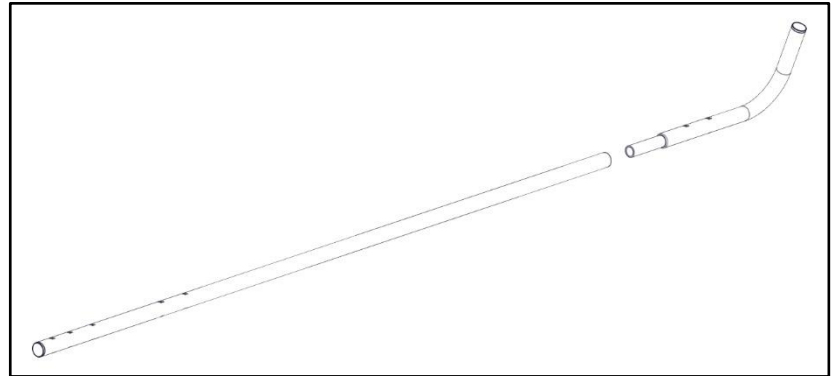
Step 1 – Remove Ladder Stops

- If havent already done so, remove ladder stops from opposite end of both bows where the clamp and lock is installed.



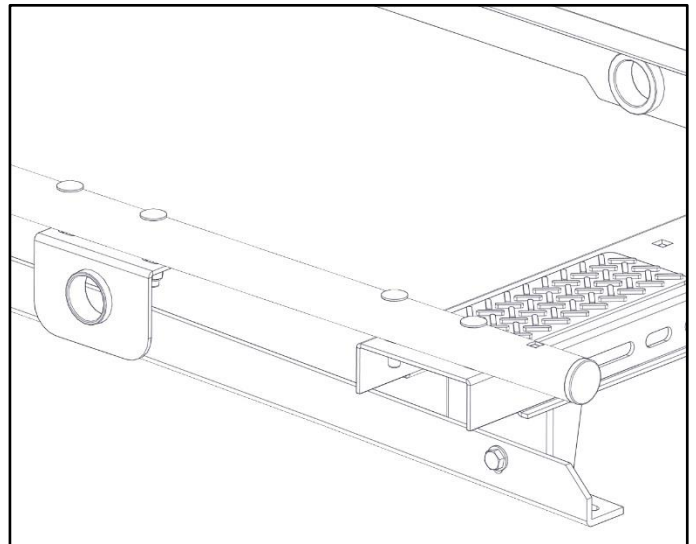
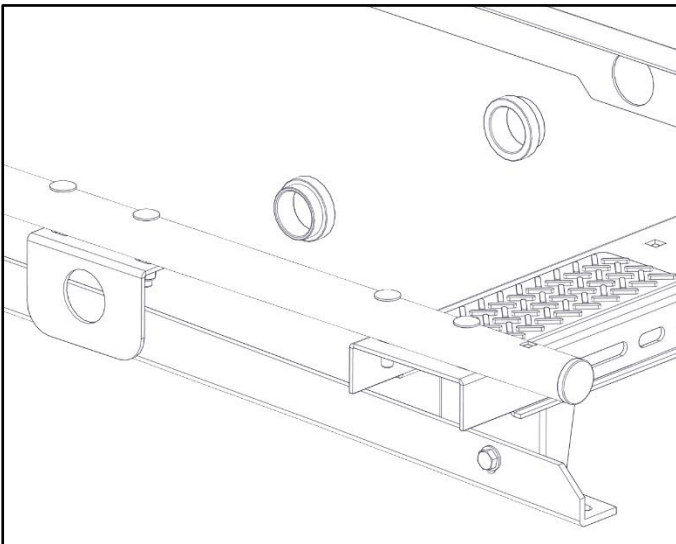
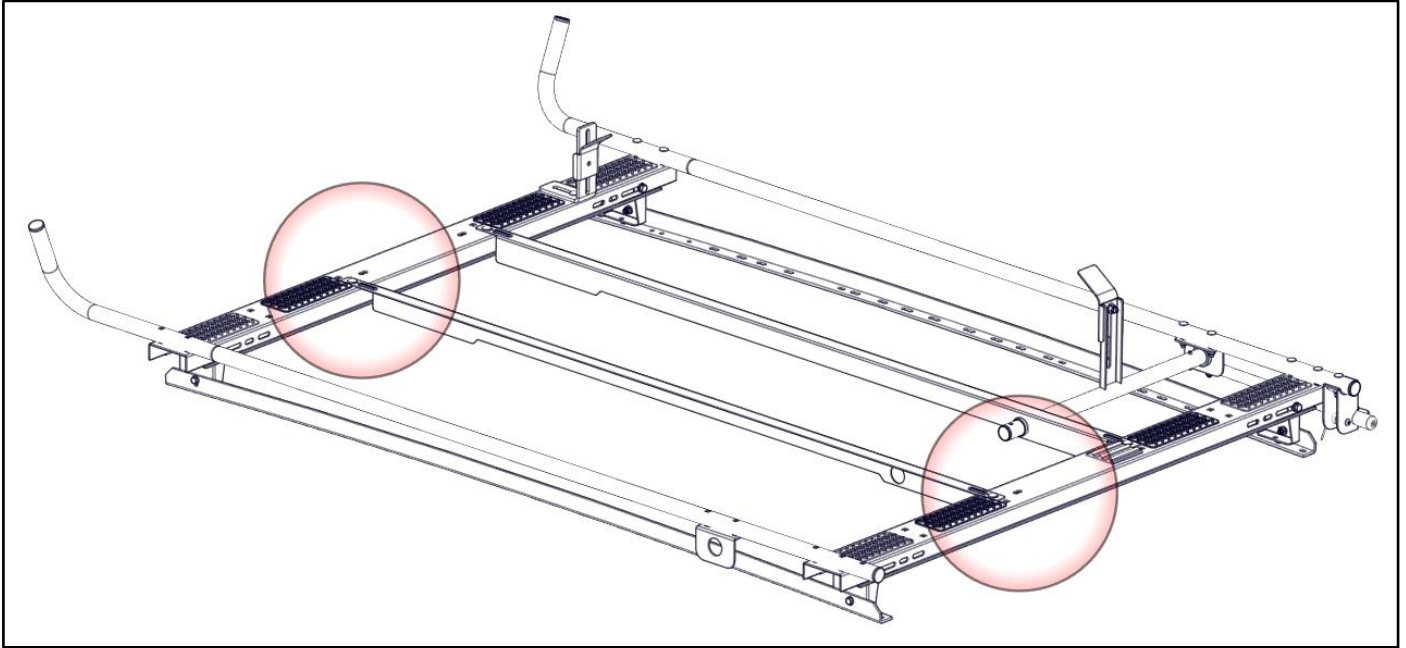
Step 2 – Mount Side Tube

- Place a generous amount of E6000 into the tube connection.
- Place side tube on top of installed bows.
- Have the bend towards the front of the vehicle as shown.
- Mount rotation bar plate to the rear of the tube as shown.
- Leave one square slot open at the rear.
- Bolt together using 5/16" x 1-3/4" carriage bolt, a 5/16" flat washer and a 5/16" nyloc.
- Snug Tighten, but allow movement.

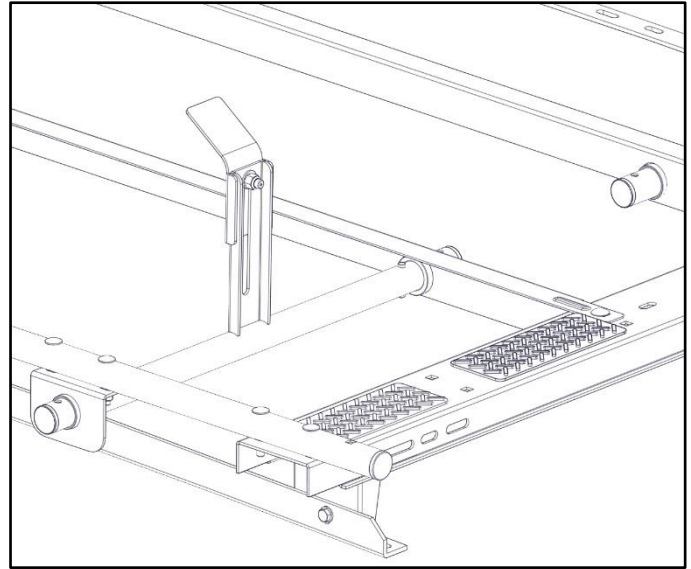
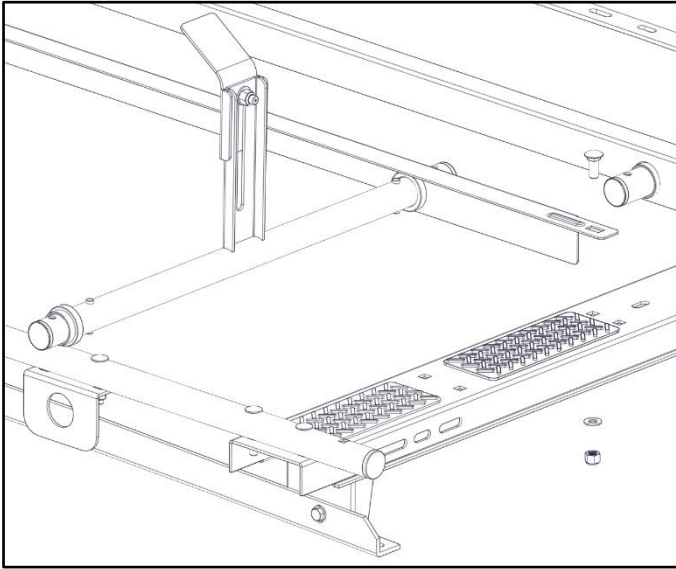


Step 3 – Mount Clamp Tube

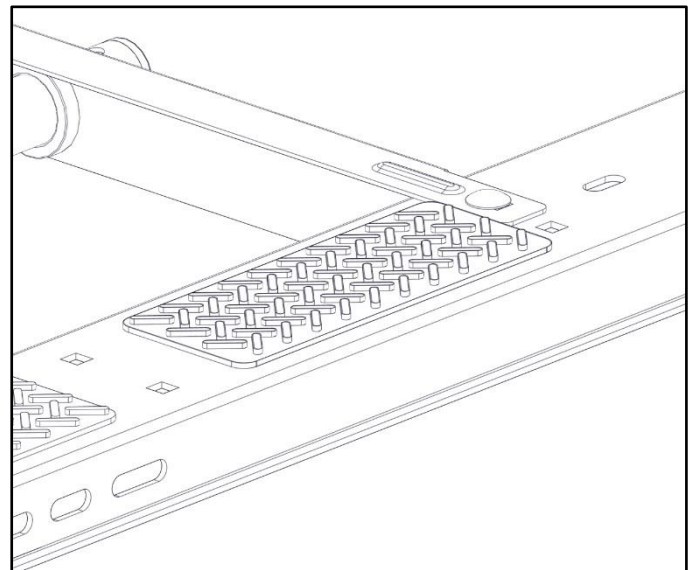
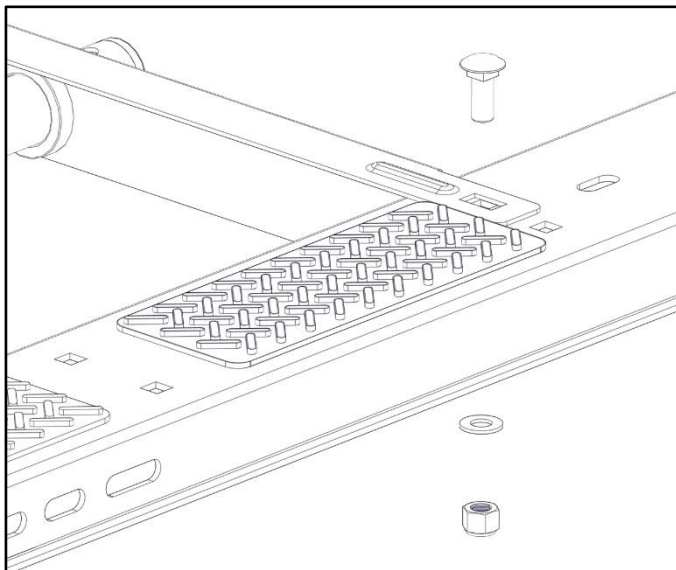
- Place clamp and lock L bracket on top of installed bows. Do not install hardware right now.
- Insert plastic bushings into the clamp and lock L bracket and the rotation bar plate installed in Step 2, with flanges as shown so they cannot come out at a later time. If bushings are not placed in correct orientation, they can fall out.



- Insert clamp tube into both plastic bushings.
- Adjust clamp on clamp tube to fit firmly against your ladder.

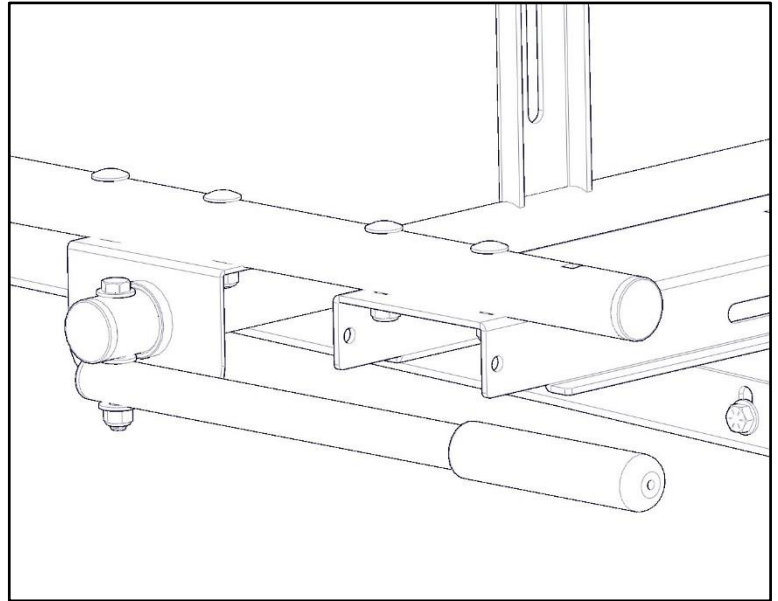
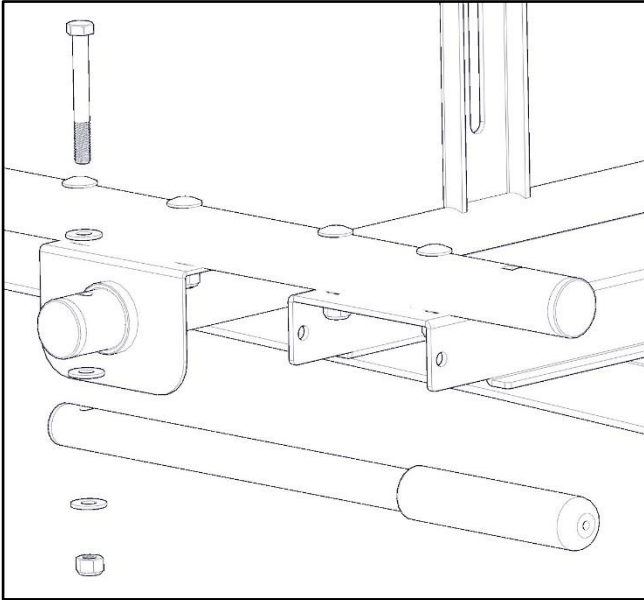


- Bolt clamp and lock L bracket to bows using 3/8" x 1" carriage bolt, 3/8" flat washer and a 3/8" nyloc as shown. (This view shown without clamp tube)
- TIGHTEN



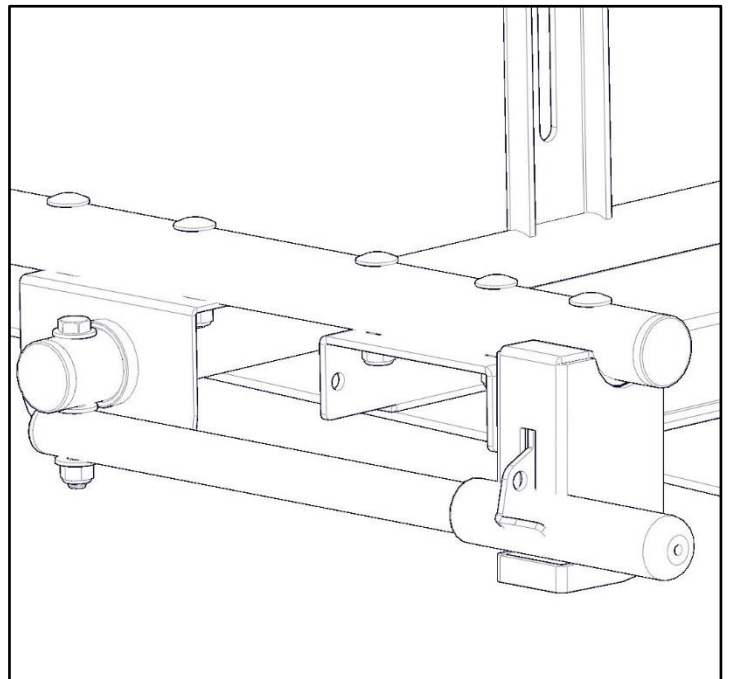
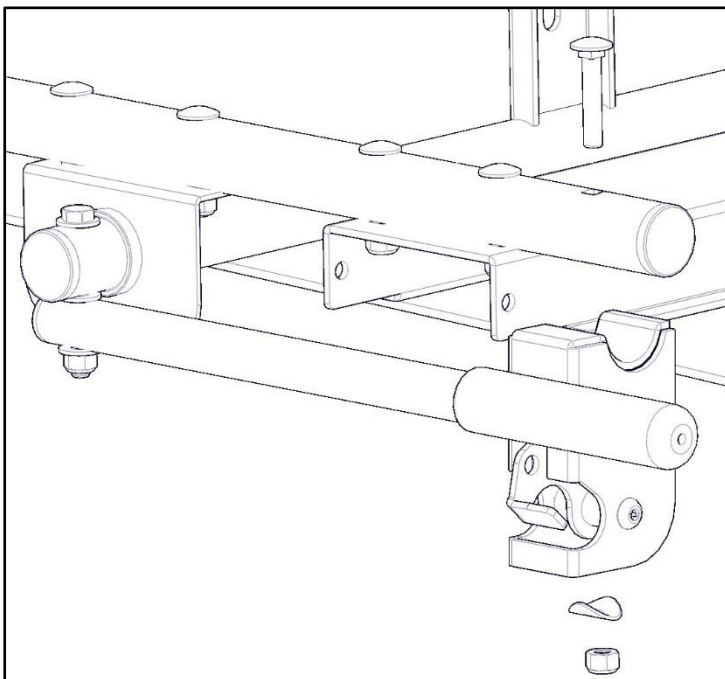
Step 4 – Mount Handle

- Bolt handle to clamp tube using a 5/16" x 2-3/4" hex head, two 5/16" flat washers, 5/16" nylon washer and 5/16" a nyloc. The nylon washer goes in between the clamp tube and handle.
- TIGHTEN



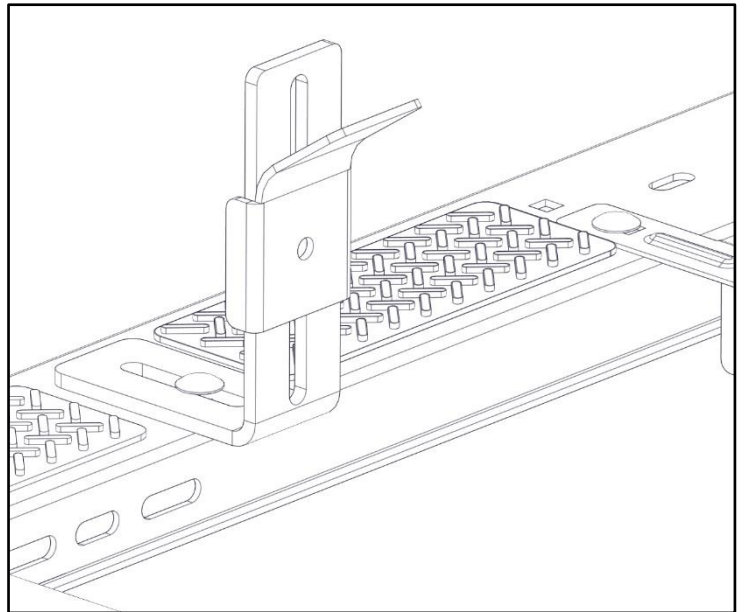
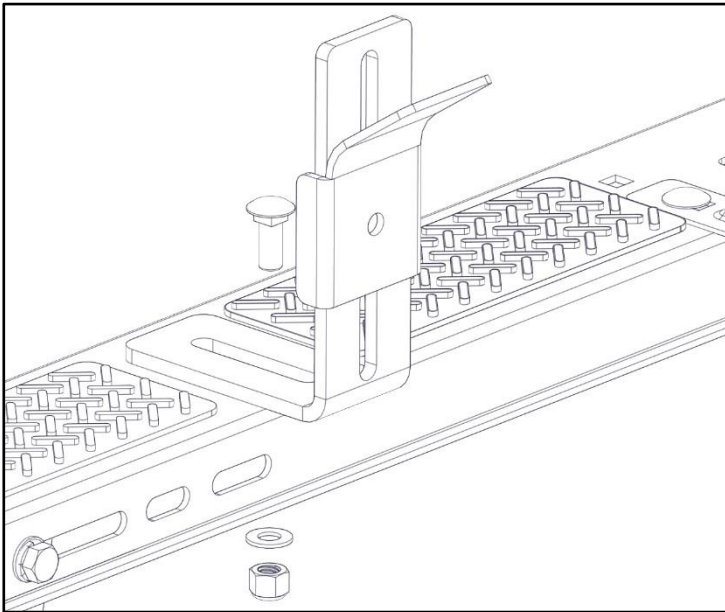
Step 5 – Mount Latch Assembly

- Bolt latch to the rear of the mount tube that was installed in Step 5 using 5/16" x 1-3/4" carriage bolt, 5/16" curved washer and a 5/16" nyloc.
- TIGHTEN



Step 6 – Mount Ladder Hook

- Bolt ladder hook bracket to the bow in the orientation shown using a 3/8" x 1" carriage bolt, a 3/8" flat washer and a 3/8" nyloc. Be sure the bracket is square to the bow.
- Adjust clamp on bracket to fit firmly against your ladder.
- TIGHTEN



GO BACK AND ENSURE ALL HARDWARE IS TIGHT
Your installation is now complete.