

---

# **KARGO MASTER<sup>®</sup>**

**WE PUT EVERYTHING WITHIN REACH.**

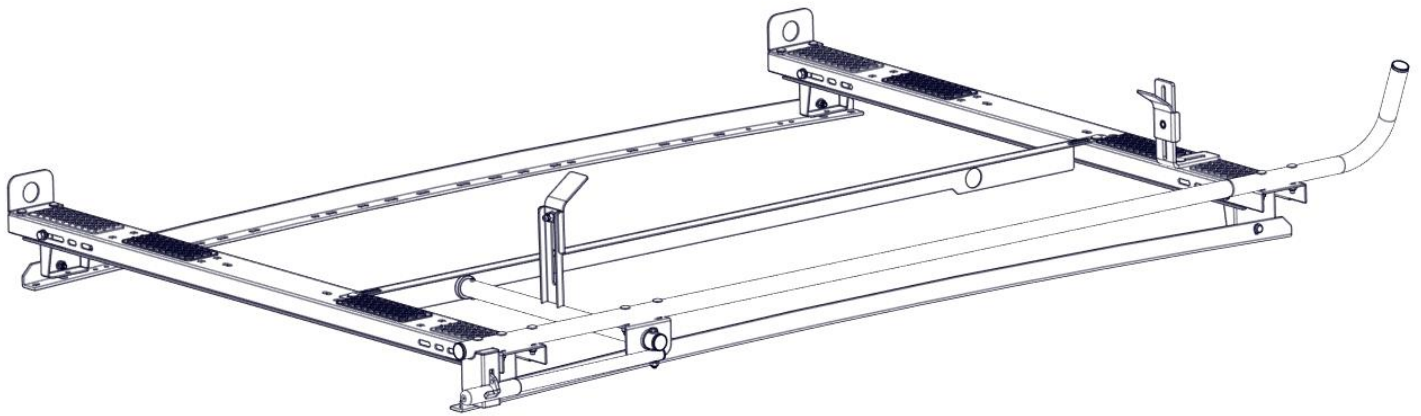
---

## Instruction Guide

---

4080L

---



---

**\*PLEASE READ ALL INSTRUCTIONS AND WARNINGS PRIOR TO ASSEMBLING,  
INSTALLING, AND USING THIS PRODUCT\***

---

## Warning



Always check for wires, fuel tanks and lines, brake lines and other important vehicle functionality items prior to drilling and installing all products.

---

## Tools Needed


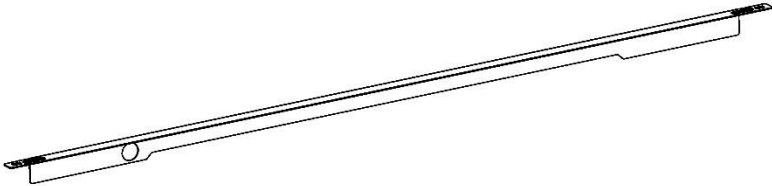


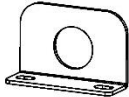
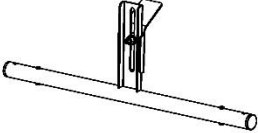

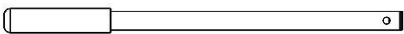
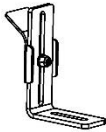

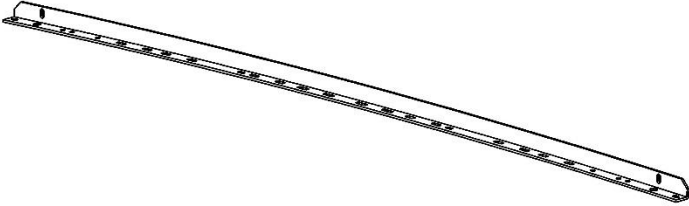
13mm Socket and Wrench	10mm Socket and Wrench
5mm Allen Hex	9/16" Socket and Wrench
7/16" Socket and Wrench	1/2" Socket and Wrench

---

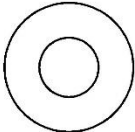
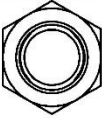
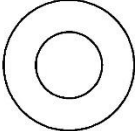
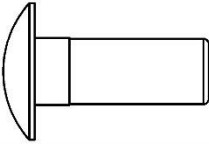
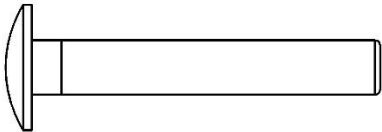
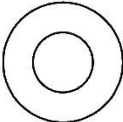

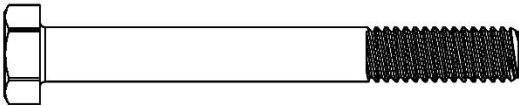
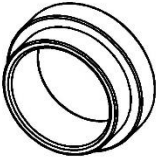
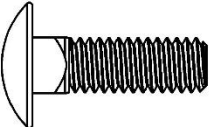
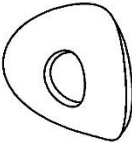
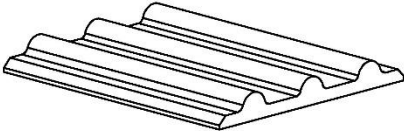
## **Before You Begin**

- Read all instructions. Find your vehicle roof rail mounting prior to rack assembly.
  - Be sure to put E6000 sealant around all threads entering cargo area and between the rubber spacer and roof of vehicle to prevent water from leaking into cargo area.
  - **DO NOT EXCEED MANUFACTURERS WEIGHT CAPACITY FOR ROOF**
-

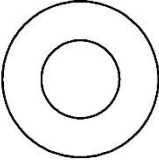
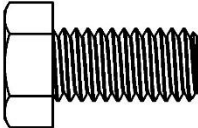
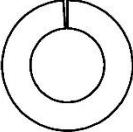
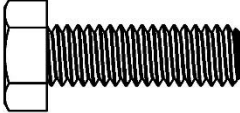
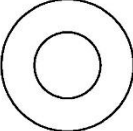

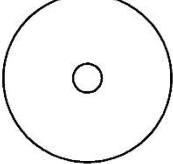
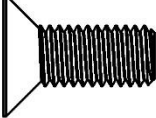
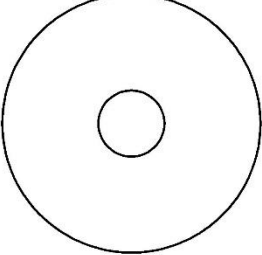
## Parts

ITEM NO.		PART NUMBER	DESCRIPTION	QTY.
A		4090L-10-001	BOW W/ PADS	2
B		11-03005-R2-R	PS LONG ANGLE BRK	1
C		40800-50-001	PS TUBE	1
D		40800-50-002-R1-R	PS BEND TUBE	1
E		11-03027	ANGLE BRK	3
F		13-03007-R1	PIVOT LADDER CLAMP ASM	1
G		40813-44	HANDLE CLAMP ASM	1
H		13-03008-R2	HANDLE ASM	1
J		13-03009	LADDER CLAMP ASM	1
K		40800-17	FOOT ASM	4
L		11-03098-R2	MOUNT RAIL	2
		18-4080L	MOUNT HARDWARE	1
		18-40800	ASSEMBLY HARDWARE	1


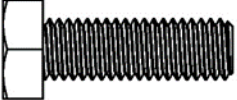
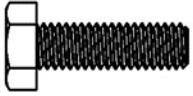
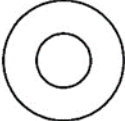
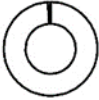

Hardware (18-40800)

ITEM NO.	TO SCALE	PART NUMBER	DESCRIPTION	QTY.
1		90295A160	.06x.34x.75 Nylon Washer	2
2		.375-16 NYLOC	3/8-16 Nyloc Nut	3
3		.375 FLAT WASHER	3/8 Flat Washer	3
4		.375-16 x 1 Carriage	3/8-16x1 Carriage Bolt	3
5		.312-18x2.0 CARRIAGE BOLT	5/16-18x2.0 Carriage Bolt	7
6		96659A107	5/16 FLAT WASHER	12
7		91831A030	5/16 NYLOC	12
8		.312-18 X 2.75 HEX BOLT	5/16-18x2 3/4 Hex Bolt	1
9		40800-10-007	PLASTIC BUSHING 1:2 SCALE	2
10		90185A583	5/16 x 1 CARRIAGE	4
11		91844A230	5/16 CONTOUR WASHER	1
12		Extra Rubber Pad	1:2 SCALE	1

Hardware (18-4080L)

ITEM NO.	TO SCALE	PART NUMBER	DESCRIPTION	QTY.
1		90126A031	3/8" Flat Washer	12
2		92865A622	3/8"-16 x 3/4" Hex Head	8
3		91102A760	3/8" Split Lock Washer	12
4		92865A583	5/16"-18 x 1" Hex Head	4
5		90126A030	5/16" Flat Washer	8
6		95615A160	5/16"-18 Nyloc	4
7		RUBBER WASHER SCALE 2:1	1/8" T x 5/16" ID x 1-3/4" OD Rubber Washer	6
8		91263A844	M8x1.25 x 20mm Flat Head	4
9		5/16 Fender Washer	OVERSIZE WASHER	4

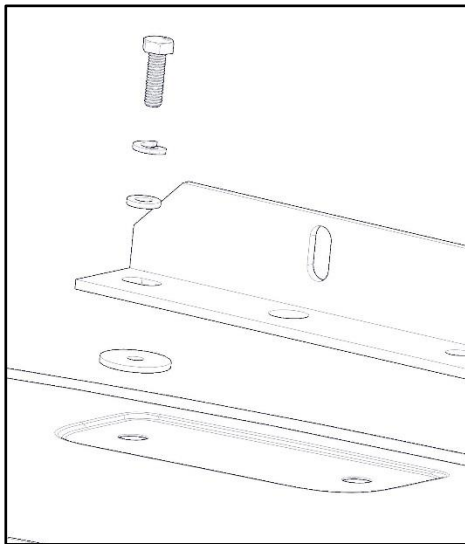
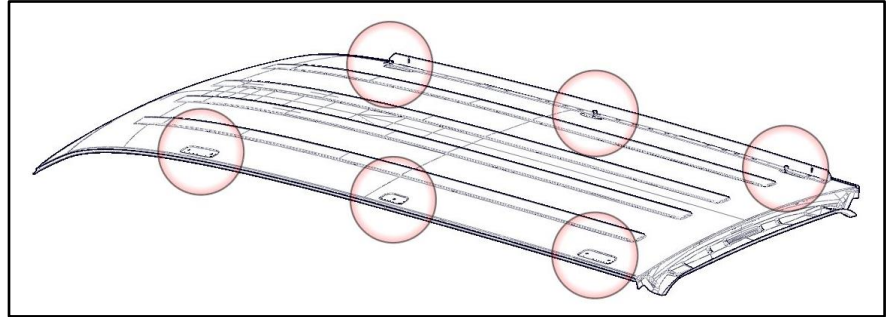
Continued

ITEM NO.	TO SCALE	PART NUMBER	DESCRIPTION	QTY.
10		90576A117	M8x1.25 NYLOC	4
11		91280A534	M8x1.25 x 25mm Hex Head	4
12		91280A330	M6x1 x 20mm Hex Head	6
13		90126A029	1/4" Flat Washer	6
14		91102A750	1/4" Split Lock Washer	6
15		E6000	SEALANT	1

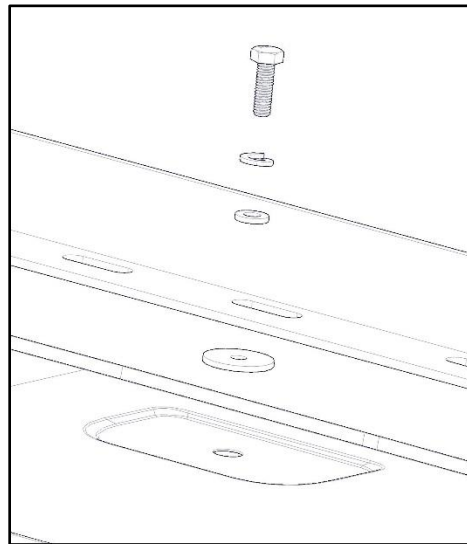
## DO NOT EXCEED MANUFACTURERS WEIGHT CAPACITY FOR ROOF

### Promaster City Installation

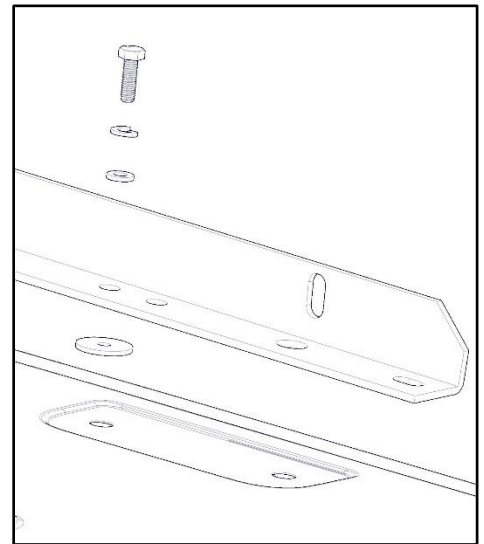
- Locate 6 mounting locations shown on roof of van.
- Install “Top Rail” as shown using M6x20mm bolts with lock washers and flat washers.
- In most installs, the rail upright is to the outside of the van.
- Be sure to put rubber washer between the “Top Rail” and the roof to ensure sealing.
- Place E6000 on and around threads to seal roof. (Passenger side shown)



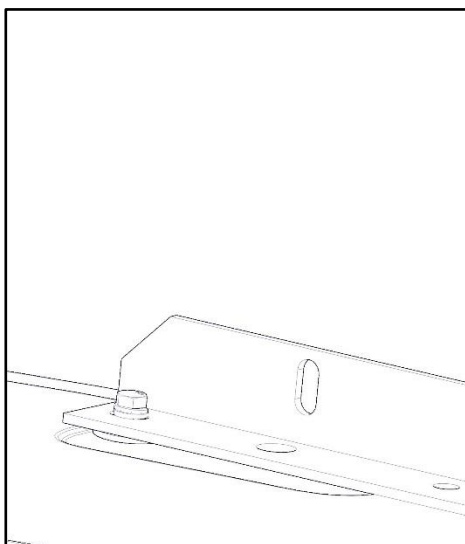
Front EXP



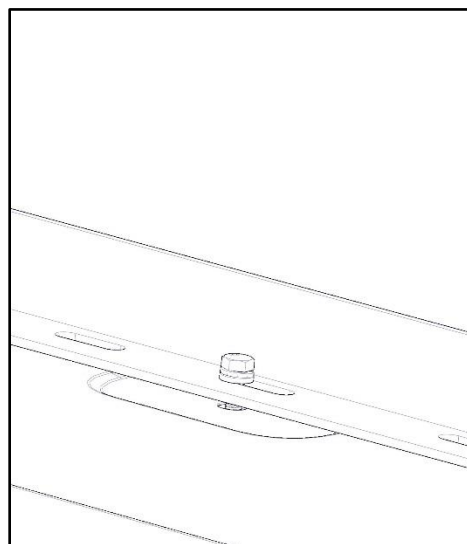
Mid EXP



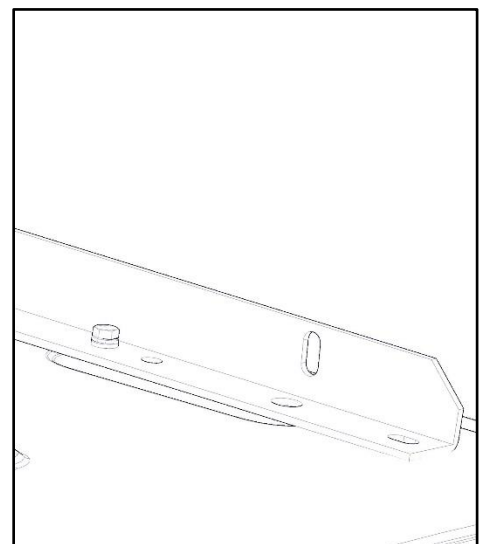
Rear EXP



Front Tighten



Mid Tighten

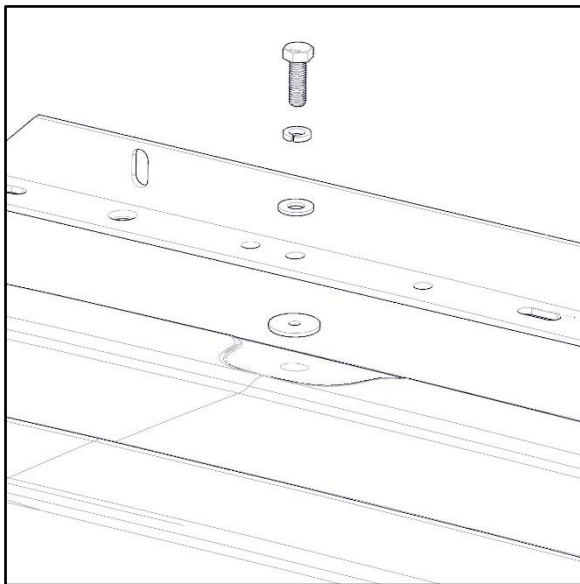
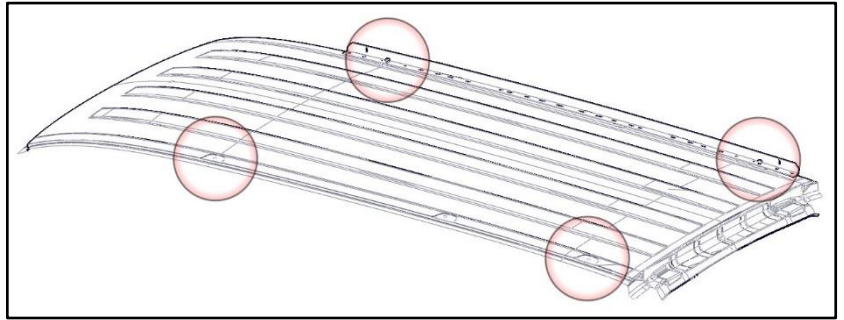


Rear Tighten

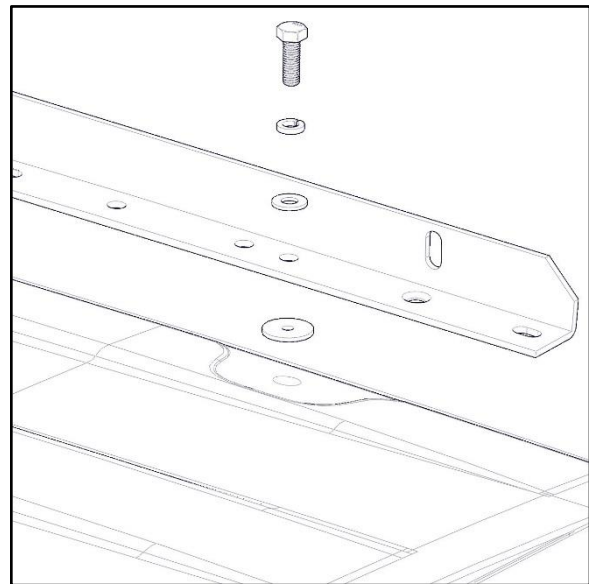
## DO NOT EXCEED MANUFACTURERS WEIGHT CAPACITY FOR ROOF

### NV200/City Express Installation

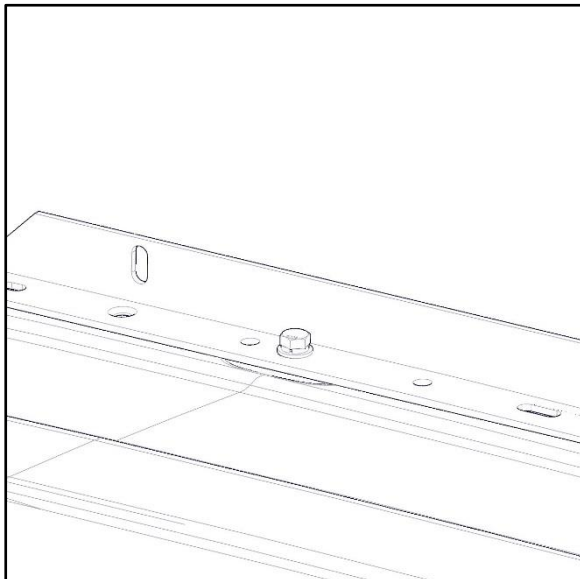
- Locate 4 mounting locations shown on roof of van.
- Install “Top Rail” as shown using M8x25mm bolts with lock washers and flat washers.
- In most installs, the rail upright is to the outside of the van.
- Mount rail so there is about 1” from the rear door opening.
- Be sure to put rubber washer between the “Top Rail” and the roof to ensure sealing.
- Place E6000 on and around threads to seal roof. (Passenger side shown)



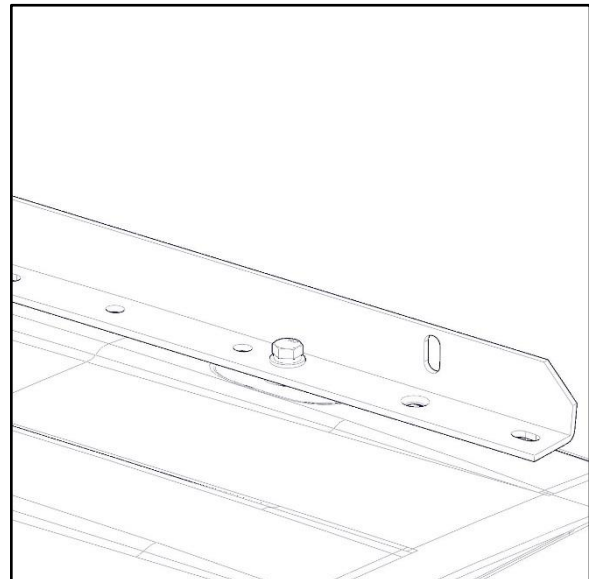
Front EXP



Rear EXP



Front Tighten



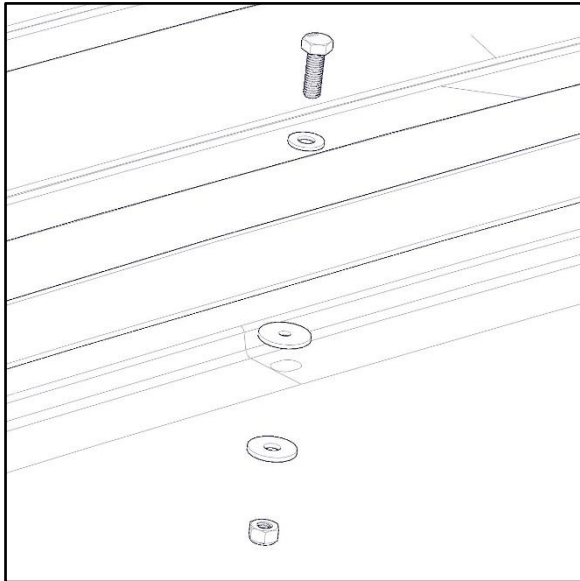
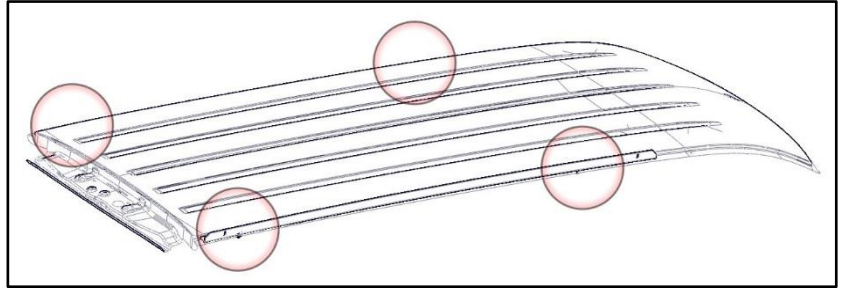
Rear Tighten



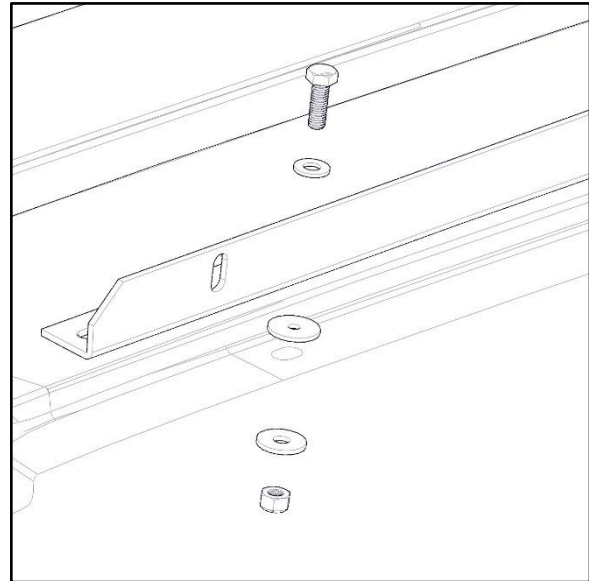
## DO NOT EXCEED MANUFACTURERS WEIGHT CAPACITY FOR ROOF

### Transit Connect Installation

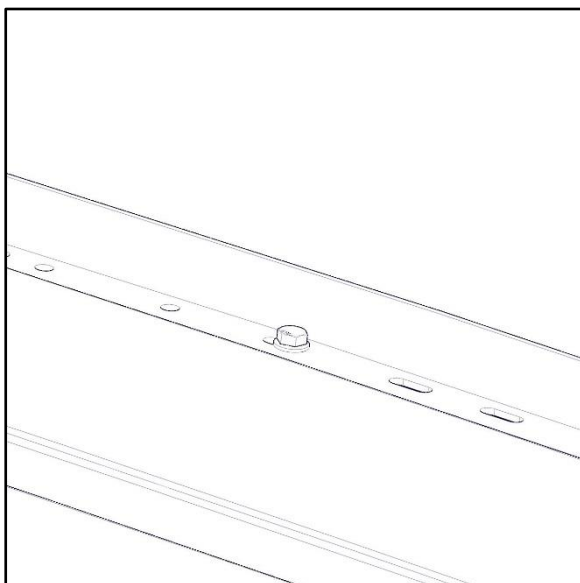
- Locate 4 mounting locations shown on roof of van.
- Be sure to put rubber washer between the “Top Rail” and the roof to ensure sealing.
- In most installs, the rail upright is to the outside of the van.
- Mount rail so there is about 1” from the rear door opening.
- Install “Top Rail” as shown using M8x25mm bolts and flat washers on the outside. Use the fender washer and nylock nut on the inside of the van.
- Place E6000 on and around threads to seal roof. (Passenger side shown)



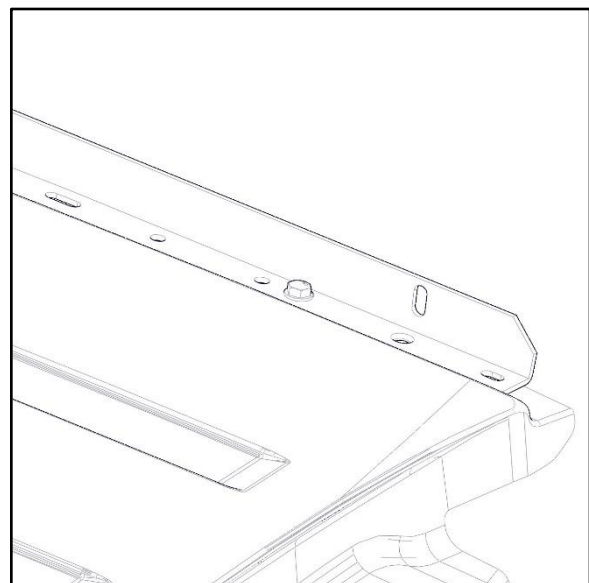
Front EXP



Rear EXP



Front Tighten

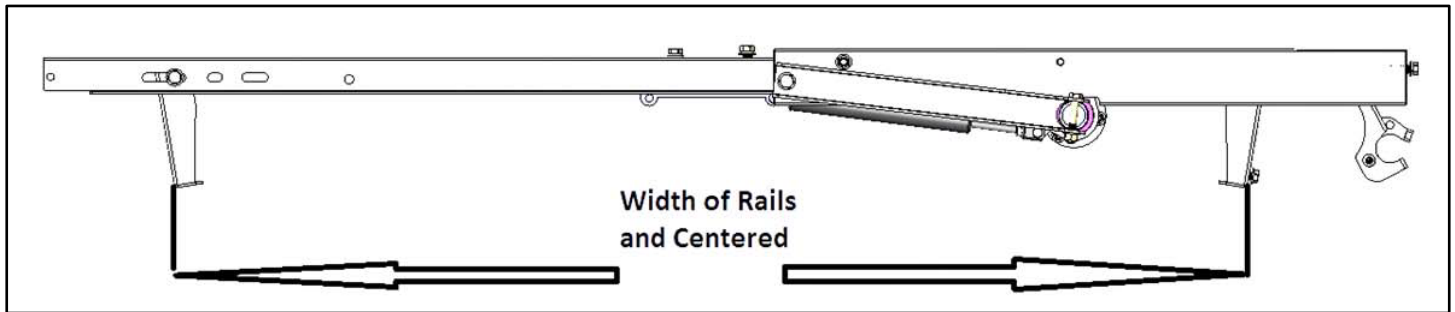


Rear Tighten

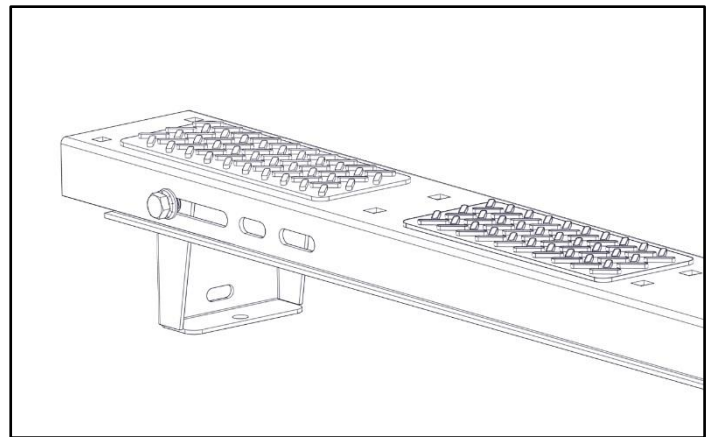
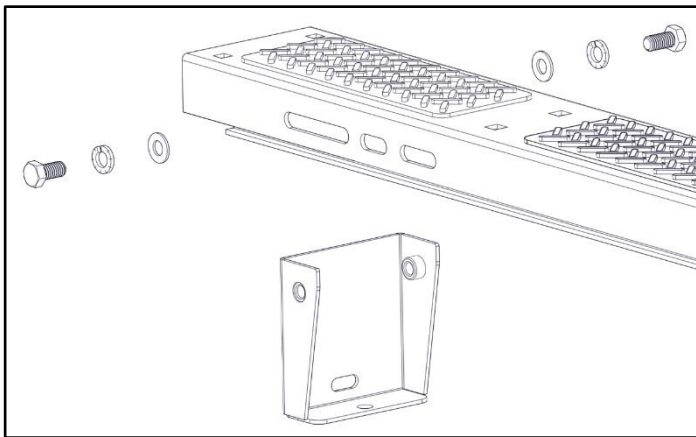
## Assembly Instructions

### Step 1 – Install Foot

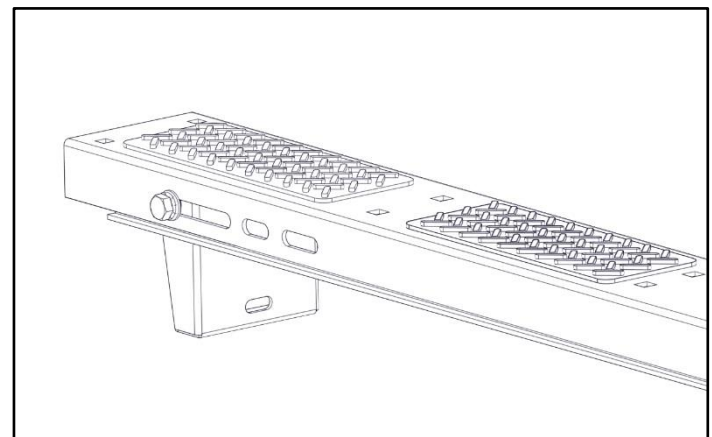
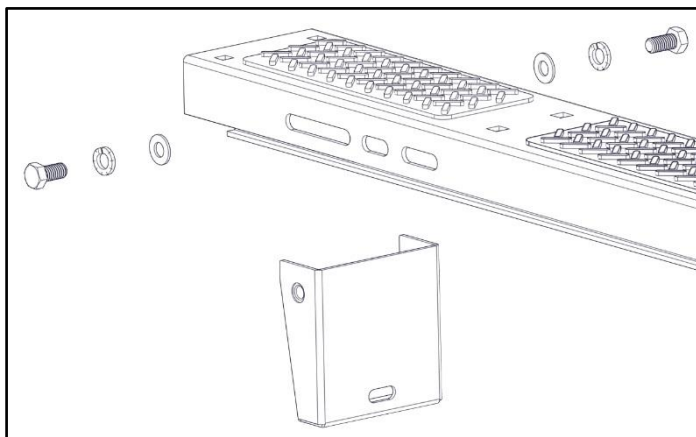
- Measure width between previously installed rails.



- On the cross bows, use the slots that correspond to the measured distance between rails.
- Use a 3/8" x 3/4" hex head bolt, 3/8" lock washers and a 3/8" flat washer to bolt foot to crossmember.
- Bolt feet to bows as shown, DO NOT TIGHTEN at this point.



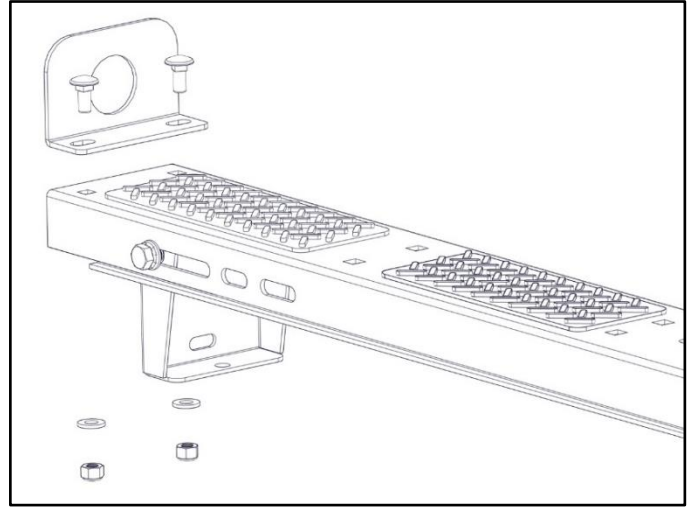
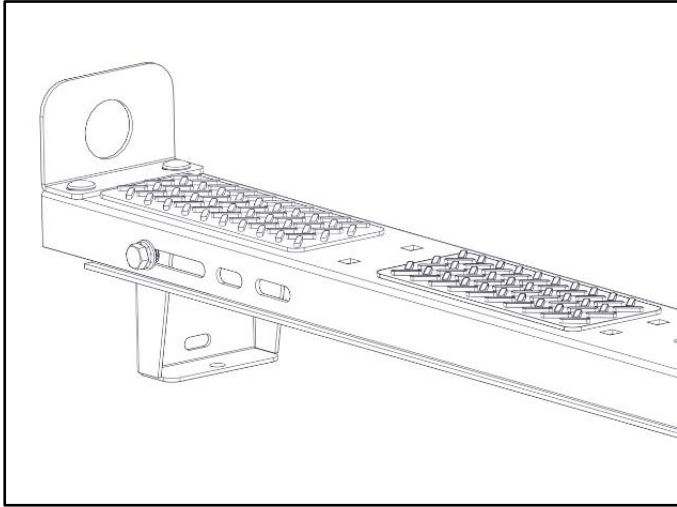
- Feet can be installed as shown above or reverse depending on how you mounted the rail.



- Snug Tighten, but allow movement.

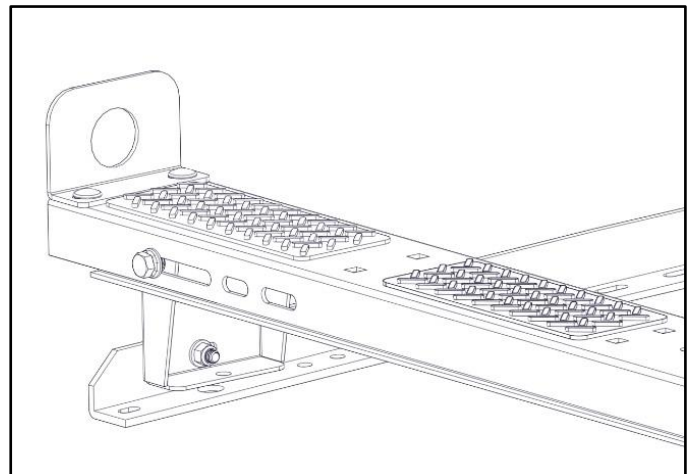
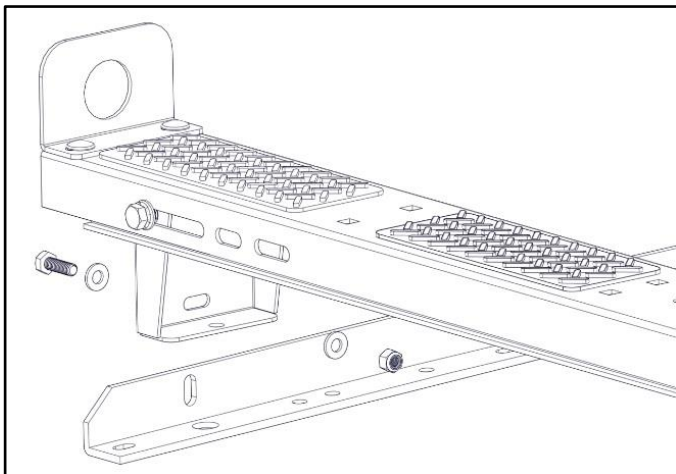
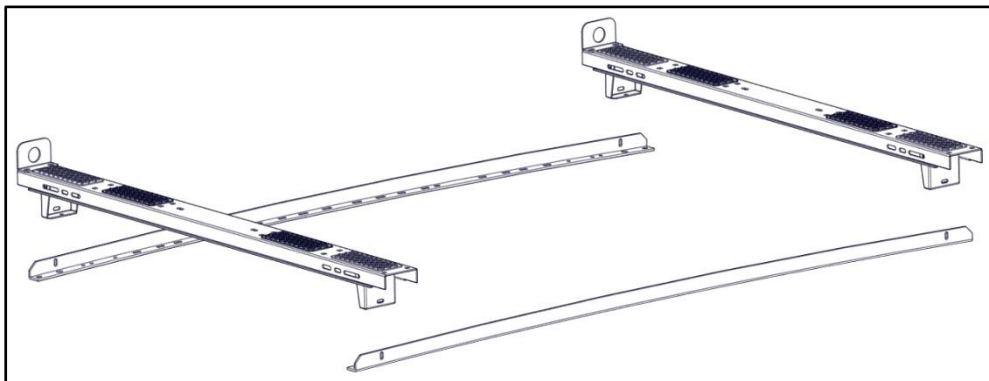
## Step 2 – Ladder Stops

- Bolt ladder stops to one end of each bow.
- Use a 5/16" carriage bolt, 5/16" washers and a 5/16" nyloc.
- TIGHTEN.
- Skip adding the ladder stops if adding 4081L.



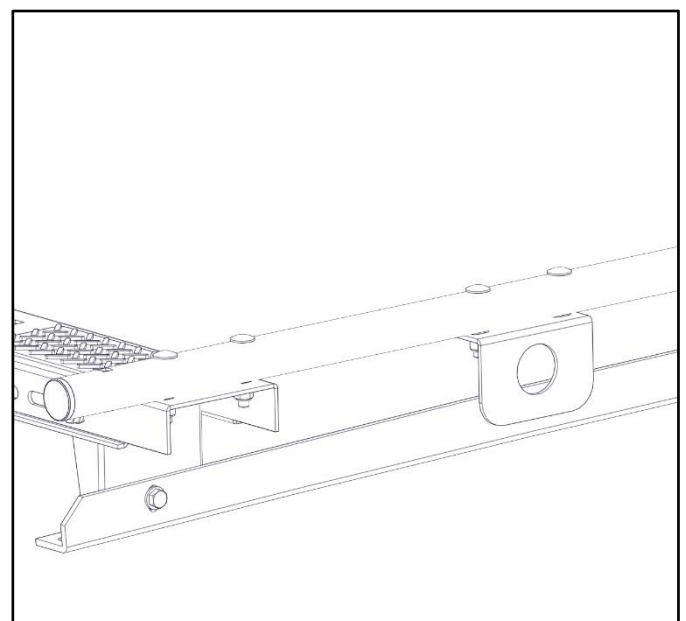
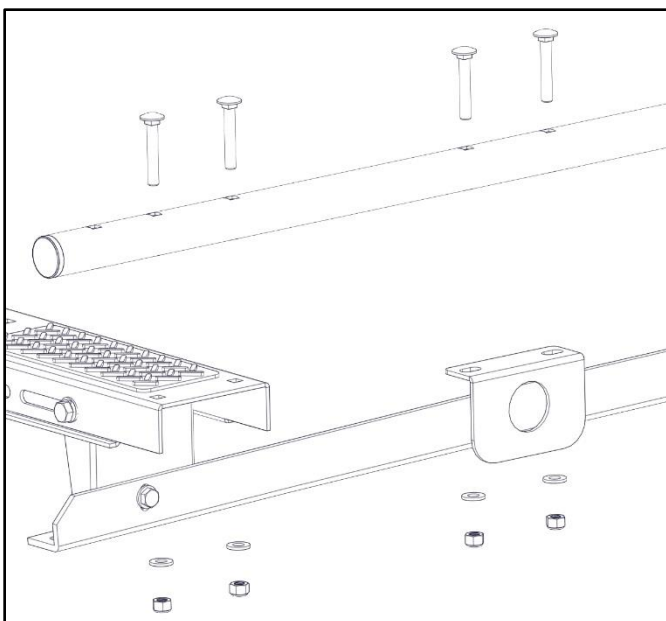
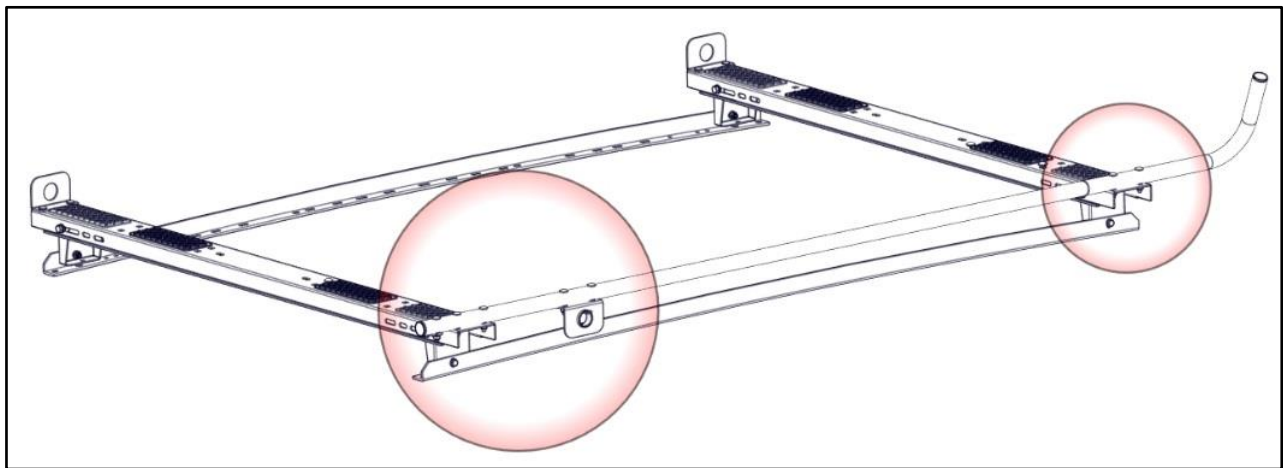
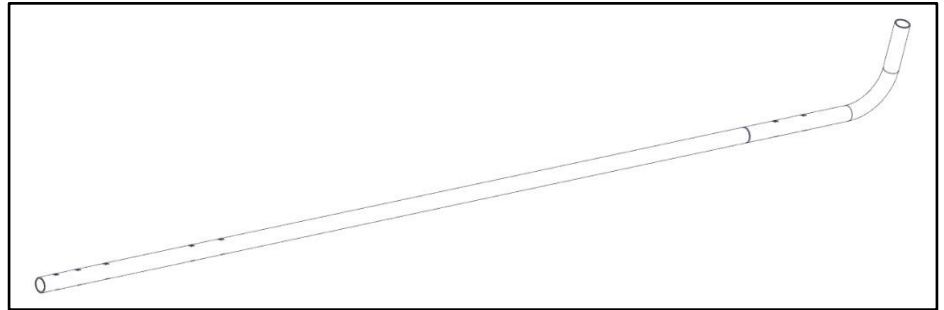
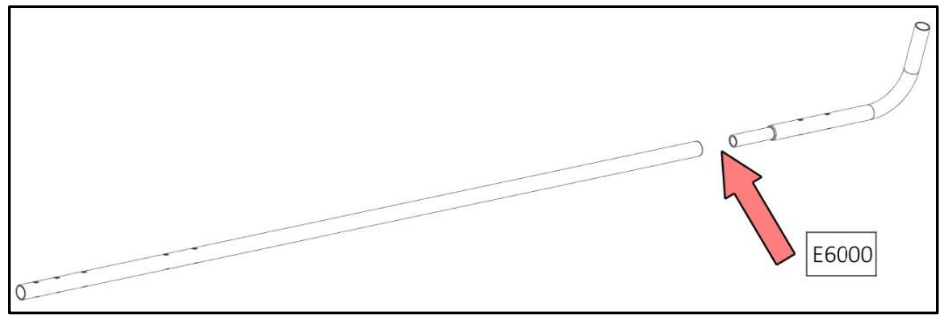
## Step 3 – Mount to Rails

- Place both bows on top of installed rails. Bolt feet to rails using 5/16" x 1" HH, two 5/16" flat washers and a 5/16" nyloc nut
- Typically, the ladder hooks go on the driver side of vehicle.
- Snug Tighten, but allow movement.



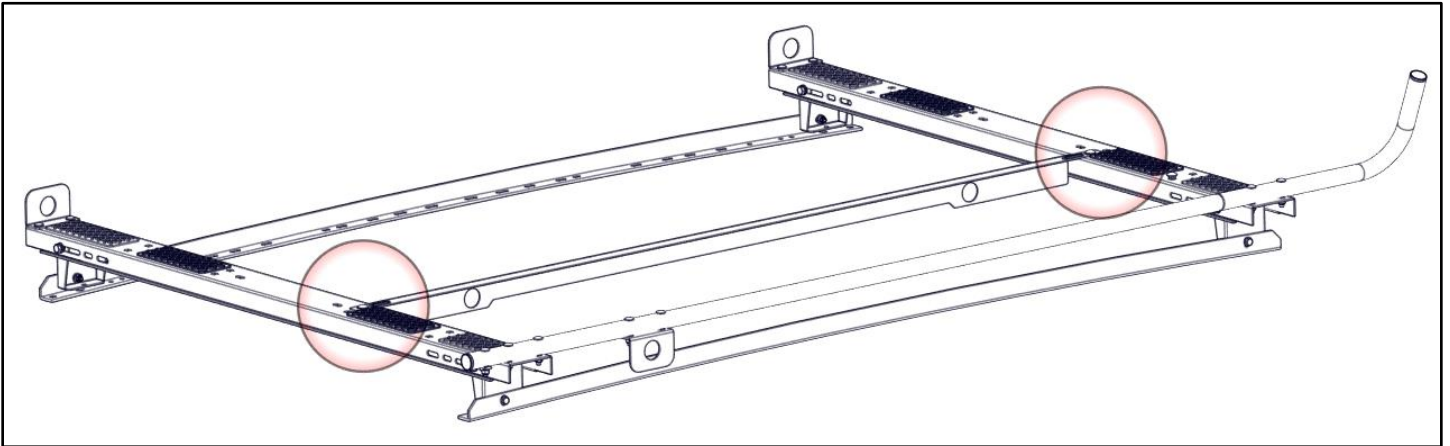
### Step 4 – Mount Side Tube

- Assemble side tube. Place E6000 around the connection of the two tubes.
- Place side tube assembly on top of installed bows.
- Have the bend towards the front of the vehicle as shown.
- Mount rotation bar plate to the rear of the tube as shown.
- Leave one square slot open at the rear of the side tube.
- Bolt together using 5/16" x 1-3/4" carriage bolt, a 5/16" flat washer and a 5/16" nyloc.
- Snug Tighten, but allow movement.

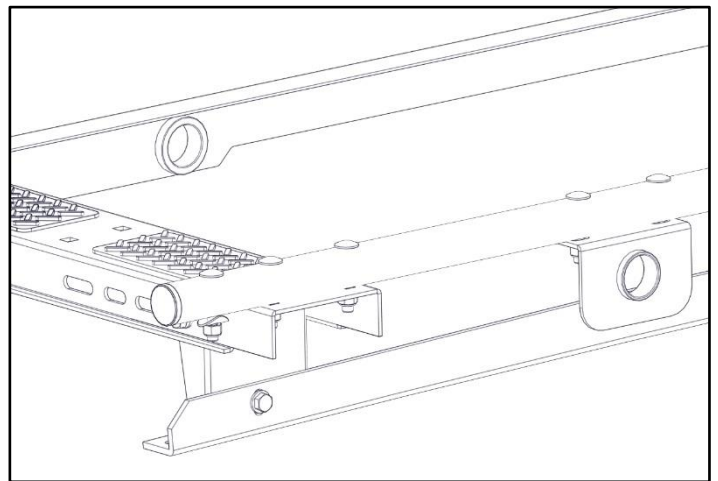
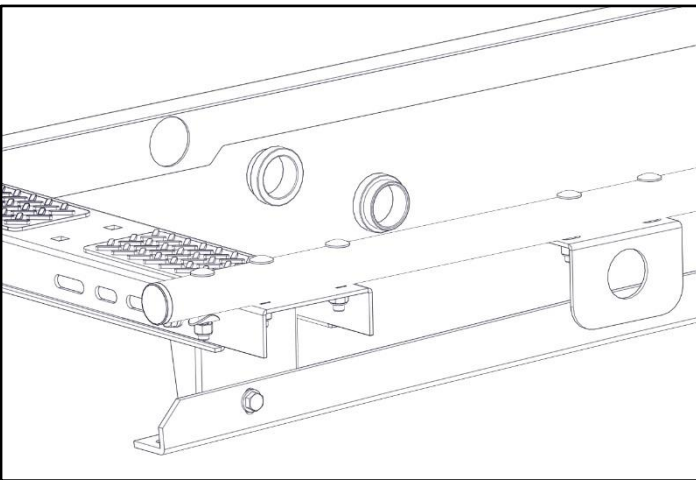


### Step 5 – Mount Clamp Tube

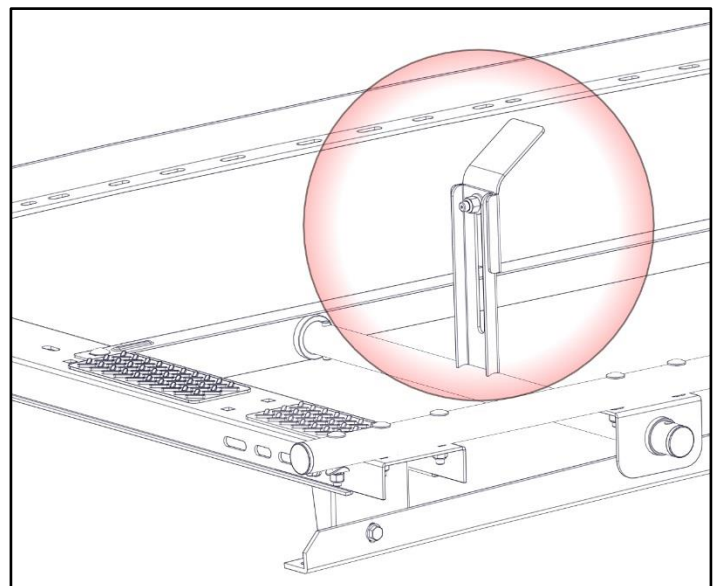
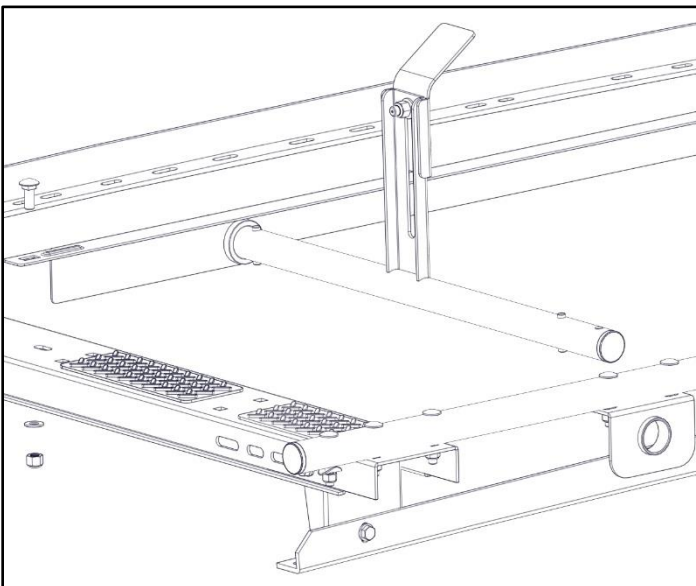
- Place clamp and lock L bracket on top of installed bows, do NOT install any hardware.



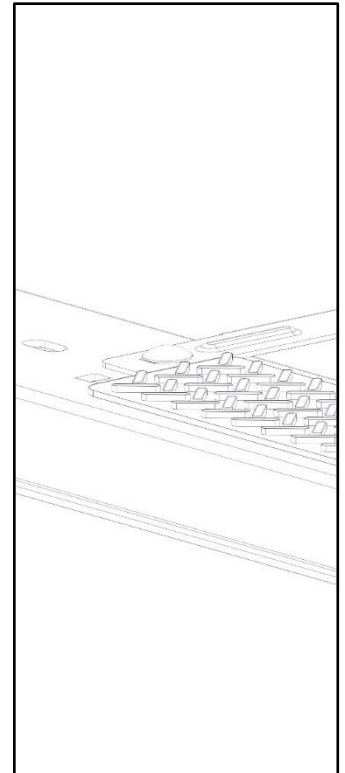
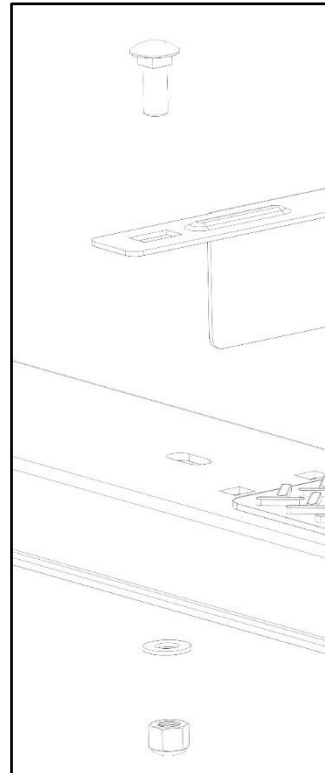
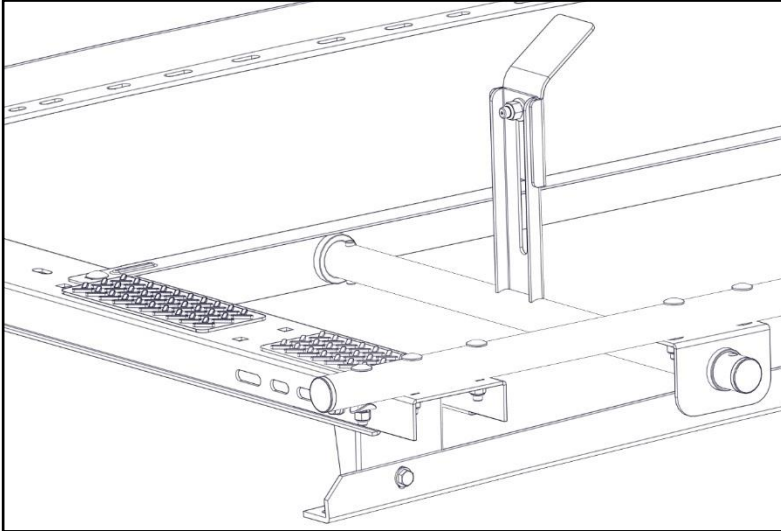
- Insert plastic bushings into the clamp and lock L bracket and the rotation bar plate installed in Step 4, with flanges away from each other and to the inside of the brackets as shown.



- Insert clamp tube into both plastic bushings.
- After installation, adjust clamp on clamp tube to fit firmly against your ladder.

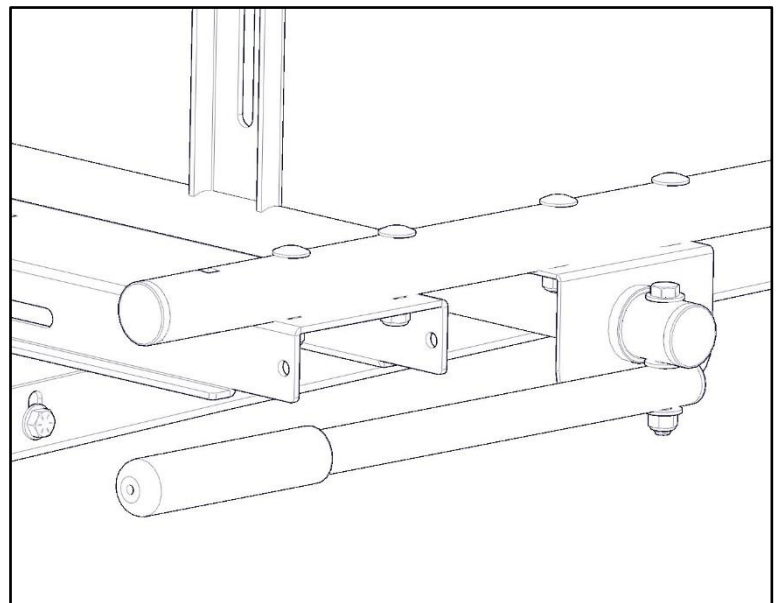
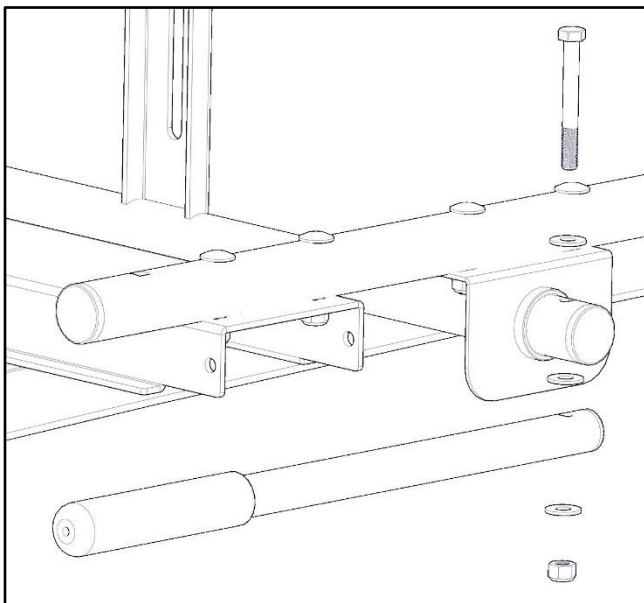


- Bolt clamp and lock L bracket to bows using 3/8" x 1" carriage bolt, 3/8" flat washer and a 3/8" nyloc as shown.
- TIGHTEN



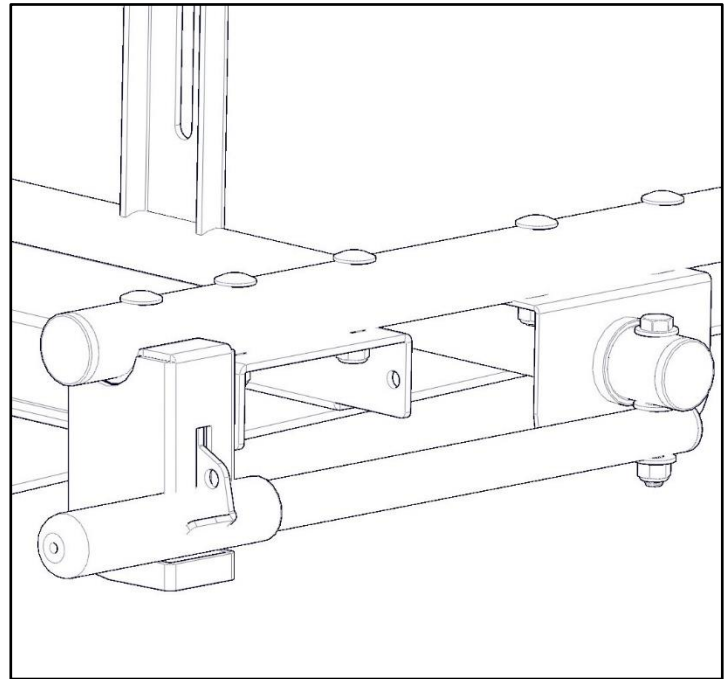
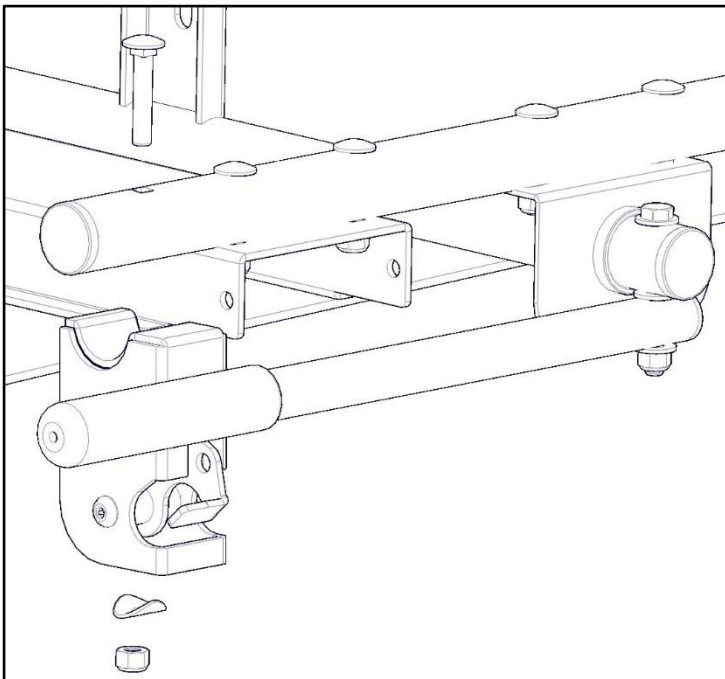
### Step 6 – Mount Handle

- Bolt handle to clamp tube using a 5/16" x 2-3/4" hex head, two 5/16" flat washers, 5/16" nylon washer and 5/16" a nyloc. The nylon washer goes in between the clamp tube and handle.
- TIGHTEN



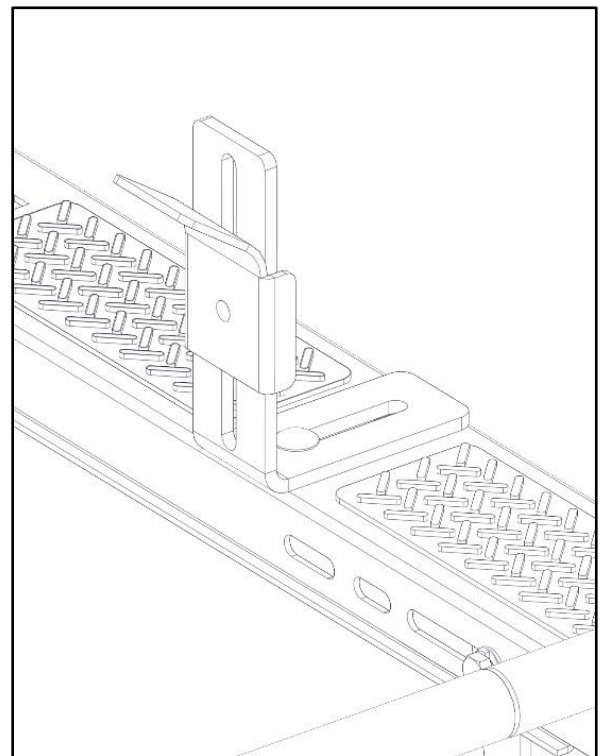
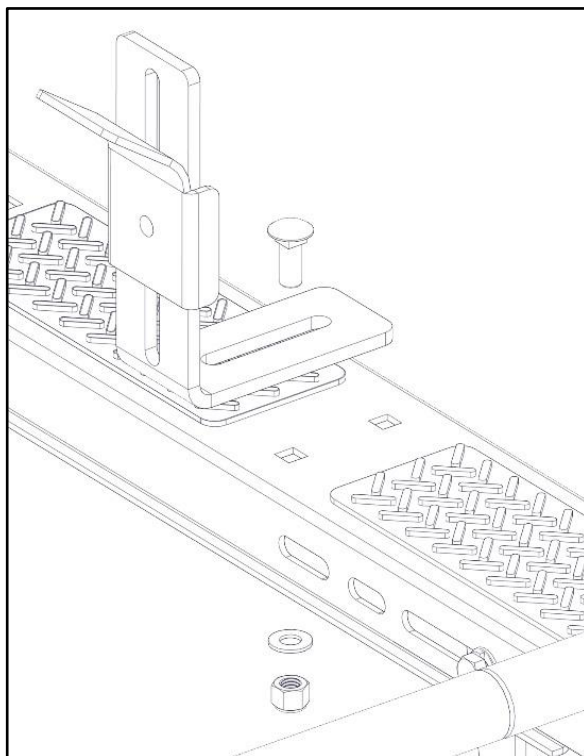
### Step 7 – Mount Latch Assembly

- Bolt latch to the rear of the mount tube that was installed in Step 5 using 5/16" x 1-3/4" carriage bolt, 5/16" curved washer and a 5/16" nyloc.
- TIGHTEN



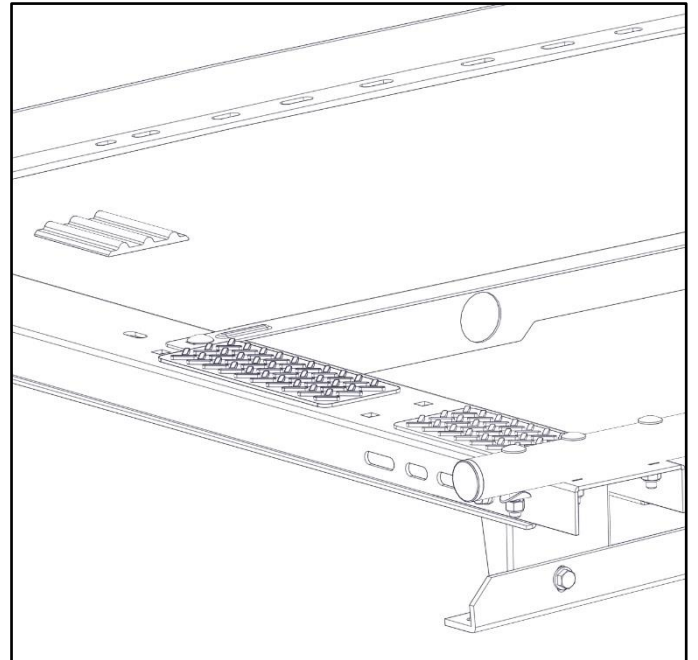
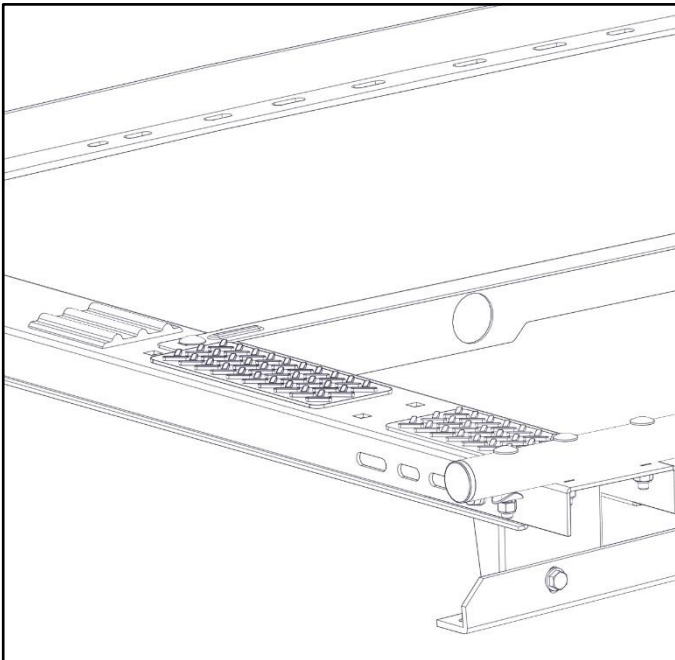
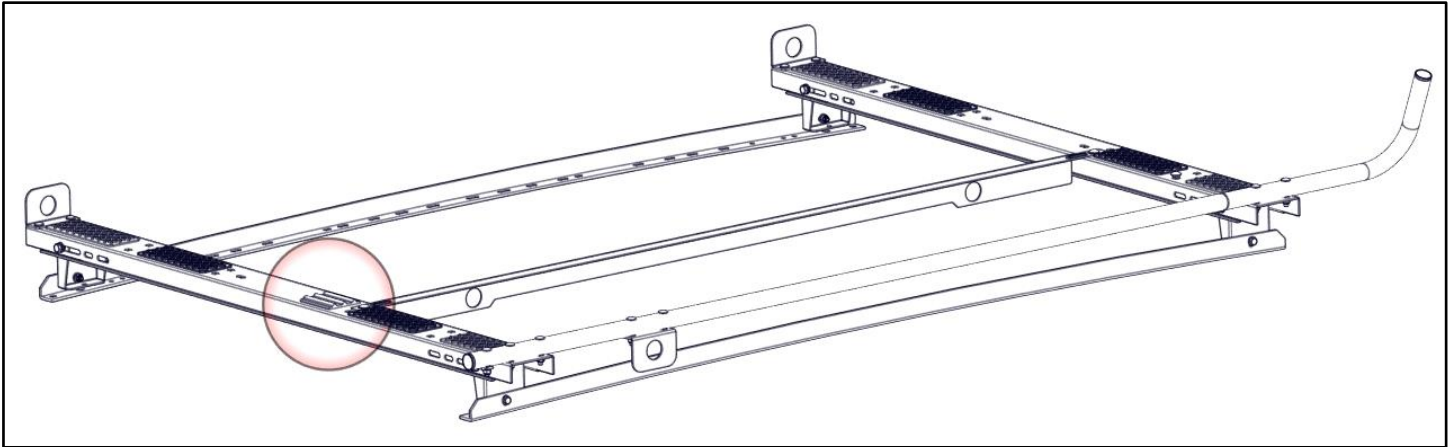
### Step 8 – Mount Ladder Hook Bracket to Bow

- Bolt ladder hook bracket to the bow in the orientation shown using a 3/8" x 1" carriage bolt, a 3/8" flat washer and a 3/8" nyloc. Be sure the bracket is square to the bow.
- Adjust clamp on bracket to fit firmly against your ladder.
- TIGHTEN



## Step 9 – Place Rubber Bumper

- Adjust clamp on bracket to fit firmly against your ladder.
- If ladder rests on cross bow, place extra rubber bumper to avoid scratching.



GO BACK AND ENSURE ALL HARDWARE IS TIGHT  
Your installation is now complete.