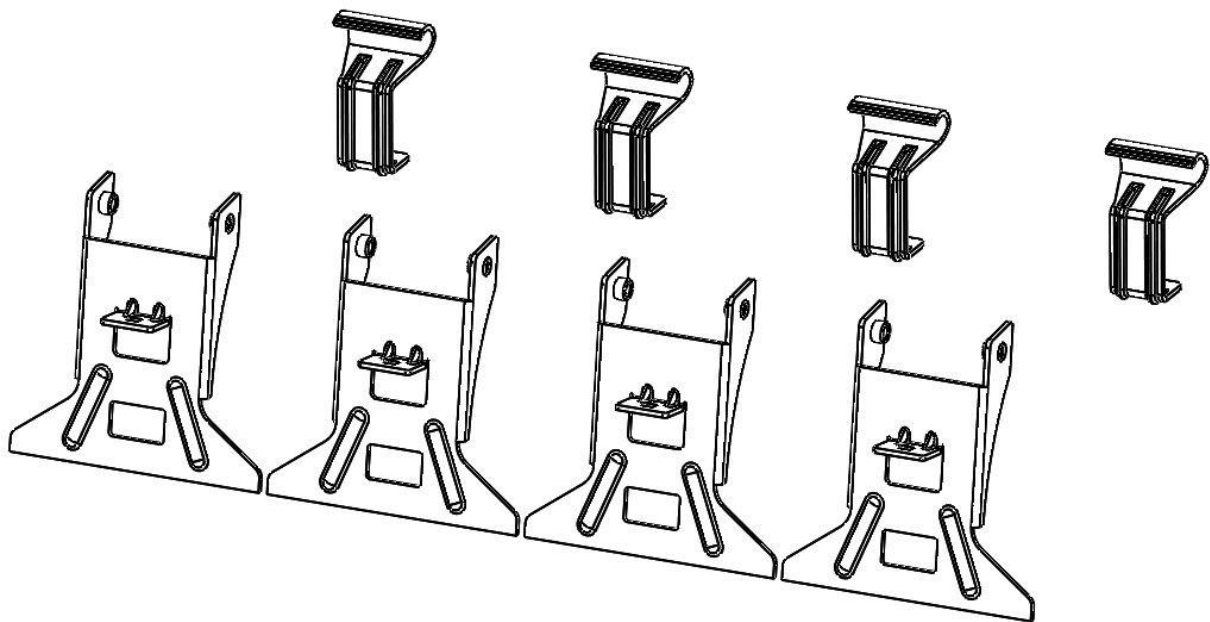

KARGO MASTER®

WE PUT EVERYTHING WITHIN REACH.

Installation Guide

409CD



***PLEASE READ ALL INSTRUCTIONS AND WARNINGS PRIOR TO ASSEMBLING,
INSTALLING, AND USING THIS PRODUCT***

Warning



Always check for wires, fuel tanks and lines, brake lines and other important vehicle functionality items prior to drilling and installing all products.

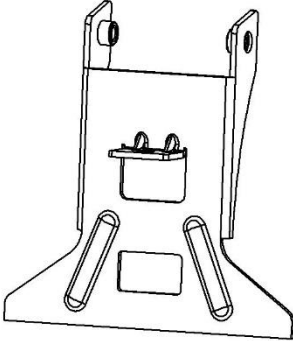
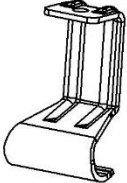
Tools Needed

9/16" Socket and Wrench	1/2" Socket and Wrench
-------------------------	------------------------

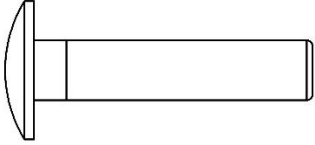
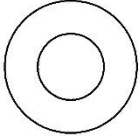
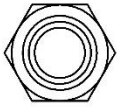
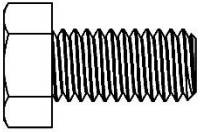
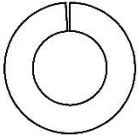
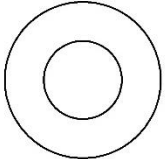
Before You Begin

- Read all instructions.
 - Have desired ladder rack ready to be installed.
-

Parts

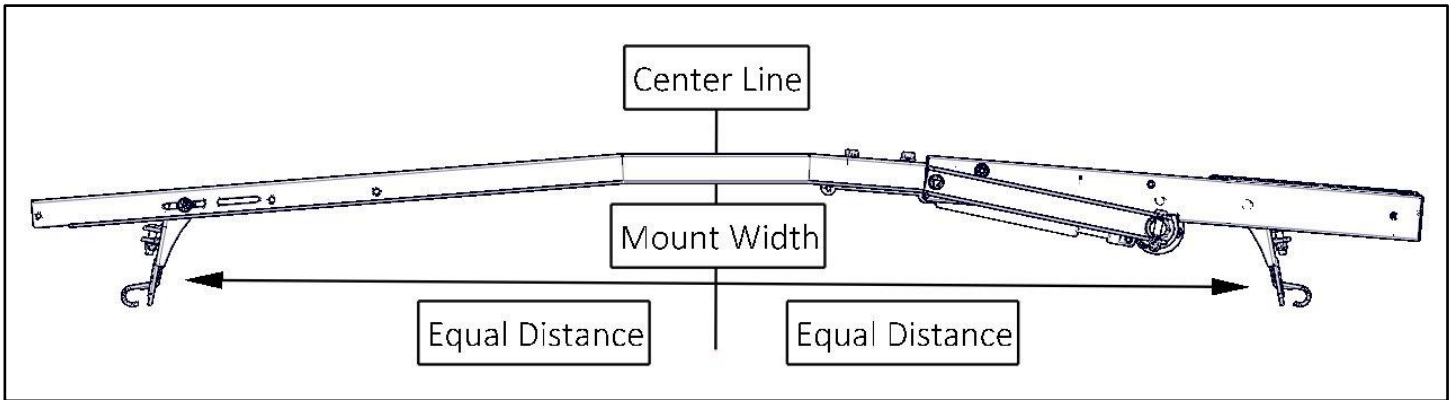
ITEM NO.		PART NUMBER	DESCRIPTION	QTY.
A		409CD-00-001	GM FOOT	4
B		40800-00-002	CLAMP BRK	4
		18-4081C	Hardware Kit	1

Hardware

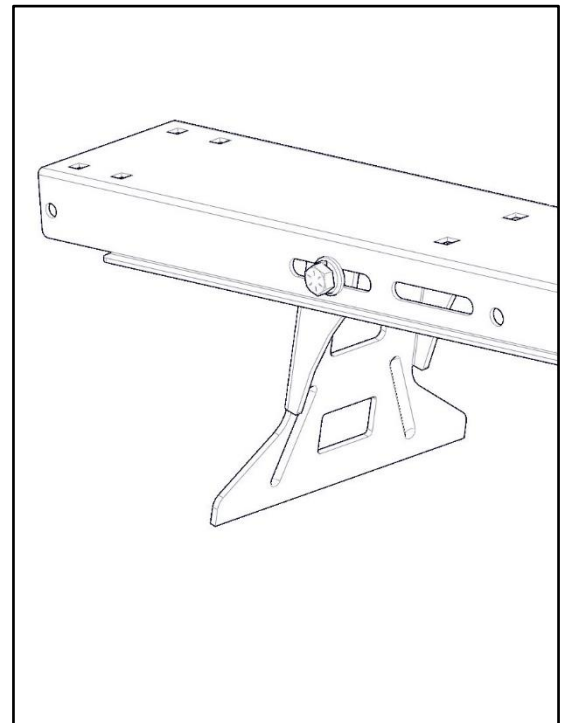
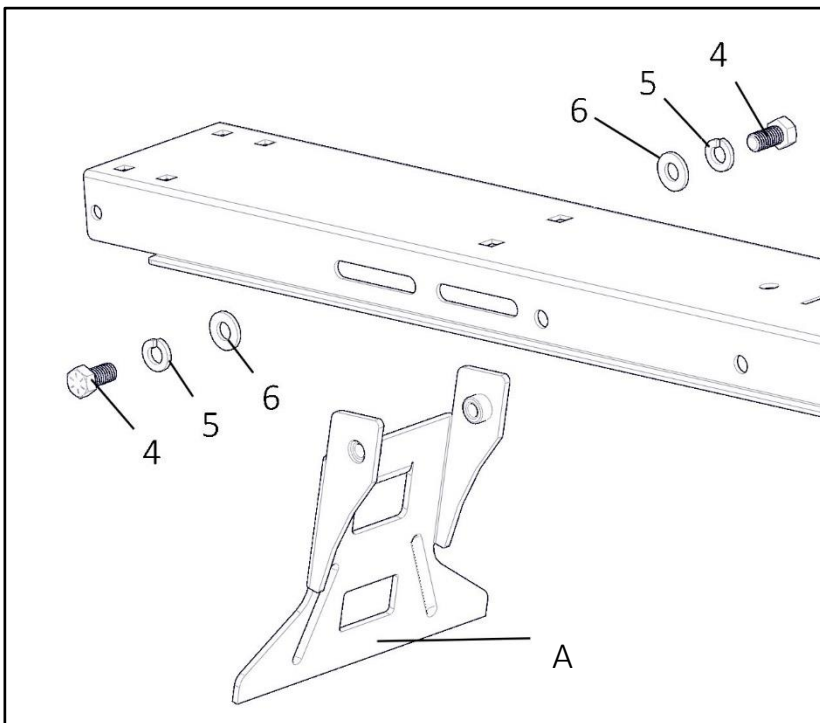
ITEM NO.	TO SCALE	PART NUMBER	DESCRIPTION	QTY.
1		90185A587	.312-18x1.5 Carriage Bolt	4
2		90126A030	5/16 Flat Washer	4
3		95615A160	5/16-18 Nyloc	4
4		92620A622	.375-16 x .75 HH	8
5		91104A031	3/8" Lock Washer	8
6		98023A031	3/8" Flat Washer	8

Step 1 – Foot Attachment

- Measure width of rain gutter on van, front and rear, typically they differ.
- Approximately at that width measured from the rain gutter, find the corresponding slots on the ladder rack cross bow and attach mounting foot as shown. Be sure there is an equal distance from the center of the cross bow to each foot.

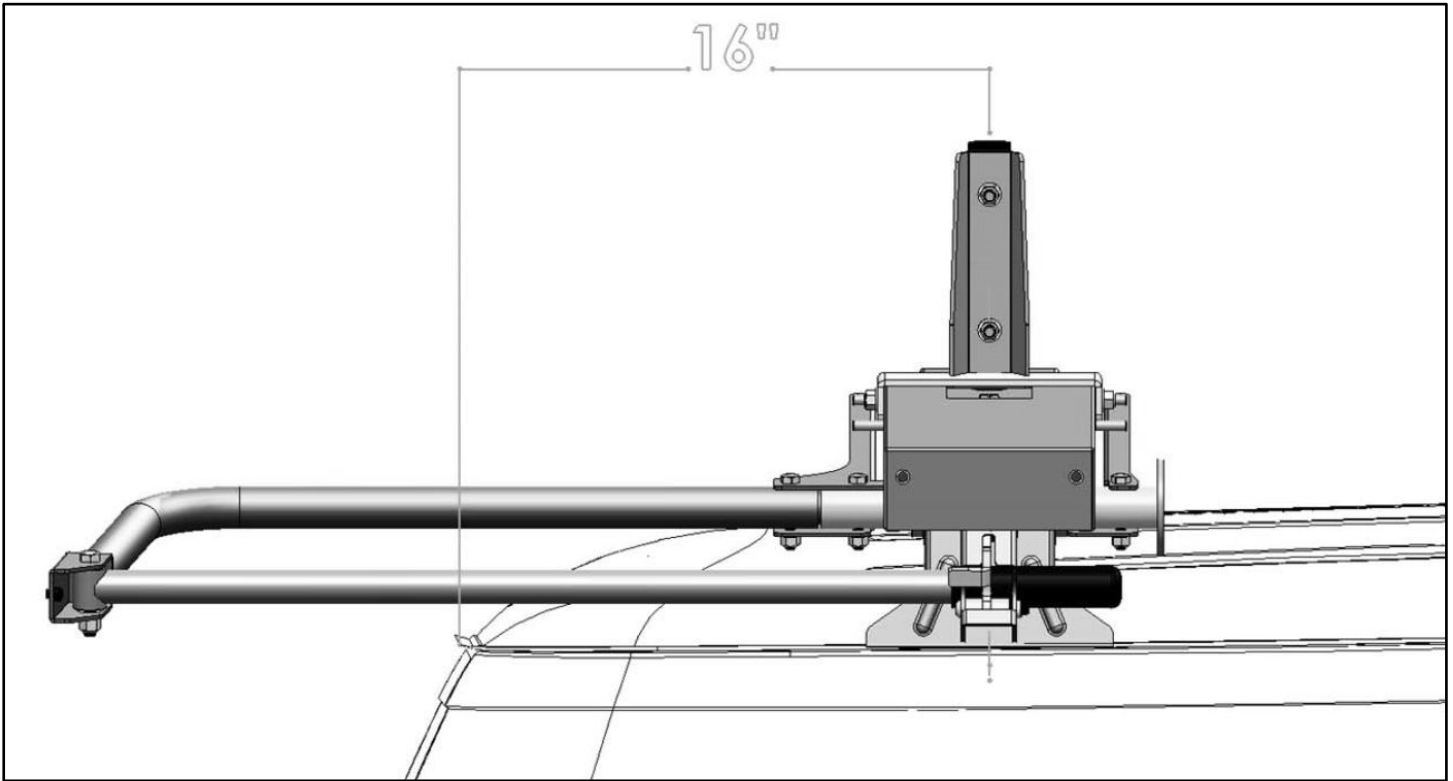


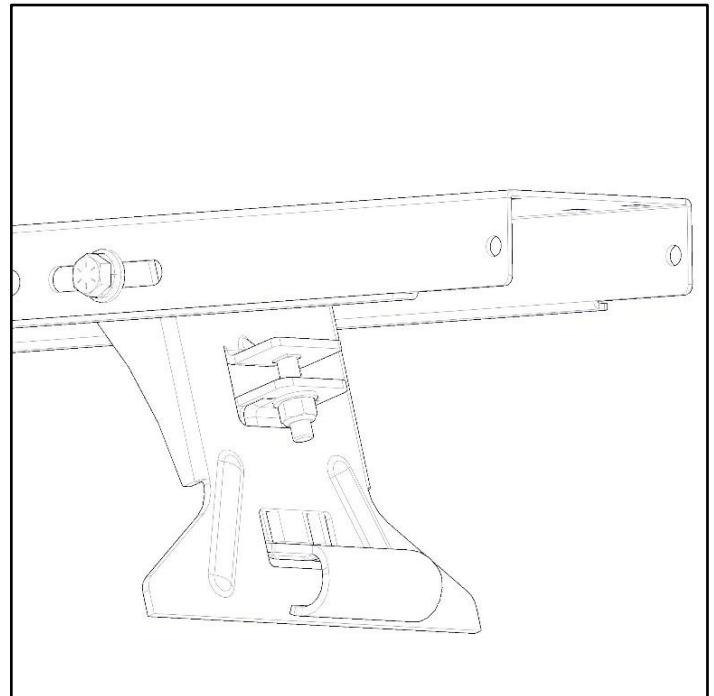
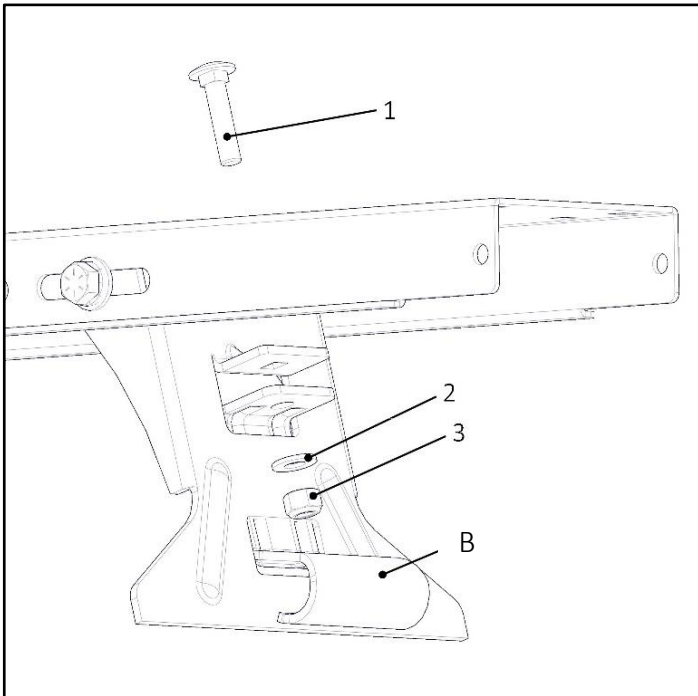
- Attach GM Foot (A) to both sides of each bow using 3/8" x 3/4" hex bolts (4) with lock washers (5) and flat washers (6) as shown.
- Leave loose until you set the assembly onto the vehicle. Most vans have a wider rain gutter at the front of the vehicle.



Step 2 – Attach to Rain Gutter

- Place rear bow assembly at rear of van, approximately 16" from rear of van.
- Be sure to have enough space for the handle to clear the rear of van when operating rack.





- Using a 5/16" x 1-1/2" carriage bolt (1), a 5/16" flat washer (2) and a 5/16" nyloc nut (3), insert gutter mount (B) through mount foot (A).
- Be sure the rear bow assembly is secure, but can still be moved front to rear.
- Place front bow onto roof of van.
- Assemble rack as shown in the ladder rack instructions.
- Once the ladder rack is square and aligned to the users desire, TIGHTEN.
- Repeat on all four corners of van.

Shown without van for clarity

GO BACK AND ENSURE ALL HARDWARE IS TIGHT

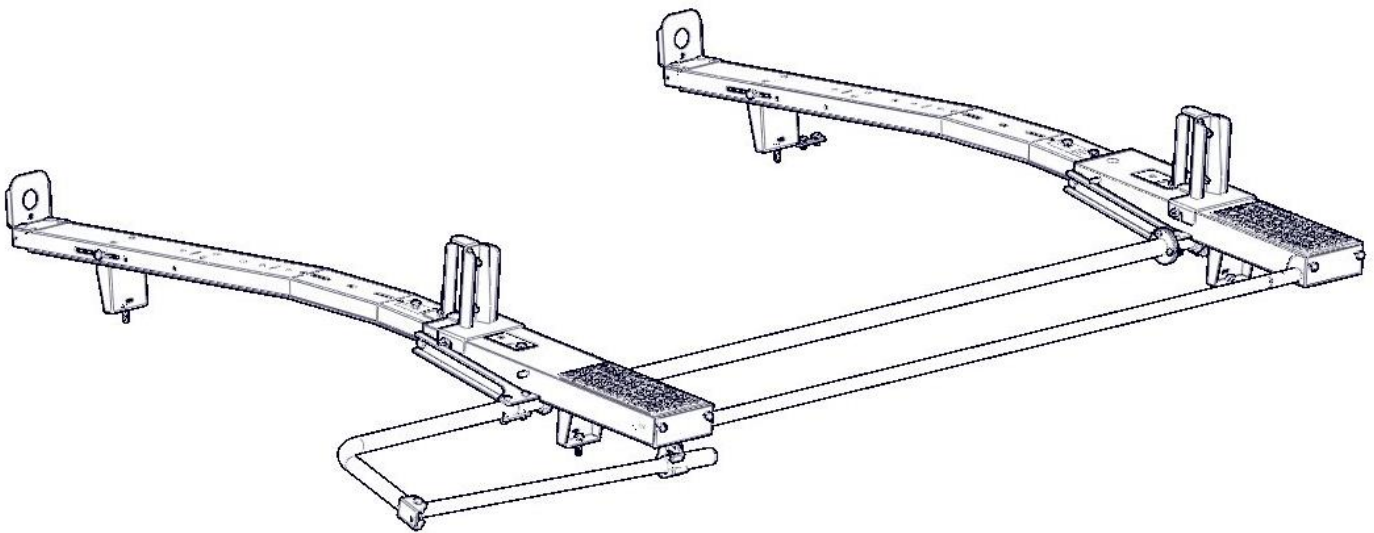
Your installation is now complete.

KARGO MASTER®

WE PUT EVERYTHING WITHIN REACH.

Installation Guide

4092L



***PLEASE READ ALL INSTRUCTIONS AND WARNINGS PRIOR TO ASSEMBLING,
INSTALLING, AND USING THIS PRODUCT***

Warning



Always check for wires, fuel tanks and lines, brake lines and other important vehicle functionality items prior to drilling and installing all products.

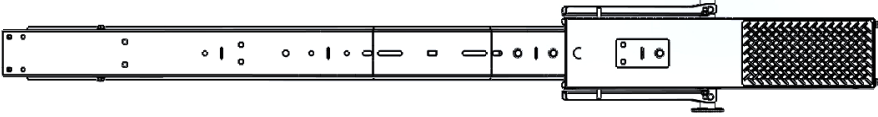
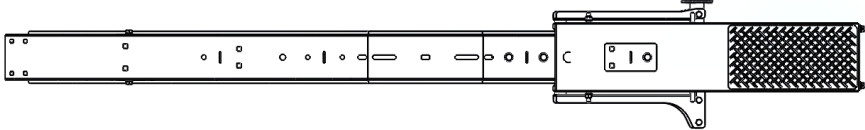


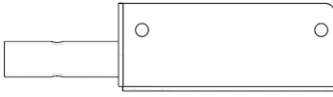

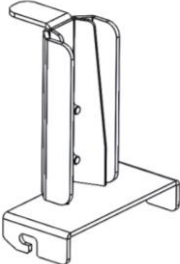

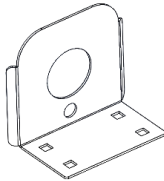
Tools Needed

1/2" Wrench and Socket	7/16" Wrench and Socket
9/16" Wrench and Socket	Tape Measure

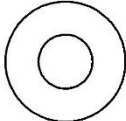

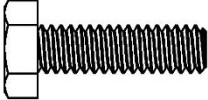
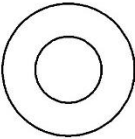
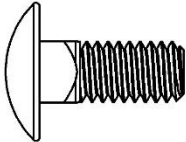
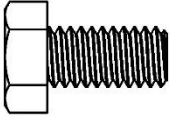
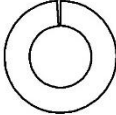
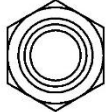
Before You Begin

- Read all instructions.
-

Parts

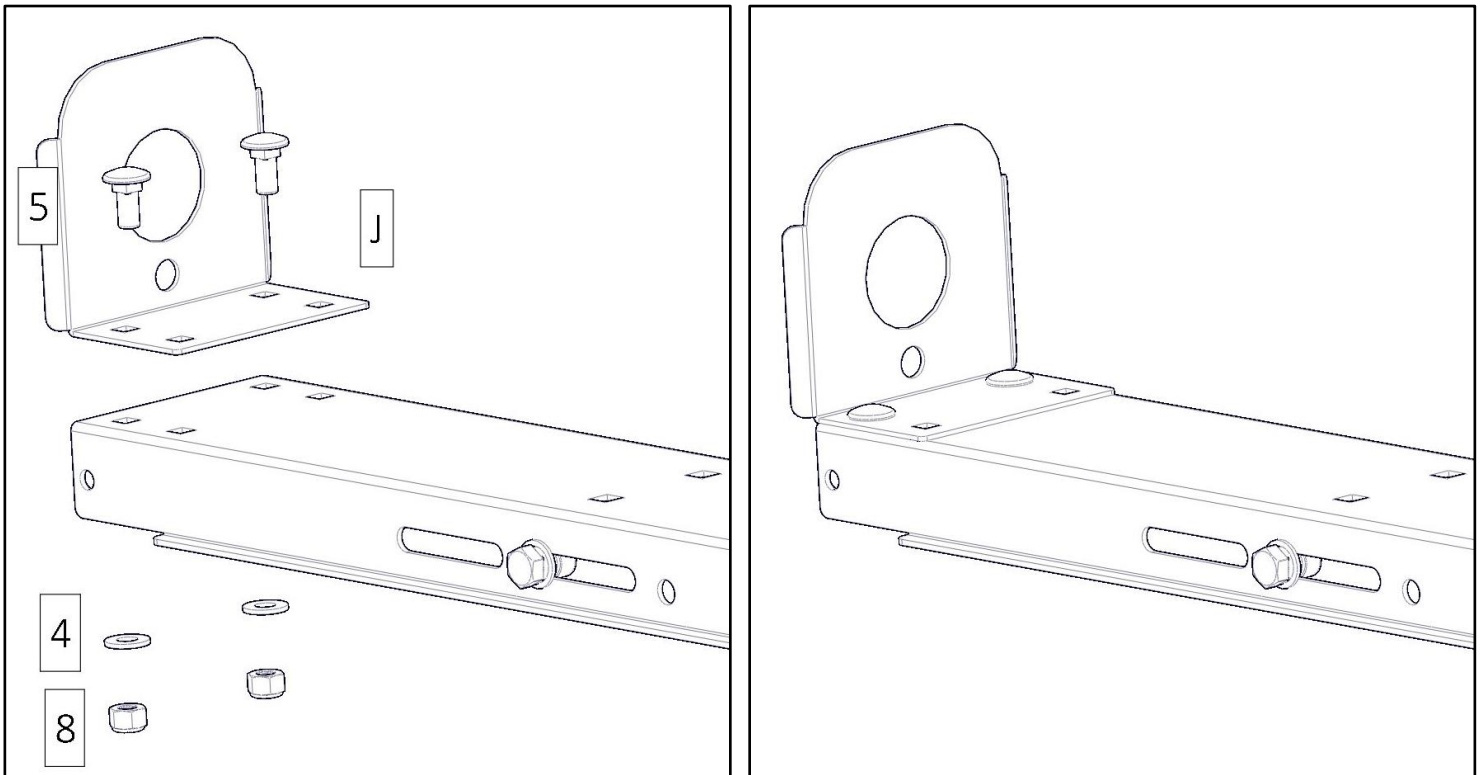
ITEM NO.	4092L PARTS	DESCRIPTION	QTY
A		Front Bow Assembly	1
B		Rear Bow Assembly	1
C		Torque Tube	1
D		Support Tube	1
E		Support Tube End	1
F		Handle	1
G		Ladder Hook	2
H		Ladder Stop	2
J		Load Plate	2
		HARDWARE	1

Hardware

ITEM NO.	TO SCALE	DESCRIPTION	QTY.
1		.25 flat washer	12
2		.25-20 NYLOC NUT	6
3		.25-20 x .875 HH	6
4		.312 Flat Washer	10
5		.312-18 x .75 Carriage Bolt	6
6		.312-18 x .625 HH	4
7		.312 Split Lock Washer	4
8		.312-18 Nyloc Nut	6
9		E6000	1

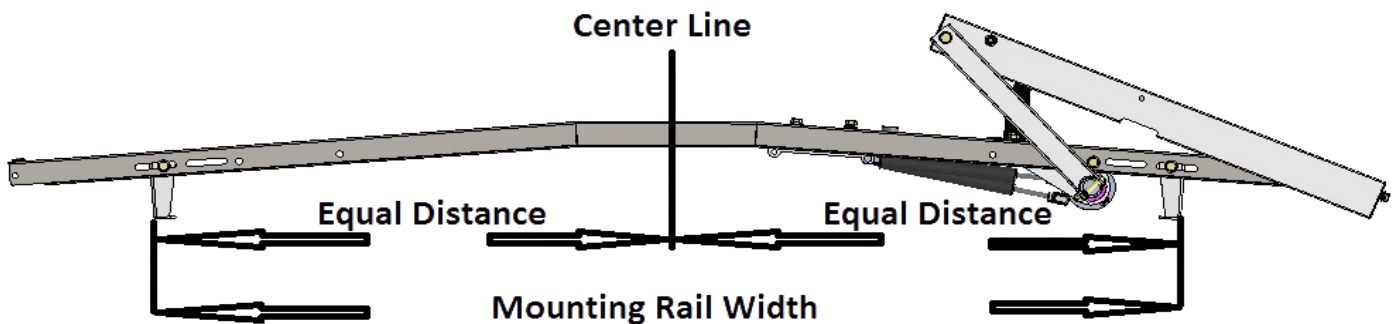
Step 1 – Install Load Plate

- Next bolt the Load Plate (J) on the driver side of both bows (A&B) using .312" x .75" carriage bolts (5) with .312" nyloc nuts (8) and .312" flat washers (4) as shown.
 - The "Load Plate will NOT be used if installing a double drop down rack.

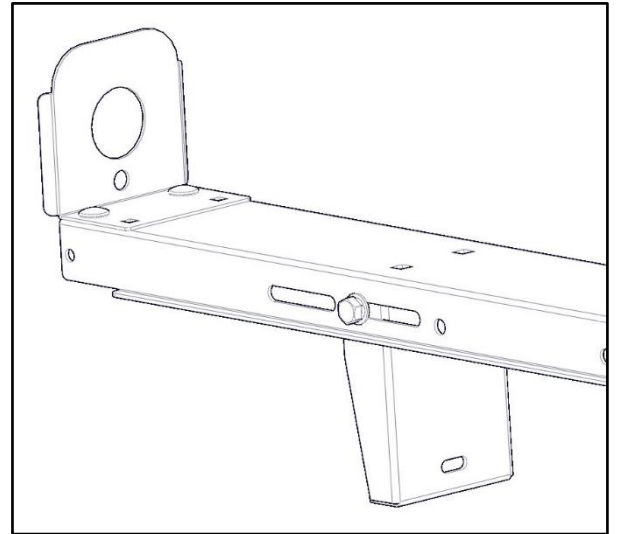
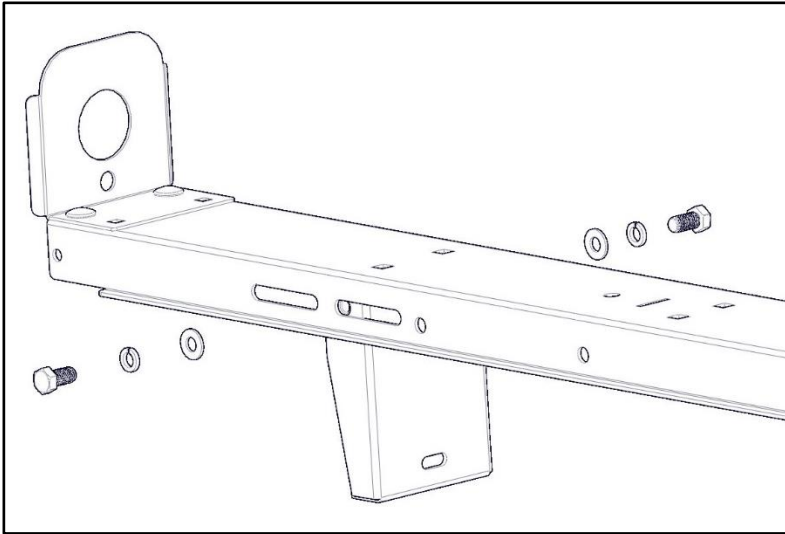


Step 2 – Install Front and Rear Bow

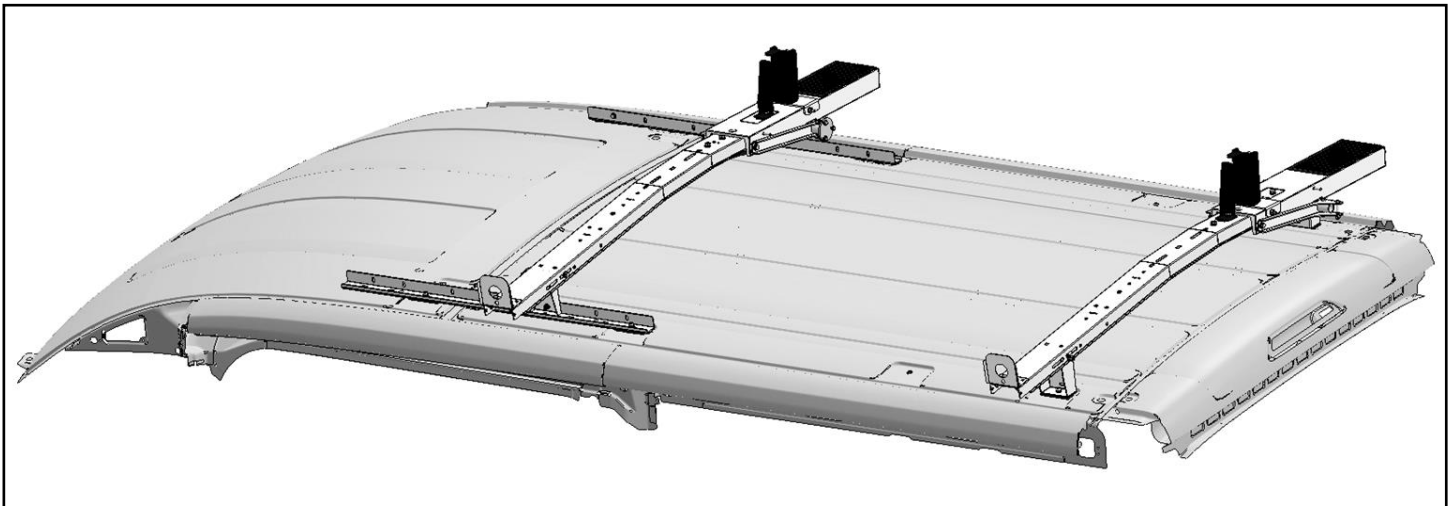
- Place rear bow assembly (B) onto previously installed mount feet at the rear of the Van.
 - **Make sure the bow is centered along the van**



- Bolt to feet using .375" x .75" hex head bolts, .375 split lock washers and .375 flat washers.

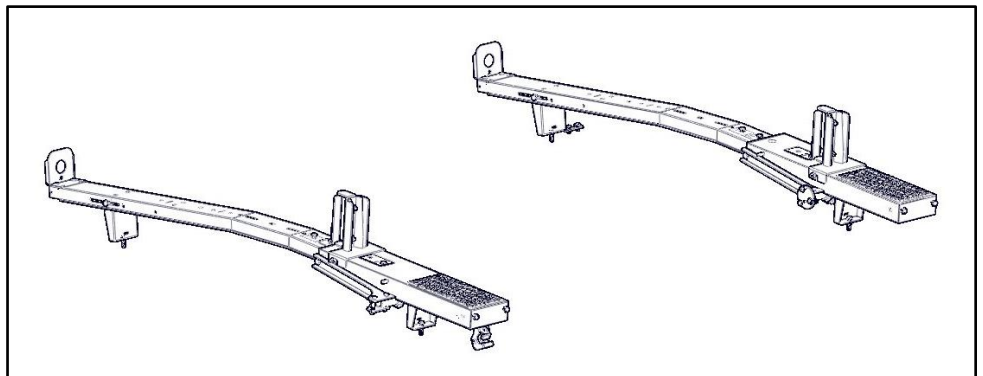


Repeat on other side.
Repeat using front bow.



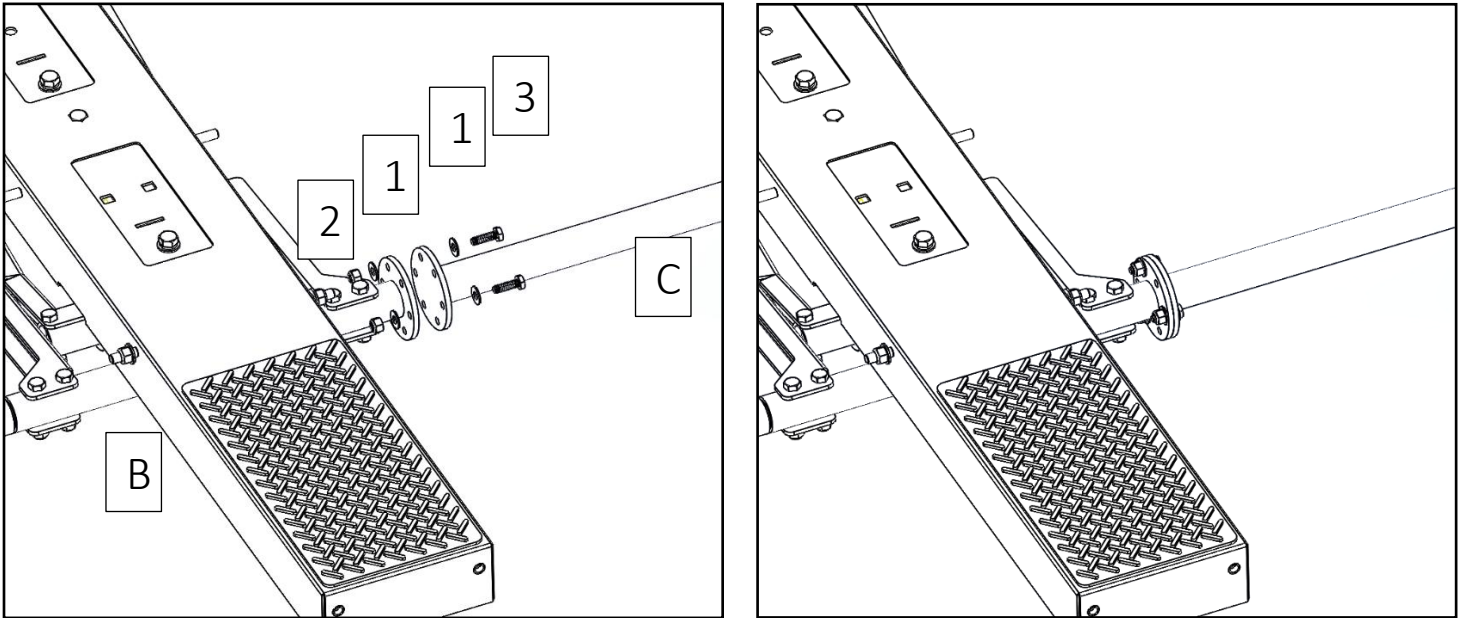
Step 3 – Torque Tube Installation

****BE SURE THE BOTH FRONT AND REAR LADDER PANS ARE ALL THE WAY DOWN ON THE BOWS WHILE TIGHTENING****



- Bolt Torque Tube(C) to Rear Bow Assy(B) using three .25" x .875" hex head bolts (3) six .25" flat washers(1) and three .25" nyloc nuts(2).

You may want to put a foam packing block under the front of torque tube (C) to make it level while tightening

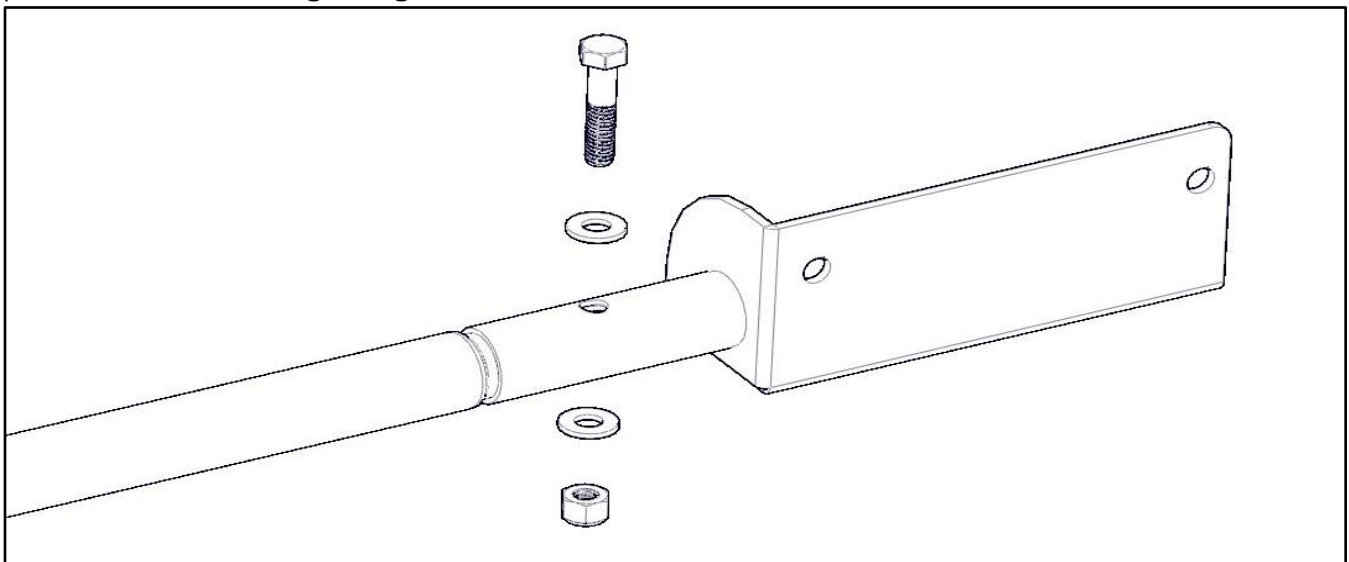


- Repeat process to bolt to the front bow assembly(A).

Step 4 – Ladder Pan Support

A.

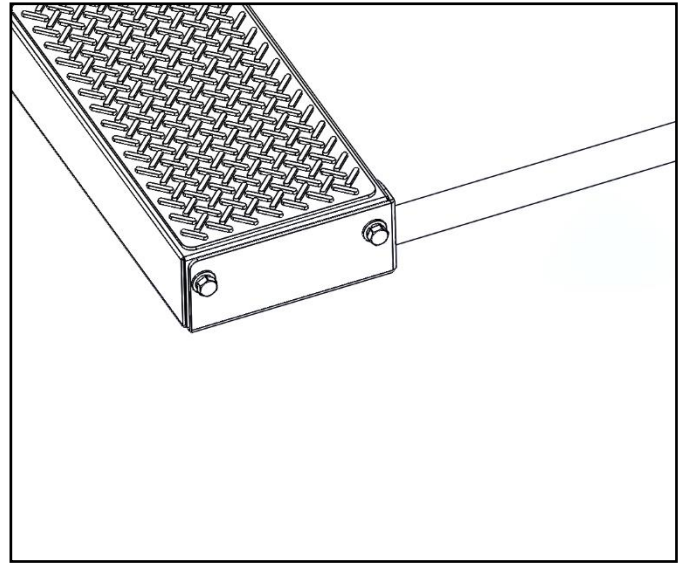
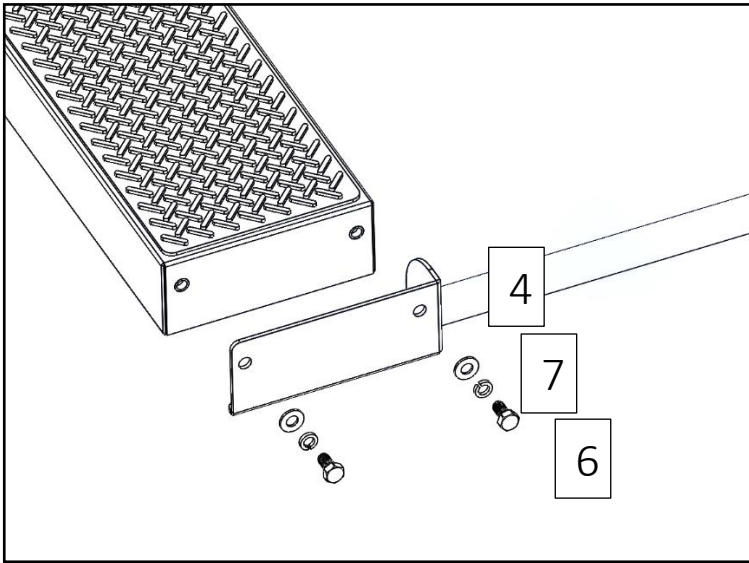
- Assemble Support Tube(D&E). Put E6000(14) into tube swedge and around the bolt holes to prevent water from getting into tubes.



- Use .312" x 1.5" hex head, .312" flat washers and a .312" nyloc nut.

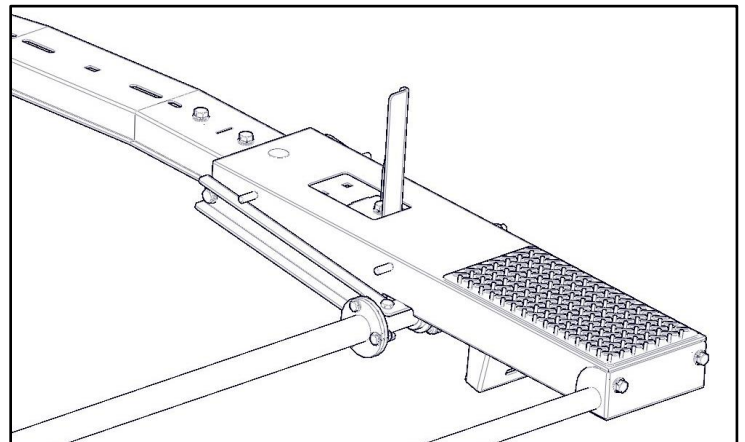
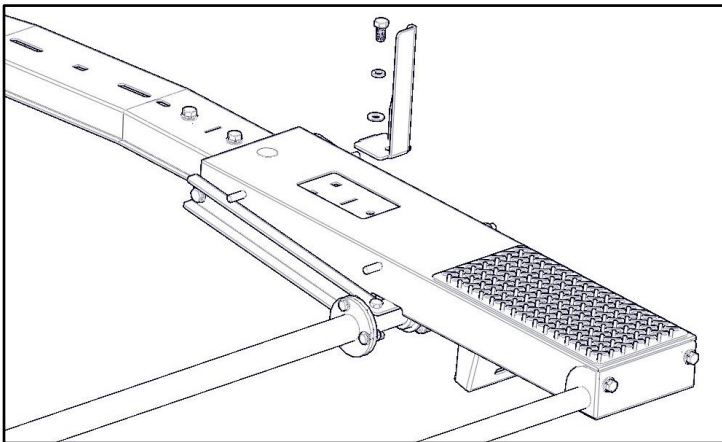
B.

- Attach Support Tube(D&E) to the Ladder pan as shown using .312" x .625 hex head (6) with .312" lock washers(7) and .312" flat washers(4).
- Repeat at front and rear bow.

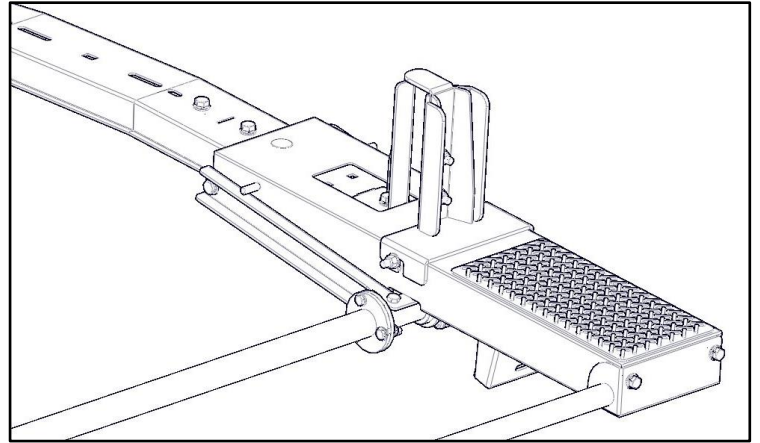
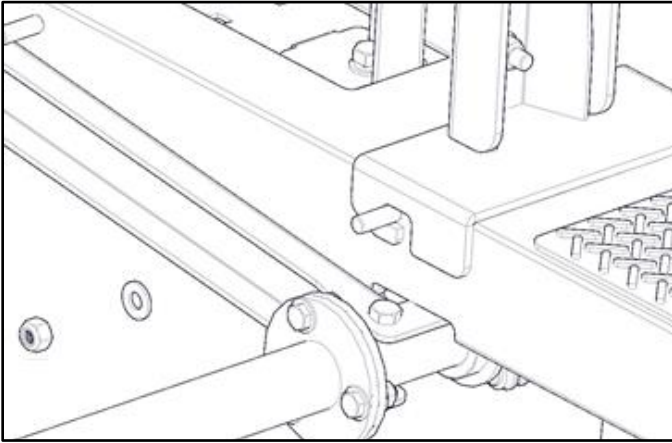


Step 5 – Ladder Stops and Hooks

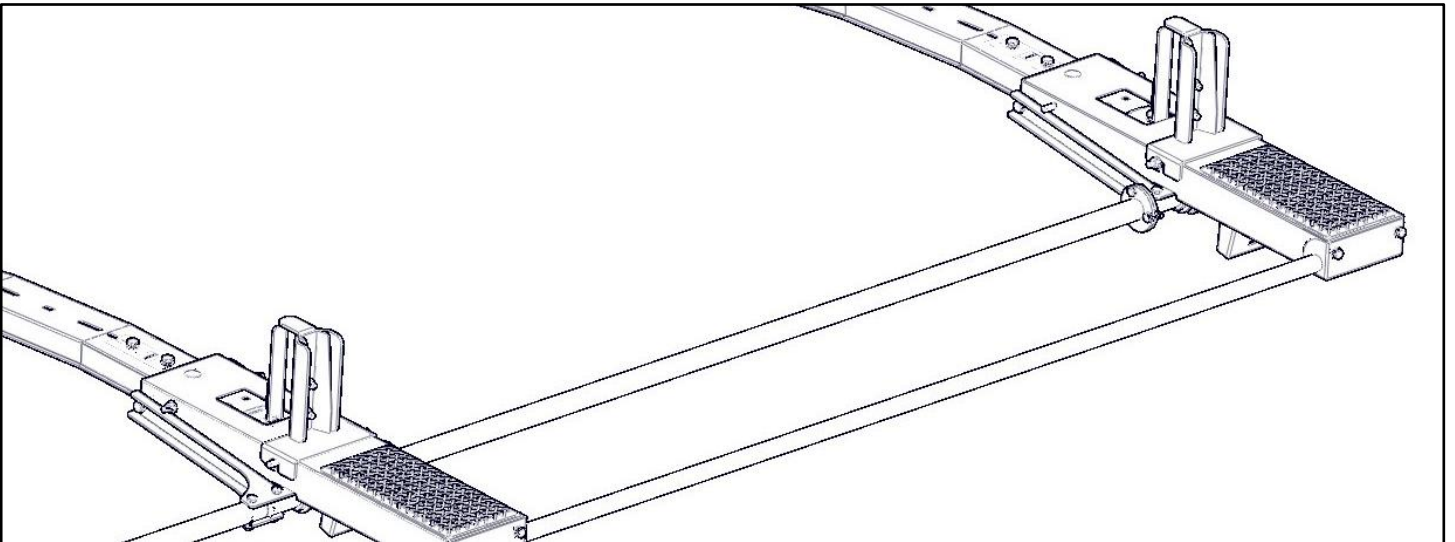
- On the front bow (A), remove 3/8"x3/4" bolt, 3/8" split lock washer and 3/8" flat washer from shown location and install Ladder Stop(I)



- Bolt Ladder Hook (H) to the lower position where the pem studs are installed. Use a .312 flat washer and a .312 nyloc nut .
- Repeat on both sides of ladder hook (H).

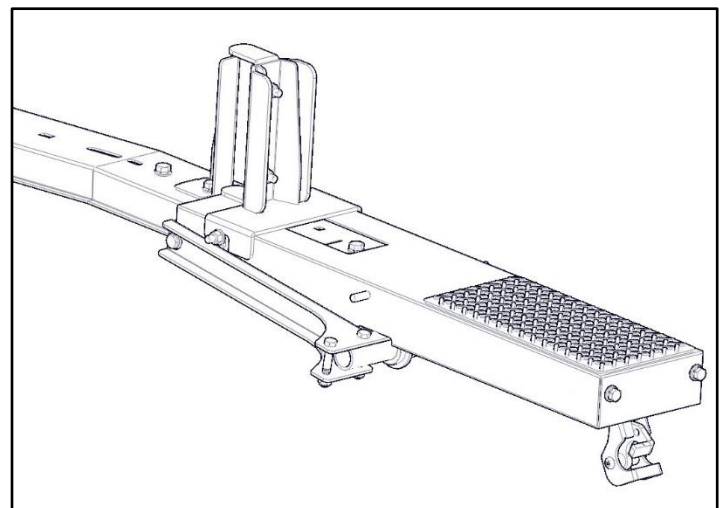
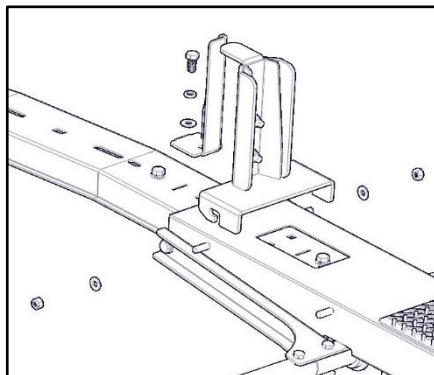


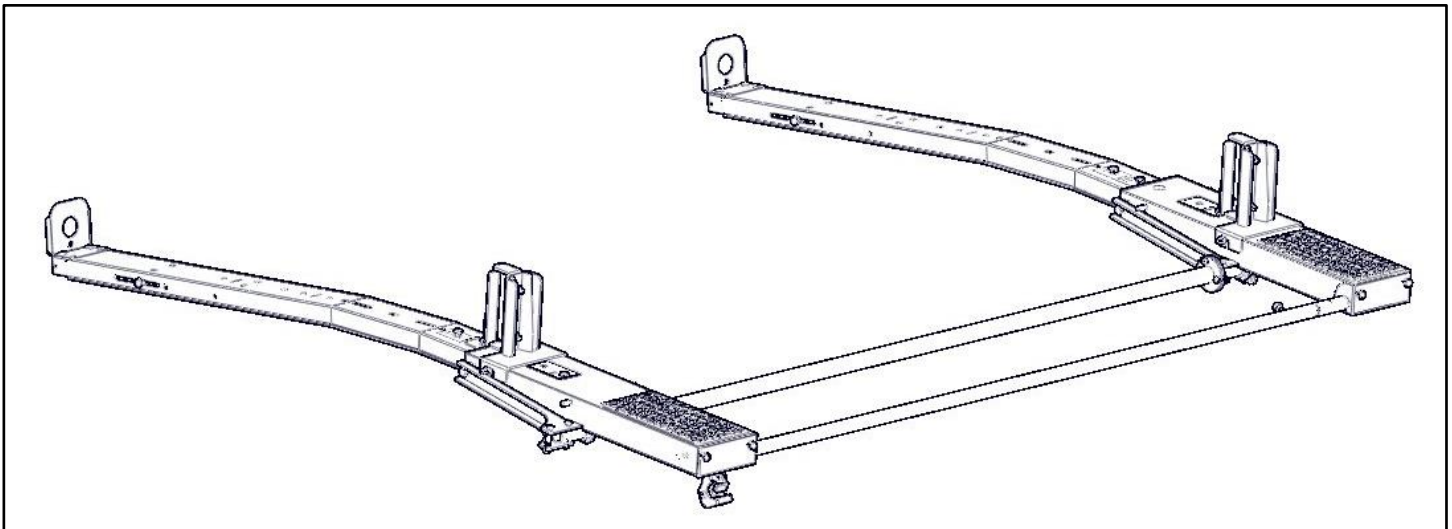
- If using an “Extension Ladder” put the Ladder Stop(I) at the same location on the Front & Rear Bow Assy.(A&B).



Step Ladder Set-Up

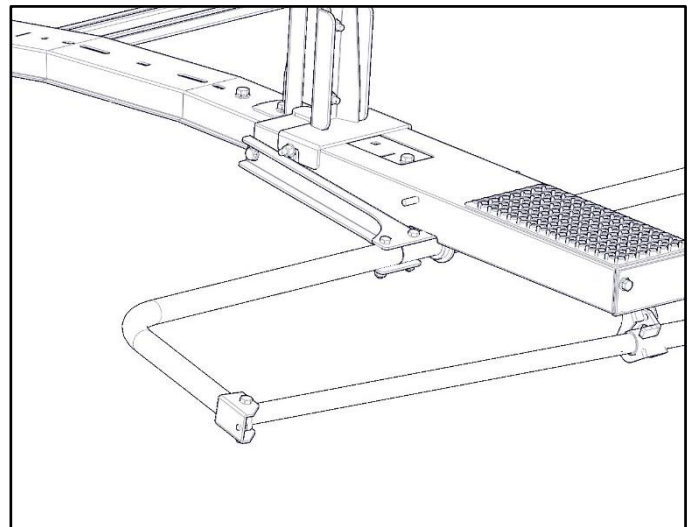
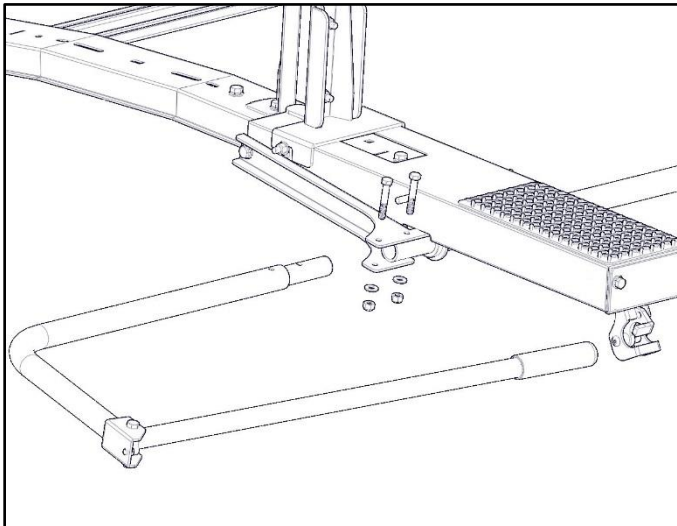
- If installing for a “Step ladder”, The ladder hook (H) and the ladder stop (I) change positions on the rear bow.
- Both of these parts move higher up on the bow and are installed using the other pem studs.





Step 6 – Installing Handle

- Attach the handle (F) to the rear bow assembly.



Step 7 – Installing Rack

- If you built the rack on the bench you can now set the rack on the mounts as described in the mount kit.
- See step 2 for reference.

GO BACK AND ENSURE ALL HARDWARE IS TIGHT

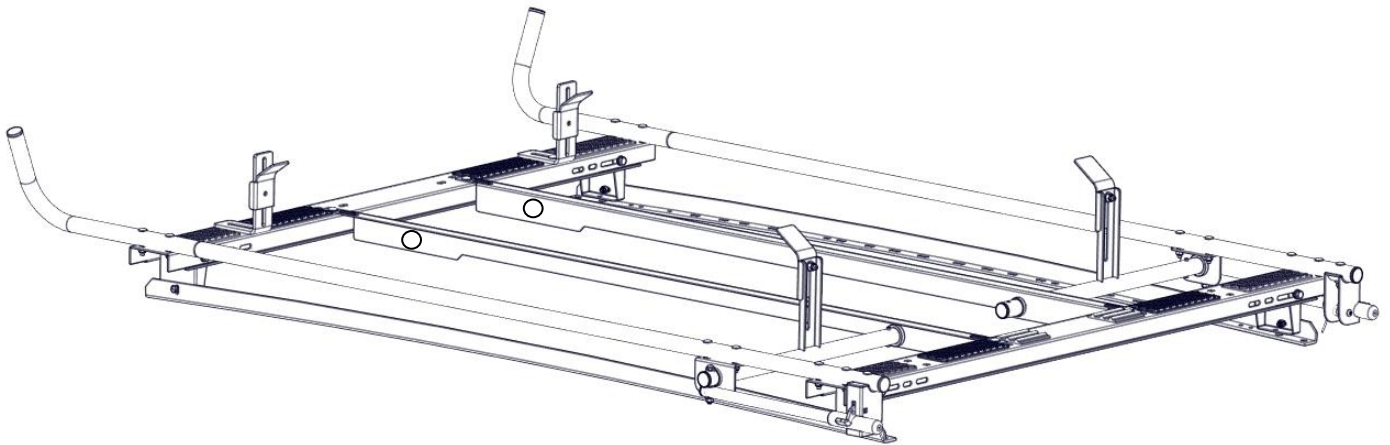
Your installation is now complete.

KARGO MASTER[®]

WE PUT EVERYTHING WITHIN REACH.

Instruction Guide

4081L



***PLEASE READ ALL INSTRUCTIONS AND WARNINGS PRIOR TO ASSEMBLING,
INSTALLING, AND USING THIS PRODUCT***

Warning



Always check for wires, fuel tanks and lines, brake lines and other important vehicle functionality items prior to drilling and installing all products.

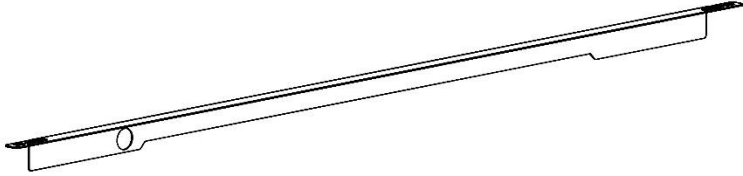
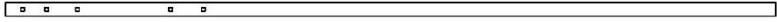

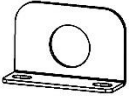
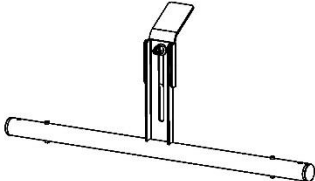
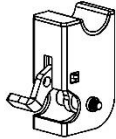
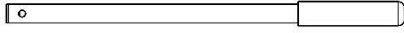
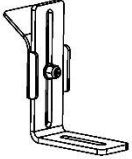
Tools Needed

9/16" Socket and Wrench	1/2" Socket and Wrench
-------------------------	------------------------

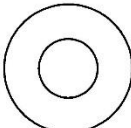

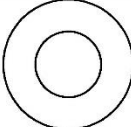
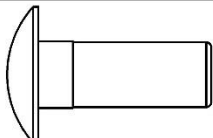
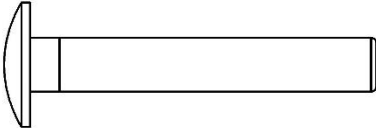
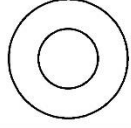

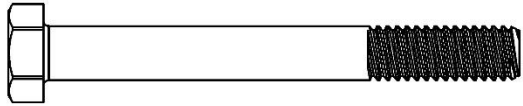
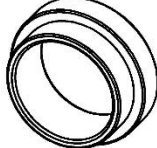
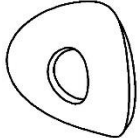
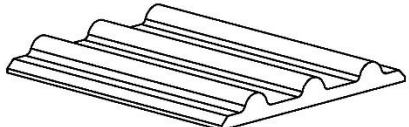
Before You Begin

- Read all instructions. Find your vehicle roof rail mounting prior to rack assembly.
 - Be sure to put E6000 sealant around all threads entering cargo area and between the rubber spacer and roof of vehicle to prevent water from leaking into cargo area.
 - **DO NOT EXCEED MANUFACTURERS WEIGHT CAPACITY FOR ROOF**
 - **PLACE ANTI-SEEZE ON ALL THREADS**
-

Parts

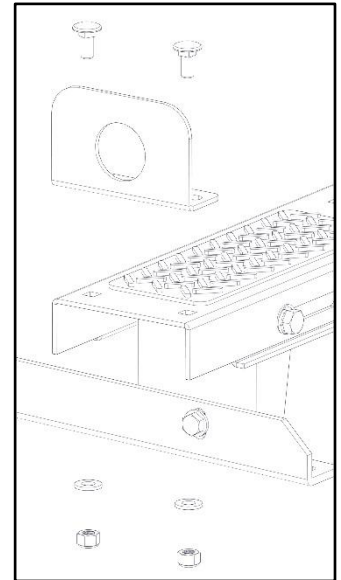
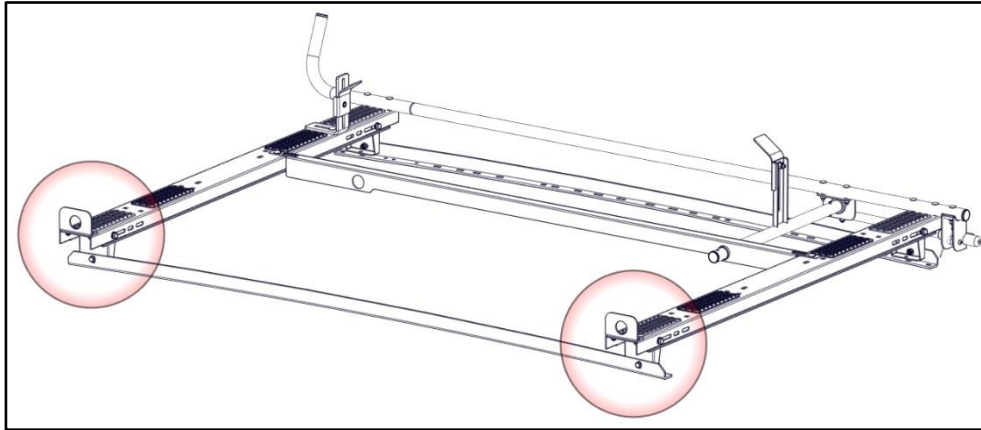
ITEM NO.		PART NUMBER	DESCRIPTION	QTY.
A		11-03005-R2-L	DS LONG ANGLE BRK	1
B		40800-50-001	TUBE	1
C		40800-50-002-R1-L	DS BEND TUBE	1
D		11-03027	ANGLE BRK	1
E		13-03007-R1	PIVOT LADDER CLAMP ASM	1
F		40813-44	HANDLE CLAMP ASM	1
G		13-03008-R2	HANDLE ASM	1
H		13-03009	LADDER CLAMP ASM	1
		18-4081L	HARDWARE	1

Assembly Hardware (18-4081L)

ITEM NO.	TO SCALE	PART NUMBER	DESCRIPTION	QTY.
1		90295A160	.06x.34x.75 Nylon Washer	2
2		.375-16 NYLOC	3/8-16 Nyloc Nut	3
3		.375 FLAT WASHER	3/8 Flat Washer	3
4		.375-16 x 1 Carriage	3/8-16x1 Carriage Bolt	3
5		.312-18x2.0 CARRIAGE BOLT	5/16-18x2.0 Carriage Bolt	7
6		96659A107	5/16 FLAT WASHER	8
7		91831A030	5/16 NYLOC	8
8		.312-18 X 2.75 HEX BOLT	5/16-18x2 3/4 Hex Bolt	1
9		40800-10-007		2
10		91844A230	5/16 CONTOUR WASHER	1
11		Extra Rubber Pad	1:2 SCALE	1

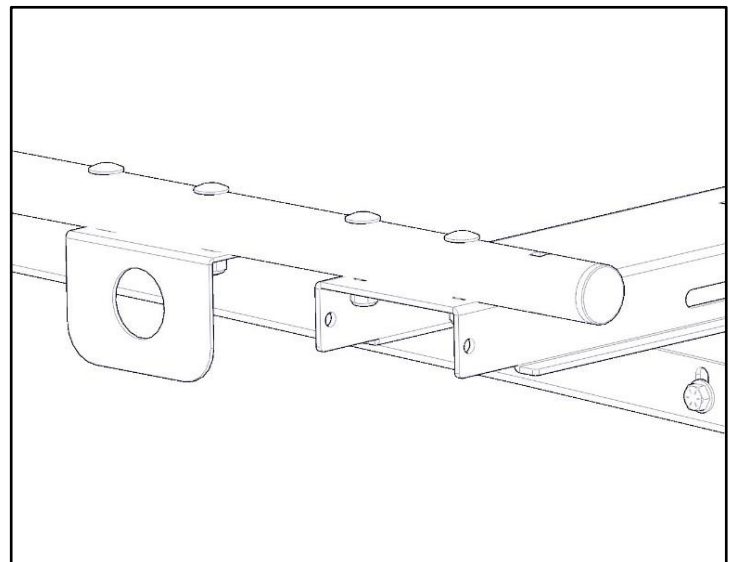
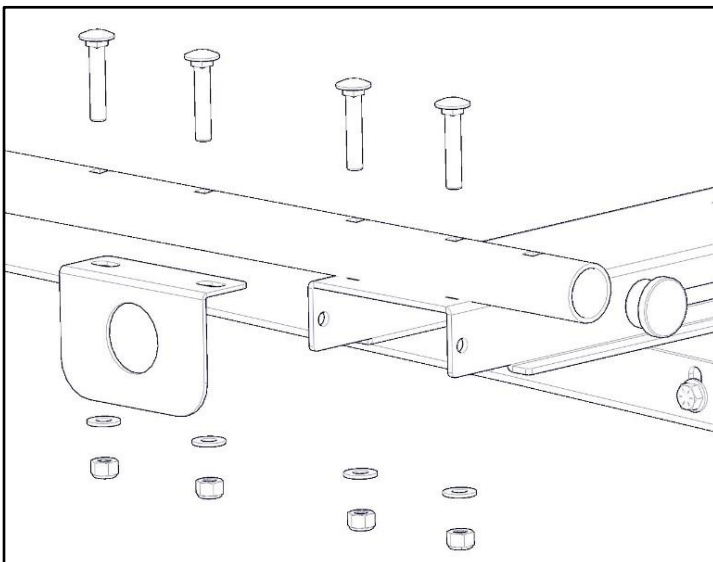
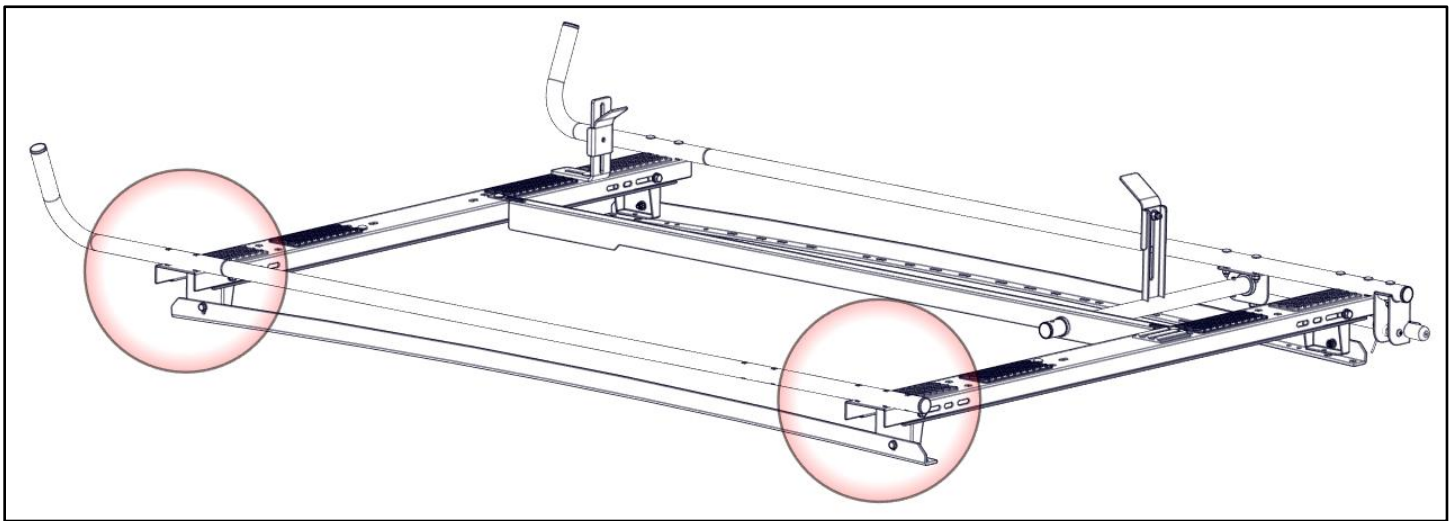
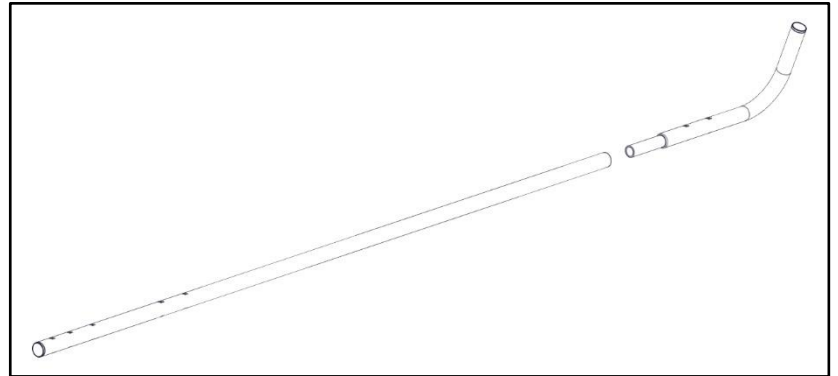
Step 1 – Remove Ladder Stops

- If havent already done so, remove ladder stops from opposite end of both bows where the clamp and lock is installed.



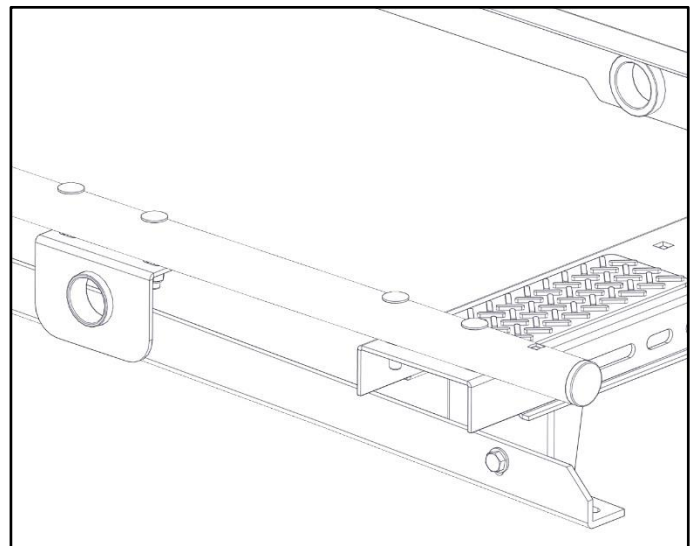
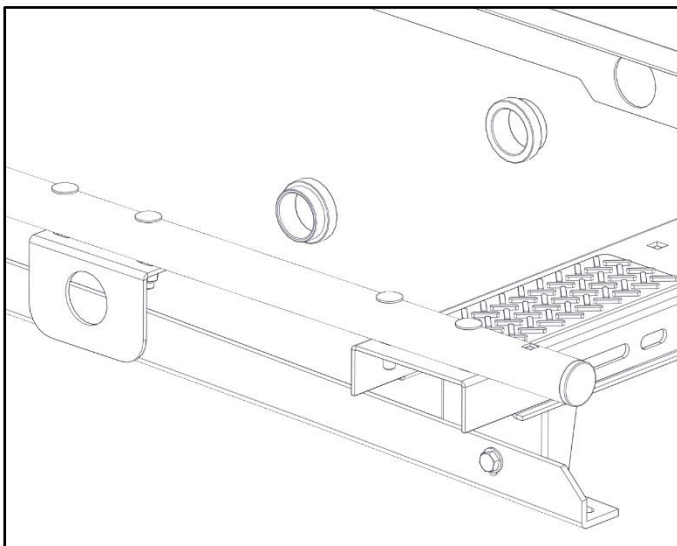
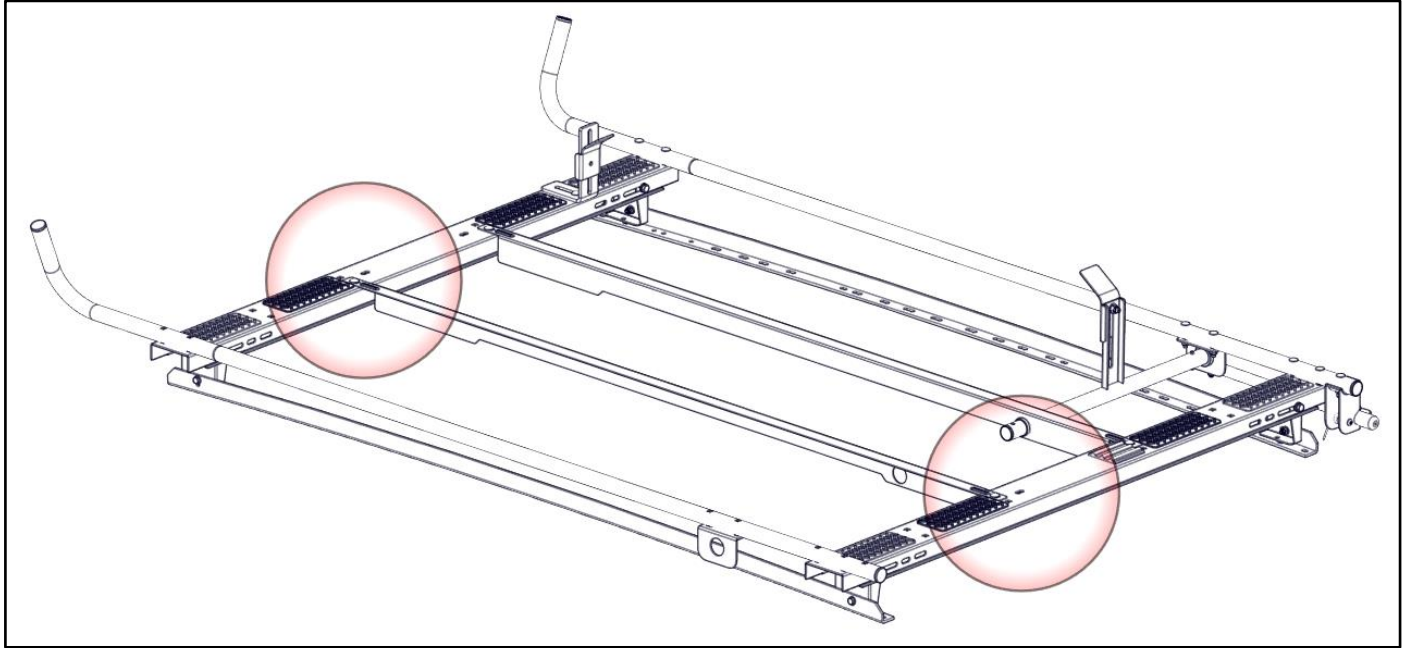
Step 2 – Mount Side Tube

- Place a generous amount of E6000 into the tube connection.
- Place side tube on top of installed bows.
- Have the bend towards the front of the vehicle as shown.
- Mount rotation bar plate to the rear of the tube as shown.
- Leave one square slot open at the rear.
- Bolt together using 5/16" x 1-3/4" carriage bolt, a 5/16" flat washer and a 5/16" nyloc.
- Snug Tighten, but allow movement.

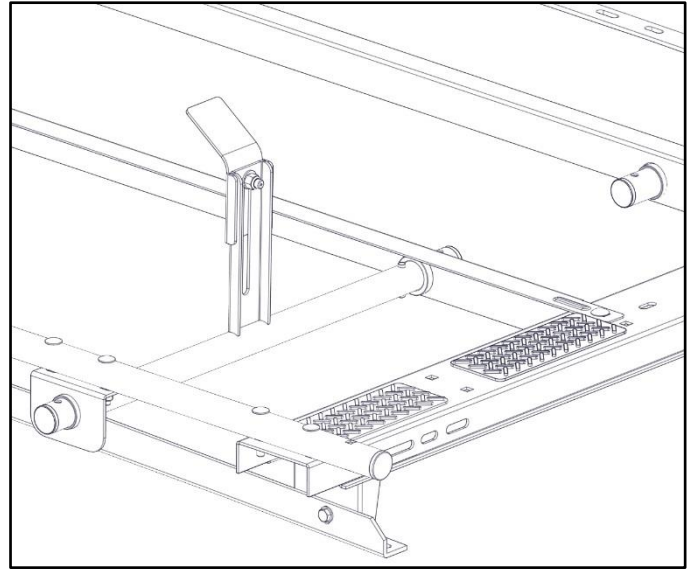
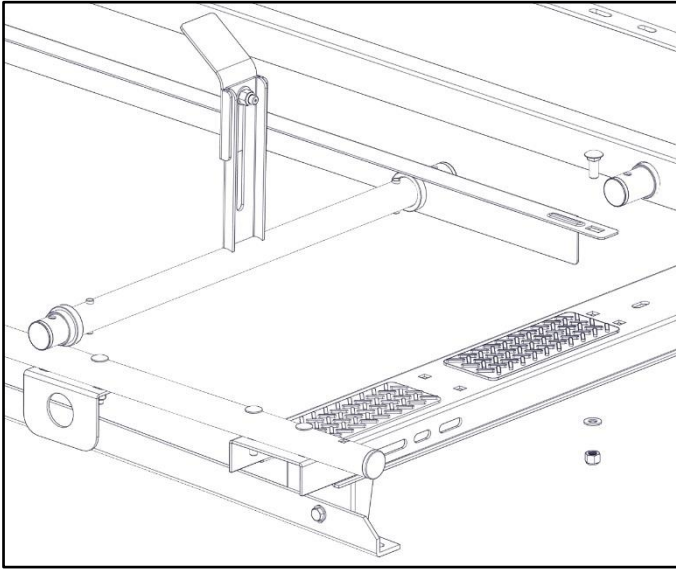


Step 3 – Mount Clamp Tube

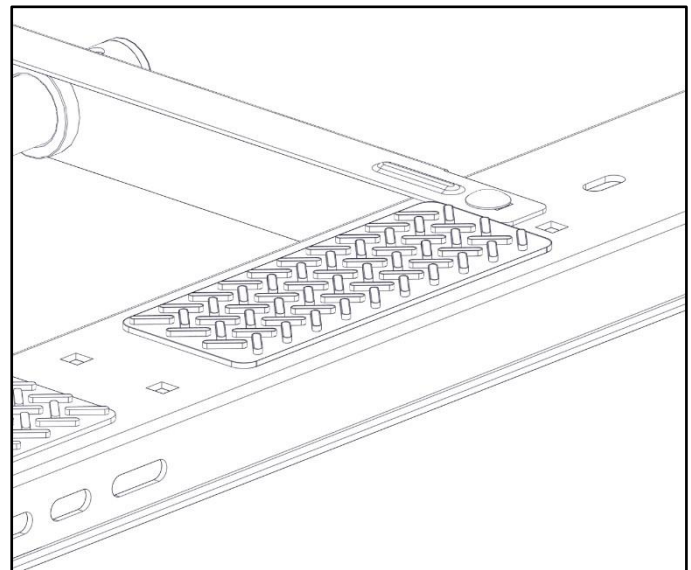
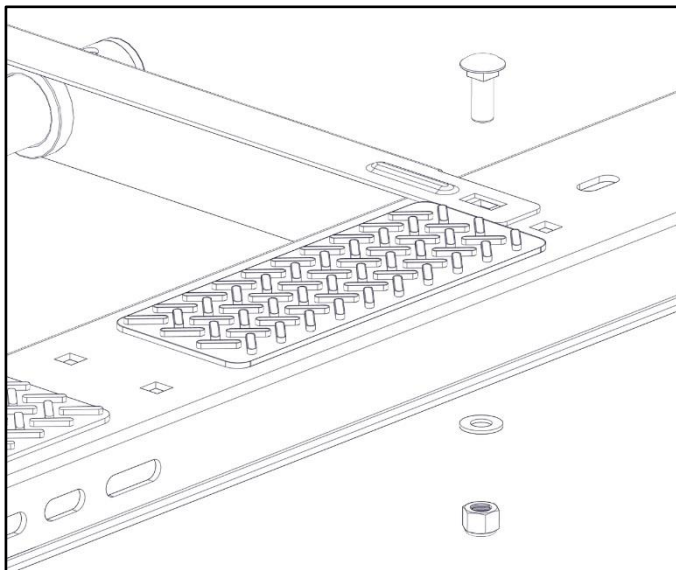
- Place clamp and lock L bracket on top of installed bows. Do not install hardware right now.
- Insert plastic bushings into the clamp and lock L bracket and the rotation bar plate installed in Step 2, with flanges as shown so they cannot come out at a later time. If bushings are not placed in correct orientation, they can fall out.



- Insert clamp tube into both plastic bushings.
- Adjust clamp on clamp tube to fit firmly against your ladder.

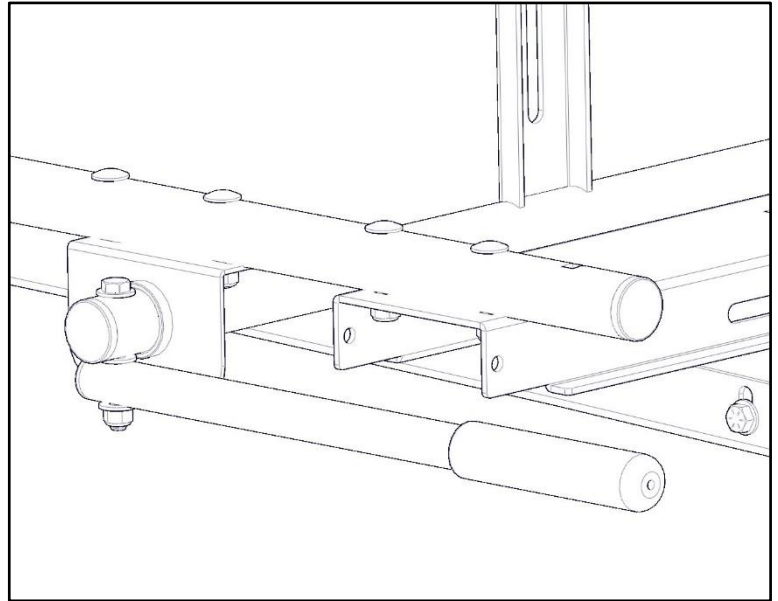
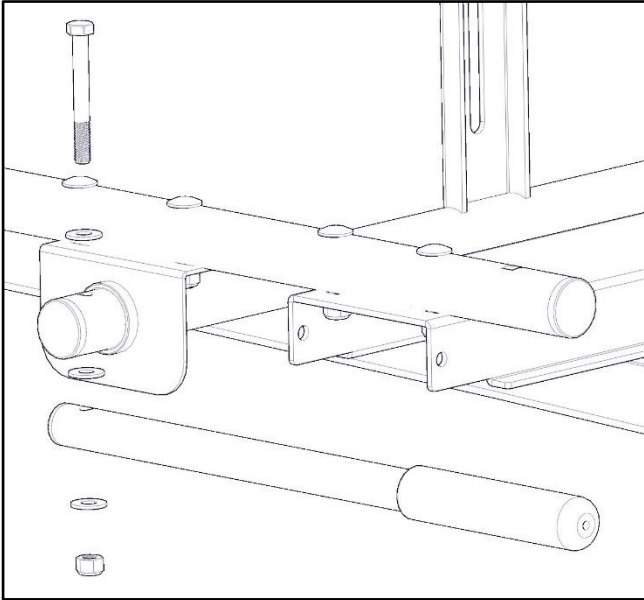


- Bolt clamp and lock L bracket to bows using 3/8" x 1" carriage bolt, 3/8" flat washer and a 3/8" nyloc as shown. (This view shown without clamp tube)
- TIGHTEN



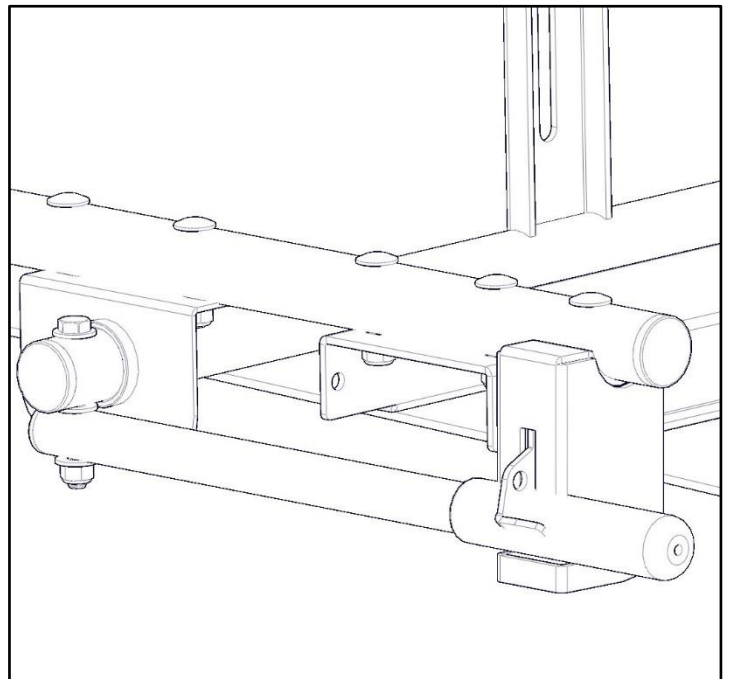
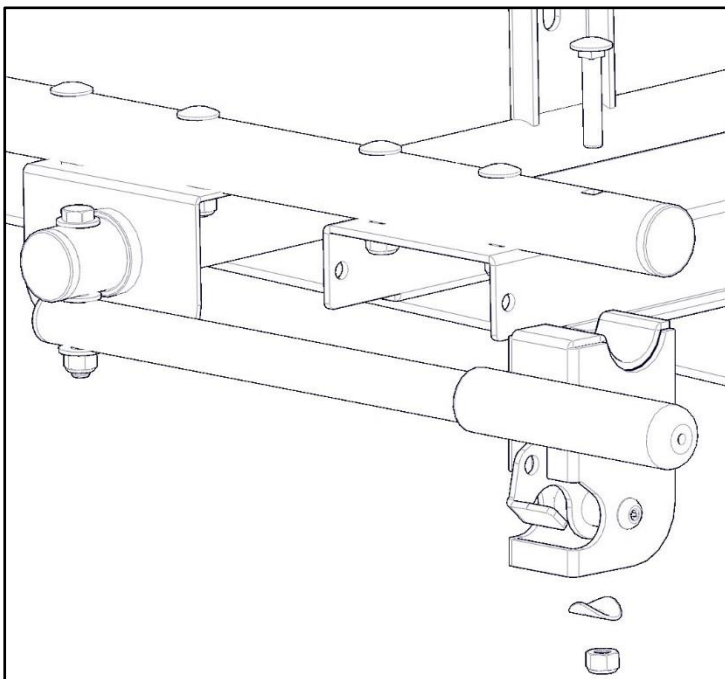
Step 4 – Mount Handle

- Bolt handle to clamp tube using a 5/16" x 2-3/4" hex head, two 5/16" flat washers, 5/16" nylon washer and 5/16" a nyloc. The nylon washer goes in between the clamp tube and handle.
- TIGHTEN



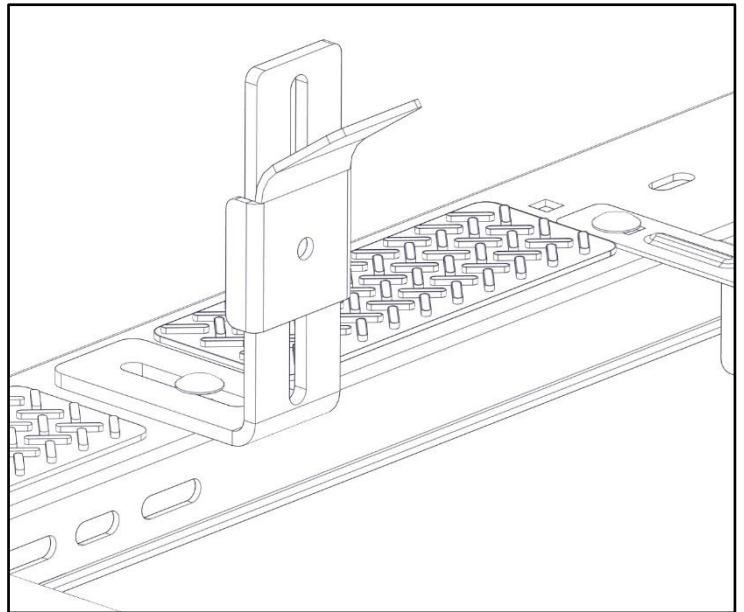
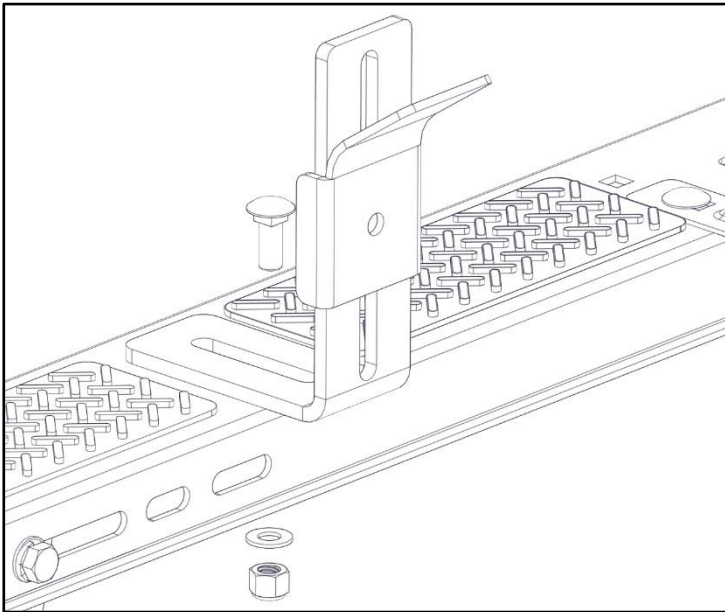
Step 5 – Mount Latch Assembly

- Bolt latch to the rear of the mount tube that was installed in Step 5 using 5/16" x 1-3/4" carriage bolt, 5/16" curved washer and a 5/16" nyloc.
- TIGHTEN



Step 6 – Mount Ladder Hook

- Bolt ladder hook bracket to the bow in the orientation shown using a 3/8" x 1" carriage bolt, a 3/8" flat washer and a 3/8" nyloc. Be sure the bracket is square to the bow.
- Adjust clamp on bracket to fit firmly against your ladder.
- TIGHTEN



GO BACK AND ENSURE ALL HARDWARE IS TIGHT
Your installation is now complete.