

KEEP THIS GUIDE WITH VEHICLE AT ALL TIMES

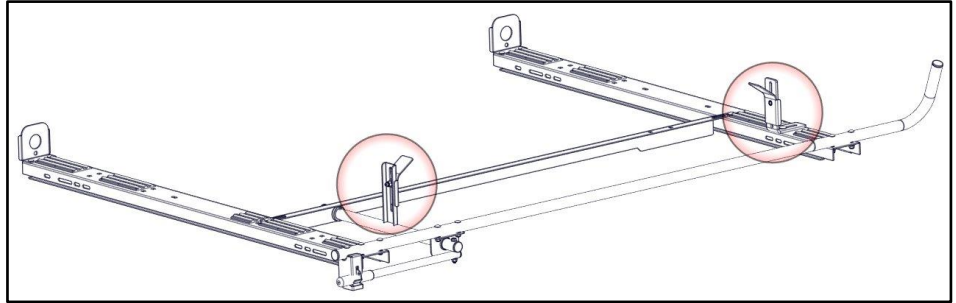
* PLEASE READ INSTALLATION INSTRUCTIONS FOR FURTHER ASSEMBLY AND USE INFORMATION. *

**** DO NOT install ladder until ladder hook orientation and position are adjusted. ****

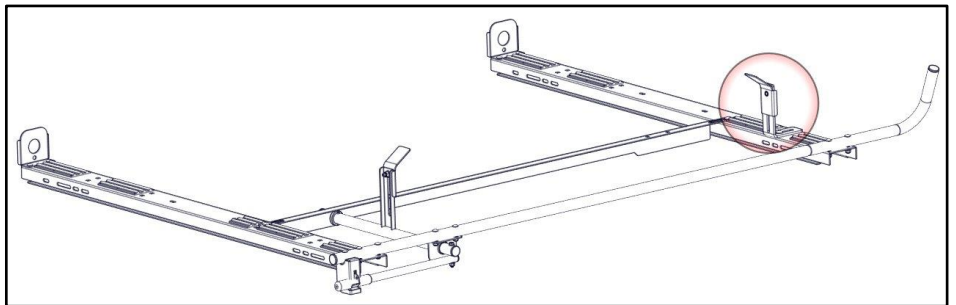
**** ALWAYS ENSURE LADDER IS SECURED TO TOP OF RACK BEFORE MOVING VEHICLE. ****

Tools Needed 9/16" Wrench and Socket

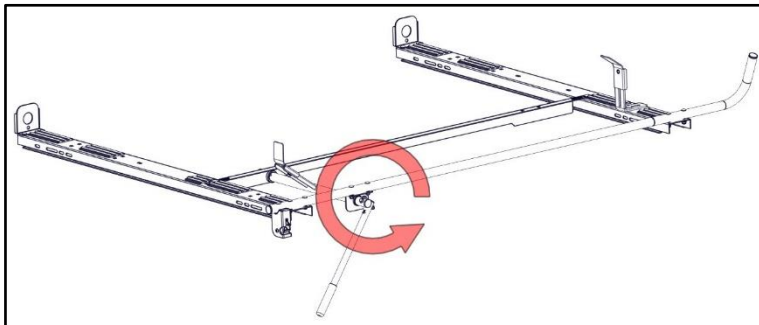
Step 1 - Loosen bolt on front and rear ladder stops. Adjust ladder stop up. Tighten nuts.



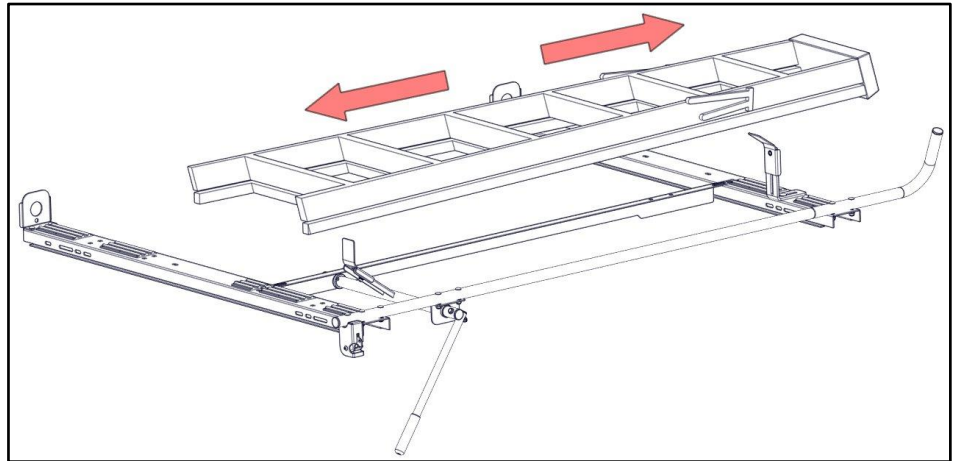
Step 2 - Loosen the bolt that secures the front ladder stop to the cross member.



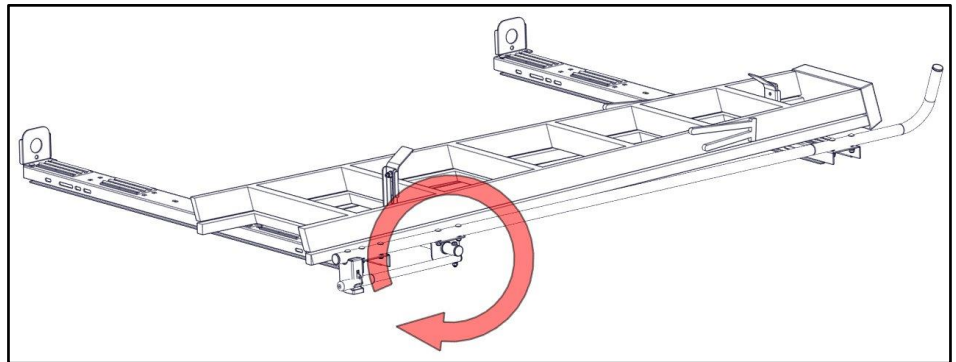
Step 3 - Lower the clamping mechanism.



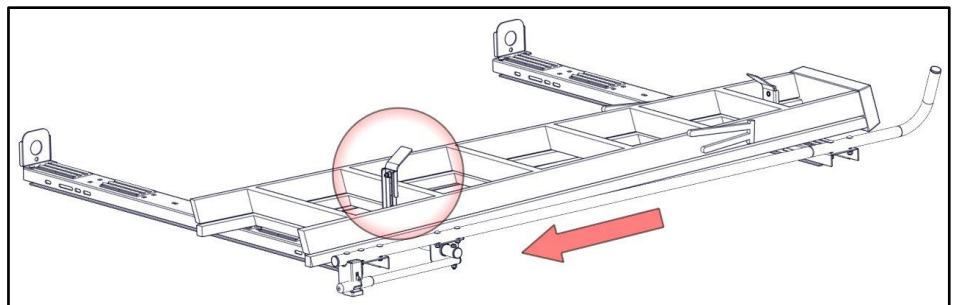
Step 4 - Load ladder onto rack and adjust ladder about where you want ladder to sit on rack.



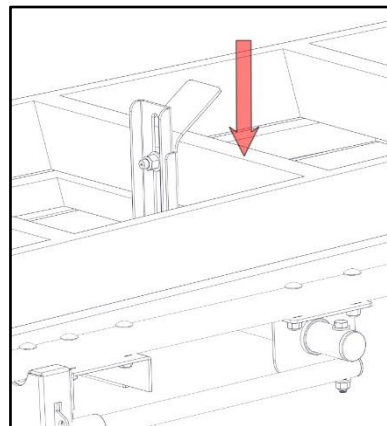
Step 5 - Raise clamping mechanism and stow handle into the rack.



Step 6 - Push ladder to rear so rung sits flush against clamping mechanism.

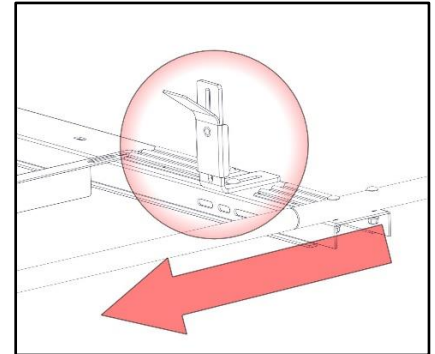
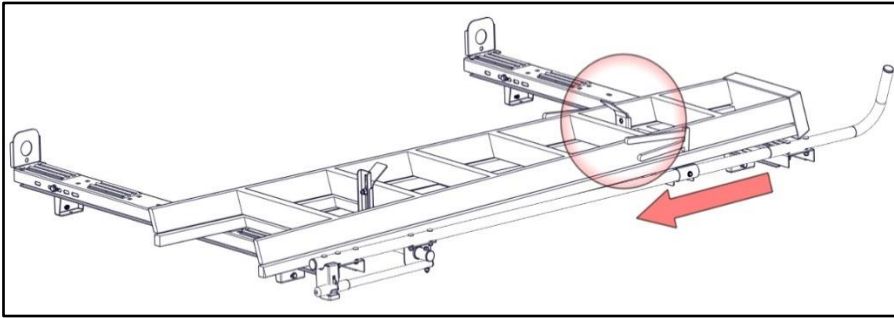


Step 7 - Loosen bolt on angled pad and adjust downward until firmly against top of ladder. Tighten nut.

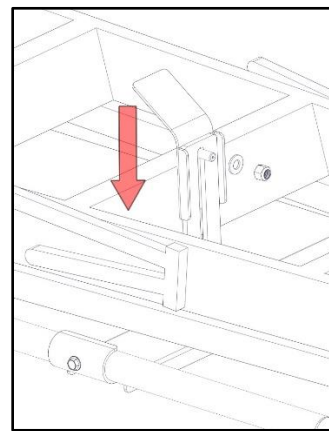


Step 8 - Adjust front ladder stop tight against rung and tighten bolt and nut to cross member.

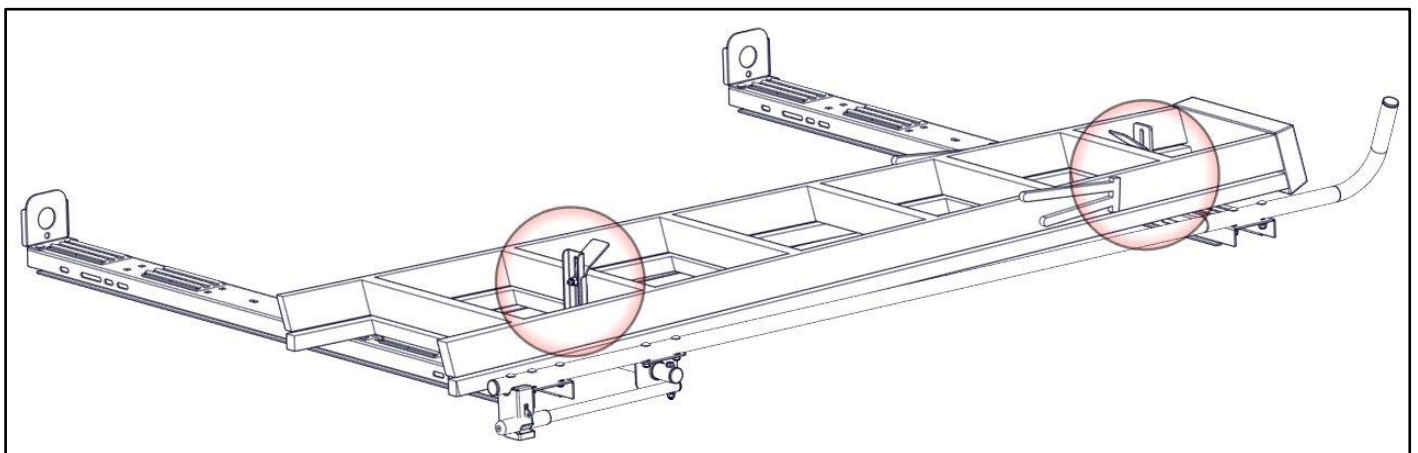
**** BE SURE THE LADDER HOOK IS FIRMLY AGAINST TOP LADDER STEP OR RUNG. ****



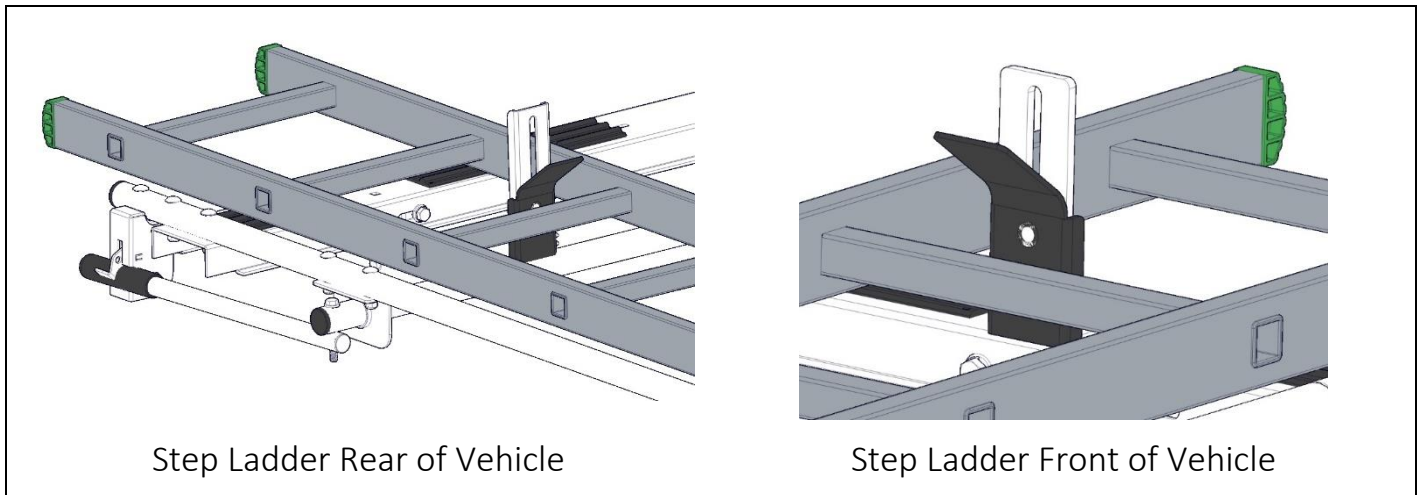
Step 9 - Loosen nut on front ladder stop angled pad. Adjust pad downward and firmly against ladder. Tighten nut.



**** BE SURE TO HAVE FIRM CONTACT ON BOTH LOCATIONS SHOWN BELOW ****



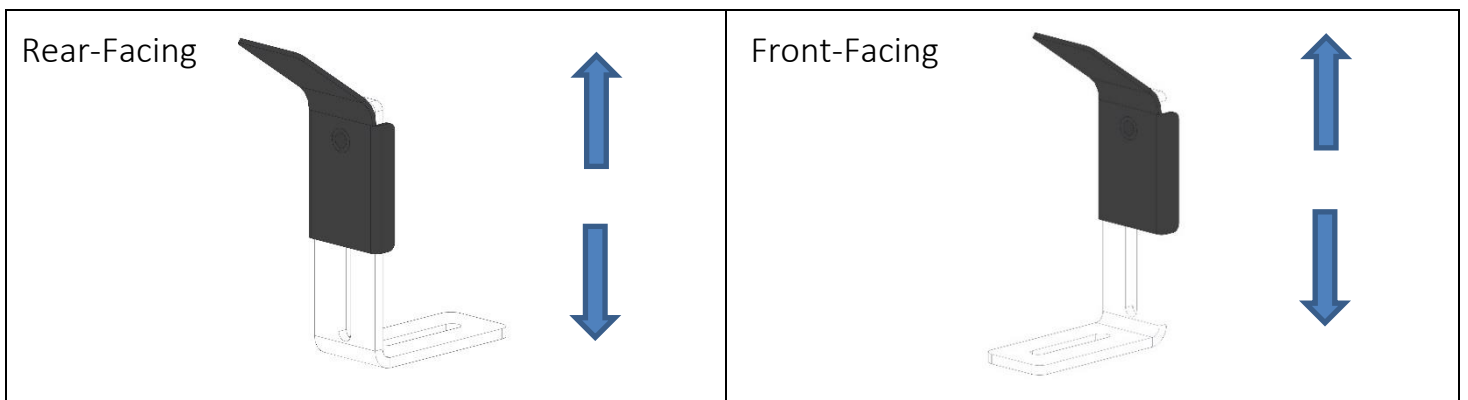
EXAMPLES OF LADDER CLAMPS FIRMLY AGAINST LADDER RUNGS



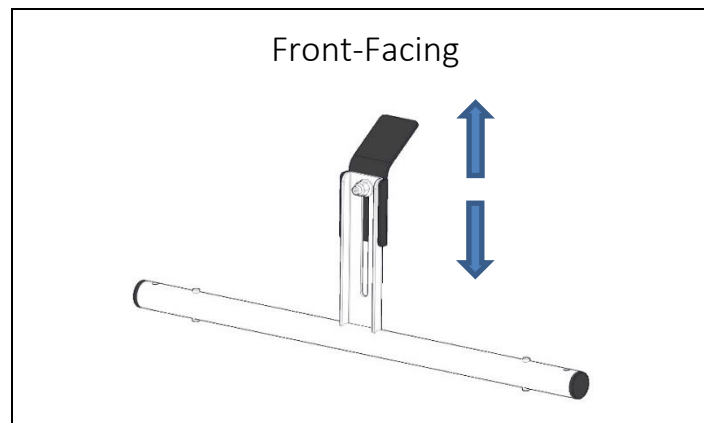
* Ladder hook must be positioned so hooks clamp ladder tightly into place. *

Front Clamp-Different Clamp Orientations

Orientation may differ depending on ladder size and type.



Rear Clamp-Different Clamp Orientation



**** ALWAYS ENSURE LADDER IS SECURED TO TOP OF RACK BEFORE MOVING VEHICLE. ****

* Securing ladder to rack with additional tie-down during transport is recommended. *

Discover other commercial van equipment on our website.