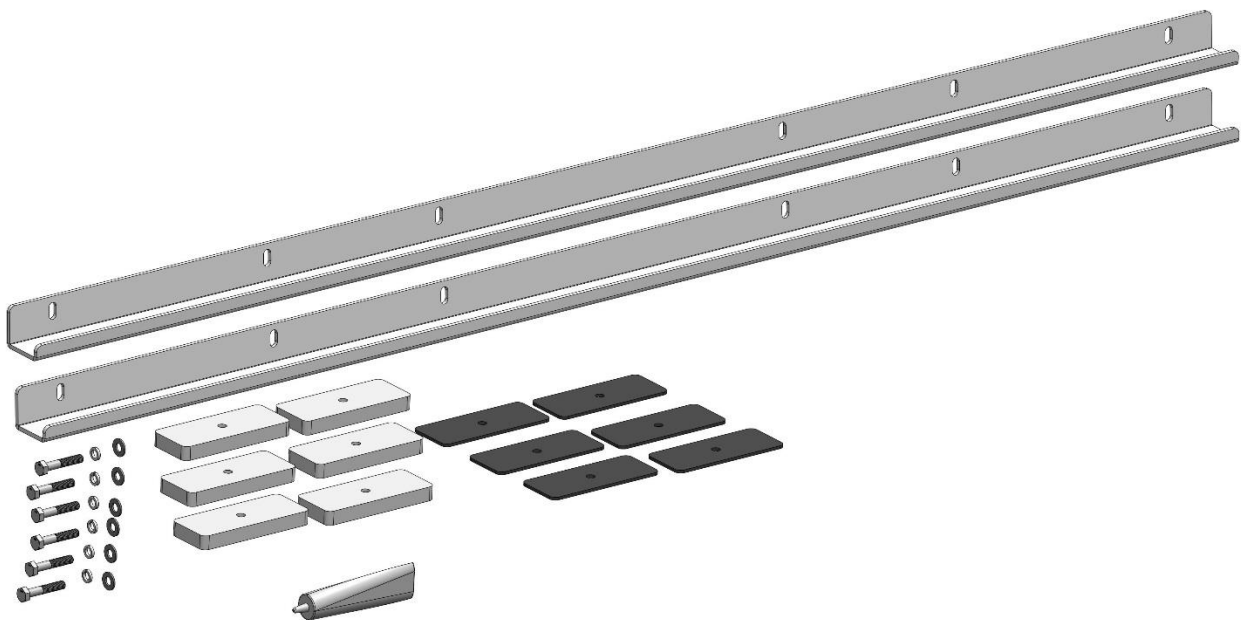

KARGO MASTER®

WE PUT EVERYTHING WITHIN REACH.

Installation Guide

4A82T



***PLEASE READ ALL INSTRUCTIONS AND WARNINGS PRIOR TO ASSEMBLING,
INSTALLING, AND USING THIS PRODUCT***

Warning



Always check for wires, fuel tanks and lines, brake lines and other important vehicle functionality items prior to drilling and installing all products.

Tools Needed

13mm Wrench and Socket	Measuring Tape

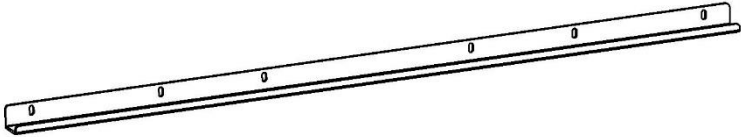
Table of Contents

Parts List2
 Hardware List2
Ford Transit Installation
 Step 1 Rear Foot Mounting3
130" Wheelbase
 Step 2a 130" WB Front Mount4
148" Wheelbase
 Step 2b Front Mount5

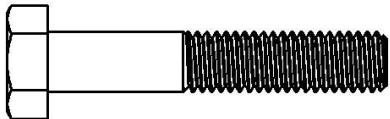

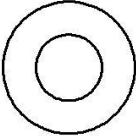
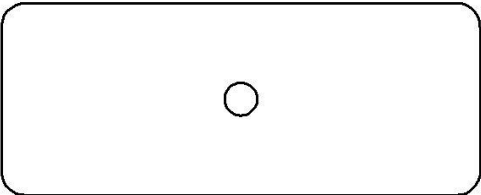
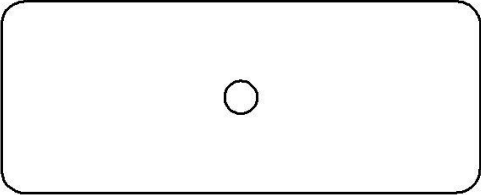
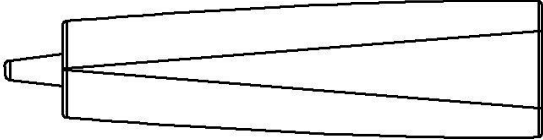
Before You Begin

- Read ALL instructions
- Follow the ladder rack instructions to install the ladder rack.
- Be sure to put sealant around exposed threads in roof. Place between the roof and the rubber pad. Put some on the threads of the bolt going into roof.

Parts

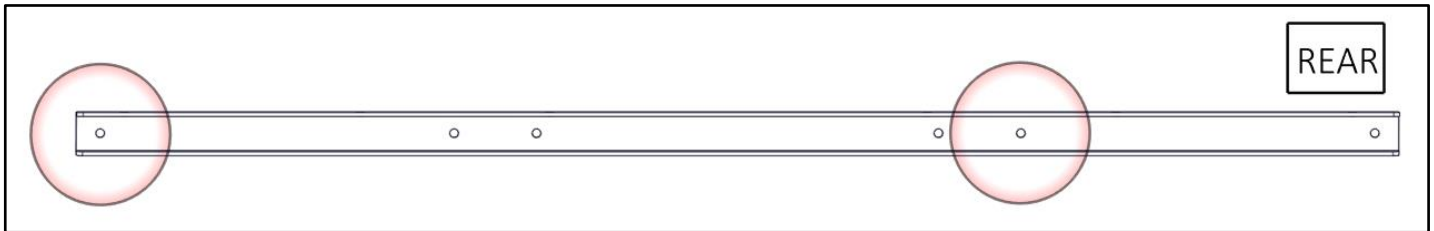
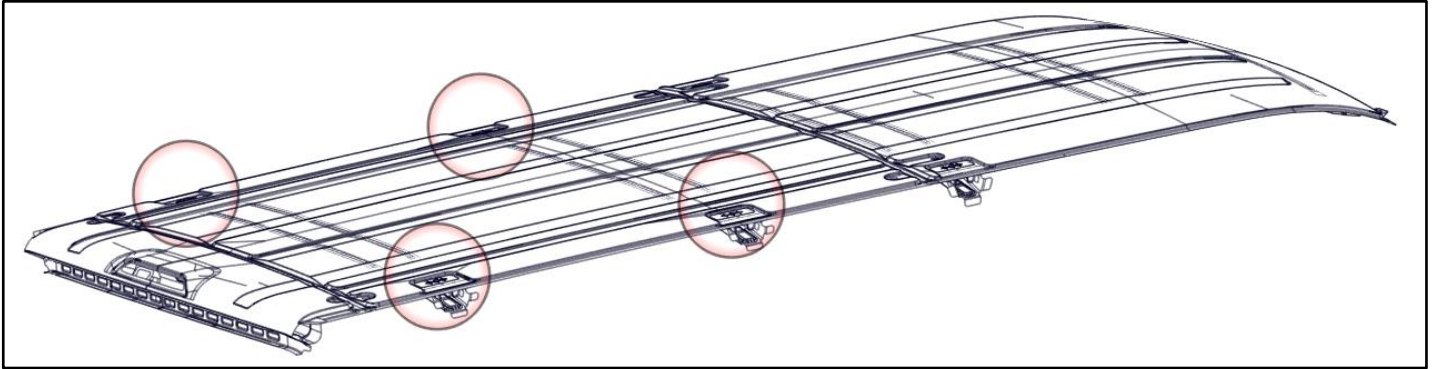
ITEM NO.		PART NUMBER	DESCRIPTION	QTY.
A		4A820-00-001	RAIL	2
		18-4A82T	HARDWARE KIT	1

Hardware

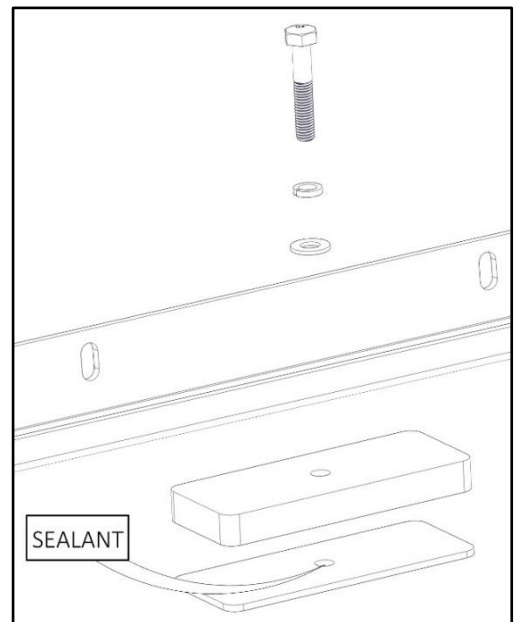
ITEM NO.	TO SCALE	DESCRIPTION	QTY.
1		M8 x 45mm HH	6
2		.312 Split Lock Washer	6
3		.312 Flat Washer	6
4		T249-01 (1:2)	6
5		T249-02 RUBBER (1:2)	6
		BH-821 (SILICONE)	1

Step 1a – 130” Wheel base Rear Mount

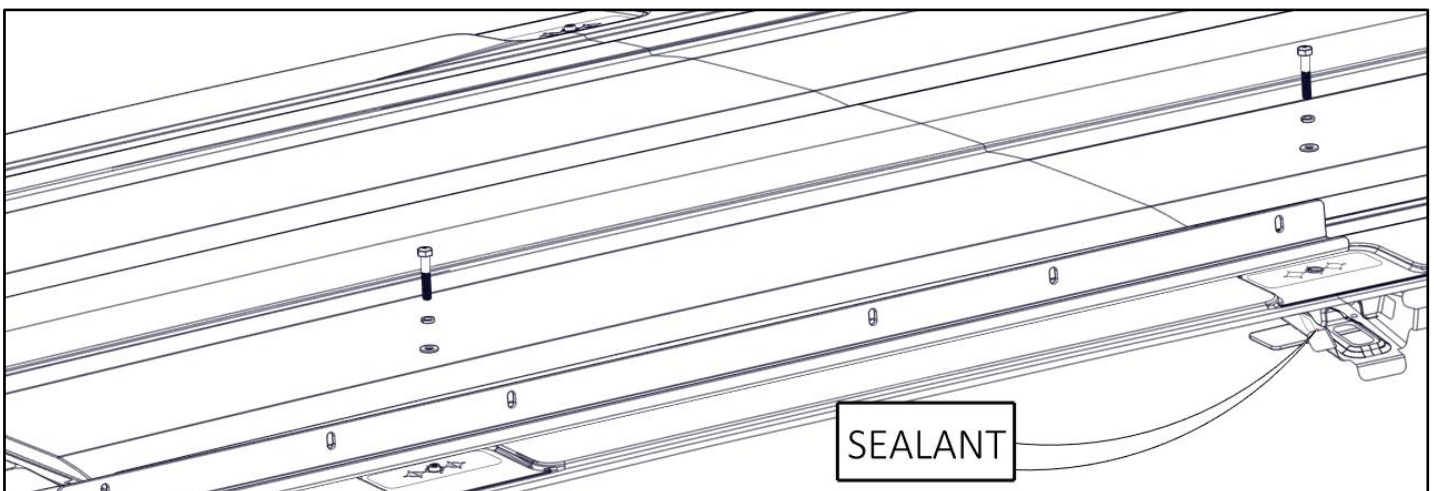
- Locate the threaded emboss at the rear of the van. Plugs may need to be removed.



- Place the long mount rail on the roof of the van with the tall flange to the center of the van.
- Bolt through the front most hole in the rail and the corresponding hole at the rear using M8 x 45mm bolts with lock washer and flat washers.
- The rail should be offset to the rear of the van as shown.
- Be sure to put the T-249-01 and rubber pad as shown to comply with the Ford bulletin "Q249". The rubber pad goes against the roof.
- Repeat on driver side.
- Snug tighten, allow movement.

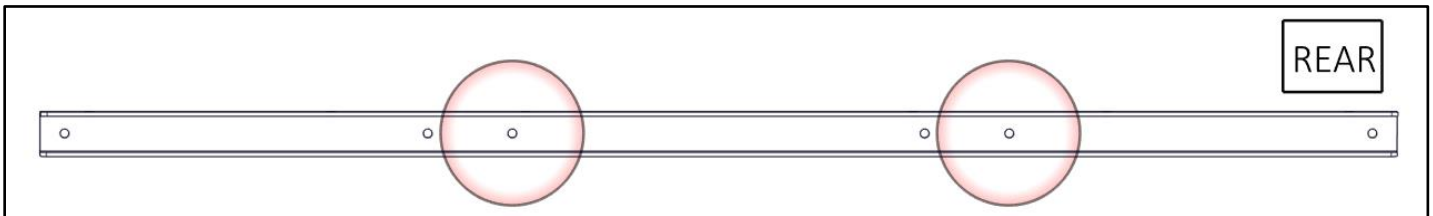
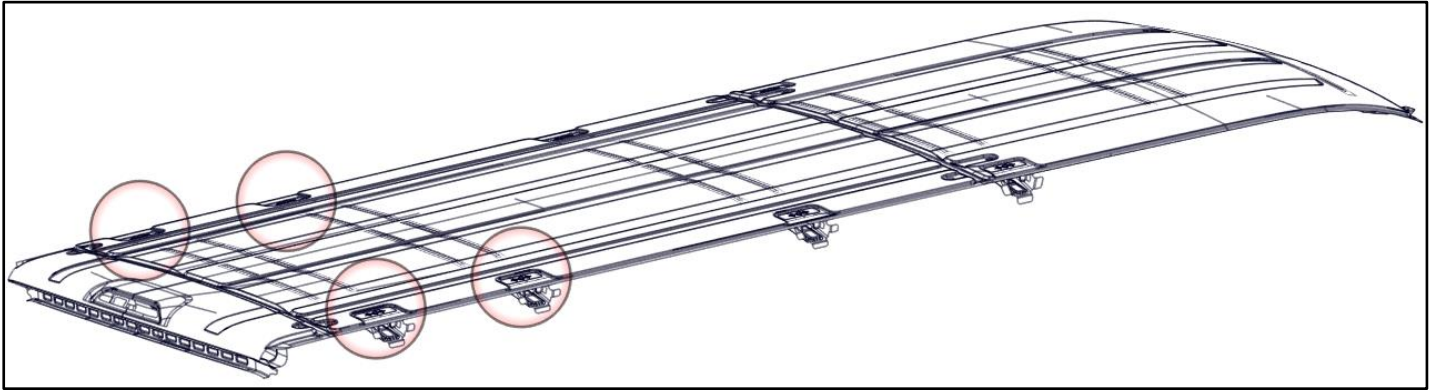


Be sure to place sealant in and around threaded emboss in roof to ensure no water gets into cabin of van.

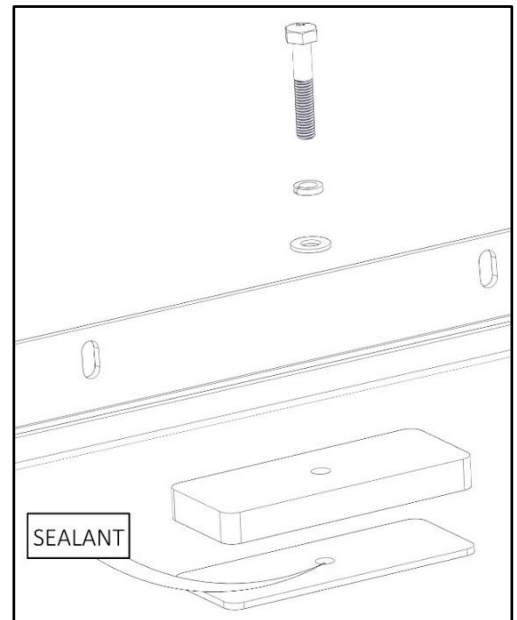


Step 1b – 148" Wheel base Rear Mount

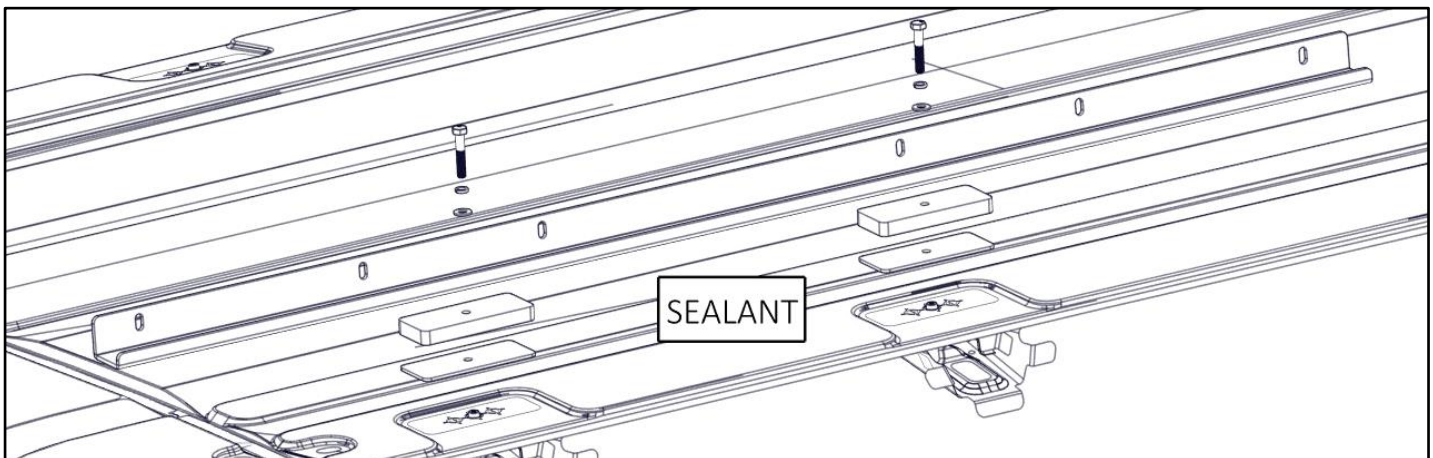
- Locate the threaded emboss at rear of van. Plugs may need to be removed.



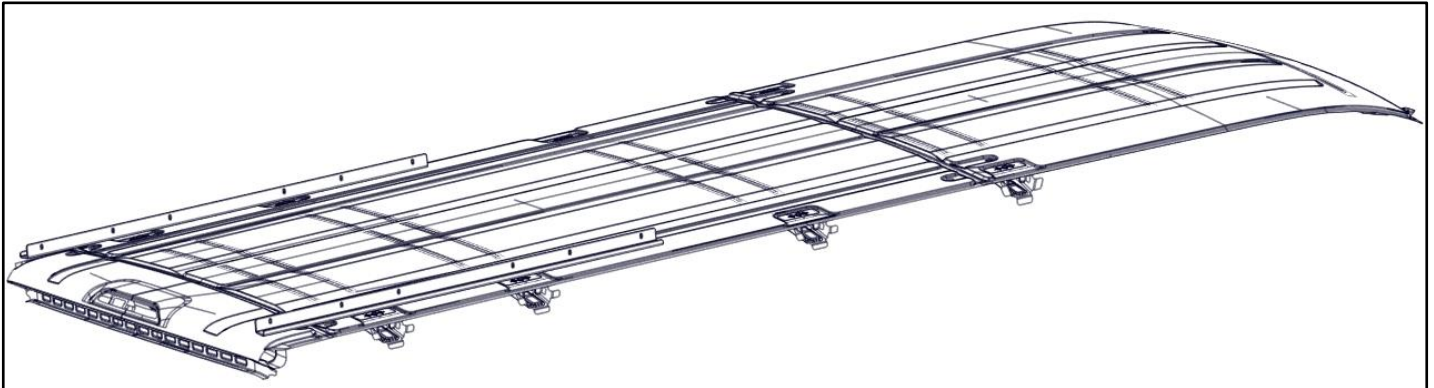
- Place the long mount rail on the roof of the van with the tall flange to the center of the van.
- Bolt through the holes in the rail shown below using M8 x 45mm bolts with lock washer and flat washers.
- The rail should be offset to the rear of the van as shown.
- Be sure to put the T-249-01 and rubber pad as shown to comply with the Ford bulletin "Q249". The rubber pad goes against the roof.
- Repeat on driver side.
- Snug tighten, allow movement.



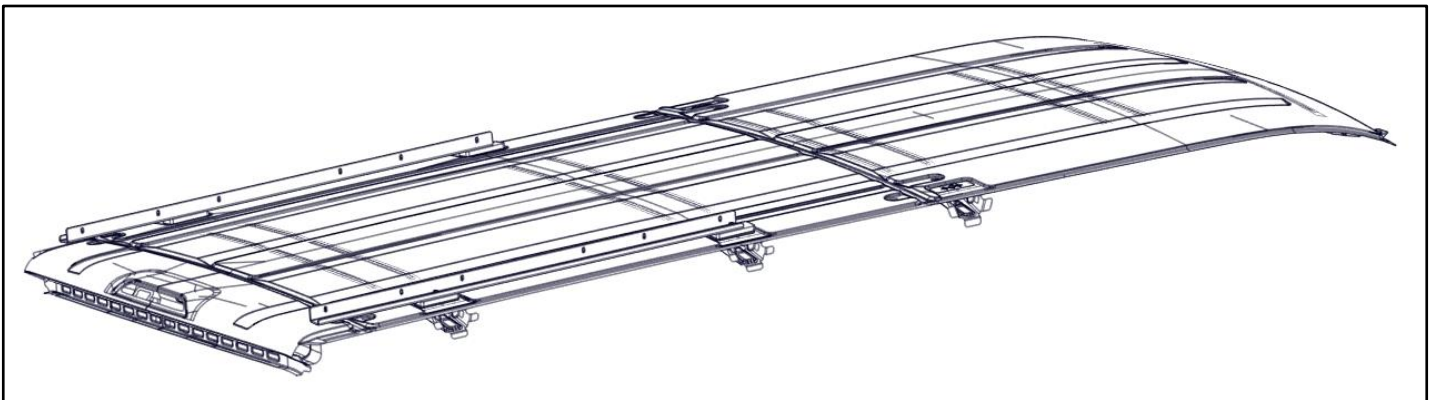
Be sure to place sealant in and around threaded emboss in roof to ensure no water gets into cabin of van



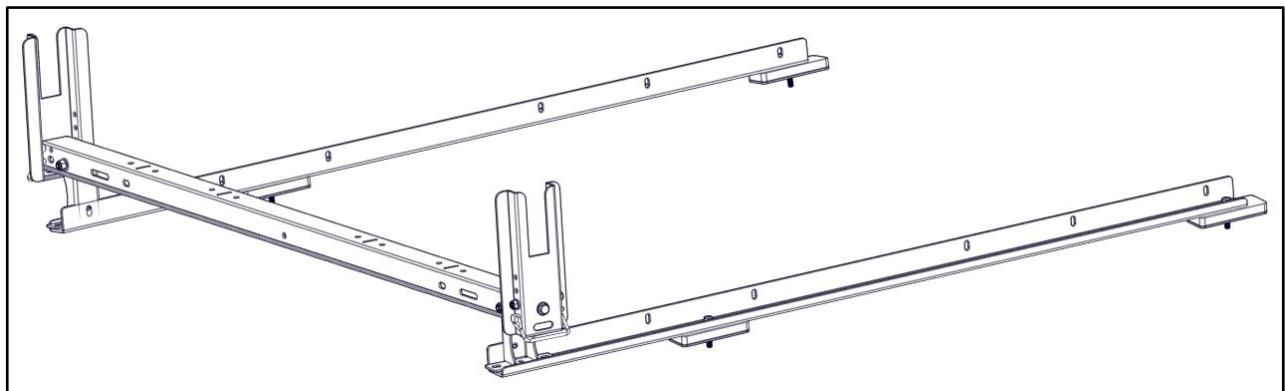
130 WB



140 WB



Use instructions included in the ladder rack to complete installation. Once ladder rack is installed on roof, be sure to TIGHTEN the hardware installed in these instructions.



Shown Above, 4A821 installed on 4A82T