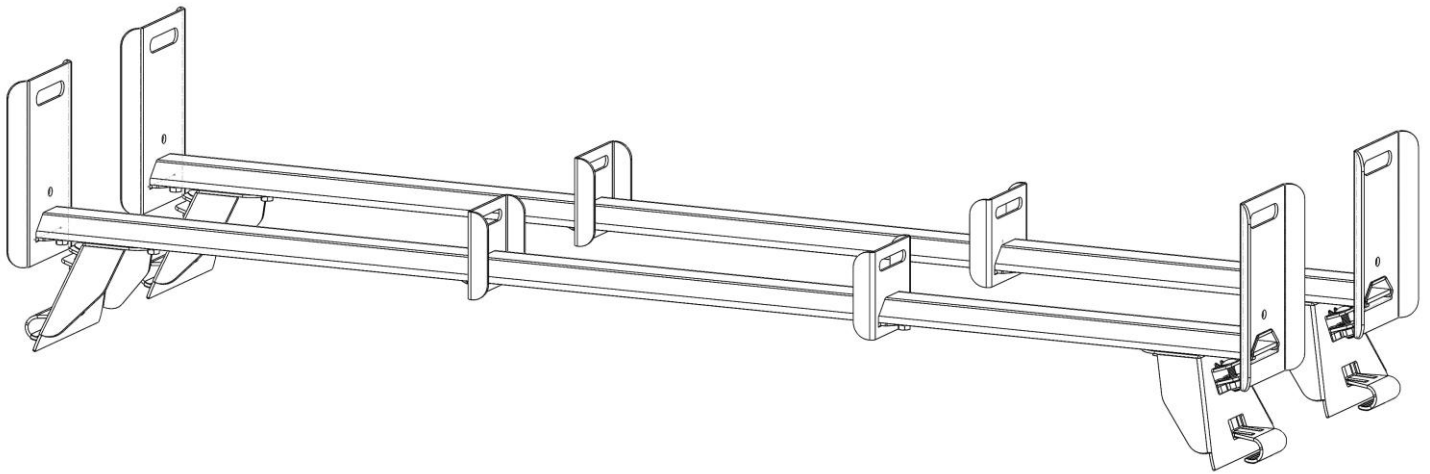


KARGO MASTER®

WE PUT EVERYTHING WITHIN REACH.

Instruction Guide

4A823



PLEASE READ ALL INSTRUCTIONS AND WARNINGS PRIOR TO ASSEMBLING, INSTALLING, AND USING THIS PRODUCT.

Warning



ALWAYS SECURE ALL PAYLOADS AND LADDERS PRIOR TO TRANSPORT OR MOVING VEHICLE.

Tools Needed

1/2" Socket and Wrench	1/2" Box Wrench
------------------------	-----------------

Table of Contents

Parts 2

Hardware 3

Step 1 – Attach Load Plates 4

Step 2 – Assemble Foot Assemblies..... 5

Step 3 – Attach Mounting Brackets 6

Step 4 – Attach End Stops 7


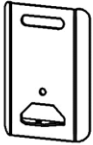


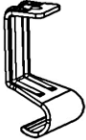
Step 5 – Install Rack to Vehicle 8

Step 6 – Adjust Load Stop to Fit Ladder 9

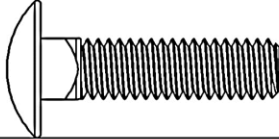
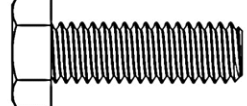
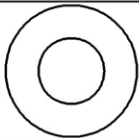

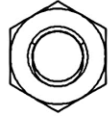
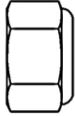
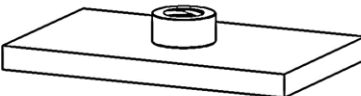

Before You Begin

- Read all instructions prior to assembling or installing any Kargo Master product.
- **Always locate your installation locations prior to performing any work.**
- **ENSURE SAFETY WHILE INSTALLING ONTO VEHICLE.**

Parts

NO.	ITEM	PART NUMBER	DESCRIPTION	QTY.
1		4A820-001	CROSSBAR	2
2		4A820-002	End Stop	4
3		4A820-003	LOAD PLATE-TIE DOWN	4
4		40849C-001	GM GUTTER FOOT	4
5		11-02085	GM GUTTER CLAMP	4
6		18-4A823	HARDWARE KIT	1

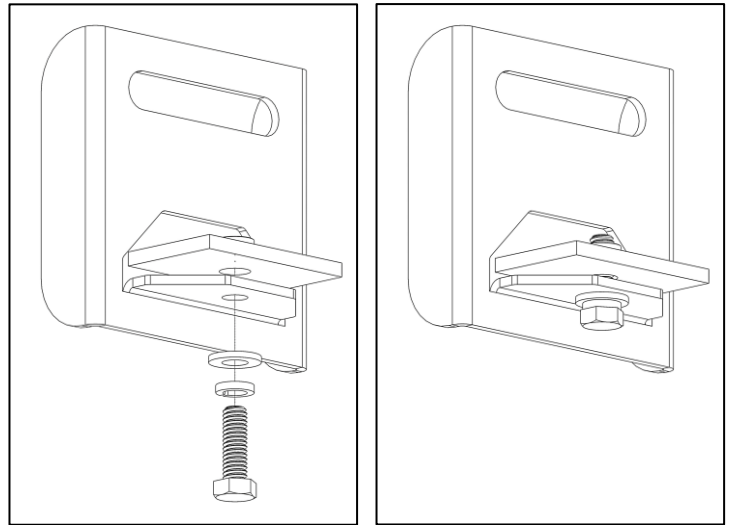
Hardware

ITEM	HARDWARE TO SCALE	PART NUMBER	DESCRIPTION	QTY.
1			5/16"-18 x 1-1/4" CARRIAGE BOLT	4
2			5/16-18 x 1" Hex Head	16
3			5/16" FLAT WASHER	20
4			5/16 Lock Washer	16
5	 		5/16"-18 LOCK NUT	4
6			Slider Plate	8
7			Mounting Plate	4

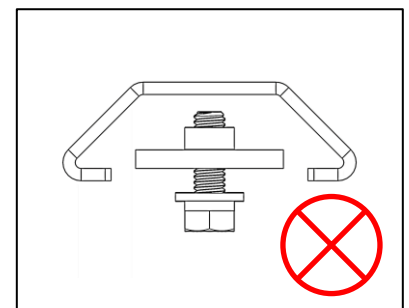
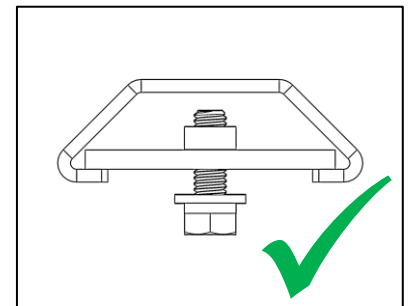
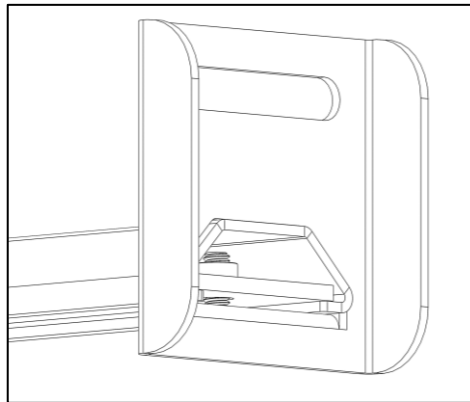
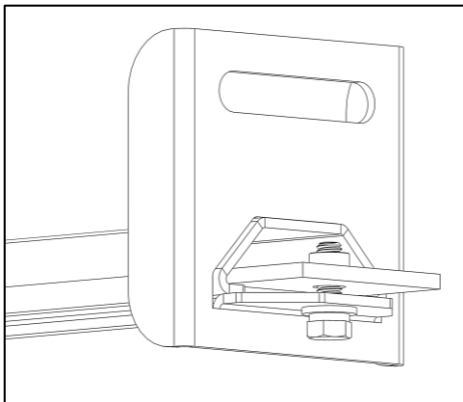
DO NOT EXCEED MANUFACTURERS WEIGHT CAPACITY FOR ROOF.

Step 1 – Attach Load Plates

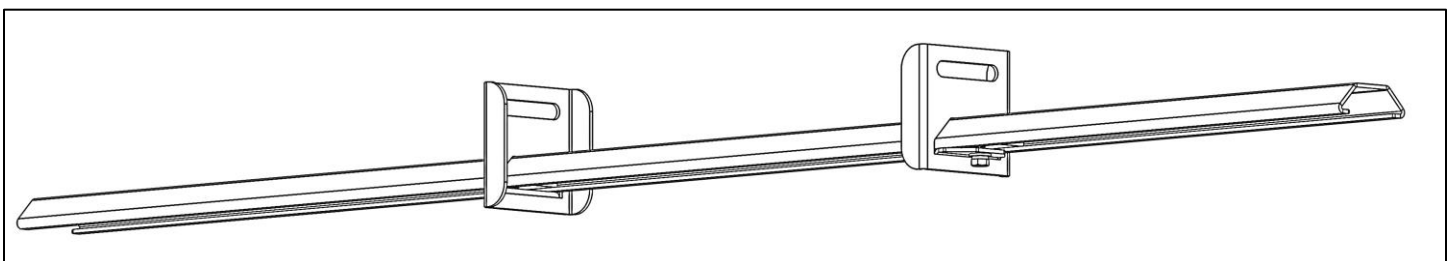
- Using a 5/16"-18 x 1" hex head bolt, 5/16" lock washer, and 5/16" flat washer, loosely bolt a slider plate to a load plate. The press nut on the slider plate face up. **DO NOT TIGHTEN.**
- Repeat for a remaining load plates.



- Slide an assembled load plate onto the middle of the crossbar with the load plate angled flanges facing outward. The slider plate should fit into the extrusion so the slider plate cannot rotate out of the extrusion.
- Slide second load plate onto the middle of the crossbar with the load plate angled flanges facing inward.
- Snugly tighten but allow movement.

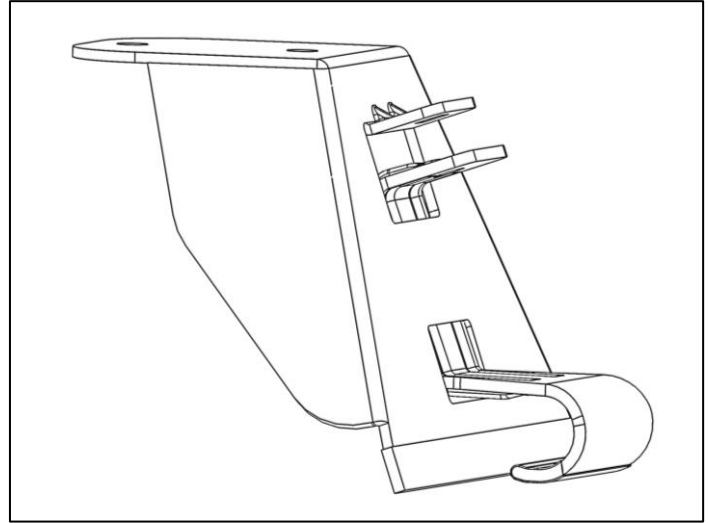
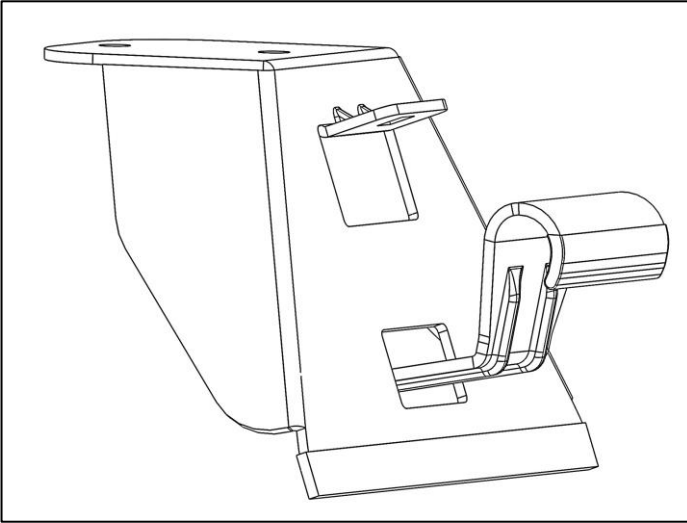


- Repeat for second crossbar and third and fourth load plates.

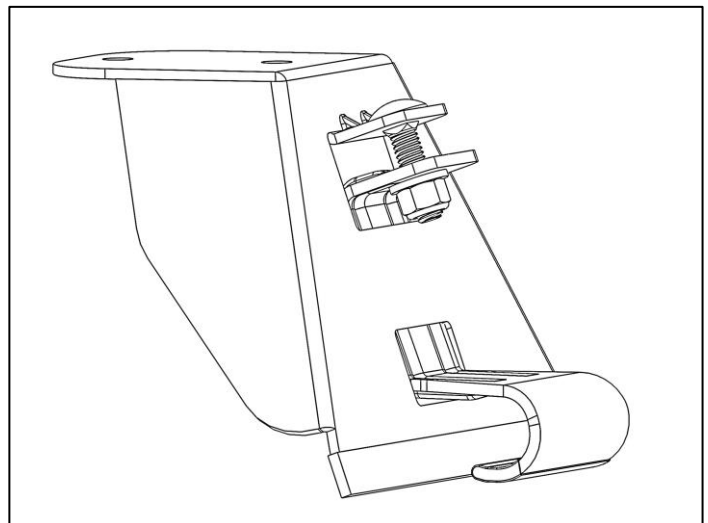
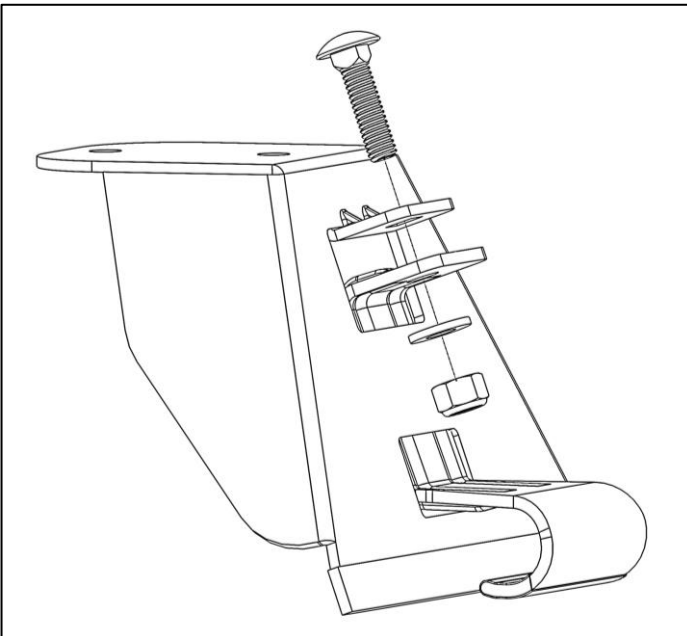


Step 2 – Assemble Foot Assemblies

- Insert gutter clamp through the gutter foot rectangular slots as shown.



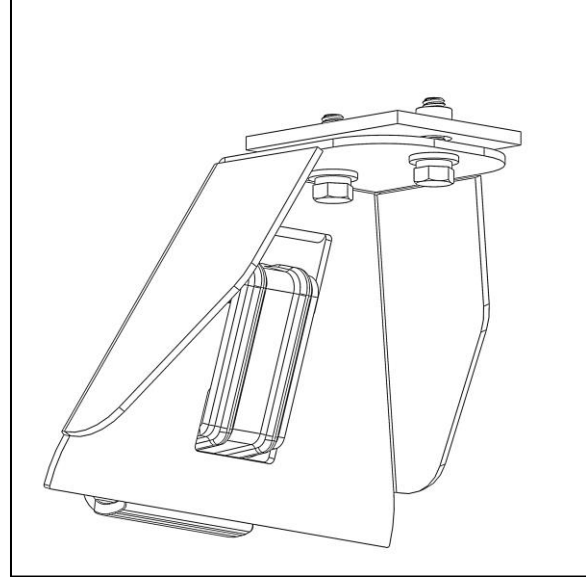
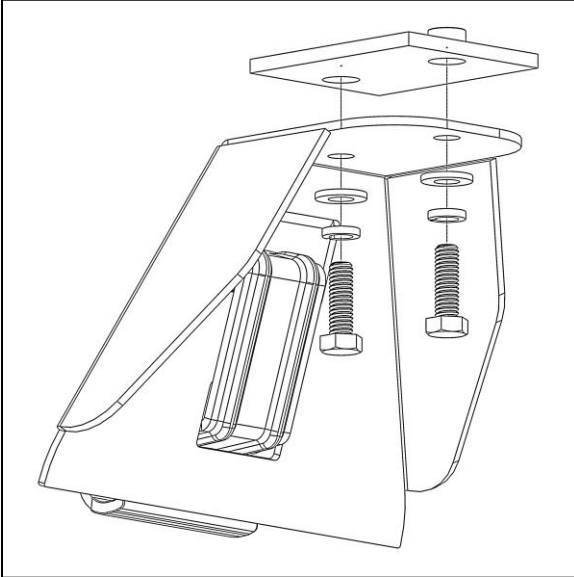
- LOOSELY bolt the gutter clamp to the gutter foot using a 5/16" x 1-1/4" carriage bolt, 5/16" flat washer, and 5/16" lock nut. DO NOT tighten.



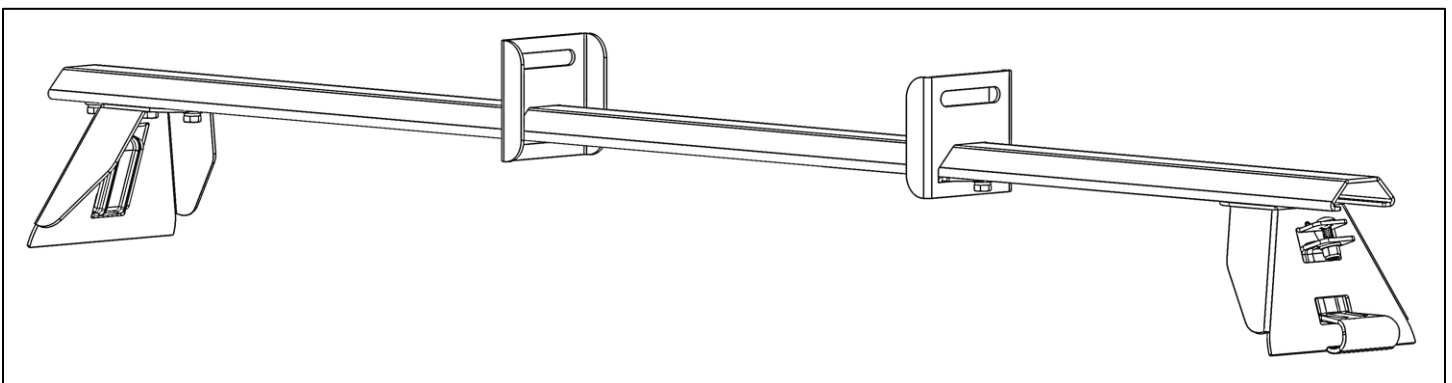
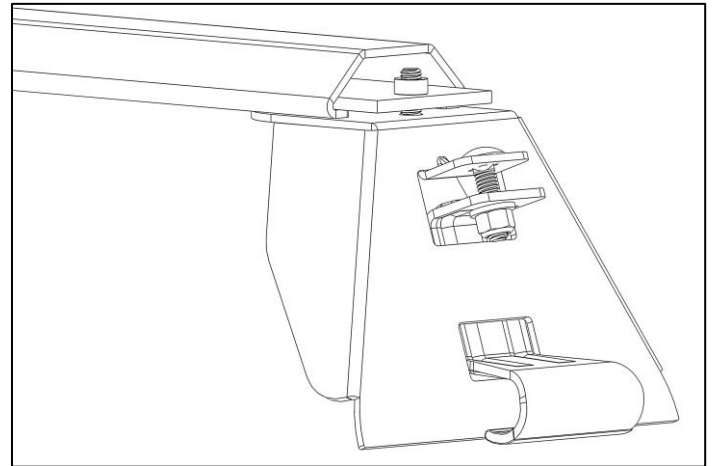
- Repeat for remaining gutter clamps and gutter feet.

Step 3 – Attach Mounting Brackets

- Using a 5/16" -18 x 1" hex head bolt, 5/16" lock washer, and 5/16" flat washer, loosely bolt a mounting plate to a foot assembly. The press nuts on the mounting plate face up. **DO NOT TIGHTEN.**
- Repeat for remaining mounting plates and foot assemblies.

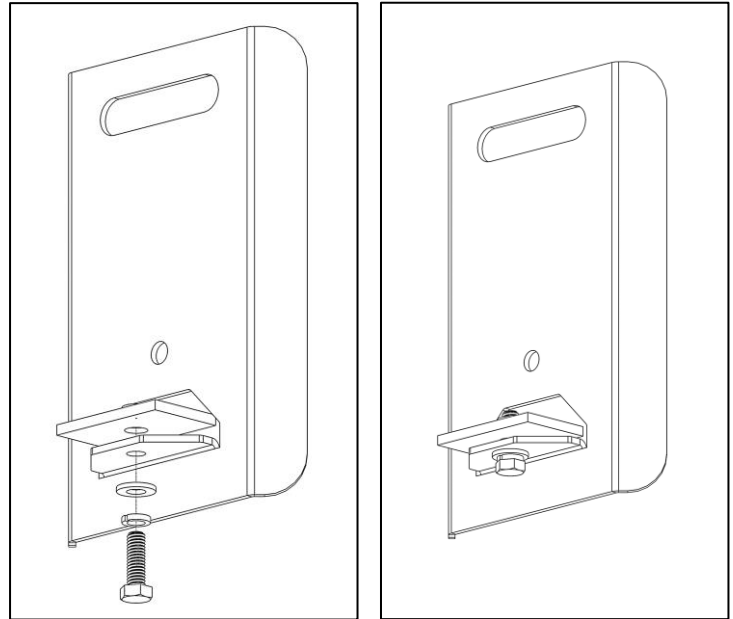


- Slide an assembled foot assembly onto a crossbar with the slanted face facing outward.
- Loosely tighten allowing for movement.
- Repeat for opposite side of cross bar.
- Repeat for second crossbar and remaining foot assemblies.

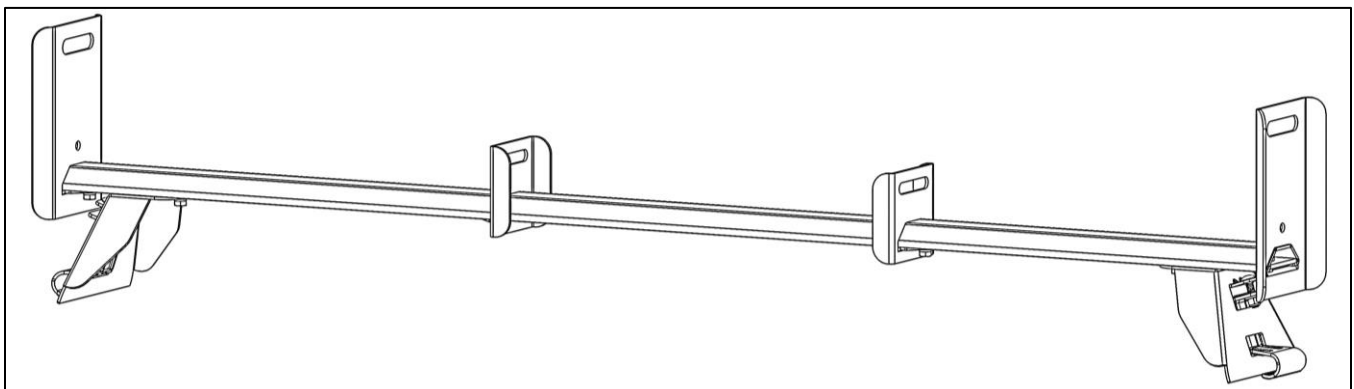
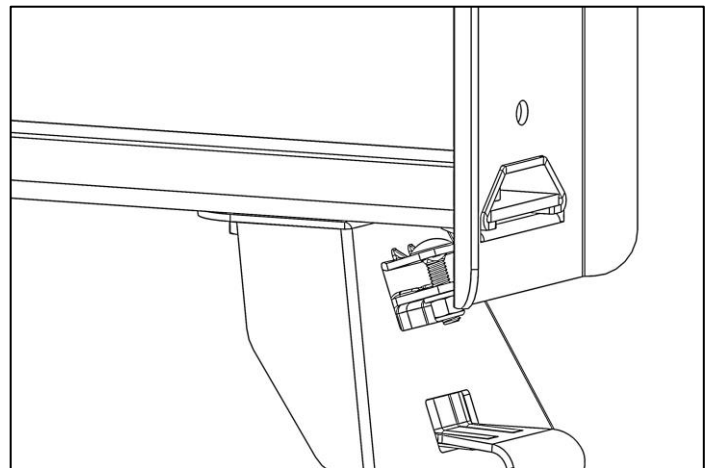
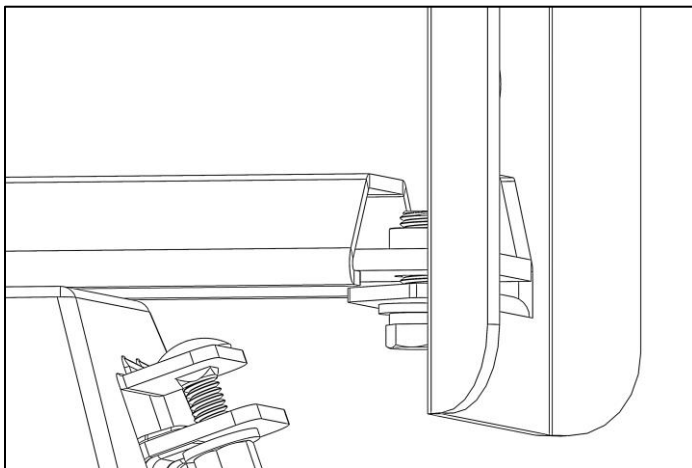


Step 4 – Attach End Stops

- Using a 5/16"-18 x 1" hex head bolt, 5/16" lock washer, and 5/16" flat washer, loosely bolt a slider plate to an end stop. The press nuts on the slider plate face up. **DO NOT TIGHTEN.**
- Repeat for remaining end stops.

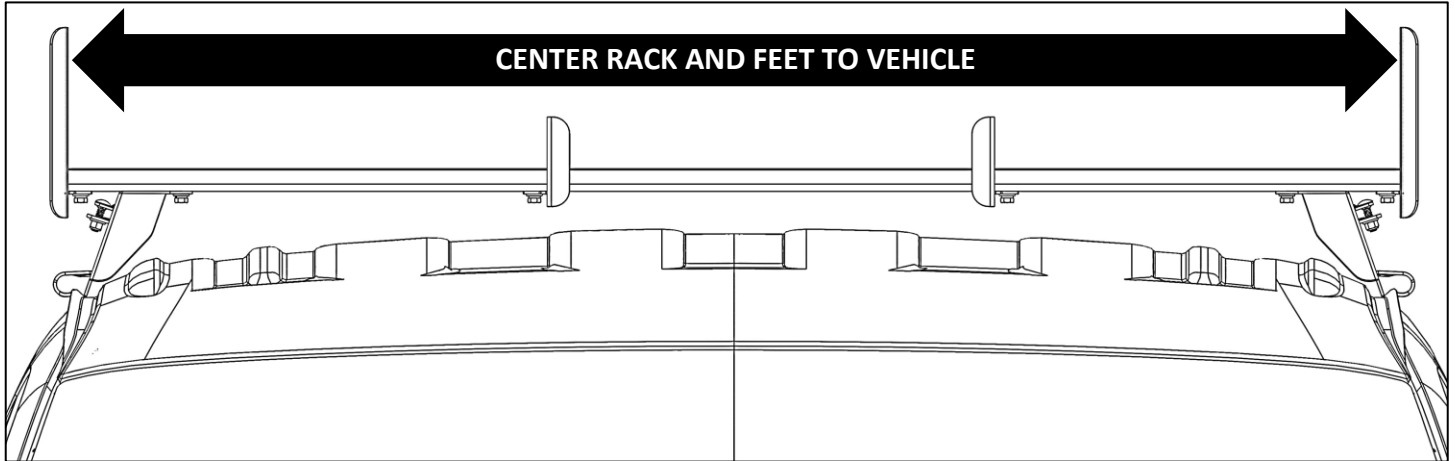


- Slide an assembled end stop onto a crossbar with the angled flanges facing outward until slider plate aligns with end of crossbar. Be sure to insert slider plate so it cannot rotate.
- **TIGHTEN** hardware securing end stop to end of crossbar.
- Repeat for opposite side of cross bar.

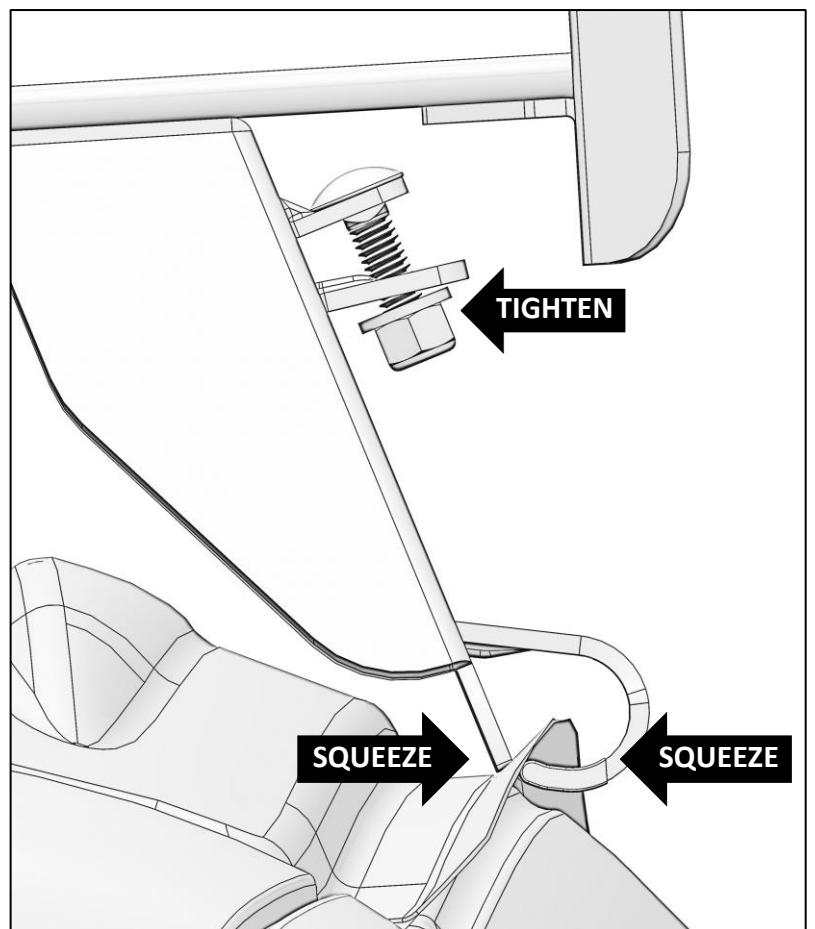


Step 5 – Install Rack to Vehicle

- Set crossbar assembly on vehicle. Be sure feet are inside rain channel on roof and clips are outside vehicles roof rain gutter.
- Center feet and rack to vehicle.

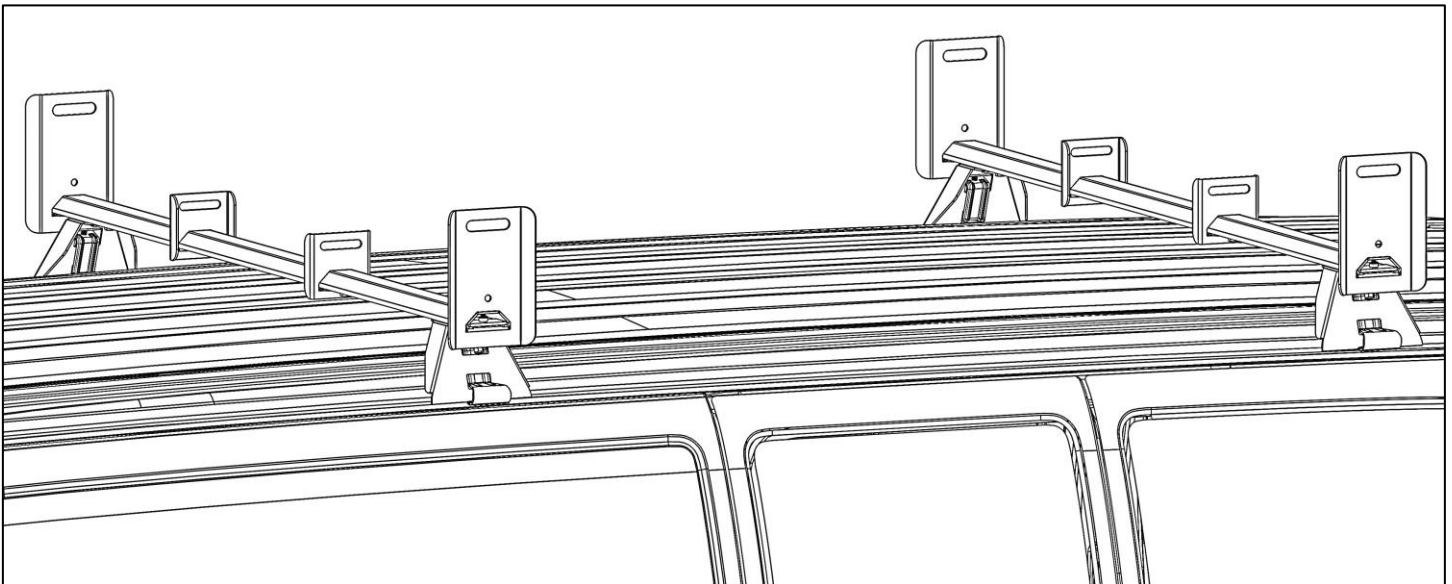
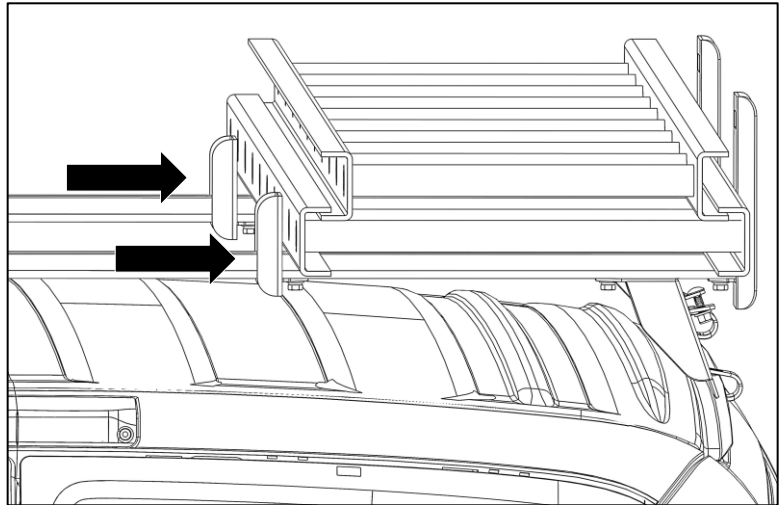


- While squeezing the clip and foot to each side of vehicles roof rain gutter, tighten 5/16" lock nut until foot is securely fastened to vehicle.
- Tighten hardware connecting foot to crossbar.
- Repeat for opposite side of vehicle.
- Repeat for second crossbar assembly.



Step 6 – Adjust Load Stop to Fit Ladder

- Place ladder to be used in position, on rack, firmly against end stop.
- Slide load stop to fit ladder. Be sure to allow gap enough for ladder to be removed easily.
- Repeat for second crossbar and opposite side as desired.



GO BACK AND TIGHTEN ALL HARDWARE.

INSTALLATION AND ASSEMBLY ARE COMPLETE.