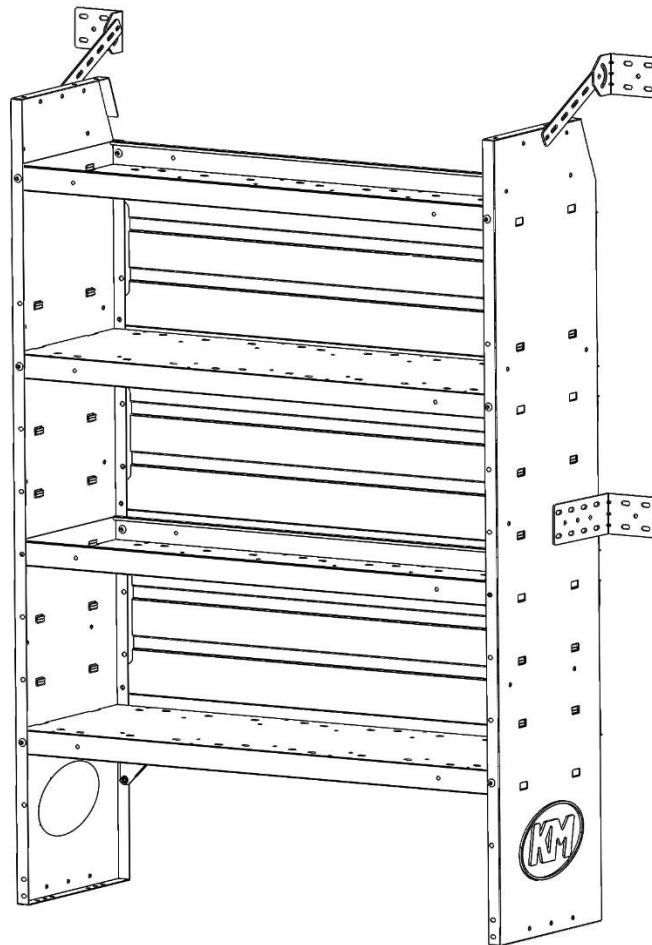

KARGO MASTER®

WE PUT EVERYTHING WITHIN REACH.

Installation Instructions

48324-48424-48524



***PLEASE READ ALL INSTRUCTIONS AND WARNINGS PRIOR TO ASSEMBLING,
INSTALLING, AND USING THIS PRODUCT***

Warning



Always check for wires, fuel tanks and lines, brake lines and other important vehicle functionality items prior to drilling and installing all products.

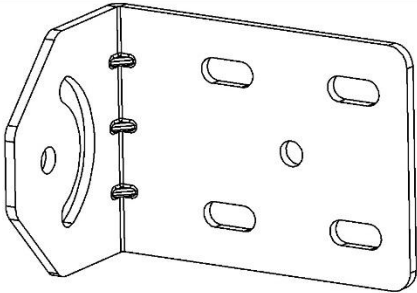
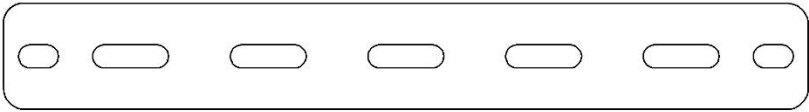
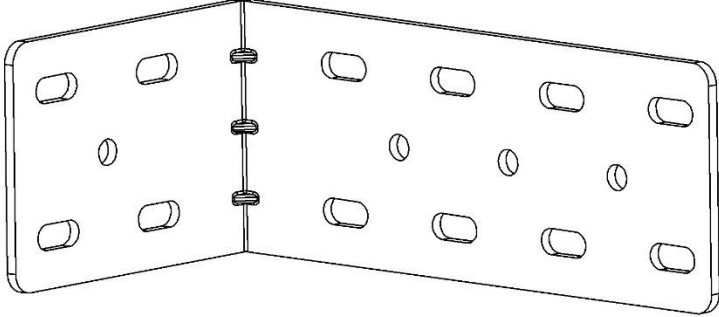
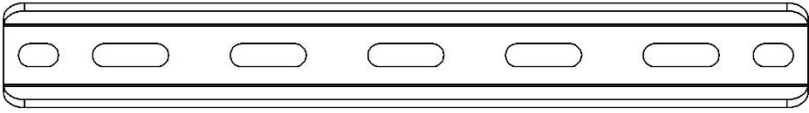
Tools Needed

Phillips Driver	Drill
25/64" Drill bit	7/16" Wrench and Socket

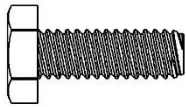
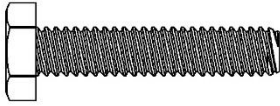

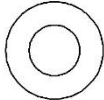

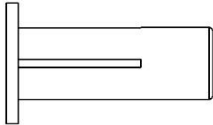

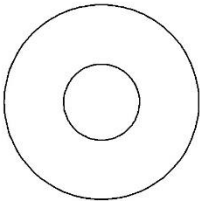
Before You Begin

- Read all instructions prior to installing.
- Ensure it is safe to drill before drilling anywhere on vehicle.
- Instructions shown using a 60" x 42" Shelf. Instructions are the same for both 32" and 52".
- When installing, LIFT, DO NOT DRAG shelf to position.

Parts

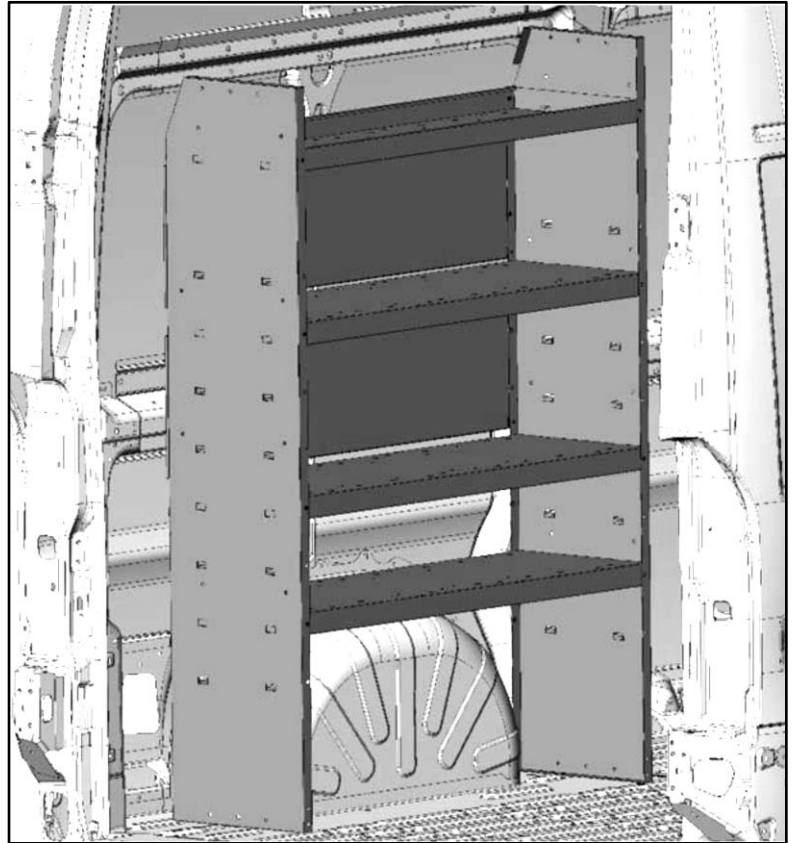
ITEM NO.		PART NUMBER	DESCRIPTION	QTY.
A		4861-10-001	Knock Down Upper Mount	2
B		4861-10-002	Knock Down Connecting Strap	1
C		4861-10-003	Knock Down Mid Mount	2
D		4861-10-004	Knock Down Connecting Strap	1
		18-4863-R5	HARDWARE	1

Shelf Assembly

ITEM NO.	TO SCALE	PART NUMBER	DESCRIPTION	QTY.
1		.25-20 X .75 Hex Bolt	1/4-20x3/4 Hex Bolt	16
2		.25-20 x 1.25 Hex Bolt	1/4-20x1 1/4Hex Bolt	4
3		.250 Lock Washer	1/4 Lock Washer	12
4		.25 Flat Washer	1/4 Flat Washer	28
5		.25-20 Nylock Nut	1/4-20 Nylock Nut	8
6		.25-20 Plus Nut		12
7		95105A143	1/4"-20 Rivet Nut	12
8		.375 x 1.00D x .39ID Nylon Spacer	Material: Nylon	4

Step 1 – Insert Shelf into Van

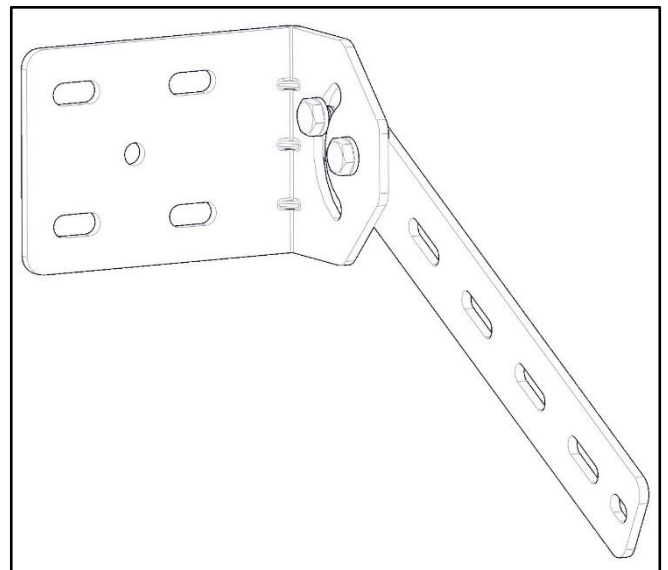
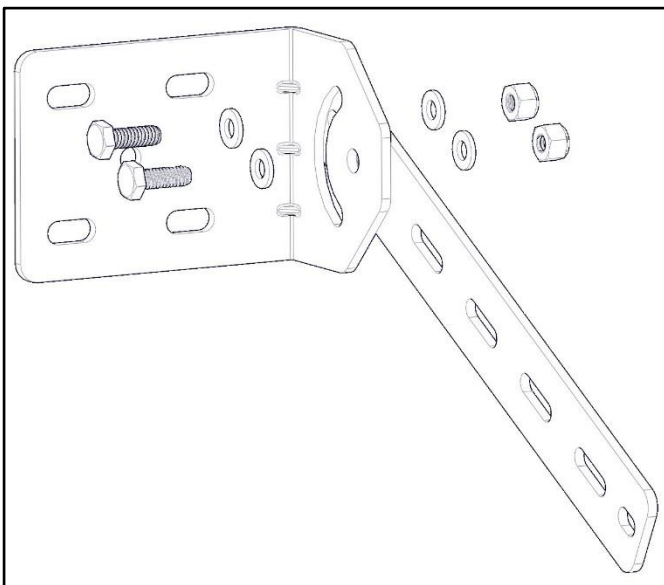
- Set shelf in vehicle in desired location. If using factory threaded bosses be sure to line mounting brackets up first. Floor spacers are provided if desired location does not have a solid platform.



Step 2 – Assemble Top Mount

If installing between two shelves, use the flat strap, if installing on the open end of a shelf, use the reinforced strap.

- Secure upper mount bracket and strap together using two .25" x .75" hex head bolt, four flat washers, and two nyloc nuts.
- Snug Tighten, but allow movement.
- Pictures are shown using the flat strap.

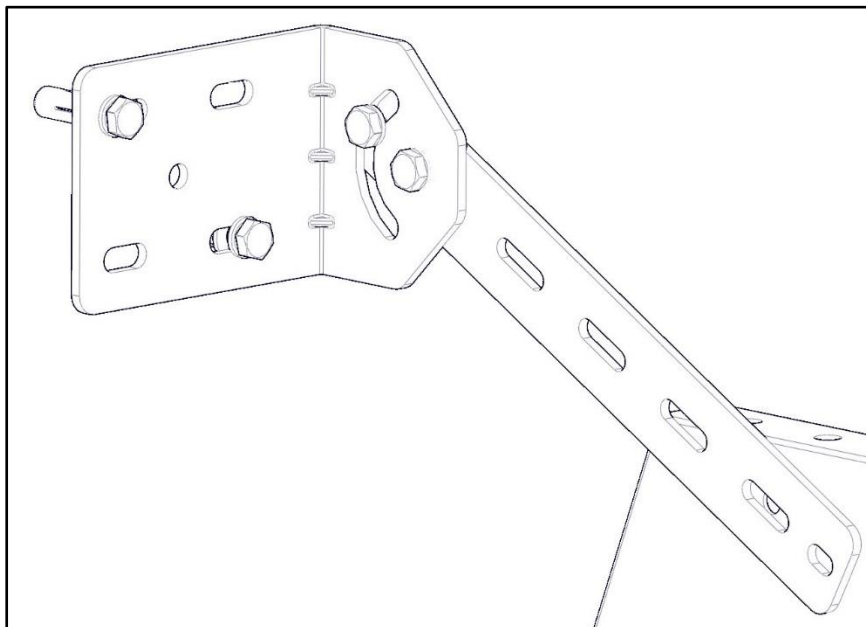
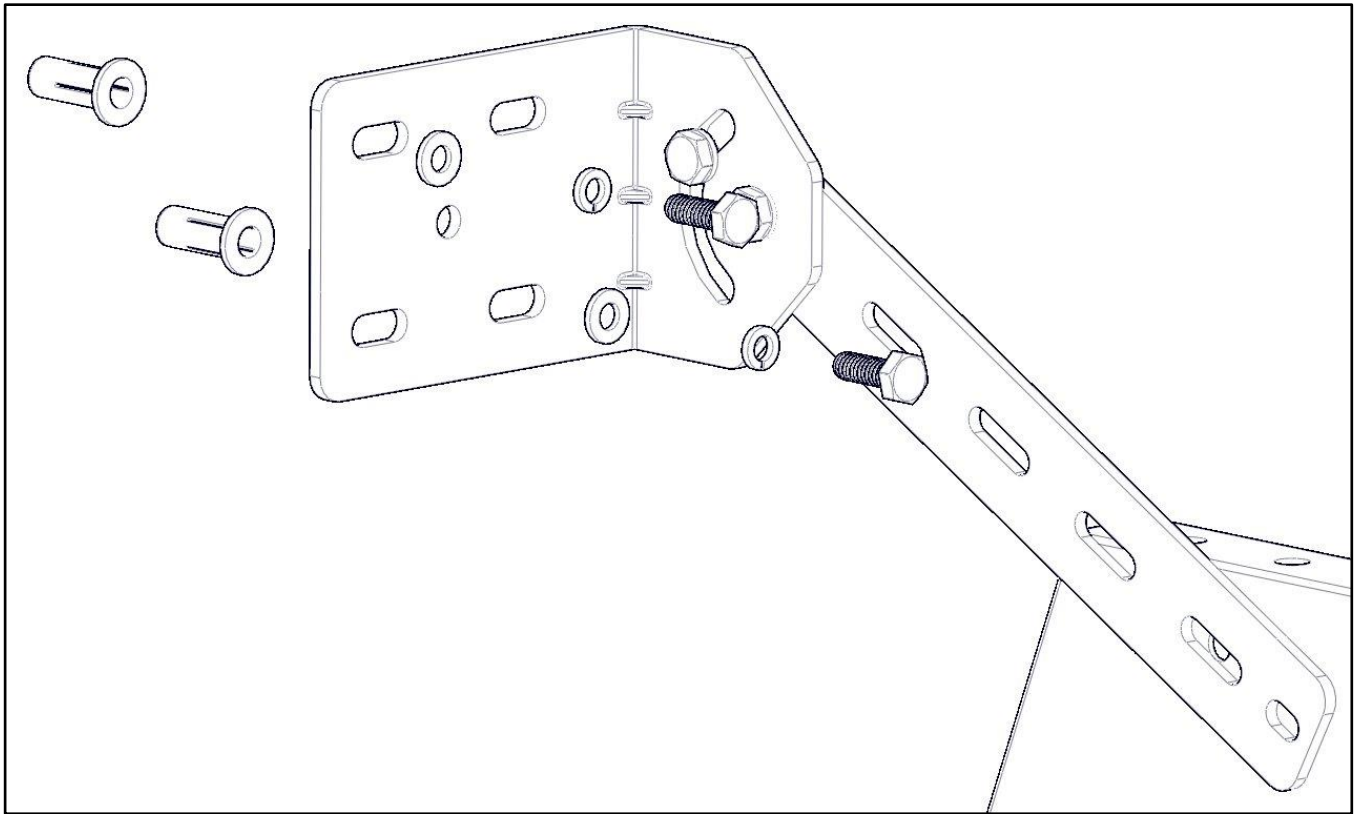


Step 3 – Install Top Mount

- Place upper mount bracket firm against a structural member of van. Mark and drill 25/64" hole for installing plus-nuts.
- The locations of these holes will vary based on your vans application. We recommend installing at least 2 plus nuts per upper mounting bracket.

Be sure to use a drill stop as to not damage the exterior of the vehicle

- Use .25" x .75" hex head bolt, lock washer, and flat washer to secure into plusnut.
- Do not attach to shelf at this point.

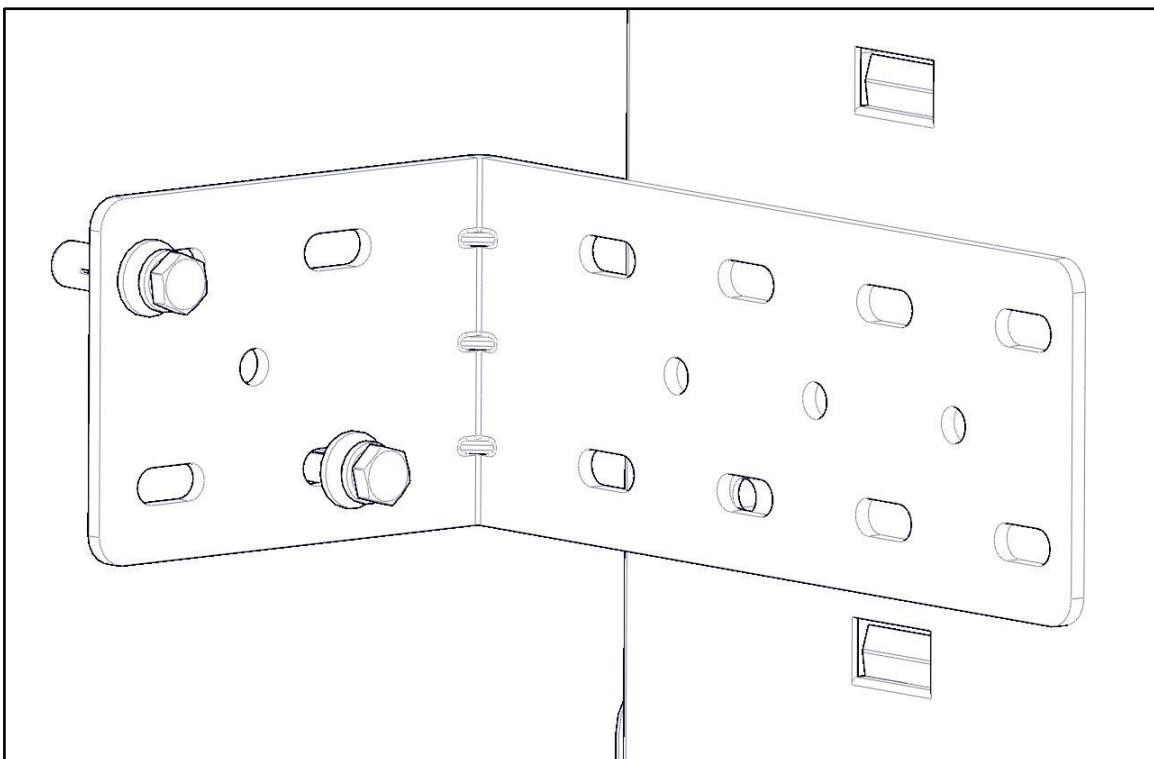
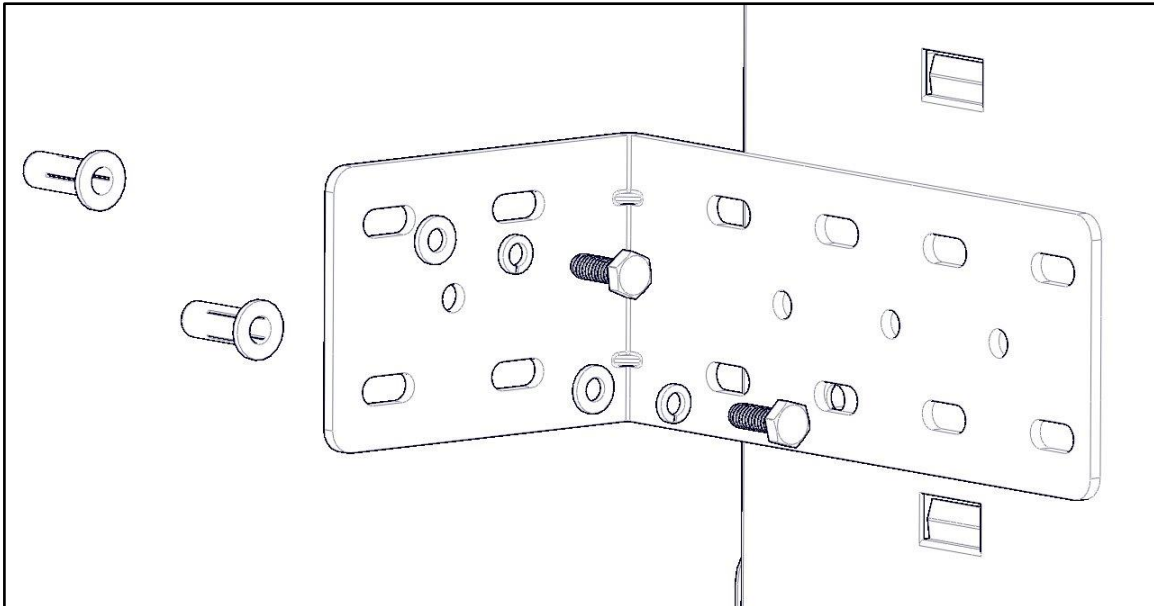


Step 4 – Install Mid Mount

- Locate a solid place on van interior to mount midway down of shelf side.
- Place mid mount bracket firmly against shelf side, trying to pick up an existing hole, and position tightly against van wall.
- Mark positions on van wall. Choose 2-3 locations and drill using a 25/64 bit.
- The locations of these holes will vary based on your vans application. We recommend installing at least 2 plus nuts.

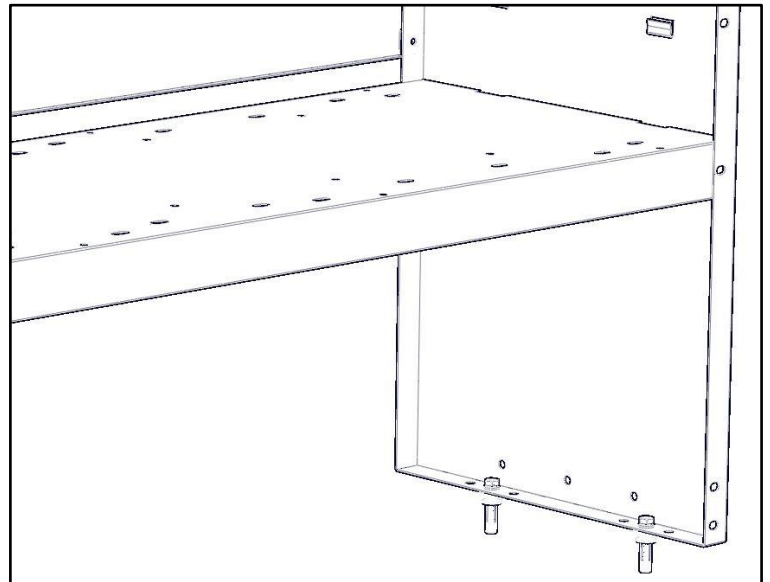
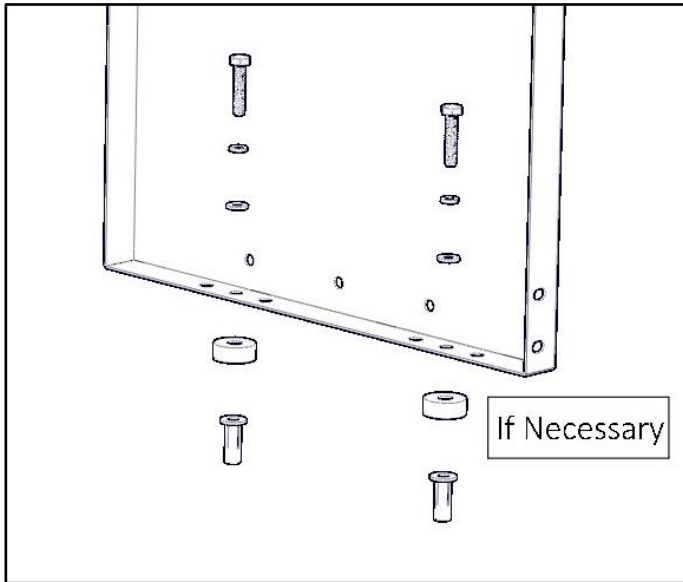
Be sure to use a drill stop as to not damage the exterior of the vehicle

- Use .25" x .75" hex head bolt, lock washer, and flat washer to secure into plusnut.
- We recommend attaching bracket on both sides of shelf.



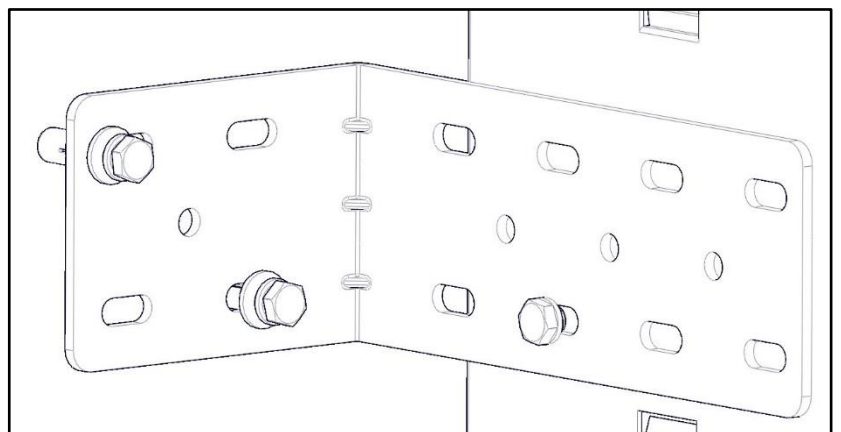
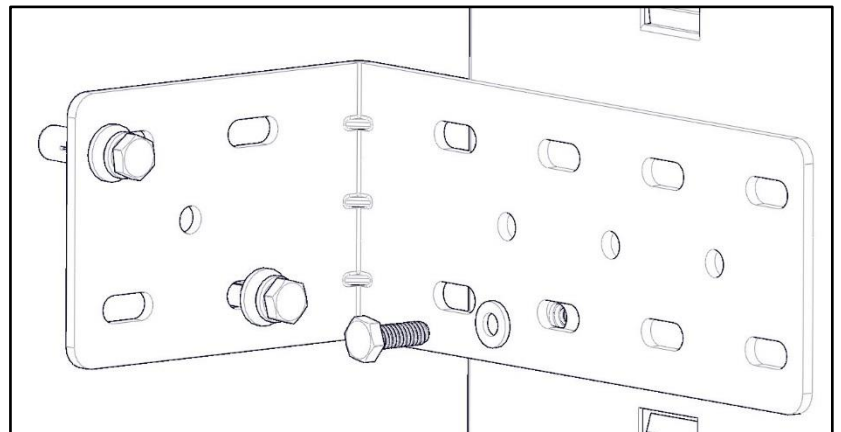
Step 5 – Mount to Floor

- Mark on floor where the bottom of the shelf can best be mounted. Repeat front and rear.
- Remove shelf and drill 25/64" hole, install plusnuts.
- Place shelf over previously installed plus nuts, and bolt into floor using a .25" x 1.25" hex head bolt, a .25" lock washer and a .25" flat washer. If needed put .375 spacer between shelf and floor of van.
- ENSURE SAFETY WHEN DRILLING



Step 6 – Mount to Shelf

- Attach brackets to shelf. Bolt both the strap and the mid mount bracket to the side of the shelf. Bolt using a .25" x .75" hex head bolt, two flat washers, and a nyloc nut.
- You may need to drill additional holes in side of shelf to accommodate all the different van applications.
- Repeat on both sides of shelf.



Mid Mount Shown

Ensure all bolts are
TIGHT.
Your installation is now
complete.