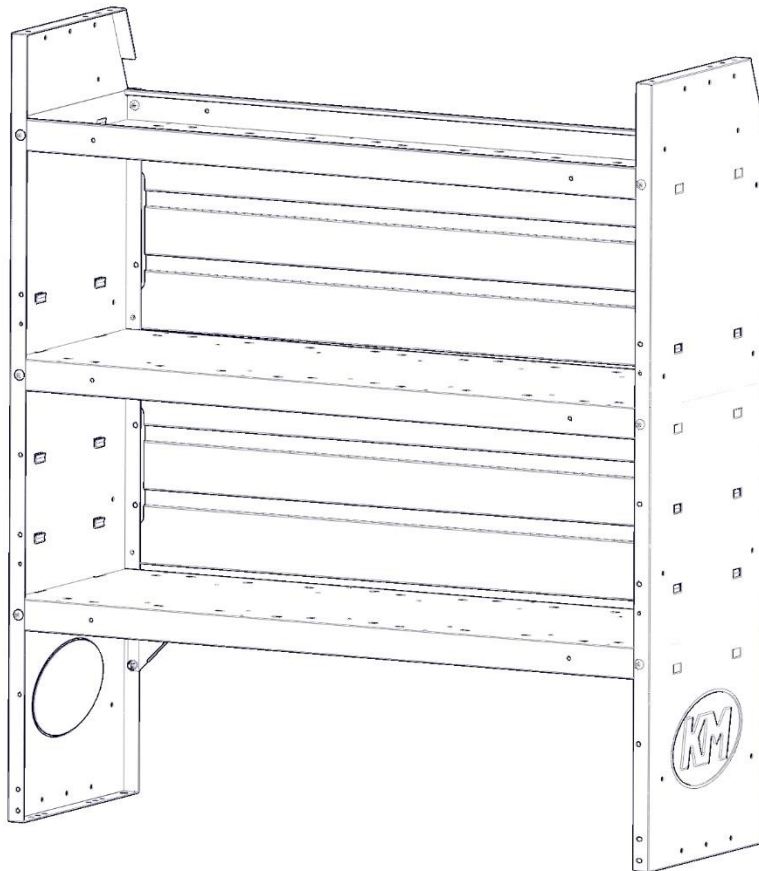

KARGO MASTER[®]

WE PUT EVERYTHING WITHIN REACH.

Installation Instructions

48320-48420-48520



***PLEASE READ ALL INSTRUCTIONS AND WARNINGS PRIOR TO ASSEMBLING,
INSTALLING, AND USING THIS PRODUCT***

Warning

Always check for wires, fuel tanks and lines, brake lines and other important vehicle functionality items prior to drilling and installing all products.

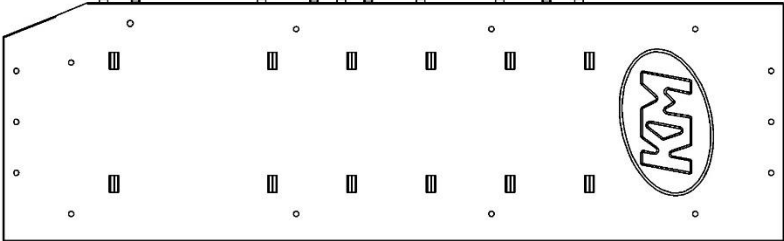
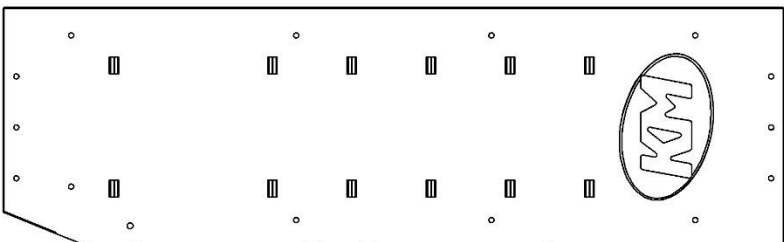
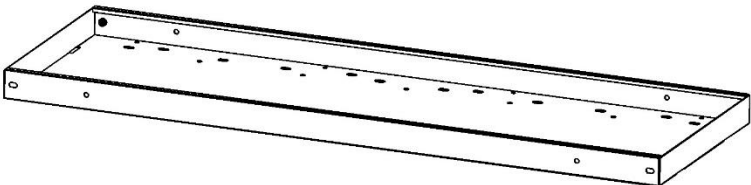
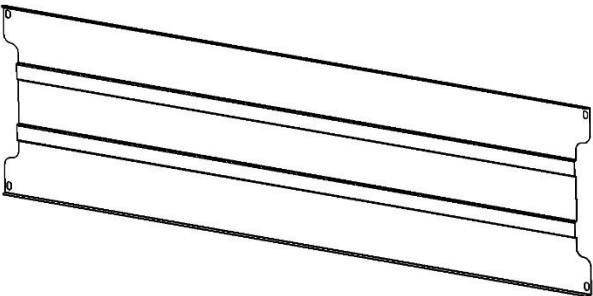
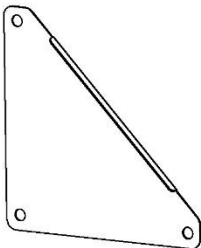
Tools Needed

Phillips Driver	Drill
25/64" Drill bit	7/16" Wrench and Socket

Before You Begin

- Read all instructions prior to installing.
- Ensure it is safe to drill before drilling anywhere on vehicle.
- Instructions shown using a 46" x 42" Shelf. Instructions are the same for both 32" and 52".
- When installing, LIFT, DO NOT DRAG shelf to position.

Shelf Parts

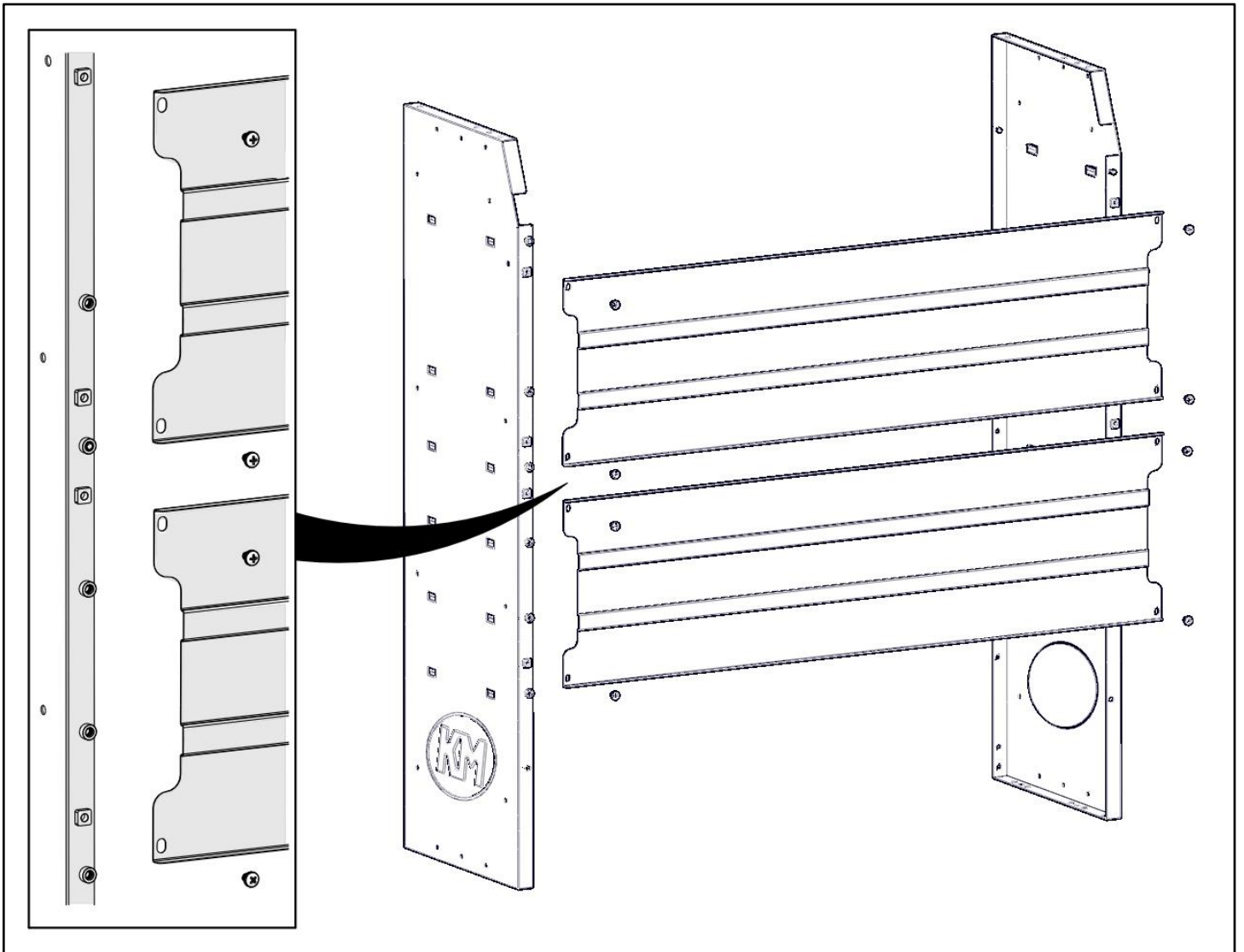
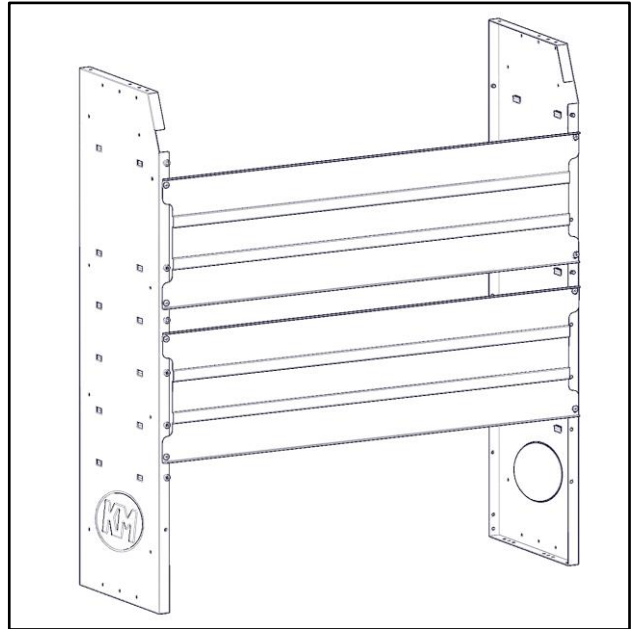
ITEM NO.		PART NUMBER	DESCRIPTION	QTY.
A		48046-10	side panel	1
B		Mirror48046-10		1
C		KD-42-821	42"W Shelf	3
D		KD-42-412	Back Panel	2
E		KD-103	Gusset	2
		ASSEMBLY HARDWARE		1
		4861-R7	INSTALL KIT	1

Shelf Hardware

SCALE	DESCRIPTION	QTY.
	.25-20 x .375 Pan Head Phillips	12
	.25-20 x .375 Pan Head with Lock washer	8
	.25-20 x .50 Pan Head Phillips	4
	.25-20 Flanged Nyloc Nut	4

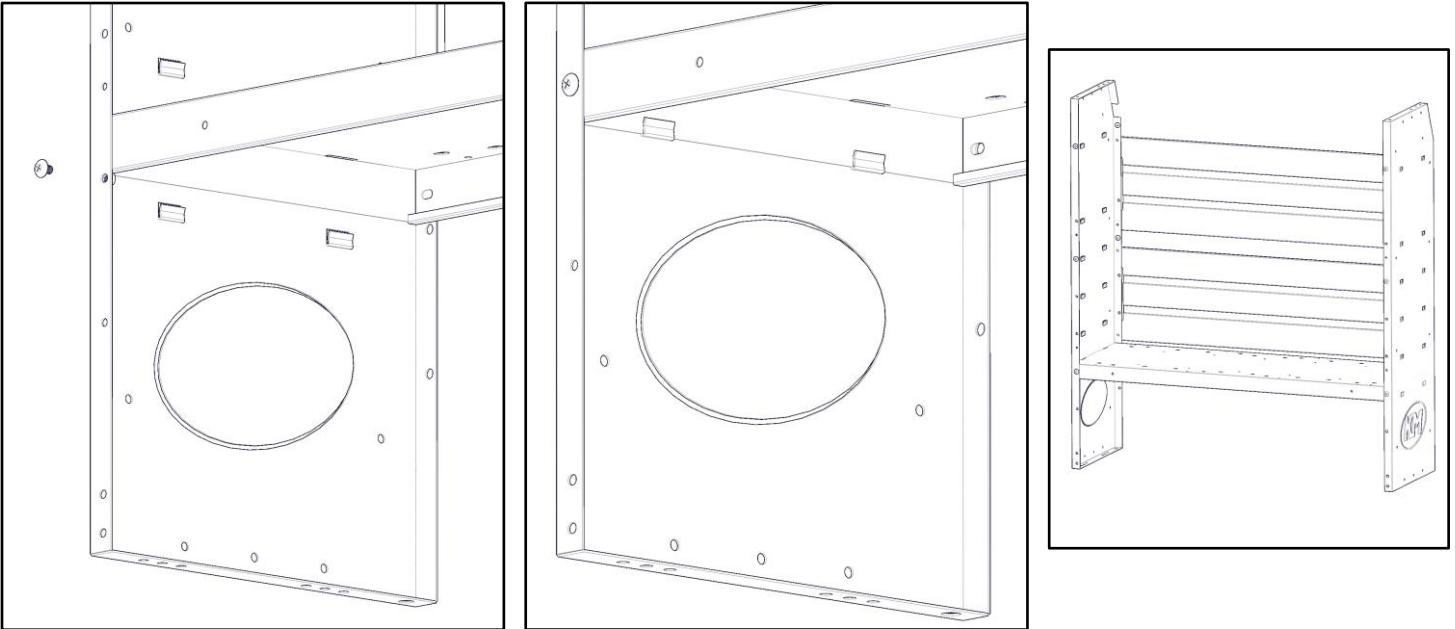
Step 1 – Attach back panel

- Attach both Back Panel to Shelf Side Panels using .25" X 375" with washer Pan Head Screws loosely as shown.
- Snug Tighten, but allow movement.9

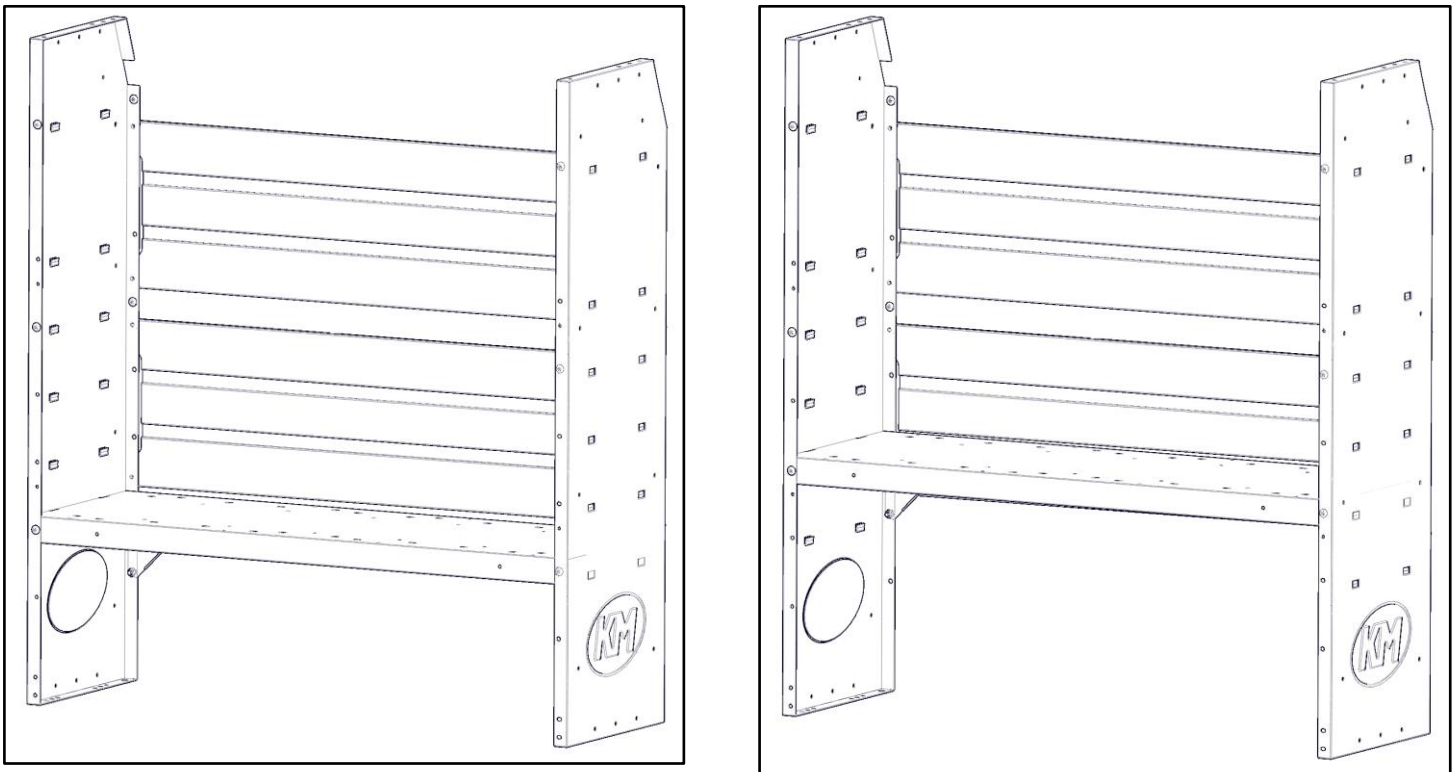


Step 2 – Place Bottom Shelf

- Shelves can be assembled with flanges pointing up to retain shelf contents, or flanges pointing down to allow the installation of drawer cabinets. Decide which option you want for each shelf before attaching it to the sides. The beveled corner of each Shelf Side is in the back. Each Shelf, front side only has nuts pressed into the Shelf flange. Make sure the shelf is oriented properly (nuts in front) before attaching. Press the shelf down firmly so that it is resting solidly and level on the lances in the shelf sides. Attach ONLY the front of the shelf to each side using two .25"x.375" Button Head Screws.

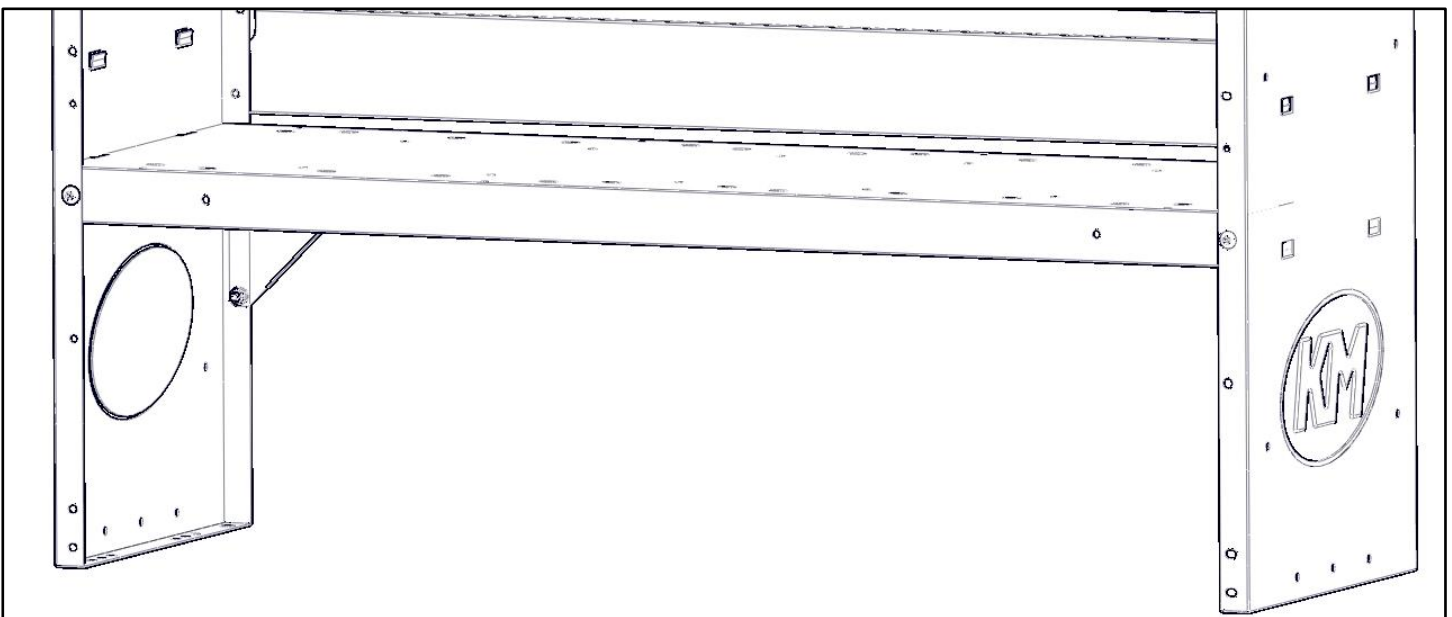
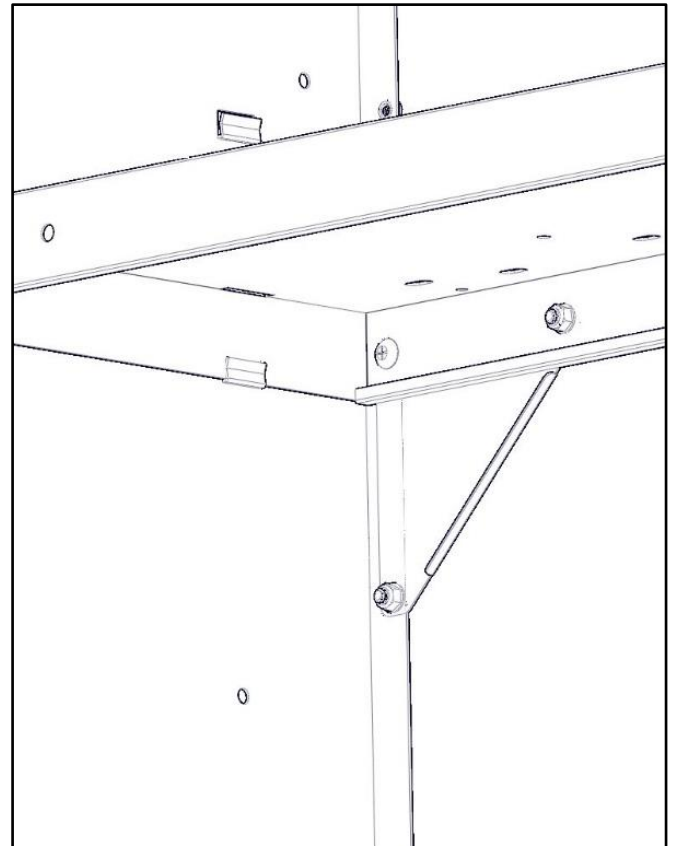
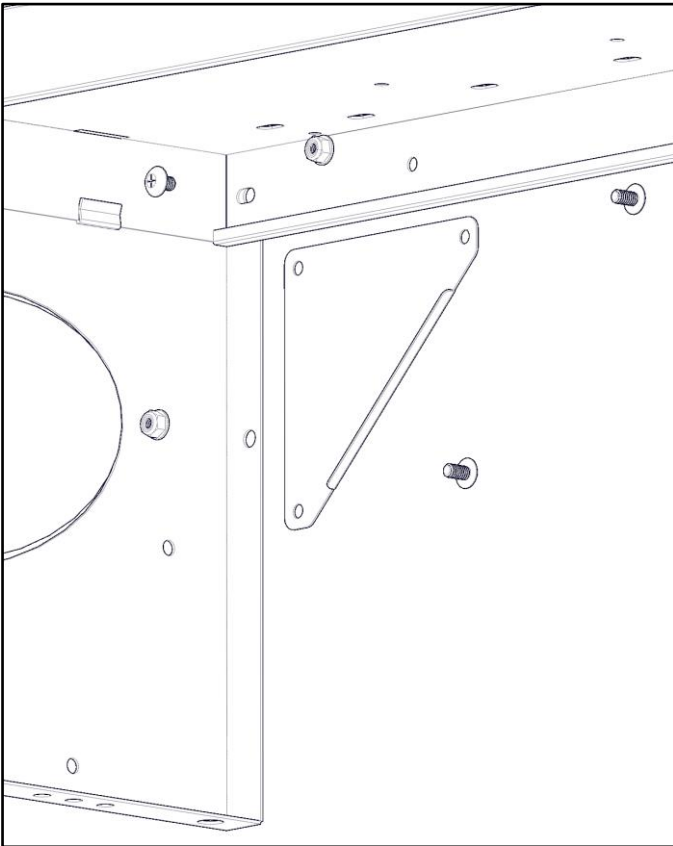


- On the left is most applications, On the right shows the bottom shelf for a Ram Promaster.



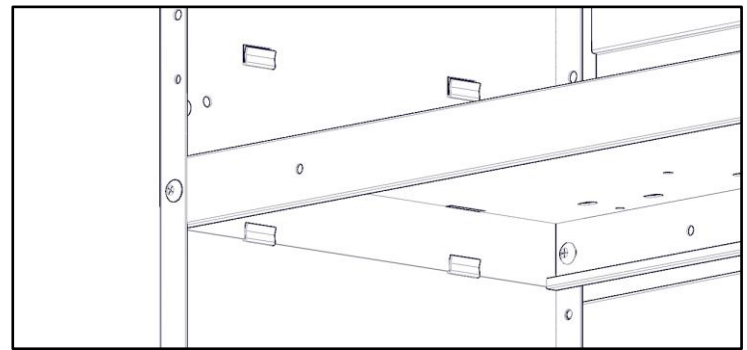
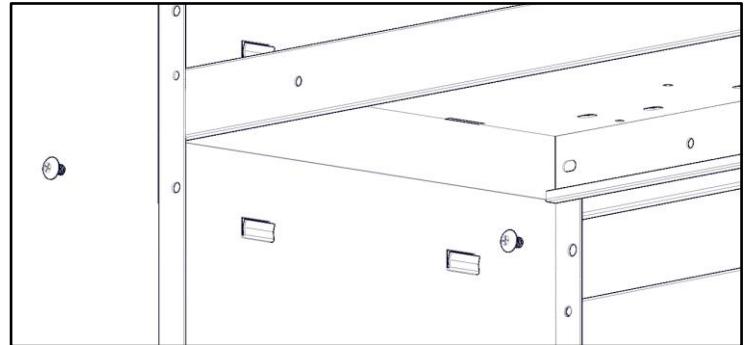
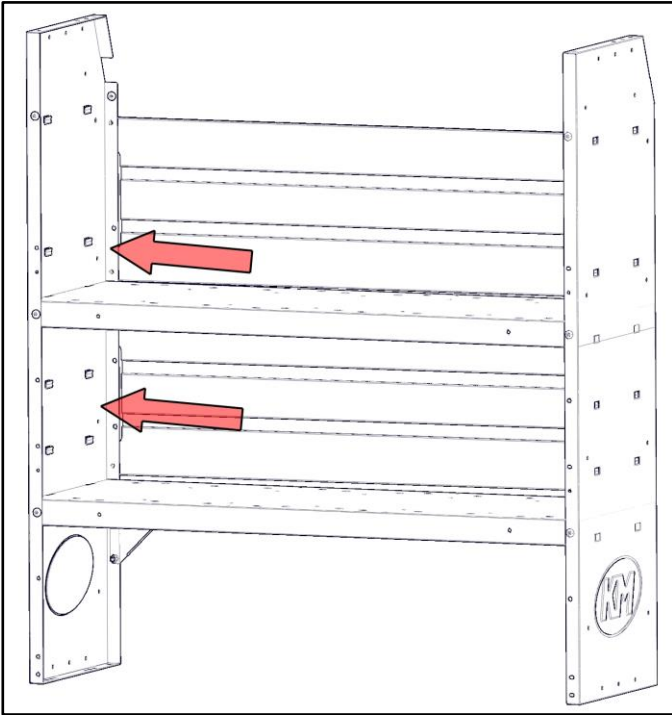
Step 2A – Install Gusset

- In the corner of the bottom shelf, install support gusset.
- Be sure to have the flange on the gusset towards the inside of the shelf.
- Slide gusset between shelf side and the actual shelf installed in previous step.
- In the corner of the gusset, bolt into plus nut using a .25" x .375" pan head.
- At the ends of the gusset, bolt through the gusset, the shelf and the shelf side using .25" x .50" pan head and a .25 flanged nyloc nut.
- Repeat on other side.



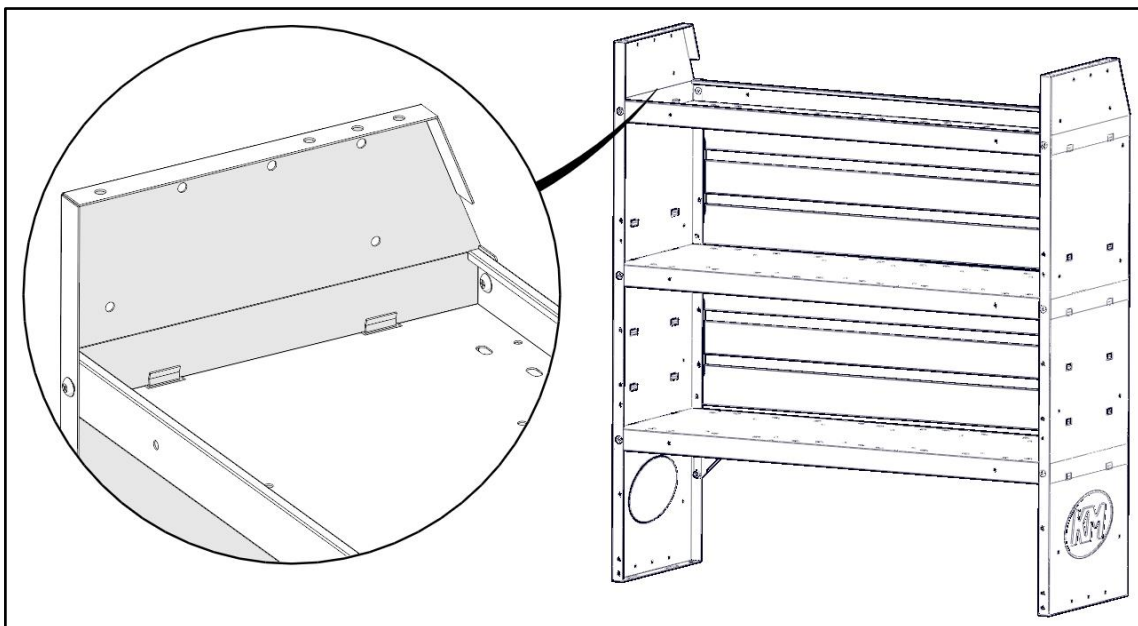
Step 3 – Install Middle Shelf

- Repeat Step 2 for middle shelf as shown.
- NO GUSSET WILL BE INSTALLED ON OTHER SHELVES
- **NOTE:** There are multiple mounting locations for the middle shelf, and optional 4th shelf can be purchased.



Step 4 – Install Top Shelf

- Repeat Step 2 for top shelf as shown. This shelf is shown with the flanges up, since this is the most common configuration for this shelf. Be sure that the clips in the side panels go into the slot on the shelf.



GO BACK AND ENSURE ALL HARDWARE IS TIGHT, YOUR INSTALLATION IS NOW COMPLETE