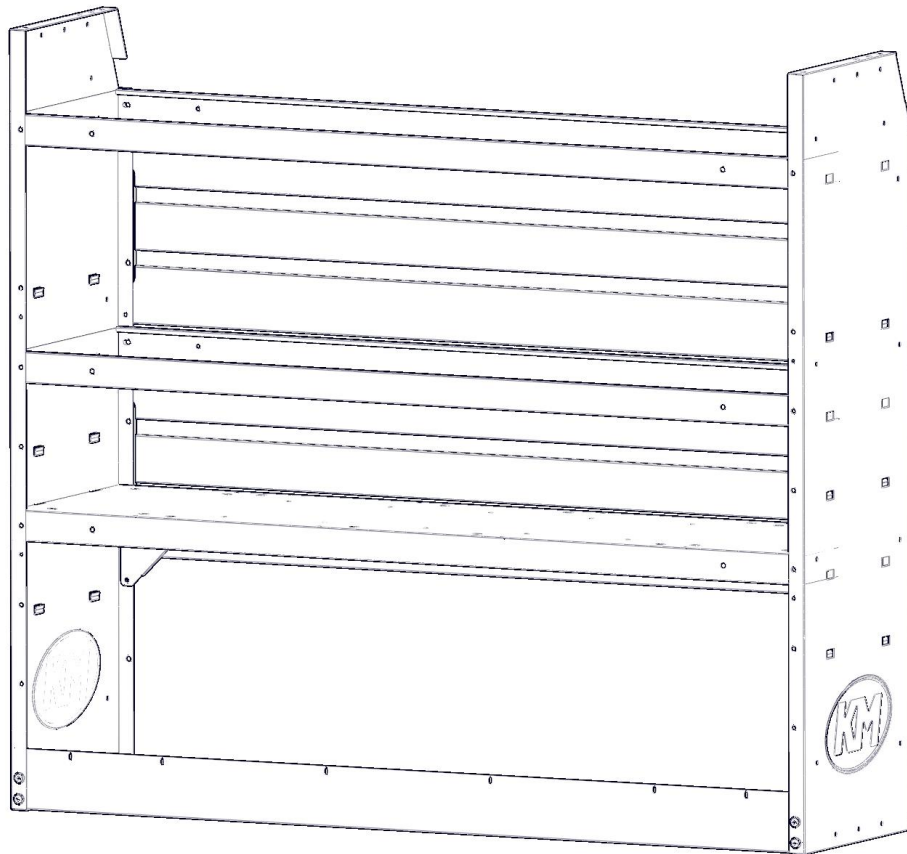

KARGO MASTER®

WE PUT EVERYTHING WITHIN REACH.

Installation Guide

48230



***PLEASE READ ALL INSTRUCTIONS AND WARNINGS PRIOR TO ASSEMBLING,
INSTALLING, AND USING THIS PRODUCT***

Warning



Always check for wires, fuel tanks and lines, brake lines and other important vehicle functionality items prior to drilling and installing all products.

Tools Needed

Phillips Driver	7/16" Wrench and Socket
-----------------	-------------------------

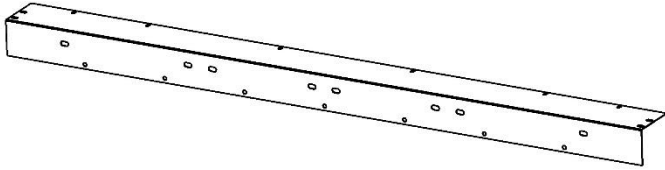
Table of Contents

Parts List	2
Hardware List	2
Step 1 Place Shelf Lip in Position	3
Step 2 Install Door Kit (optional)	3

Before You Begin

- Read all instructions.
- Have shelf unit ready to install shelf lip.
- ENSURE SAFETY BEFORE DRILLING OR CUTTING

Parts

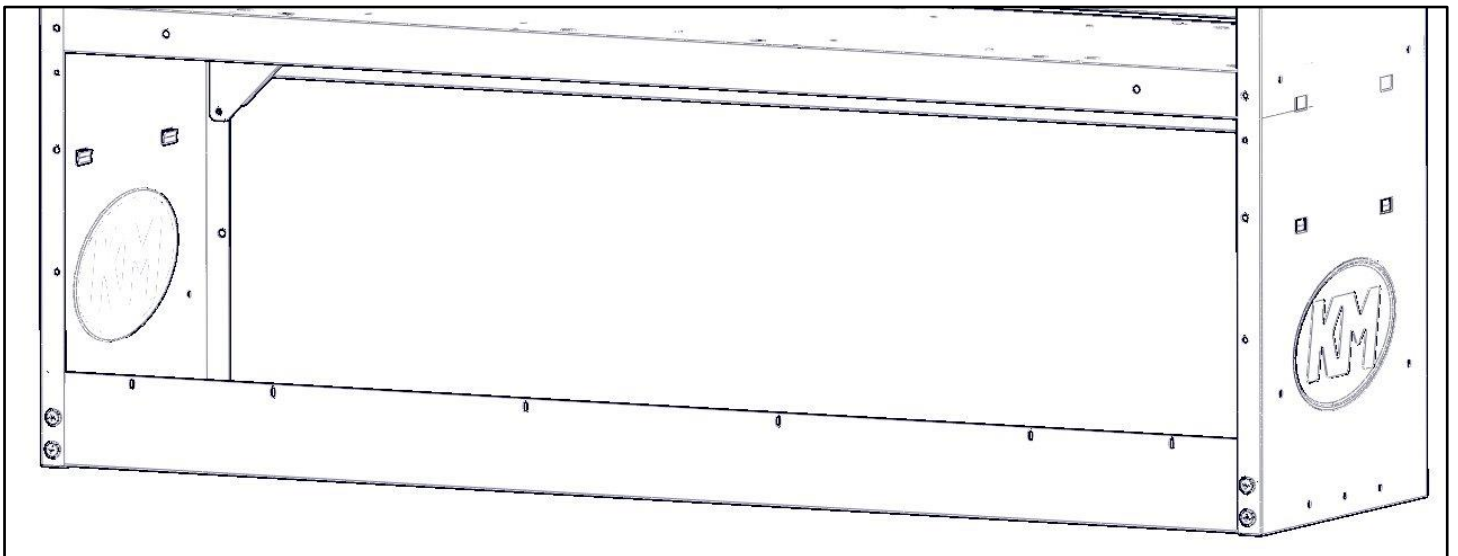
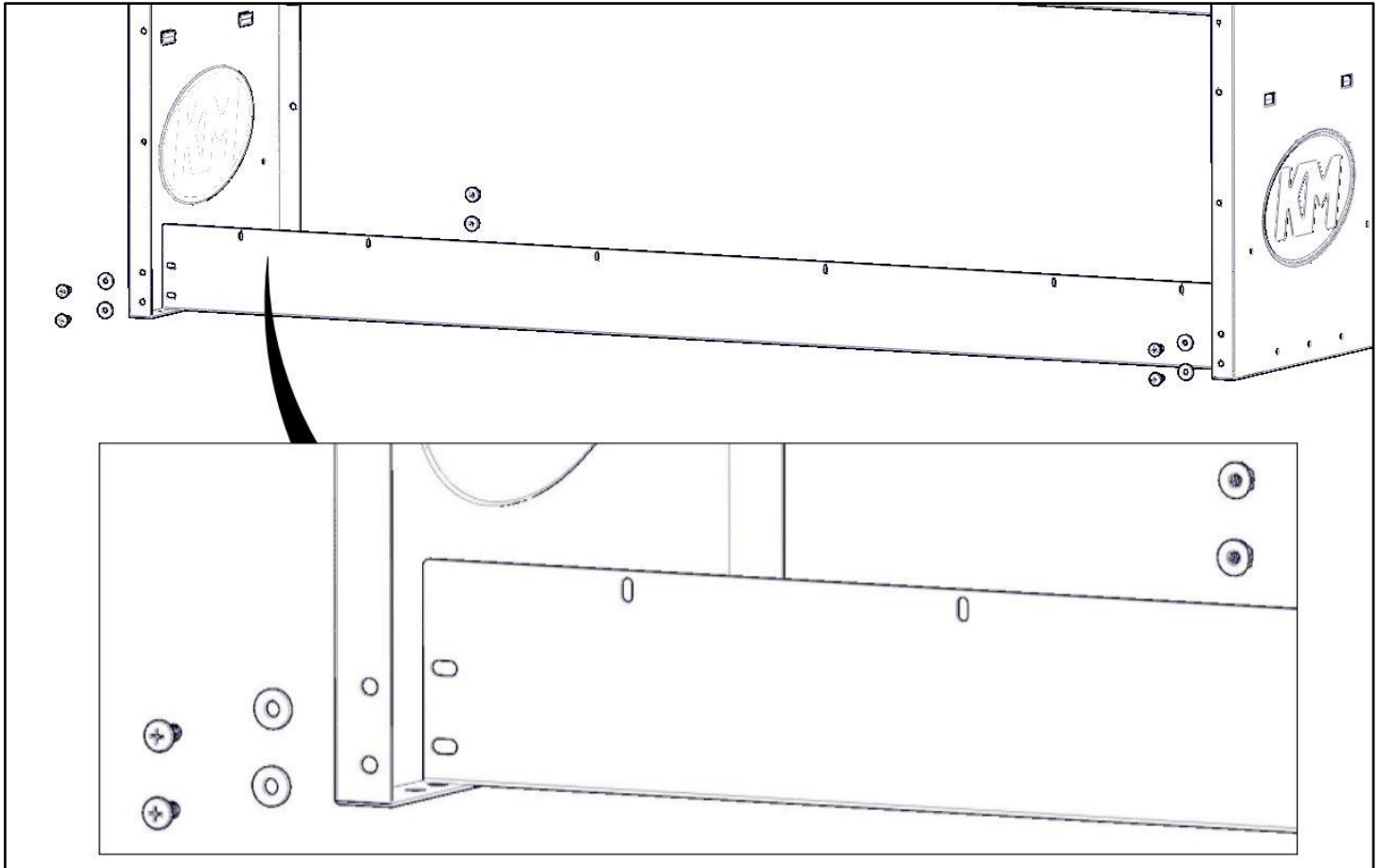
ITEM NO.		PART NUMBER	DESCRIPTION	QTY.
A		KM40040-103	52" Shelf Lip	1
		18-48230	Hardware Kit	1

Hardware

ITEM NO.	TO SCALE	DESCRIPTION	PART NUMBER	QTY.
1		.25-20 x .50 Phillips Round Head	90272A537	4
2		.25 Flat Washer	90126A029	4
3		.25-20 Flanged Nyloc	93298A110	4

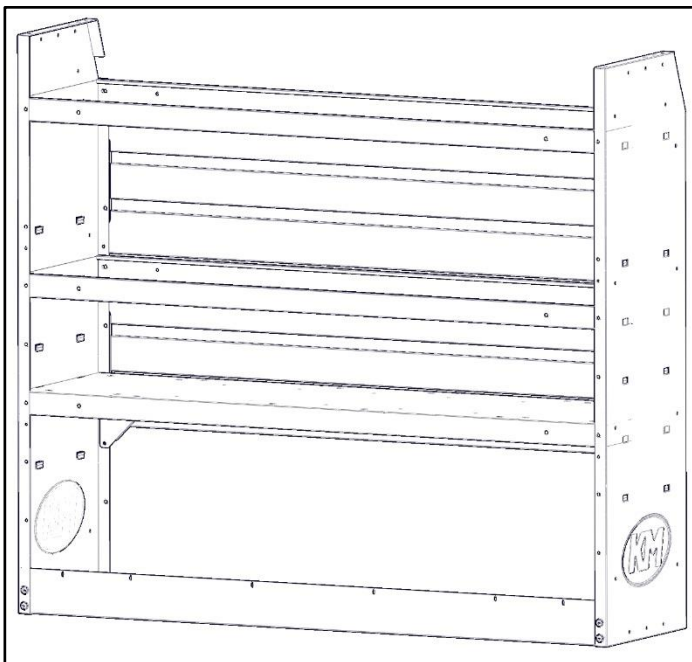
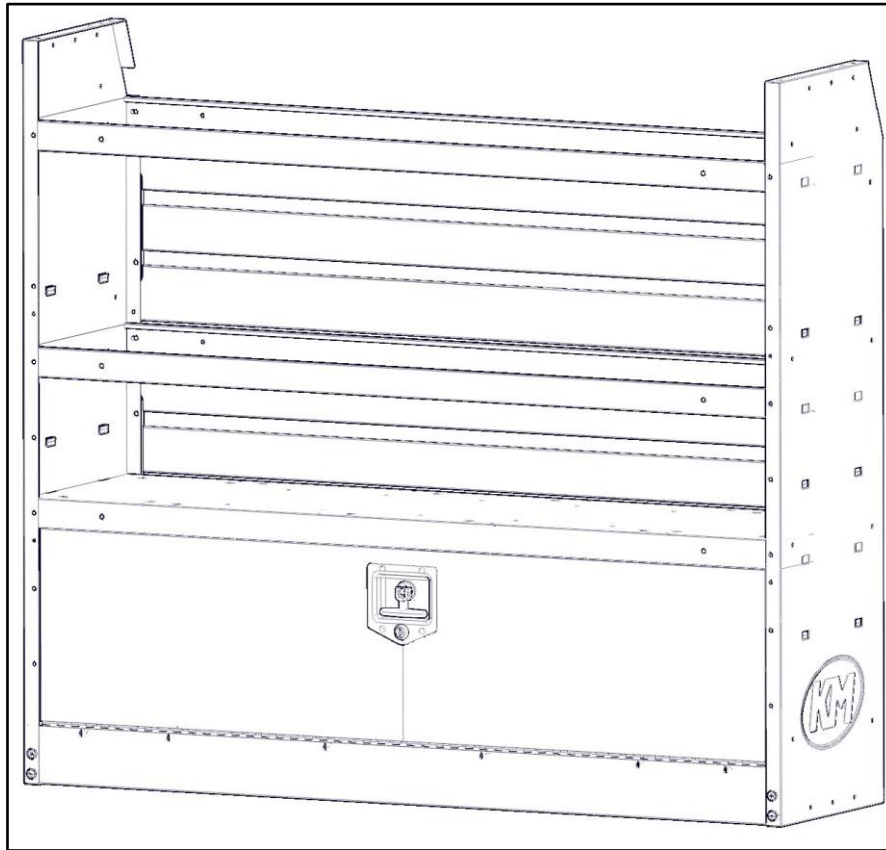
Step 1 – Place Shelf Lip in Position

- Place shelf lip in orientation shown at the bottom, front of the shelf assembly.
- Bolt shelf lip to shelf using .25 round head bolt, .25 flat washer and .25 flanged nyloc.
- The shelf lip goes inside of the lip on the shelf assembly.
- Snug Tighten, but allow movement.



Step 2 – Install Door Kit (optional)

- Follow instructions from the door kit to install.
- Use previously installed shelf lip to mount door kit to.



Square and align to your liking.
Tighten all bolts from previous steps.
Your installation is now complete.