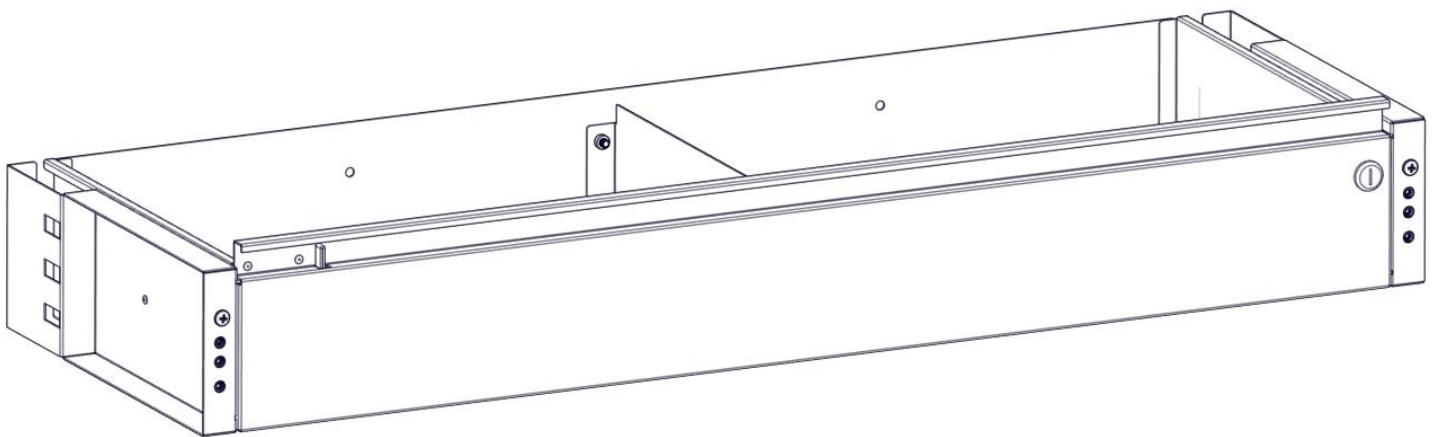

KARGO MASTER®

WE PUT EVERYTHING WITHIN REACH.

Installation Guide

48152



***PLEASE READ ALL INSTRUCTIONS AND WARNINGS PRIOR TO ASSEMBLING,
INSTALLING, AND USING THIS PRODUCT***

Warning



Always check for wires, fuel tanks and lines, brake lines and other important vehicle functionality items prior to drilling and installing all products.

Tools Needed

Phillips Driver	
-----------------	--

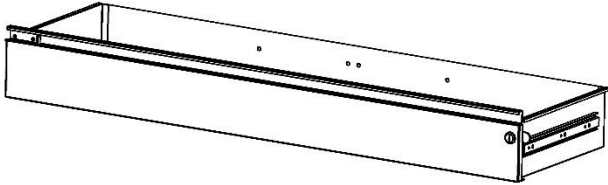
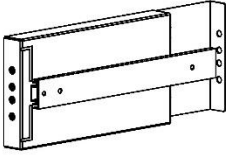
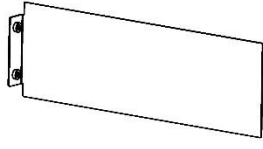
Table of Contents

Parts List	2
Hardware List	2
Step 1 Slide Side Mounts Open	2
Step 2 Locate and Compress Latch	3
Step 3 Disengage Side Mount From Drawer	4
Step 4 Find Location	5
Step 5 Attach	6
Step 6 Divider	7
Step 7 Drawer	7

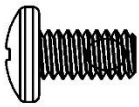
Before You Begin

- Read all instructions.
- Have 52”W shelf unit assembled.

Parts

ITEM NO.		PART NUMBER	DESCRIPTION	QTY.
A		48152-10-R1	52 DRAWER ASM w/ HARDWARE	1
B		481x2-10	SIDE MOUNT ASM	2
C		481x2-20	Divider ASM	1
		18-481x2-R1	HARDWARE	1

Hardware

ITEM NO.	TO SCALE	PART NUMBER	DESCRIPTION	QTY.
1		96562A537	1/4\"-20 x 1/2\" Pan Head w_Loctite	6

Step 1 – Slide Side Mounts Open

- The side brackets came from the package pre-installed on the rails.
- Gently slide the side brackets to expose the rails.



Step 2 – Locate and Compress Latch

- Extend the side bracket all the way to view the latch. Gently click the latch to disengage the rail. (Note: If the latch's original position is up, clip down to disengage and vice versa).



Step 3 – Disengage Side Mount From Drawer

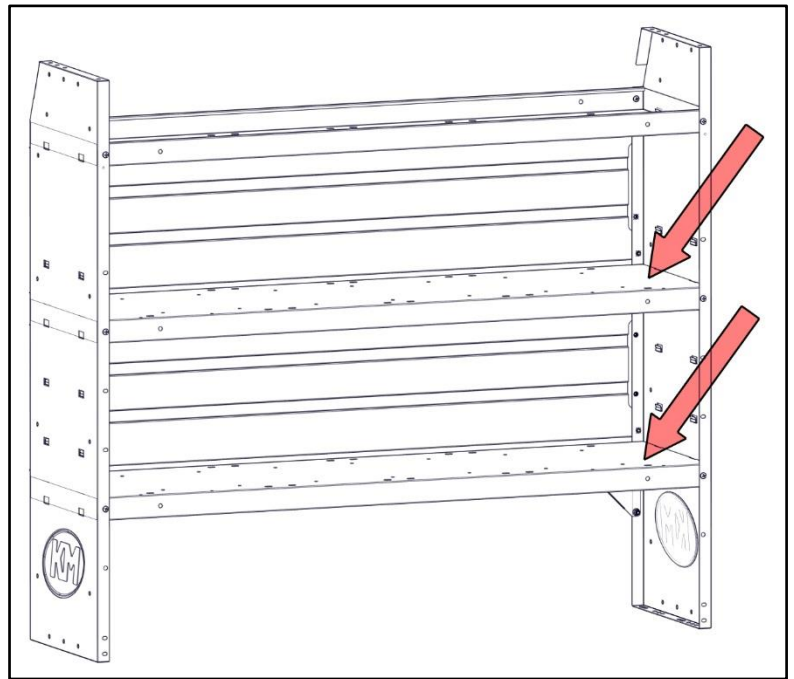
- Once disengaged, gently pull the side bracket back away from the drawer to detach the side bracket completely.



- Repeat above steps to disengage both side brackets. Now you are able to follow the included instructions and begin installation onto the shelf.

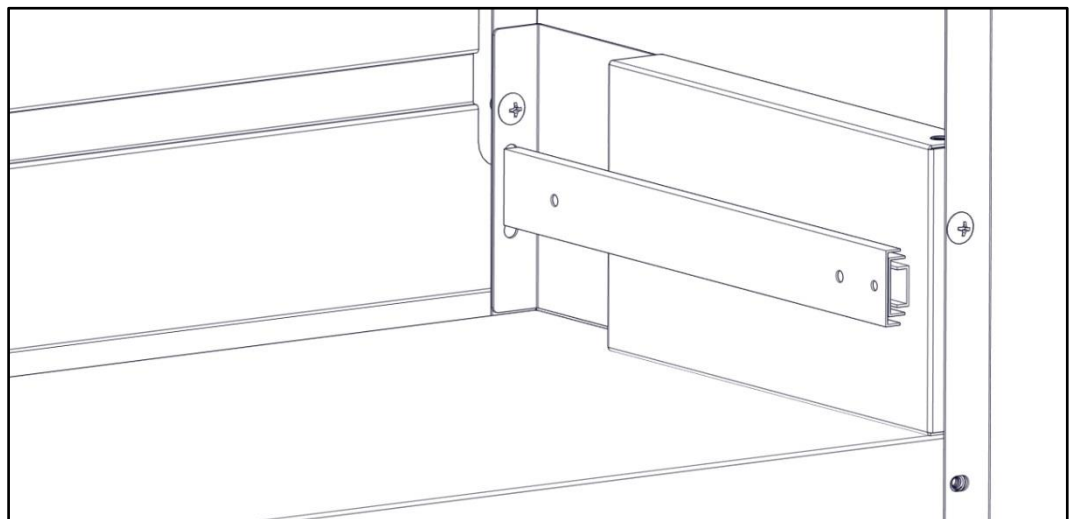
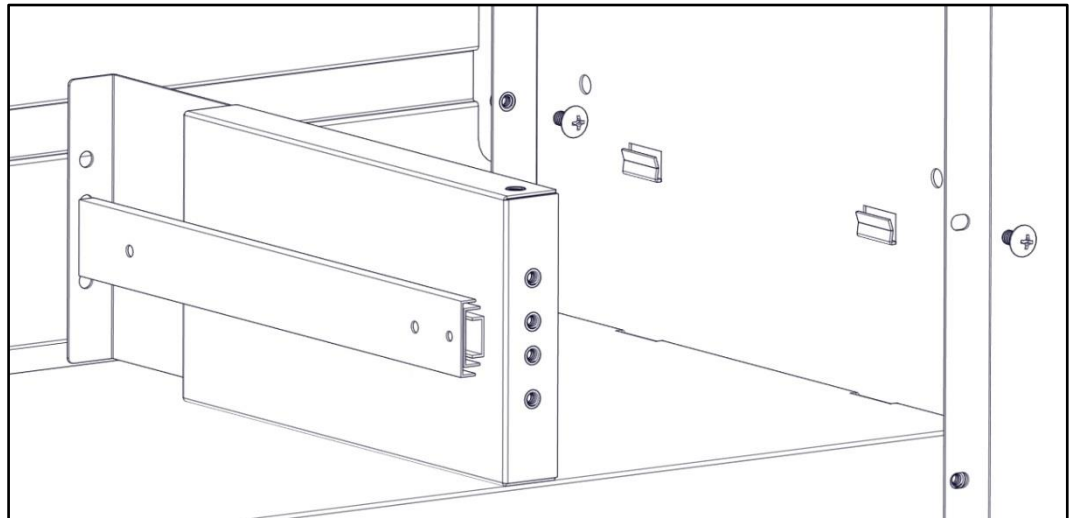
Step 4 – Find Location

- Find desired location for shelf unit to be installed.



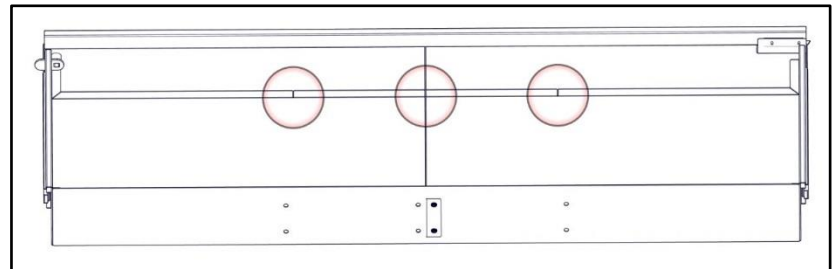
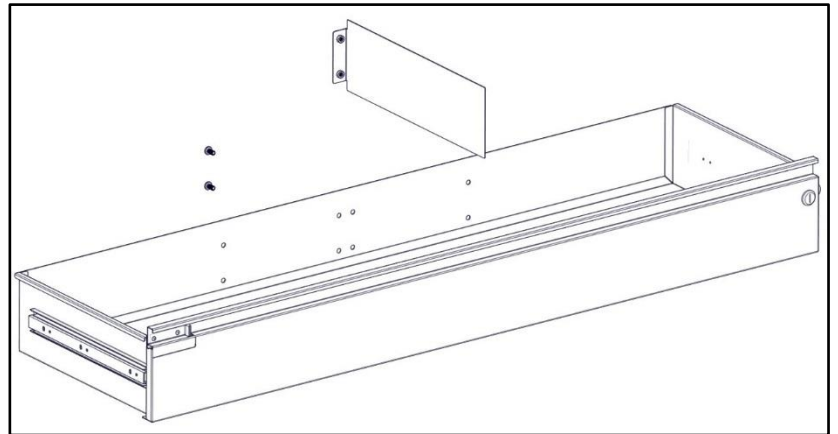
Step 5 – Attach

- Place install asm (B) into shelf unit in the orientation shown.
- Be sure the install asm hooks on the flange on the inner shelf.
- Align the hole in the shelf unit with the pem in the install asm.
- Screw in using 1/4" x 1/2" Pan Head Screw (1).
- TIGHTEN rear screw.
- Snug Tighten front screw.
- Repeat on both sides.



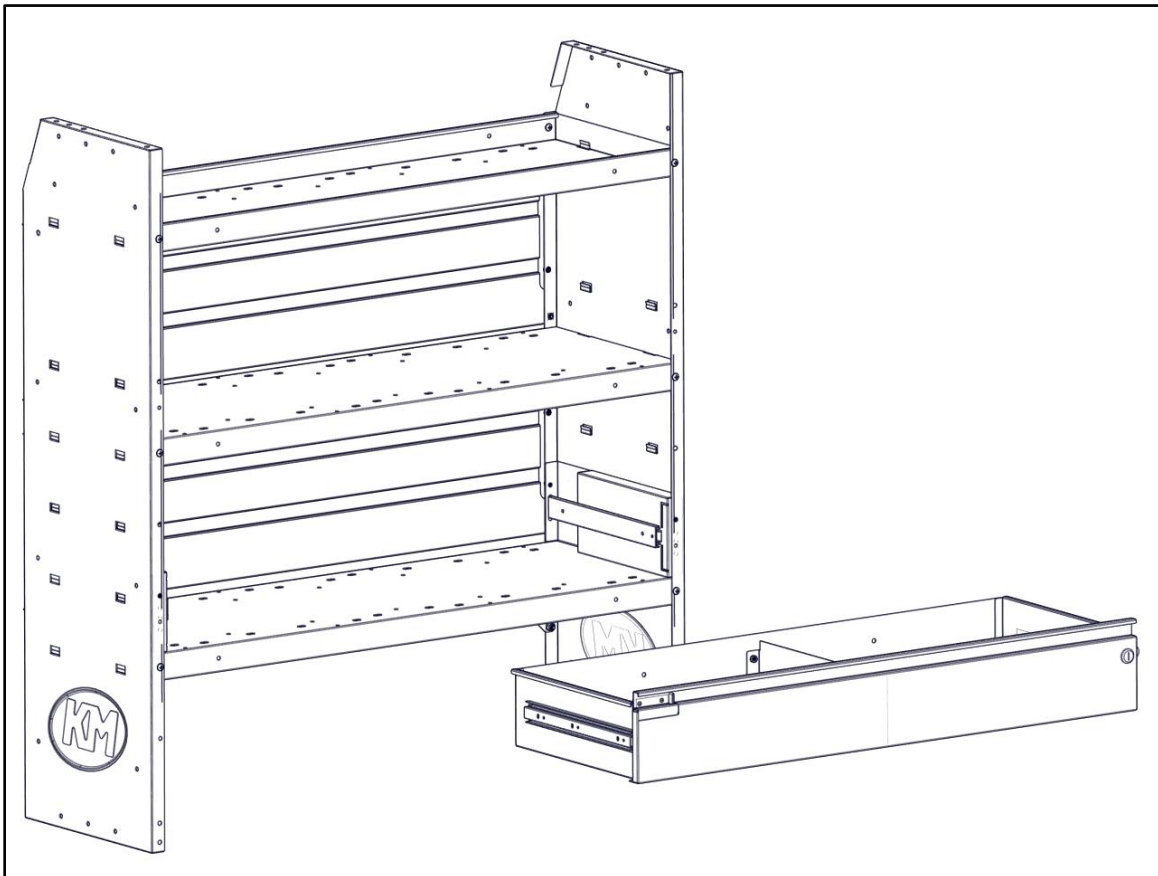
Step 6 – Divider

- Install divider asm (C) to drawer asm (A). Bolt into place using 1/4" x 1/2" pan head screw (1).
- There are multiple locations where divider can be installed.
- Be sure the front of the divider goes into the slot of the drawer asm.



Step 7 – Drawer

- Install drawer asm (A) to the previously installed install asm (B).
- Align both sides of the slides and attach together.



Multiple shelf units may be installed in a variety of different locations. Some examples are shown below.

Ensure all bolts are tight. Your Installation is now complete.

