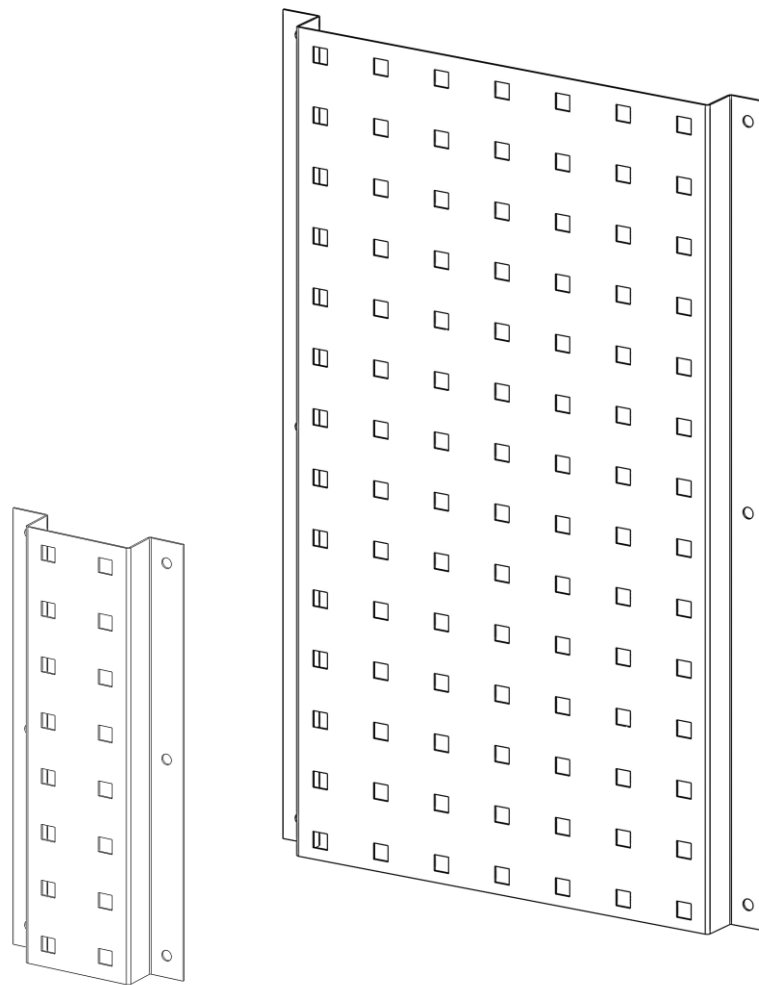


KARGO MASTER®

WE PUT EVERYTHING WITHIN REACH.

Instruction Guide Pegboard



PLEASE READ ALL INSTRUCTIONS AND WARNINGS PRIOR TO ASSEMBLING, INSTALLING, AND USING THIS PRODUCT.

Warning



Always check for wires, fuel tanks and lines, brake lines and other important vehicle functionality items prior to drilling and installing all products.

Tools Needed

7/16", 3/8" Sockets and Wrench	9/16" Box Wrench
7/16" Box Wrench	

Table of Contents

42000 Parts List..... 1

42001 Parts List..... 2

Hardware 2

Step 1 – Installation 3

Step 2A – Installing using Plus Nuts 4

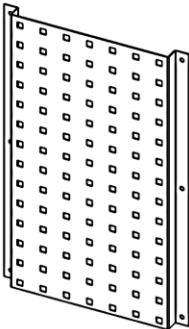
Step 2B – Installing using Lock Nuts..... 5

Attaching Accessories 5

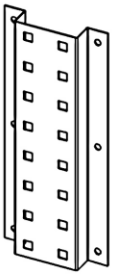
Before You Begin

- Read all instructions prior to installing any Kargo Master product.

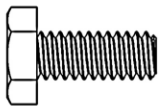

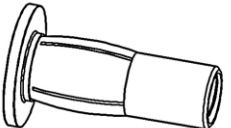

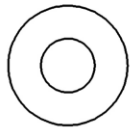
42000 Parts List

ITEM NO.	ITEM	PART NUMBER	DESCRIPTION	QTY.
1		100831	PEGBOARD 20" x 13"	1
2		18-42000	42000 HARDWARE KIT	1

42001 Parts List

ITEM NO.	ITEM	PART NUMBER	DESCRIPTION	QTY.
1		100832	PEGBOARD 11-1/2" x 5"	1
2		18-42001	42000 HARDWARE KIT	1

Hardware

ITEM	HARDWARE TO SCALE	PART NUMBER	DESCRIPTION	QTY.
1		13002	1/4"-20 X 5/8 HEX HEAD BOLT	6
2		0167030	1/4"-20 FLANGED LOCK NUT	6
3		920313726	1/4"-20 PLUS NUT	6
4		33618	1/4" LOCK WASHER	6
5		33078	1/4" WASHER	6

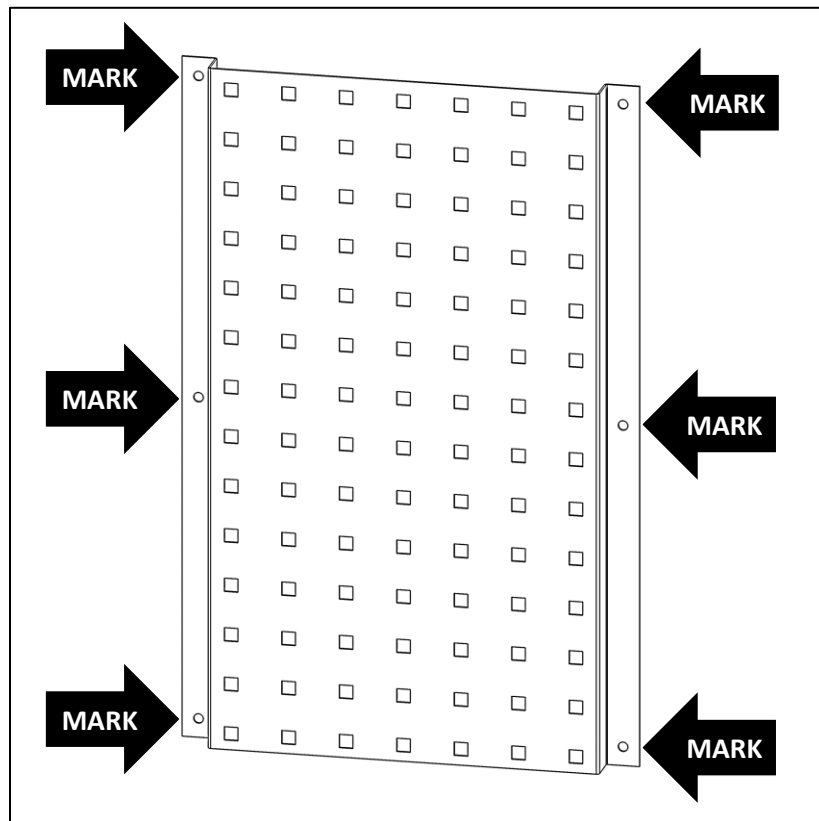
Step 1 – Installation

- Determine proper installation location.



Installing the pegboard requires holes be drilled through installation surface, so make sure the following clearances and warnings are met.

- Be sure there is proper clearance behind installation surface for bolts and nuts to be installed.
 - Be sure there is there is no electrical wiring or fuel lines behind locations marked.
- Mark the location of the four holes onto the installation surface.
 - Set aside pegboard.



Hardware is provided for two types of installation, installation using plus nuts or using lock nuts.



DO NOT drill beyond depth of floor. Always check that each location is clear of wires, fuel tanks and lines, brake lines and other important vehicle functionality items prior to drilling and installing any product.



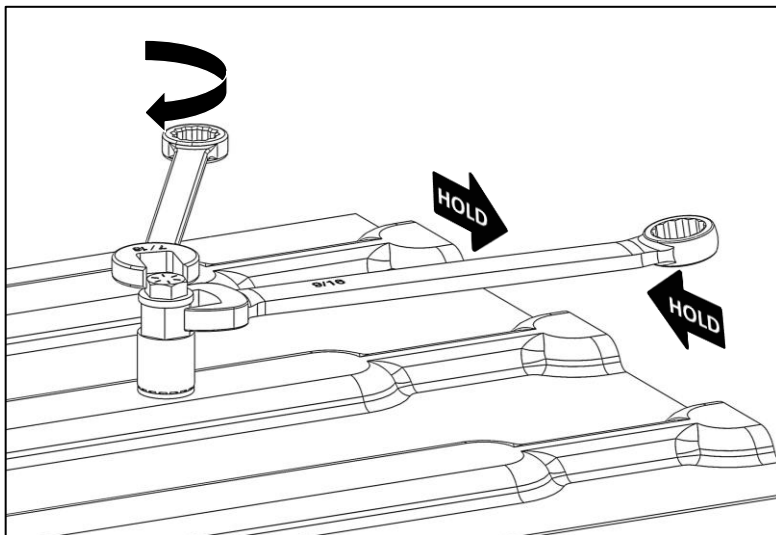
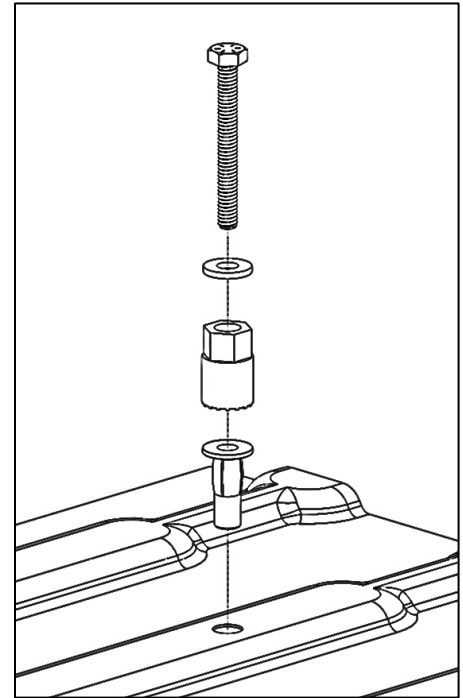
Use a drill stop to avoid unnecessary damage.

Step 2A – Installing using Plus Nuts

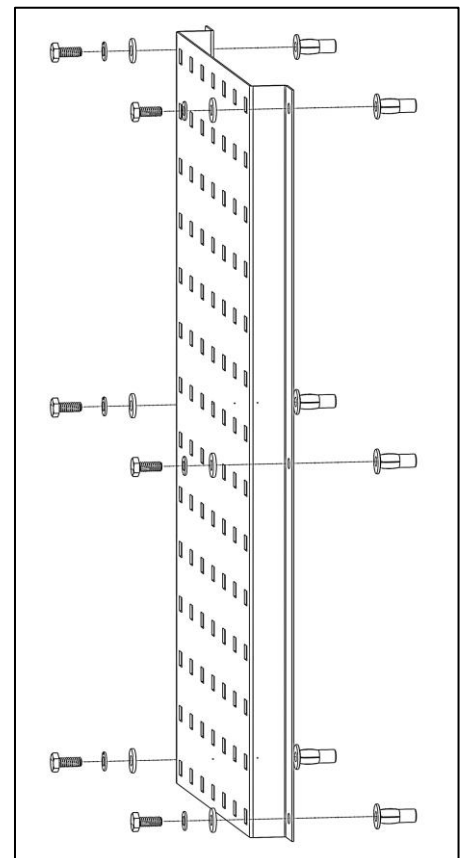
- Using 25/64" drill bit and appropriate sized drill-bit stop collar, drill a hole at each marked location. If 25/64" drill bit is not available, a 3/8" drill bit can be used, although it may be necessary to tap in the plus nuts.
- Insert a 1/4" x 2-1/4" hex head bolt through a 1/4" washer and the plus nut installation tool, and then screw the bolt into plus nut.

NOTE: Knurled end of plus nut tool must be directed away from bolt head and contacting plus nut.

- Insert and press plus nut, with tool still attached, into hole.
- Using the 9/16" box wrench, hold the plus nut tool stationary and then tighten hex head bolt until plus nut is tightly gripping mounting surface and does not spin when hex bolt is loosened.



- DO NOT overtighten plus nut.
- Install pegboard onto installation surface by bolting one 1/4" x 5/8" hex head screw, one 1/4" lock washer, and one 1/4" washer into each installed plus nut.
- TIGHTEN all hardware.

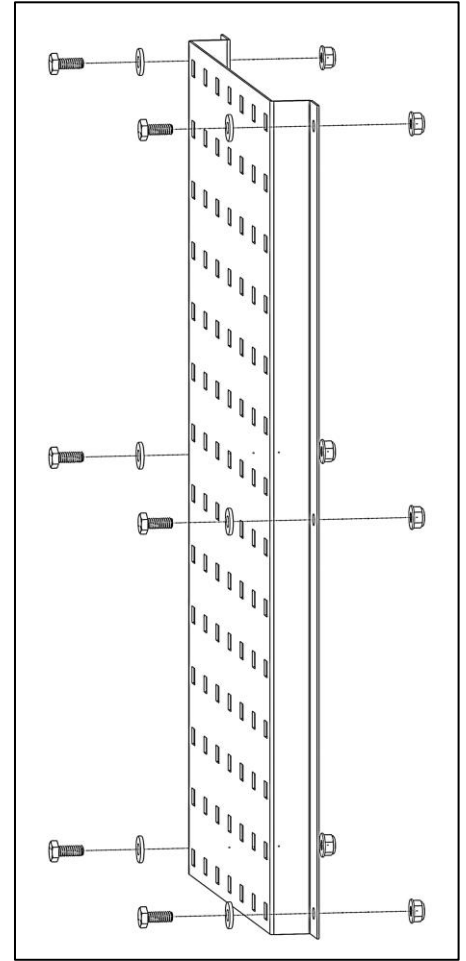


Step 2B – Installing using Lock Nuts

- Using a 17/64" drill bit and appropriate sized drill-bit stop collar, drill a hole through the installation surface at each location marked.
- Using six 1/4" x 5/8" hex head screws, six 1/4" washers, and six 1/4" flanged lock nuts, install pegboard onto installation surface.
- TIGHTEN all hardware.

GO BACK AND ENSURE ALL HARDWARE IS TIGHTENED.

INSTALLATION IS COMPLETE



Attaching Accessories

- To attach accessories to the pegboard, press accessory into pegboard, then press accessory down until firmly attached to pegboard.

