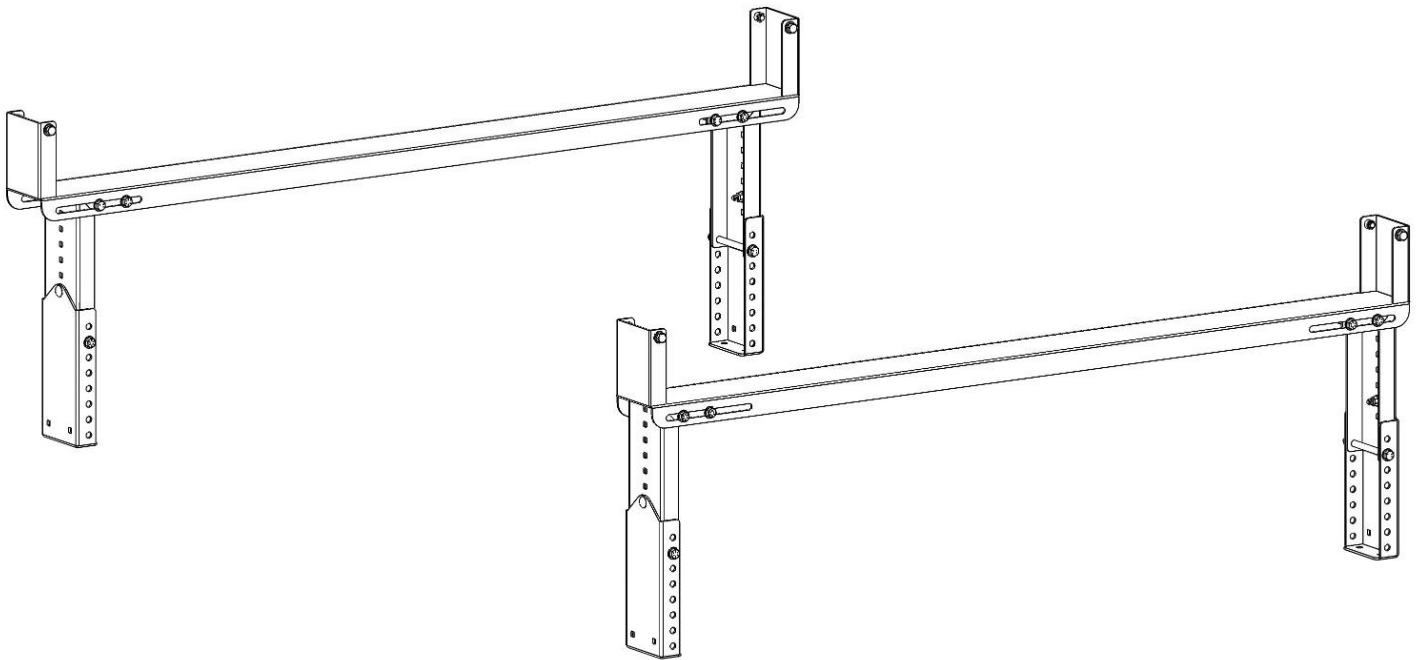


KARGO MASTER®

WE PUT EVERYTHING WITHIN REACH.

Instruction Guide

40960



PLEASE READ ALL INSTRUCTIONS AND WARNINGS PRIOR TO ASSEMBLING, INSTALLING, AND USING THIS PRODUCT.

Warning



Always check for wires, fuel tanks and lines, brake lines and other important vehicle functionality items prior to drilling and installing all products.

Tools Needed

1/2" Socket and Wrench	9/16" Socket and Wrench
1/2" Box Wrench	9/16" Box Wrench
Tape Measure	

Table of Contents

Before You Begin 1

Parts List..... 2

Hardware 3

Step 1 – Assemble Top of Rack Mount 4

Step 2 – Assemble Rack Mount Legs..... 4

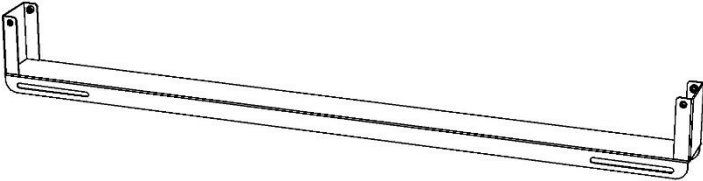
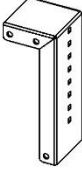
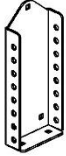
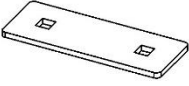
Step 3 – Attach Supports to Ladder Rack..... 6

Step 4 – Mount Ladder Rack to Service Body 7

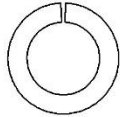
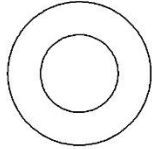
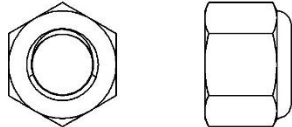
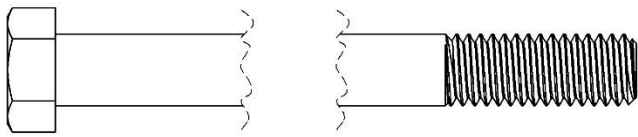
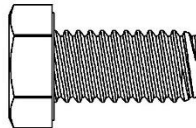
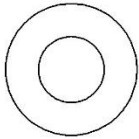
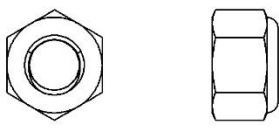
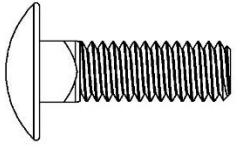
Before You Begin

- Read all instructions.
- Use these instructions along with the assembly instructions found with the rack to complete installation.
- **Ensure safety when installing rack.**
- **Never exceed rack weight rating.**

Parts List

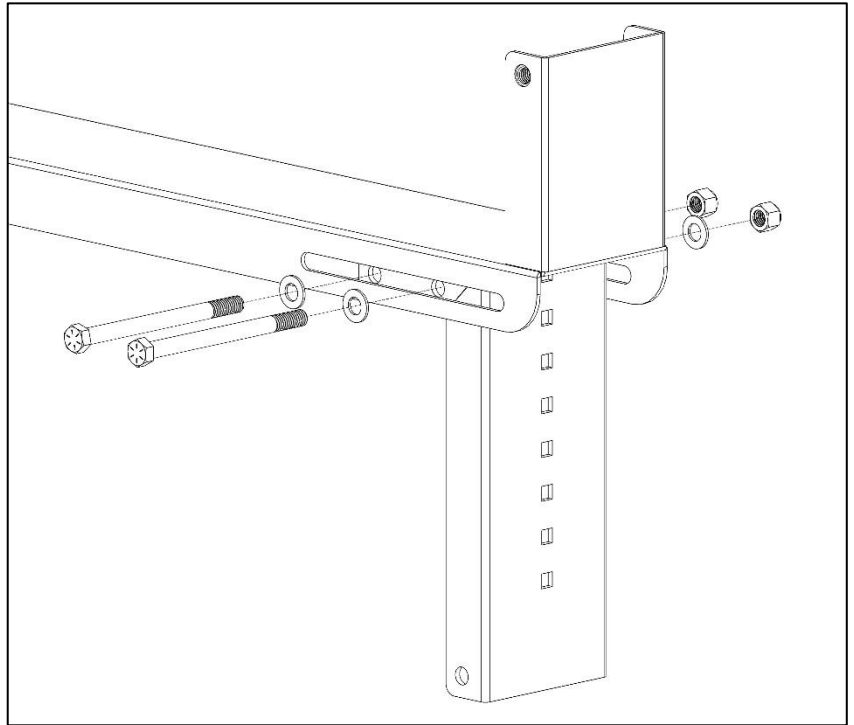
ITEM NO.	ITEM	PART NUMBER	DESCRIPTION	QTY.
1		40960-00-001	MOUNTING RAIL	2
2		40960-00-002	UPRIGHT MOUNT	4
3		40960-00-003	UPRIGHT FOOT	4
4		40960-00-004	MOUNTING PLATE	4

Hardware

ITEM	HARDWARE TO SCALE	PART NUMBER	DESCRIPTION	QTY.
1		0123496	3/8" SPLIT LOCK WASHER	8
2		11541089	3/8" WASHER	34
3		0169791	3/8"-16 LOCK NUT	13
4		11241209	3/8"-16 X 5" HEX HEAD BOLT	12
5		11241196	3/8-16 X 3/4" HEX HEAD BOLT	8
6		33080	5/16" WASHER	13
7		0169777	5/16"-18 NYLOC	13
8		21811	5/16-18 X 1" CARRIAGE BOLT	12

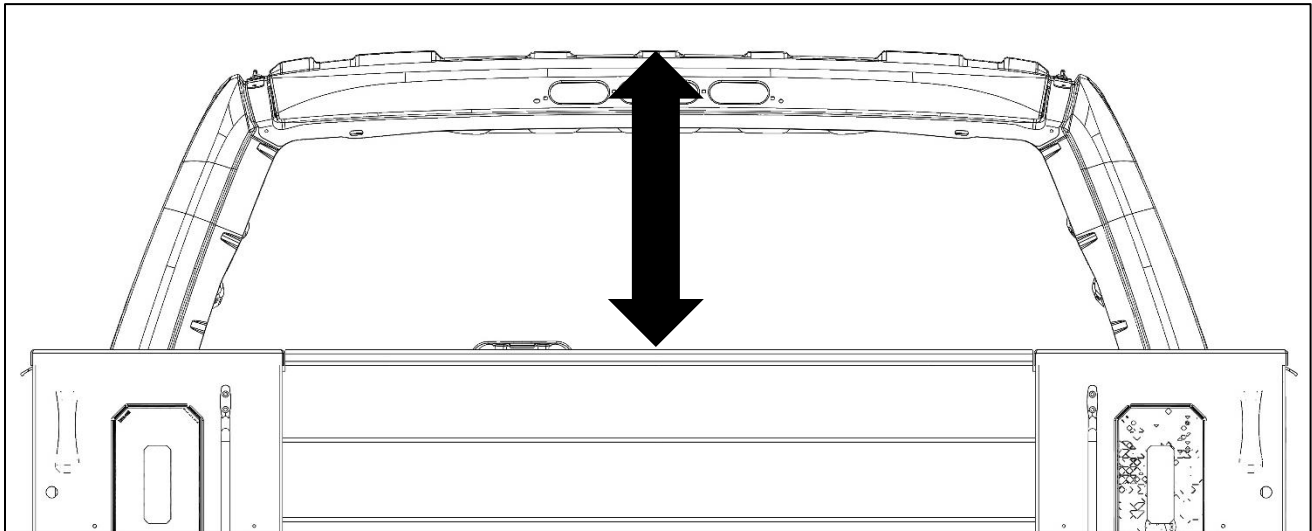
Step 1 – Assemble Top of Rack Mount

- Using two 3/8" x 5" hex head bolts, four 3/8" washers, and two 3/8" lock nuts, loosely bolt upright mount to mounting rail. DO NOT tighten.
- Repeat on opposite side.
- Repeat for second mounting rail.

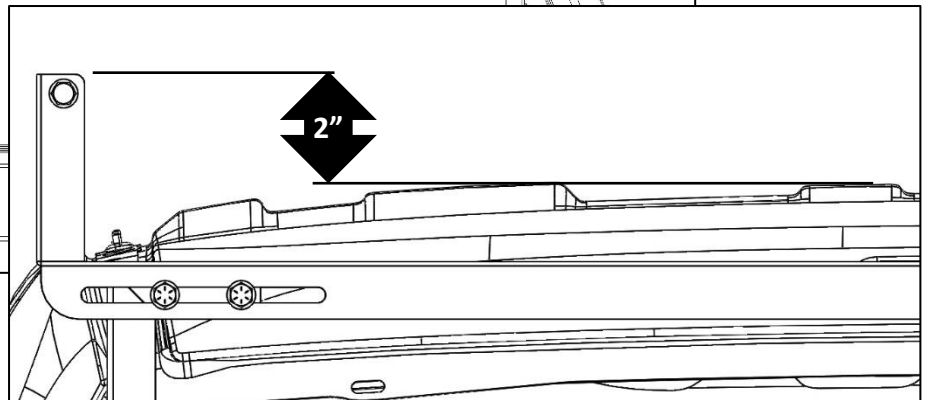
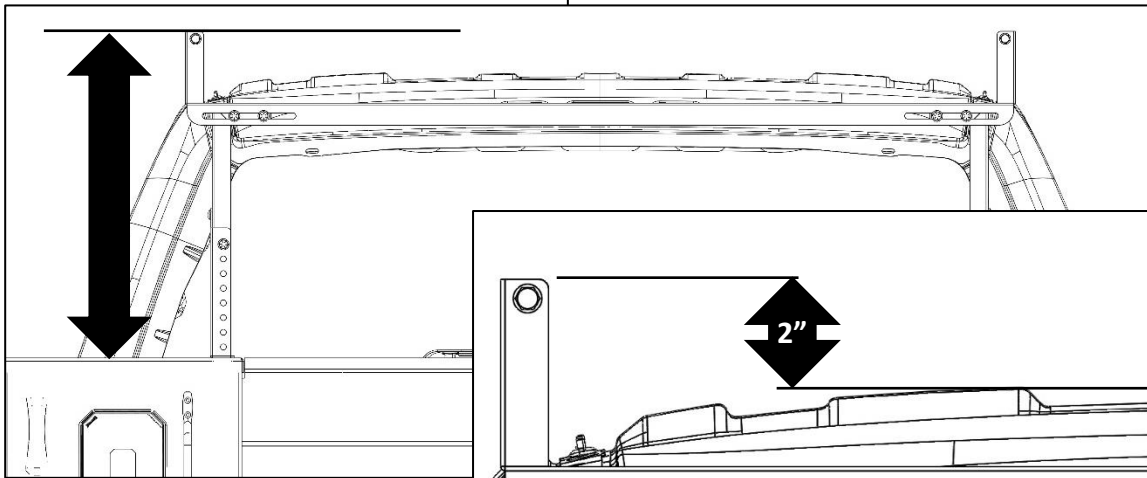
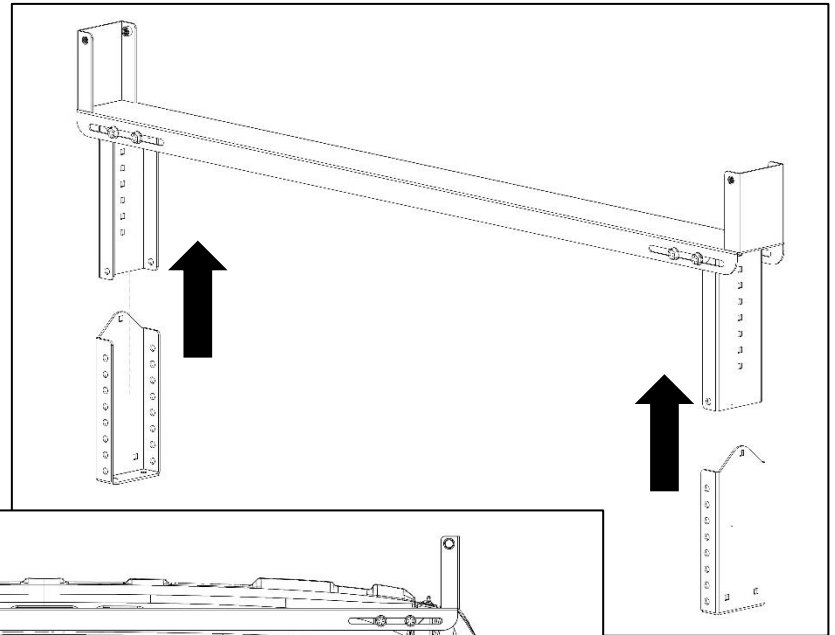


Step 2 – Assemble Rack Mount Legs

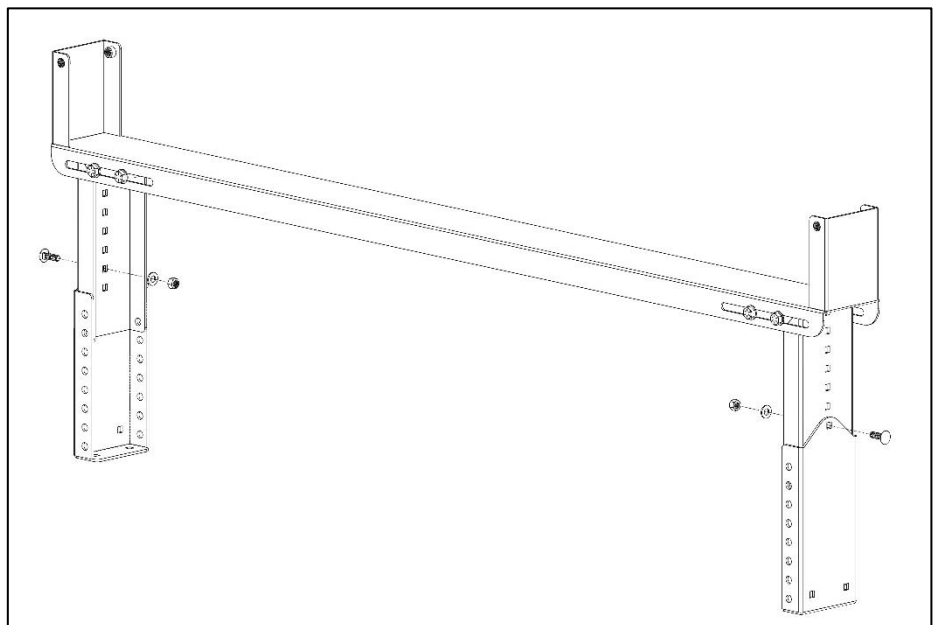
- Measure height from top of service body to top of cab.



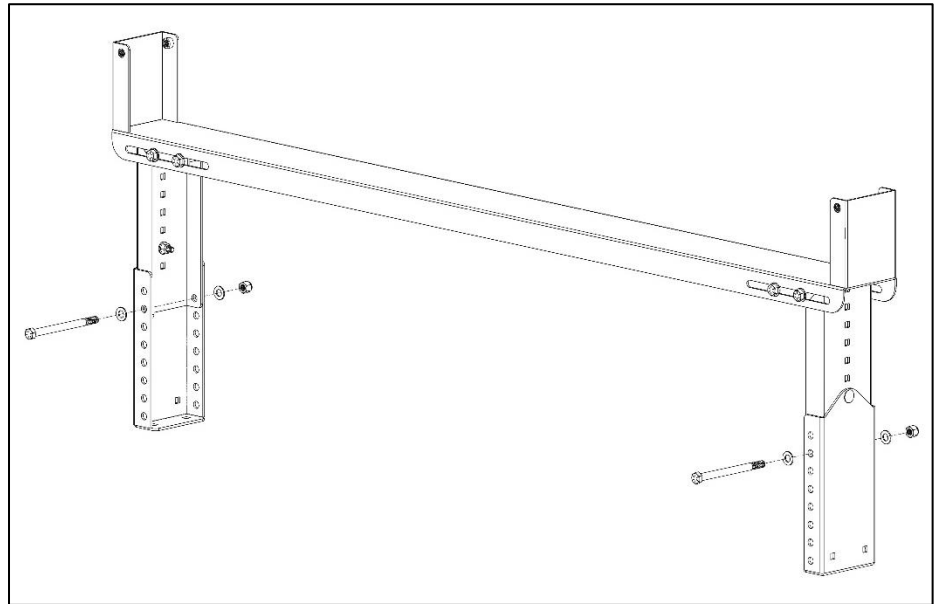
- Set the upright foot into the upright mount with the distance between the top of the upright to the bottom of the foot at least 2" greater than the distance measured.



- Using one 5/16" carriage bolt, one 5/16" washer, and one 5/16" lock nut, install the upright foot to the upright mount.

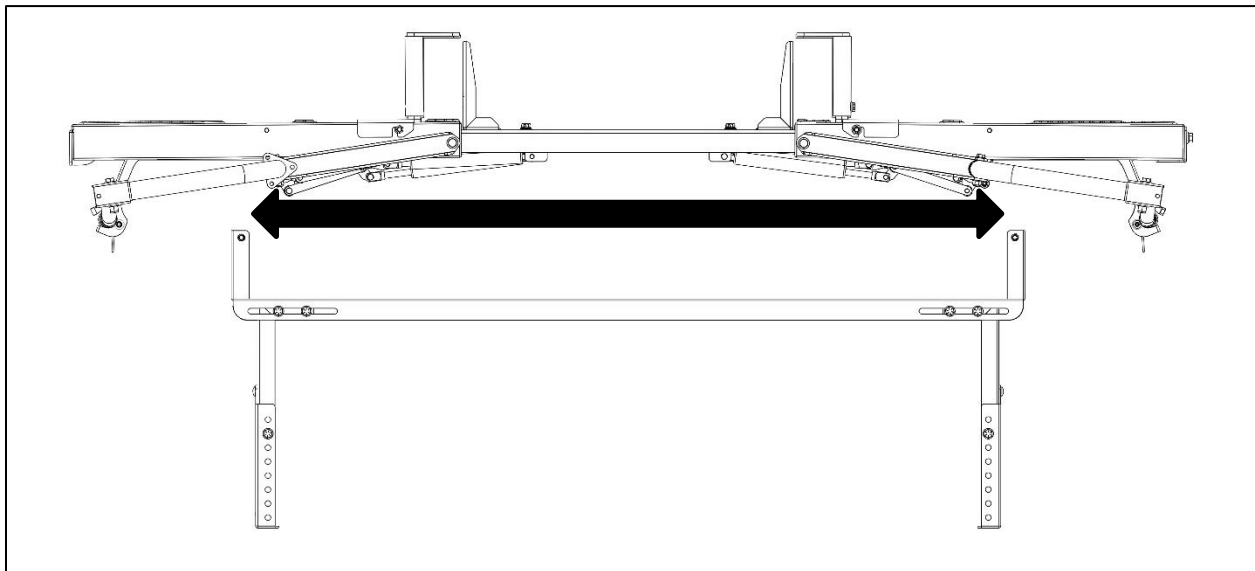


- Using one 3/8" x 5" hex head bolts, two 3/8" washers, and one 3/8" lock nuts, loosely bolt upright foot to upright mount. DO NOT tighten.
- Repeat for second mounting rail.

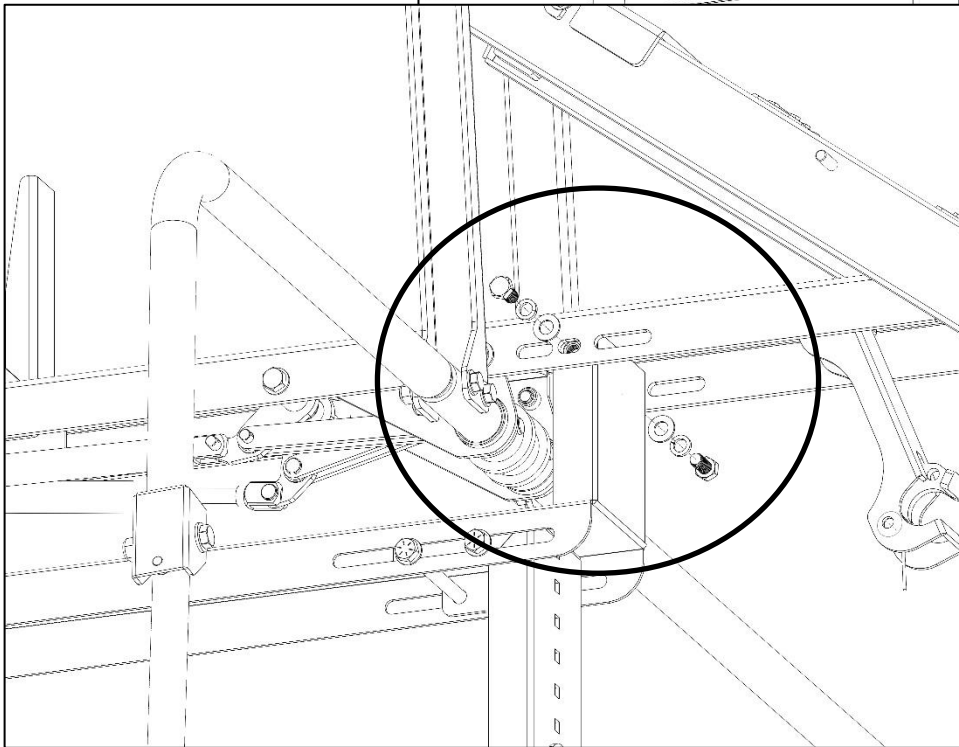
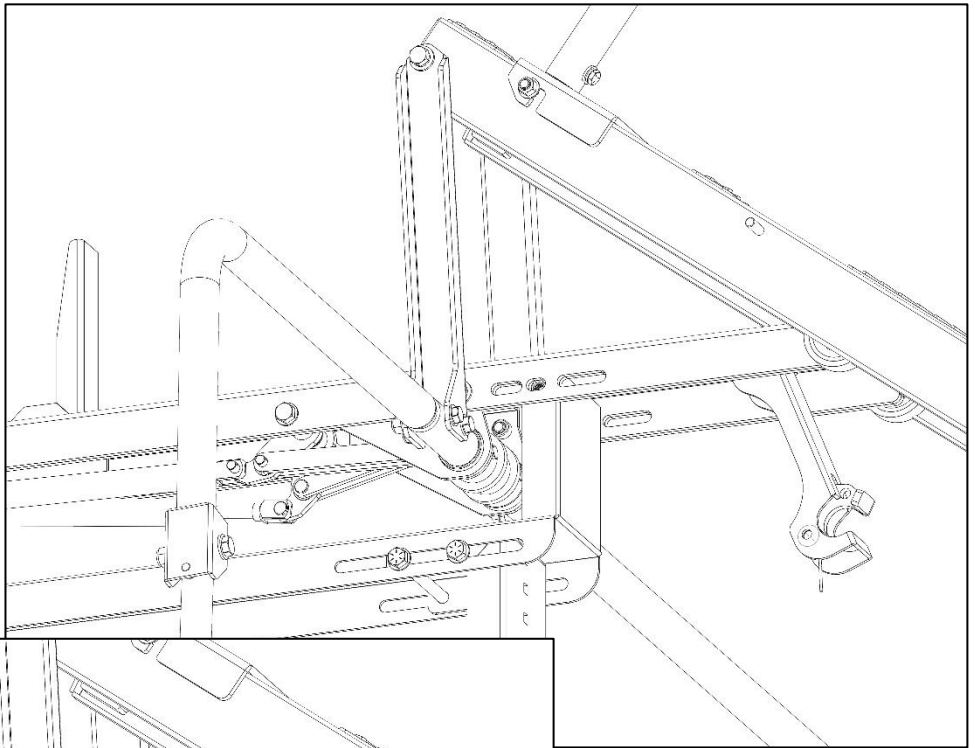


Step 3 – Attach Supports to Ladder Rack

- Center assembled support onto preassembled ladder rack.



- Using two 3/8" x 3/4" hex head bolts, two 3/8" lock washers, and two 3/8" washers, install one end of assembled support onto ladder rack.
- Repeat on opposite side of ladder rack.
- Repeat for second ladder rack bow.

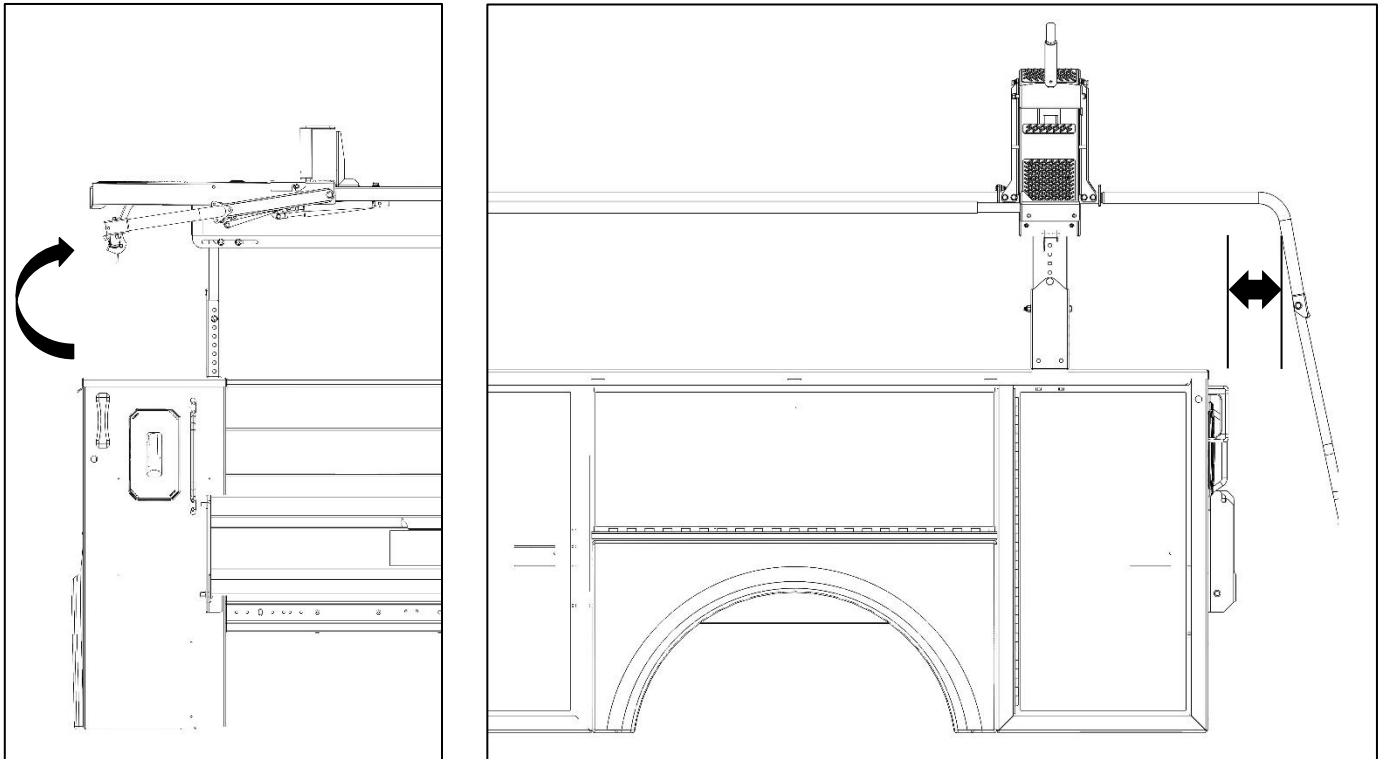


Step 4 – Mount Ladder Rack to Service Body

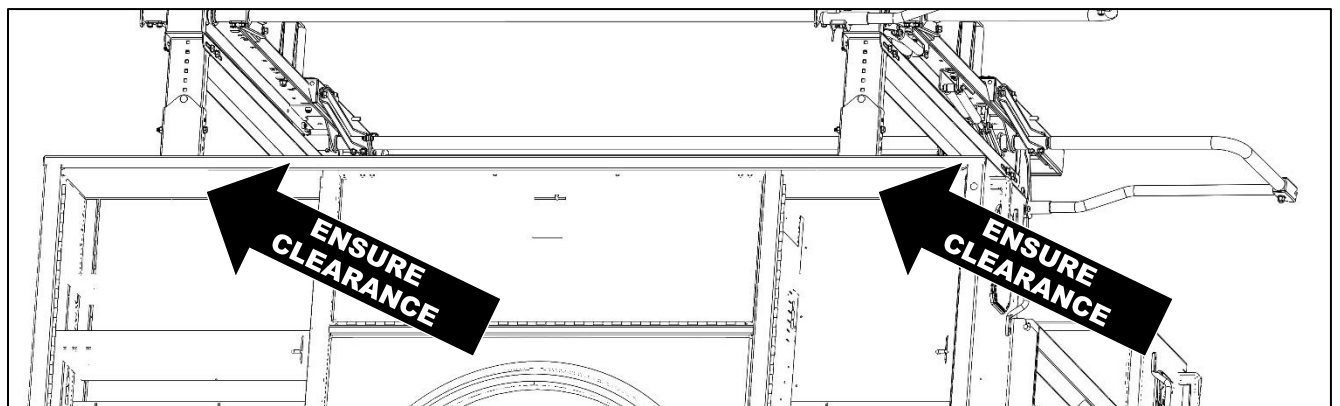
NOTE: Rack mount may also be mounted to the inside service body bed panels.

- Set ladder rack onto service body.
- Square ladder rack to service body.

- Locate proper position for ladder rack installation. Ensure clearance between rack and opening doors, and clearance between rear handle and rear of service body.

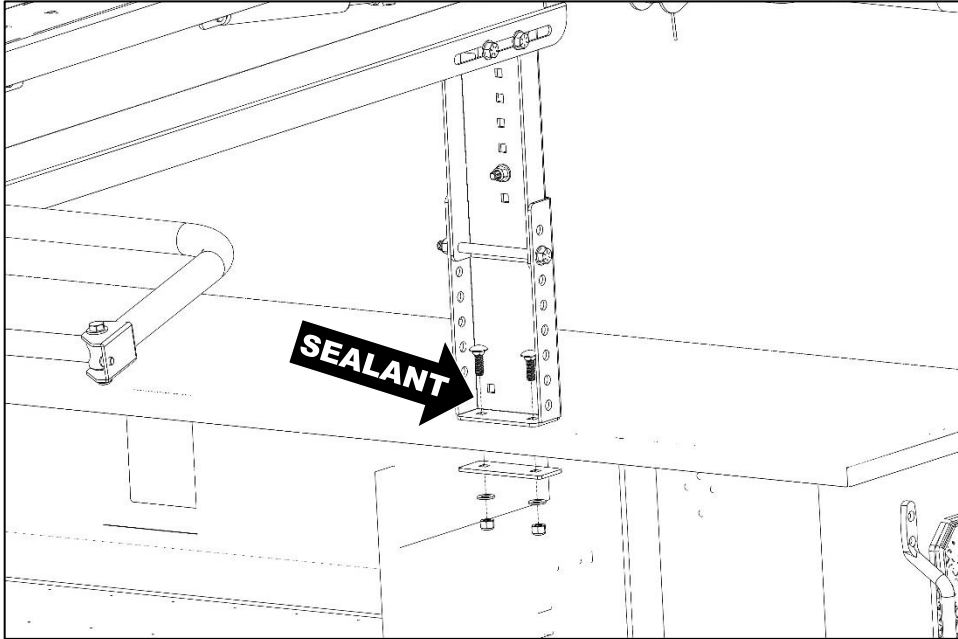


- Ensure clearance below each upright foot location, inside service body cavity, for mounting plate to be installed below each upright foot.



- Mark location of holes in bottom of upright foot onto service body.
- Remove rack from service body.
- Using a Q size drill bit, drill through the service body at location marked.
- Set ladder rack on service body.

- Apply sealant around each of two 3/8" carriage bolts and install carriage bolt through upright foot into service body.
- Using two 3/8" washers and two 3/8" lock nuts, install one mounting plate below each upright foot.



- Tighten all hardware.

ENSURE ALL HARDWARE IS TIGHT
YOUR INSTALLATION IS NOW COMPLETE.