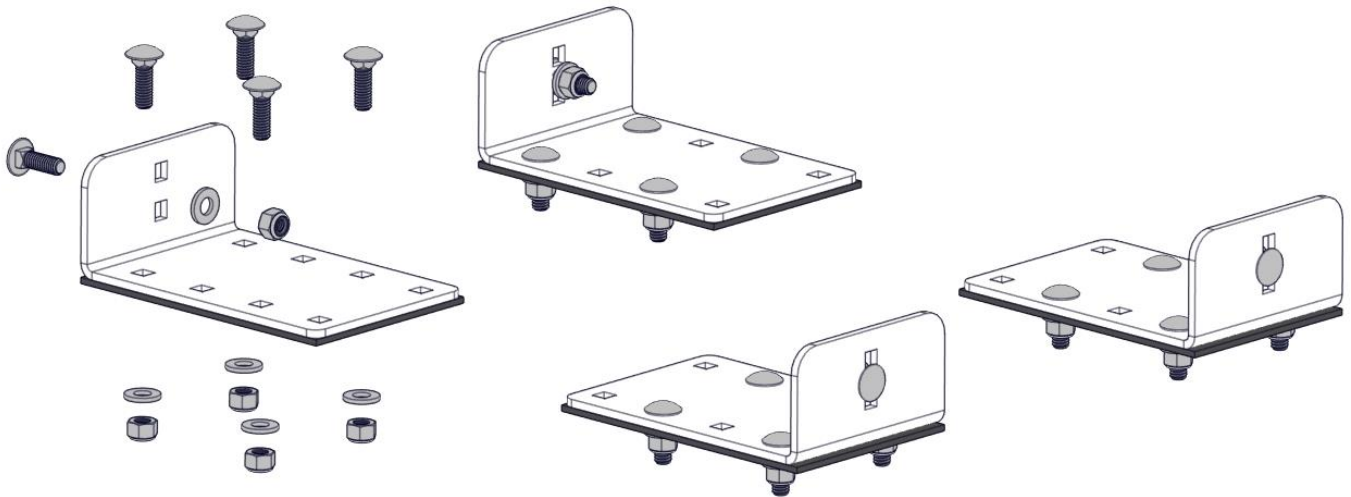

KARGO MASTER®

WE PUT EVERYTHING WITHIN REACH.

Installation Guide

408SC



***PLEASE READ ALL INSTRUCTIONS AND WARNINGS PRIOR TO ASSEMBLING,
INSTALLING, AND USING THIS PRODUCT***

Warning



Always check for wires, fuel tanks and lines, brake lines and other important vehicle functionality items prior to drilling and installing all products.

Tools Needed

.340" Drill	1/2" Socket and Wrench

Table of Contents

Parts List 2

Hardware List 2

Step 1 – Foot Attachment 3

Step 2 – Attach Mounts to Feet 4

Step 3 – Place Rack on Shell 5

Step 4 – Remove Rack and Drill 6

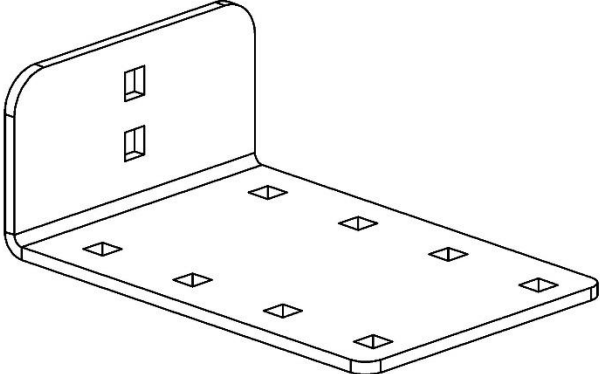
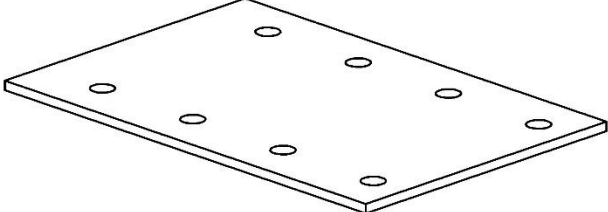
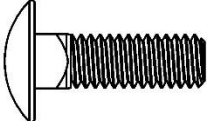
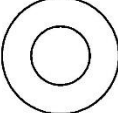

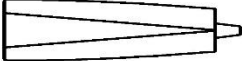
Step 5 – Install Feet Mounts 6

Step 6 – Mount Rack..... 7

Before You Begin

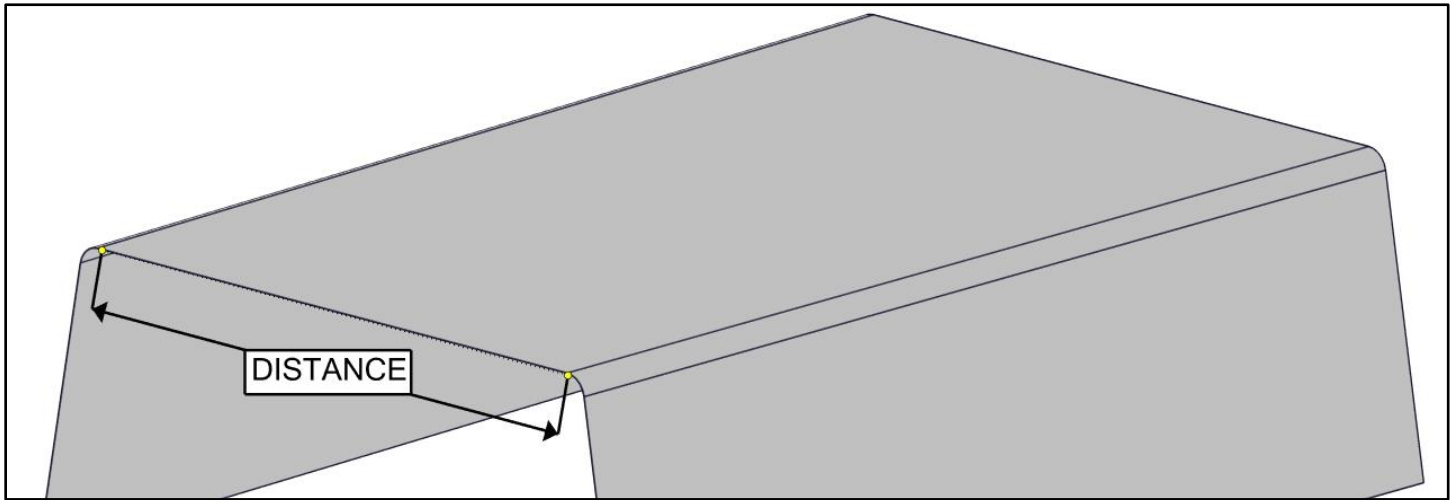
- Read all instructions.
- Have desired ladder rack ready to be installed.
- Do NOT exceed manufacturers weight capacity.

Parts/Hardware

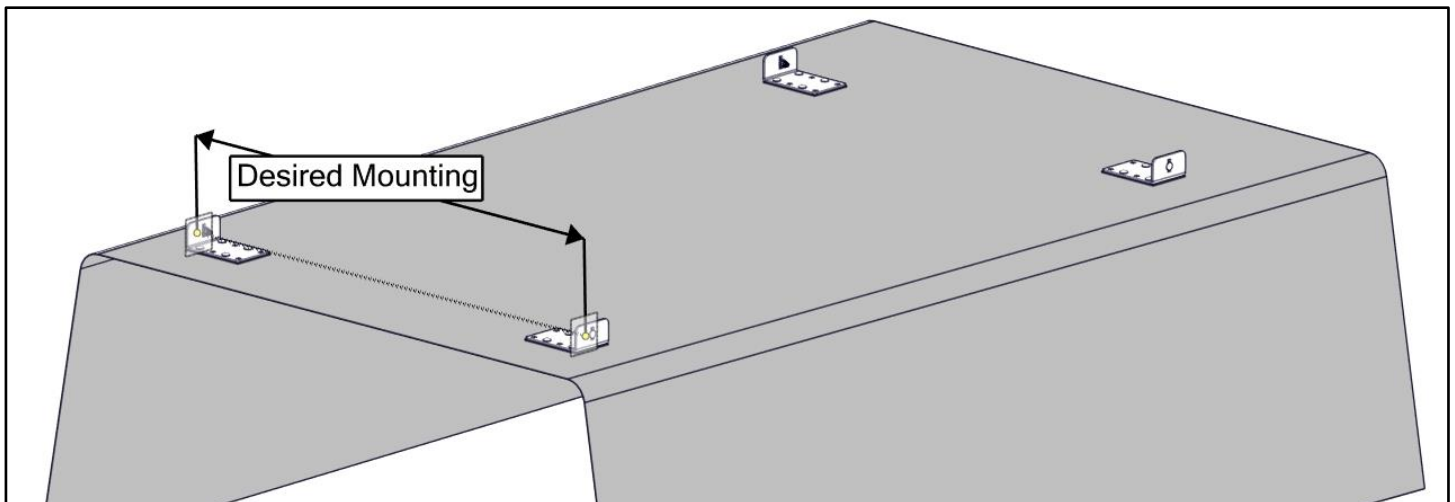
ITEM NO.		PART NUMBER	DESCRIPTION	QTY.
1		4ADCU-00-001	MOUNT BRACKET, DCU, CAP	4
2		4ADCU-00-002	DCU-CAP-Rubber Pad	4
3		90185A583	5/16-18 x 1 Carriage Bolt	20
4		96659A107	5/16 Flat Washer	20
5		95615A160	5/16-18 Nyloc Nut	20
		BH-821	SEALANT	1

Step 1 – Foot Attachment

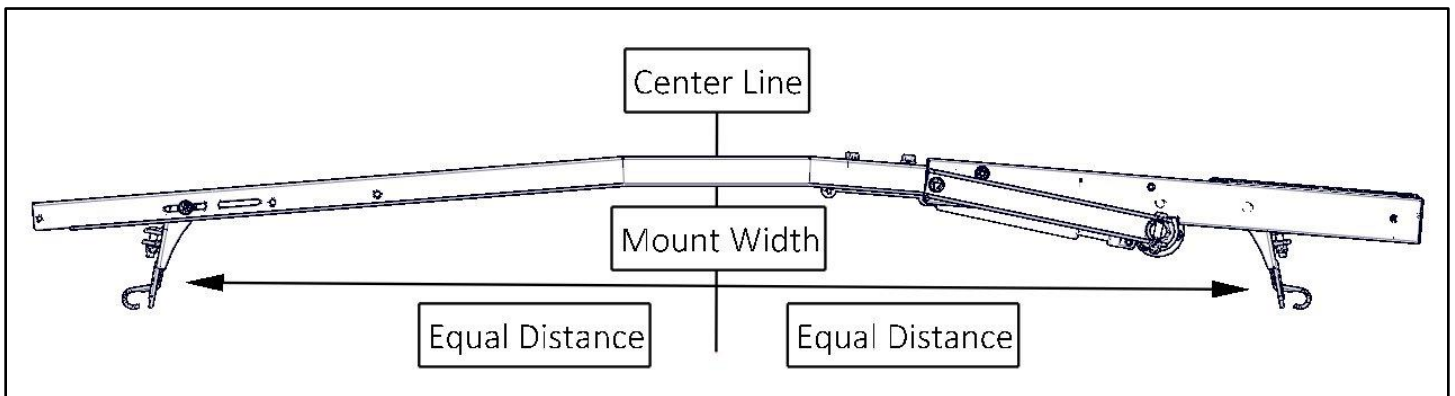
- Measure the approximate width of the flat section of the roof on the top of the shell.



- Determine best mount locations on top of the shell and measure distance between the desired mounting locations.



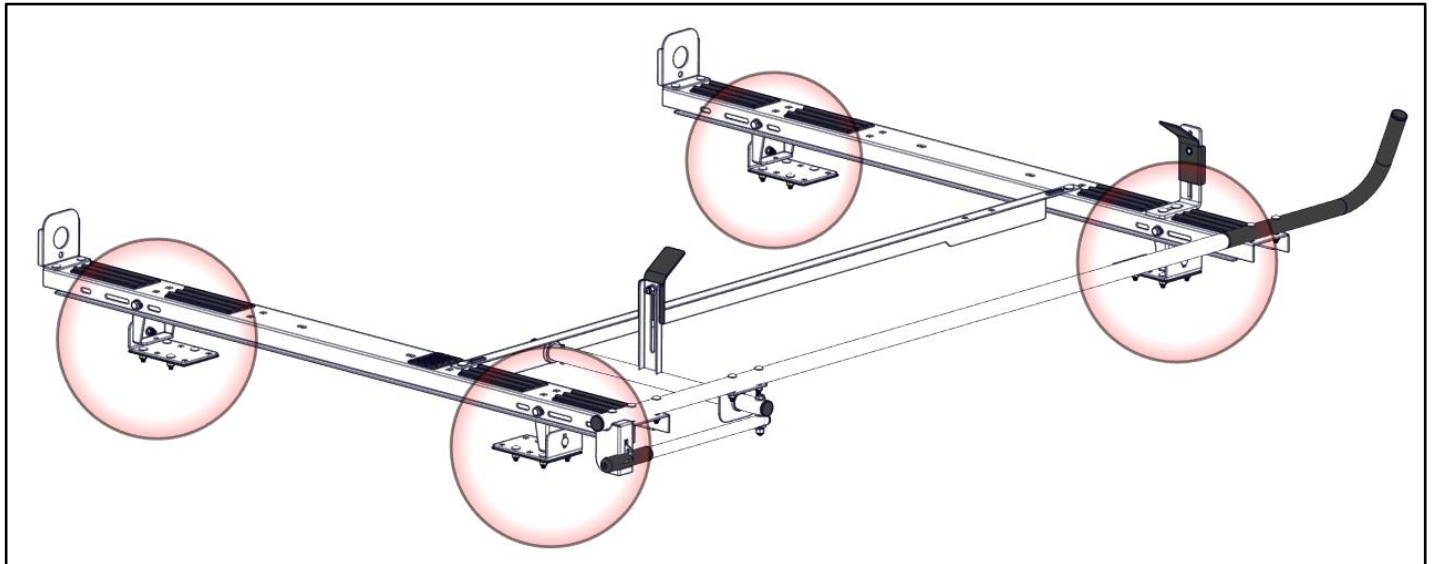
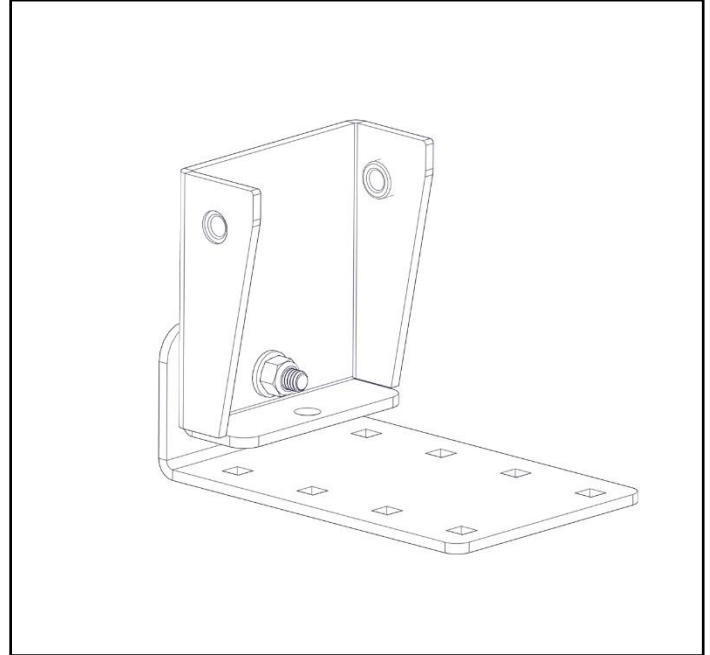
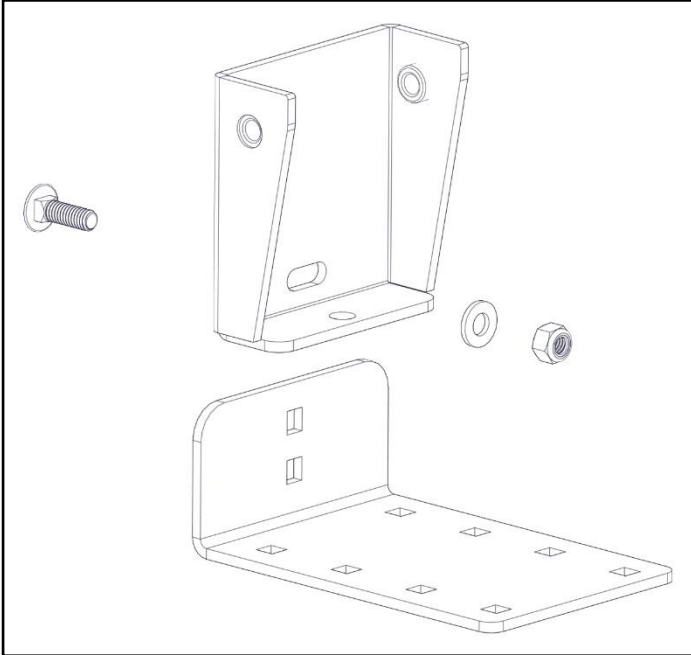
- At the width desired, find the corresponding slots on the ladder rack cross bow and attach mounting feet as shown.



- Be sure there is an equal distance from the center of the cross bow to each foot.
- Leave feet loose until you set the assembly onto the vehicle.

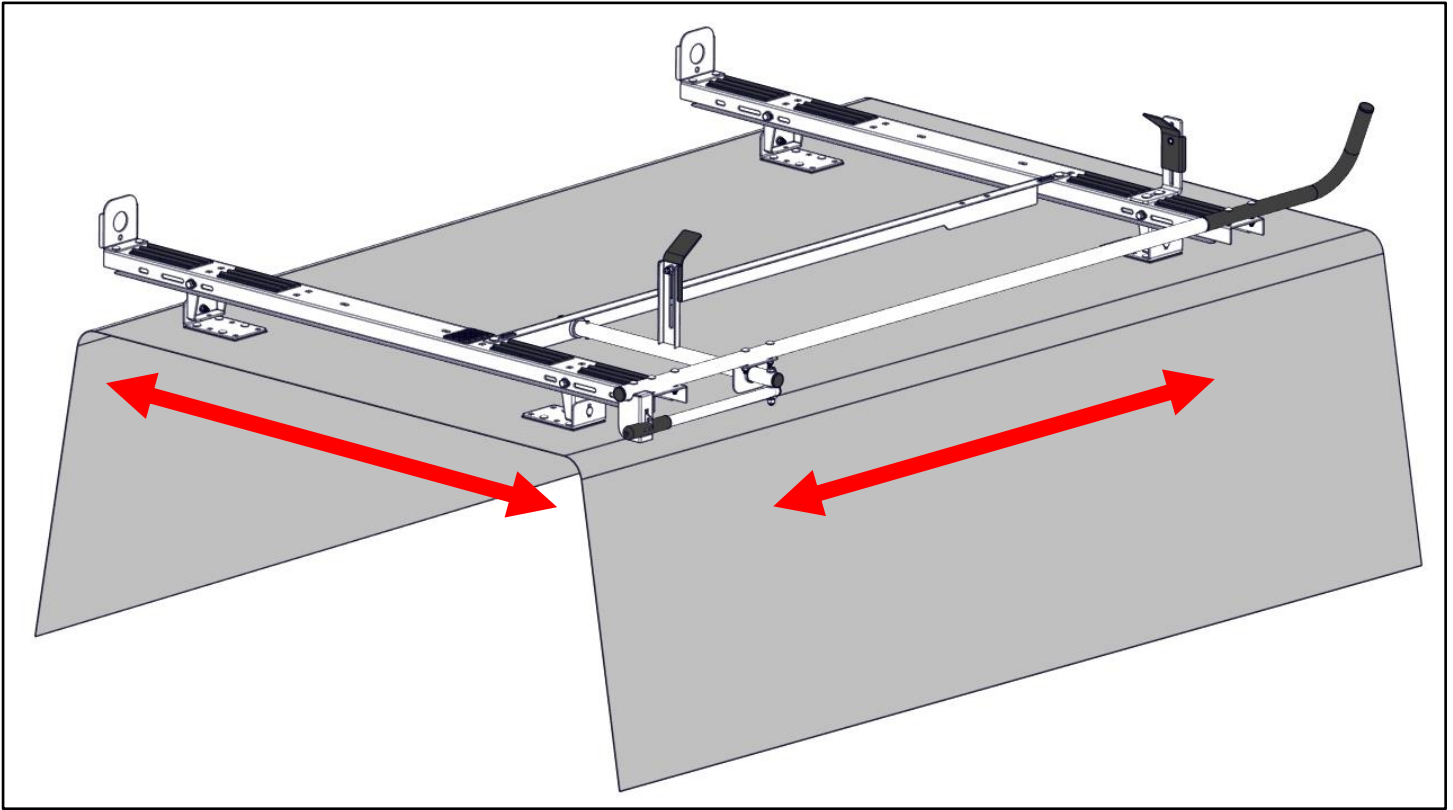
Step 2 – Attach Mounts to Feet

- Attach feet on ladder rack to the mounting brackets from the 408SC kit using 5/16" x 1" carriage bolts, 5/16" flat washers and 5/16" nyloc nuts.
- Repeat at all four mount feet.
- Do NOT tighten. These will be removed in future steps.

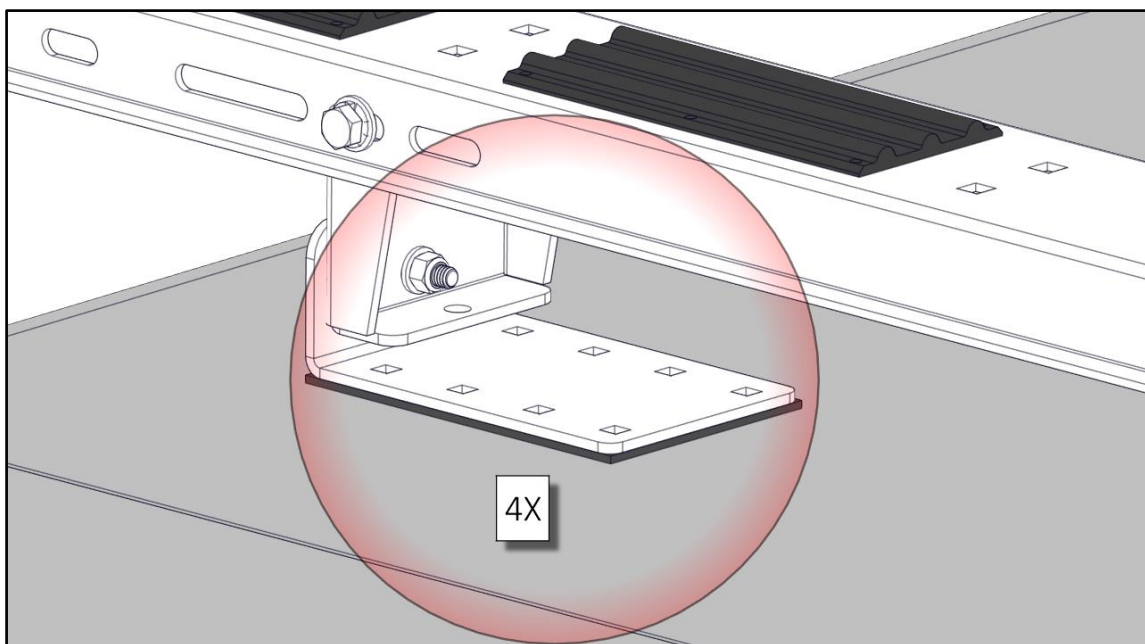


Step 3 – Place Rack on Shell

- Place rack on top of shell. Position rack to your liking. Be sure the rack is off-set far enough to the rear that one will not hit the shell when loading and unloading a ladder.
- Be sure the handle can be rotated without hitting the side of the shell.



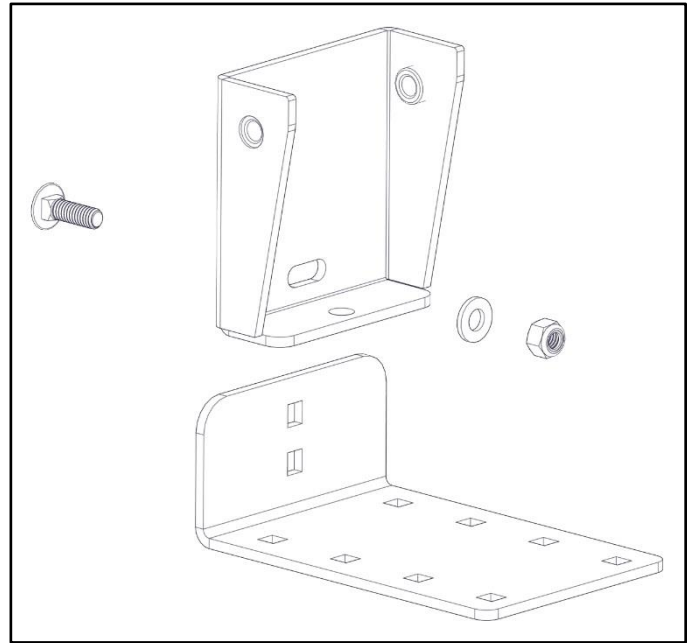
- Mark four locations at each foot mount location onto the top of the shell.



Step 4 – Remove Rack and Drill

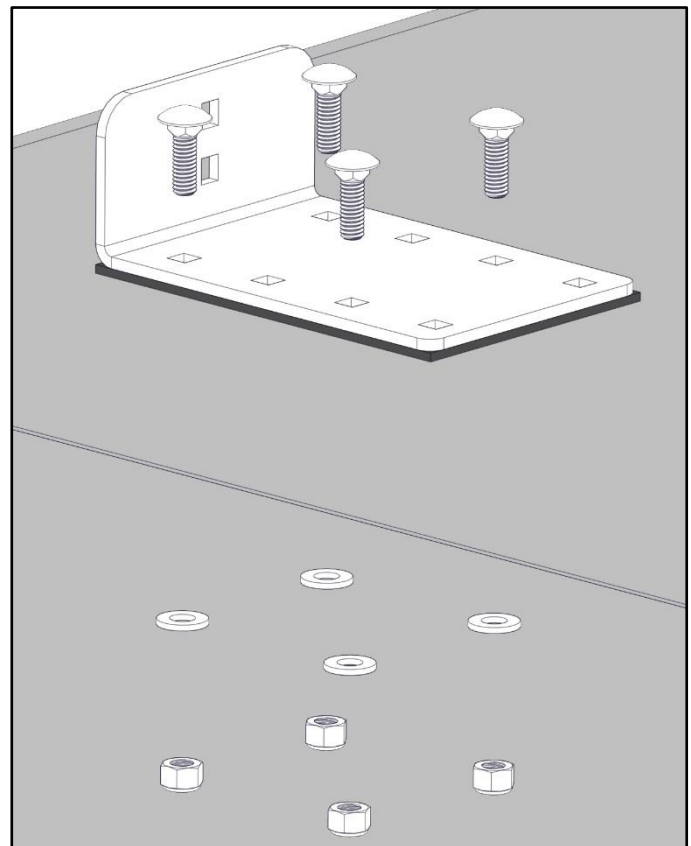
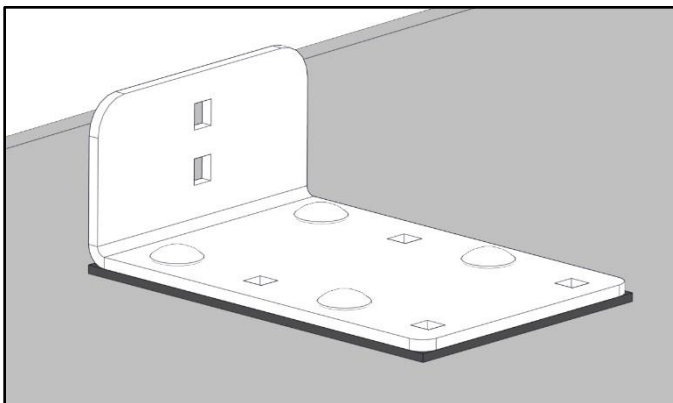
- Remove rack with feet and mounts from the top of the shell.
- Drill in previously marked holes using a .340" bit.
- Ensure safety when drilling.

- Remove rack and feet from the feet mounts.



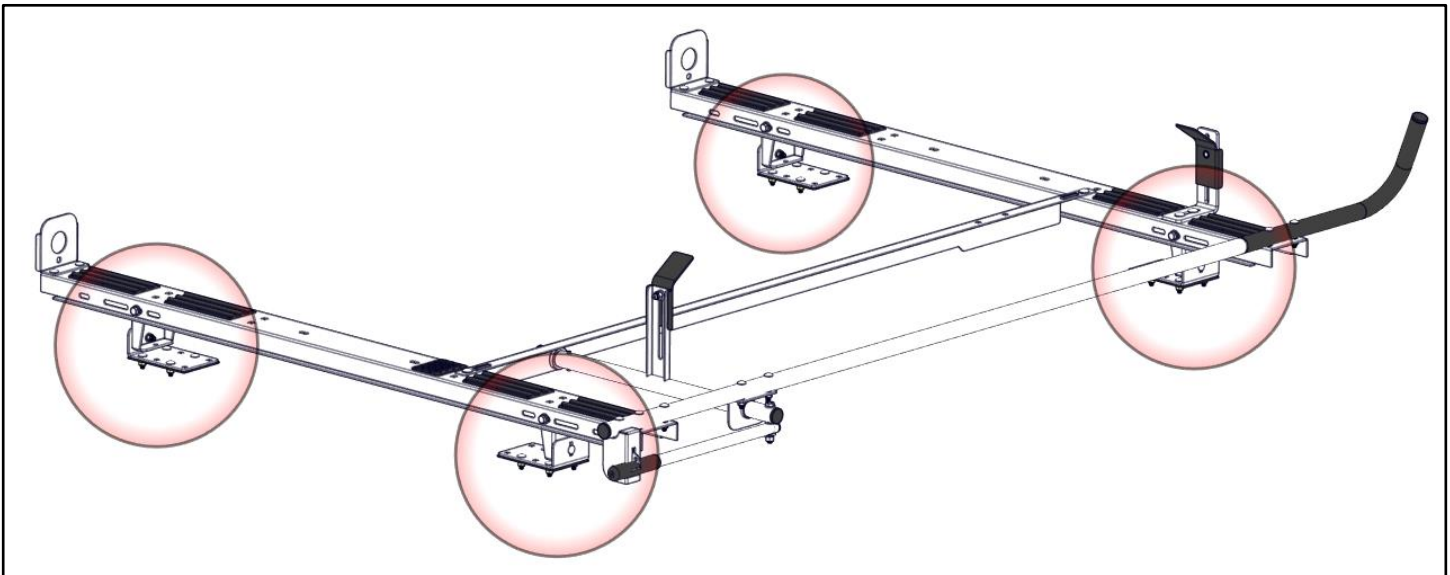
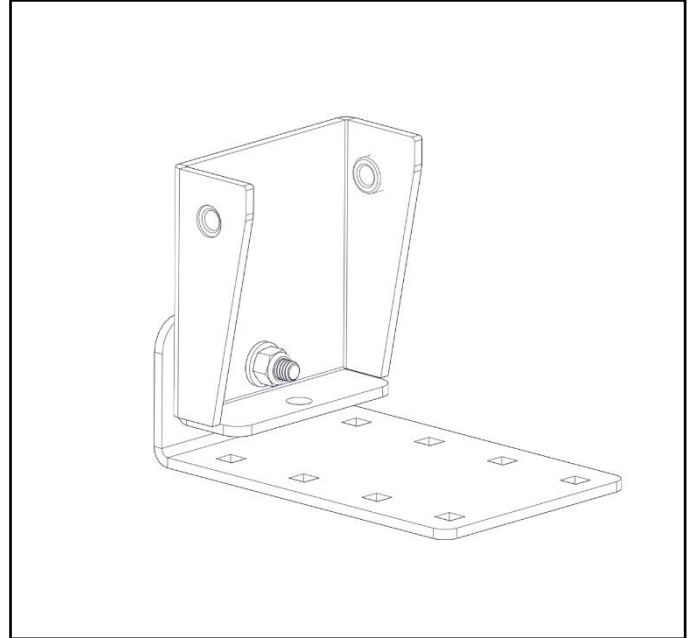
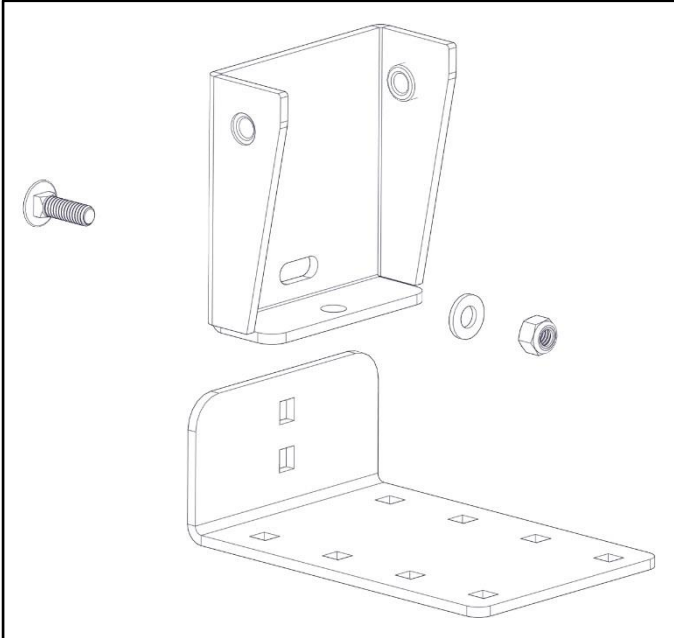
Step 5 – Mount Feet Mounts

- Mount feet mounts to the shell through the previously drilled holes using 5/16" x 1" carriage bolts, 5/16" flat washers and 5/16" nyloc nuts.
- Be sure rubber pad is between shell and mount bracket. Apply a generous amount of sealant around the holes drilled in the shell.
- Place sealant around hardware to ensure no water and leak into shell.
- Snug Tighten, but allow movement.



Step 6 – Mount Rack

- Place rack on top of previously installed feet mounts.
- Attach feet on ladder rack to the mounting brackets from the 408SC kit using 5/16" x 1" carriage bolts, 5/16" flat washers and 5/16" nyloc nuts.
- Repeat at all four mount feet.



- Align and square rack on the shell.
- TIGHTEN.
- Go back and tighten hardware from step 5.

GO BACK AND ENSURE ALL HARDWARE IS TIGHT

Your installation is now complete.

