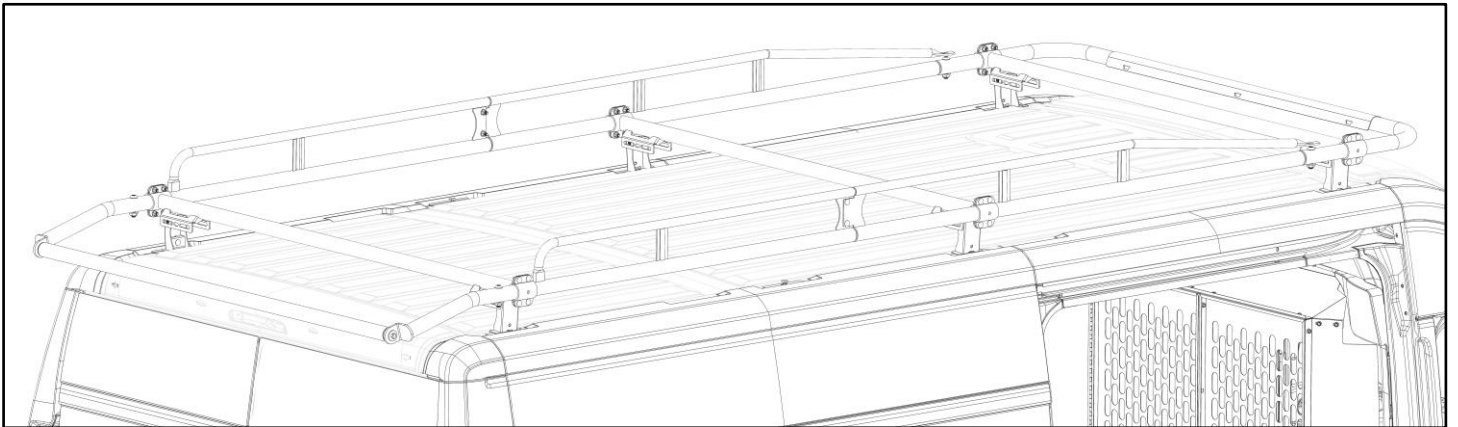

KARGO MASTER[®]

WE PUT EVERYTHING WITHIN REACH.

4081P Instructions



***PLEASE READ ALL INSTRUCTIONS AND WARNINGS PRIOR TO ASSEMBLING,
INSTALLING, AND USING THIS PRODUCT***

Warning



Always check for wires, fuel tanks and lines, brake lines and other important vehicle functionality items prior to drilling and installing all products.

Tools Needed

1/2" Socket and Wrench	9/16" Socket and Wrench
Tape Measure	

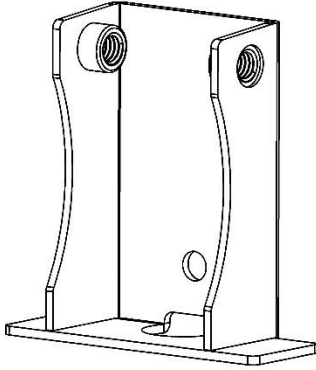
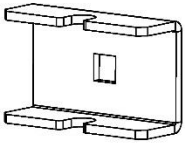
Table of Contents

Parts List 2
Hardware List 2
Step 1 – Find Mount Locations 3
Step 2 – Install Feet 4
Step 3 – Measure distance between feet 5

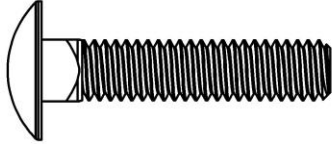
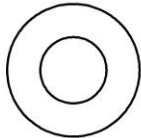

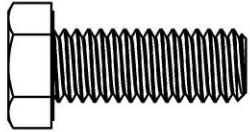
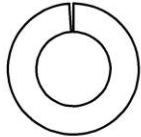
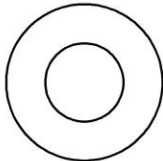
Before You Begin

- Read all instructions.
 - Use these instructions along with the assembly instructions found with the rack to complete installation
 - The 3/8" hardware will be used when installing the rack to the feet.
-

Parts

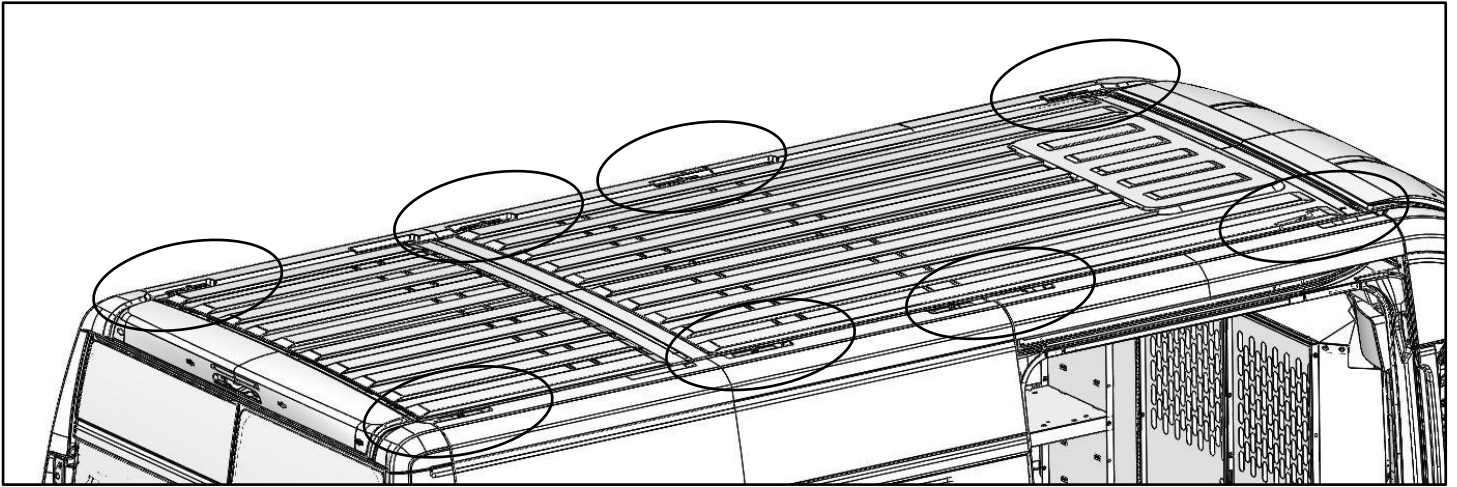
ITEM NO.		PART NUMBER	DESCRIPTION	QTY.
A		4089A-P0-004	Aluminum Foot	6
B		4089A-P0-002	Transit and Sprinter Mount Bracket	6
		18-4089P	HARDWARE	1

Hardware 18-4089P

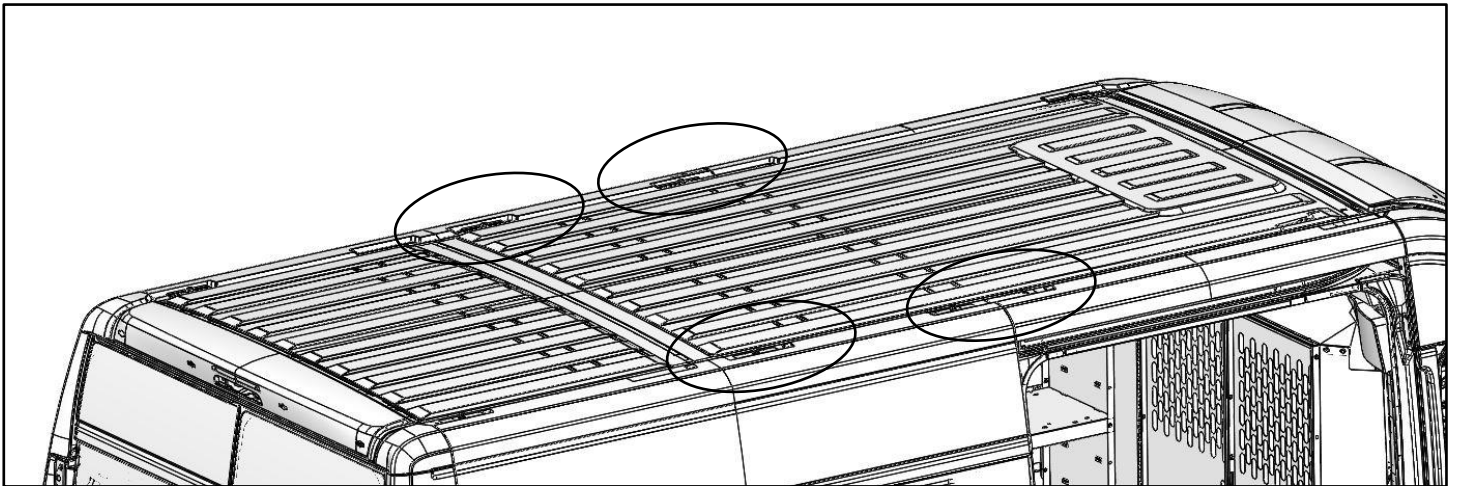
ITEM NO.	TO SCALE	DESCRIPTION	PART NUMBER	QTY.
1		5/16"-18 x 1-1/2" Carriage Bolt	92356A587	6
2		5/16" Flat Washer	90126A030	6
3		5/16" Nyloc	95615A160	6
4		3/8"-16 x 1" Hex Head	92240A622	12
5		3/8" Split Lock Washer	92146A031	12
6		3/8" Flat Washer	90126A031	12

Step 1 – Find Mount Locations on Roof of Van

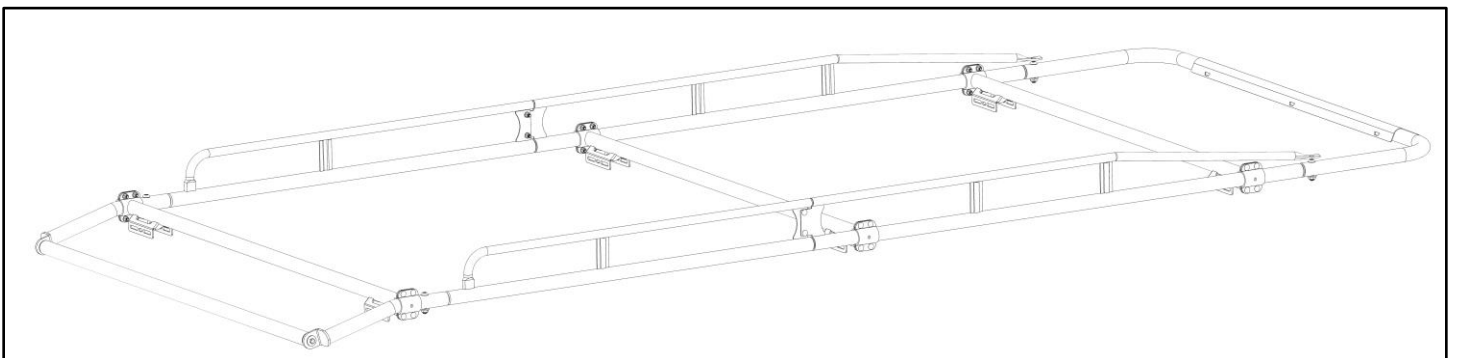
- Locate the mounting studs on the roof of the van. There will be studs protruding on both sides. The front and the rear most studs will be used in all applications.



- Determine the most desired middle cross bar on the ladder rack and choose a stud from the middle four studs. The four middle studs are shown below.



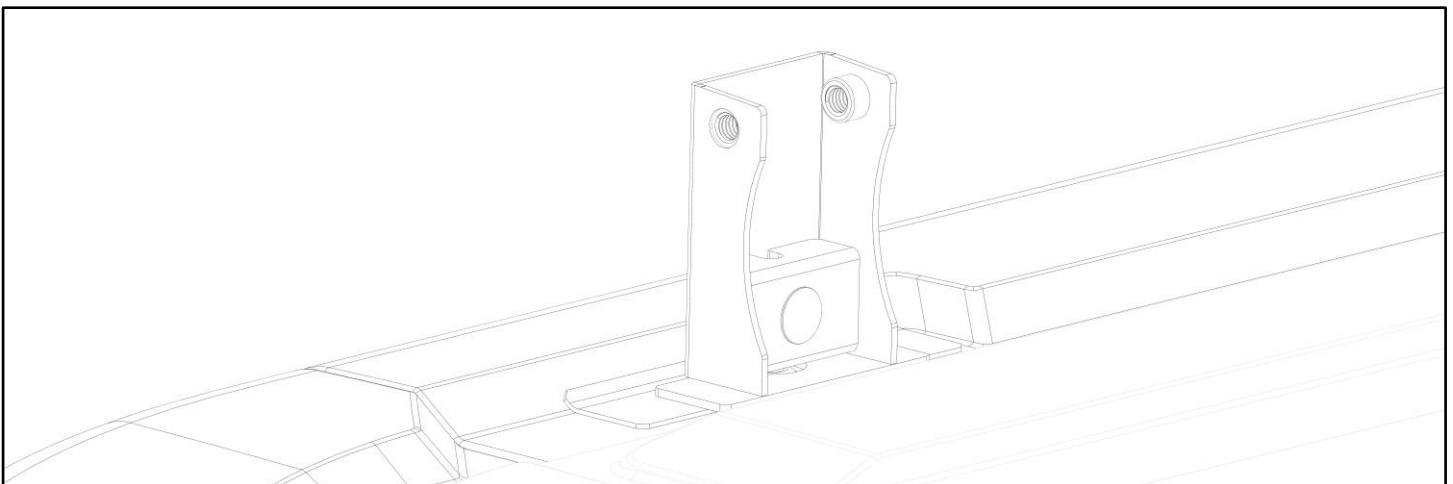
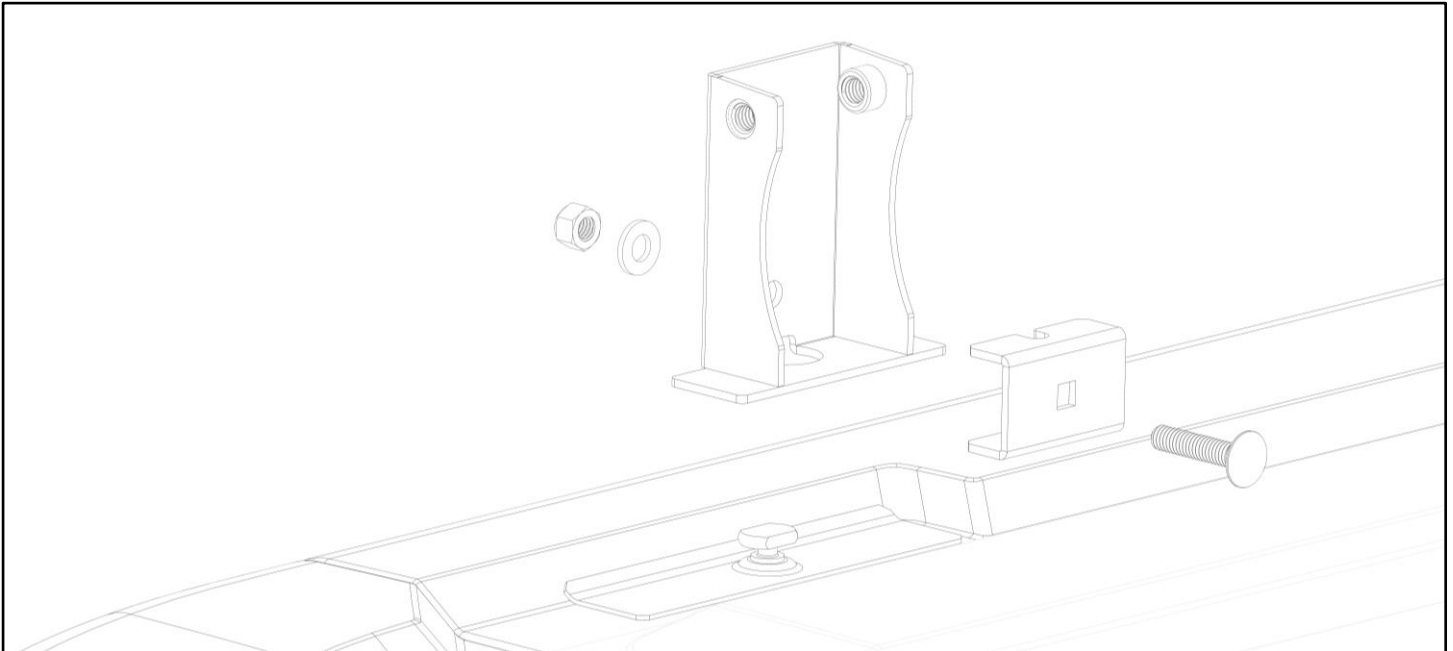
- An example location for the center crossmember is shown below. This location uses the front-most studs from the four shown above.



****These pictures show on a 159" wheel base, high roof van****

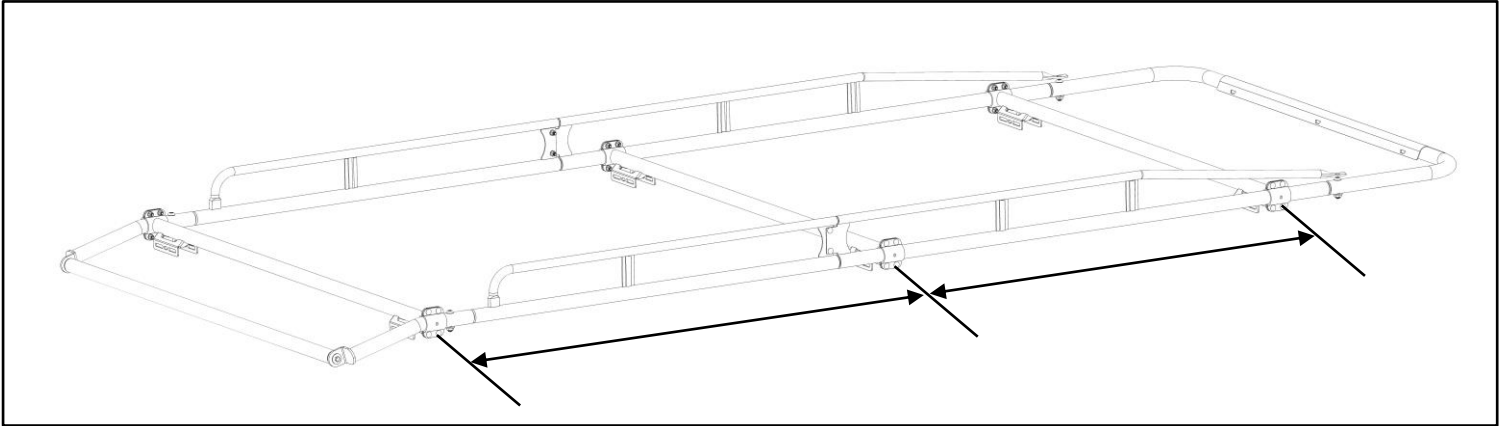
Step 2 – Install Feet

- Place foot and mount bracket over the stud protruding from the roof in the orientation shown.
- Bolt through the foot and the mount bracket using 5/16" x 1-1/2" carriage bolt, one 5/16" flat washer and a 5/16" nyloc as shown.
- Snug tighten, but allow movement until rack is placed onto feet.
- DO NOT OVER TIGHTEN
- Repeat for a total of 6x.



Step 3 – Measure distance between feet

- Measure the distance between the feet mounted in the previous step.
- Write these dimensions down to assist when assembling the rack. When assembling the rack, place the crossbars using the distance measured to try and get the crossbars to align with the feet.



Follow rack assembly and installation guide to complete the installation.