

---

# **KARGO MASTER<sup>®</sup>**

**WE PUT EVERYTHING WITHIN REACH.**

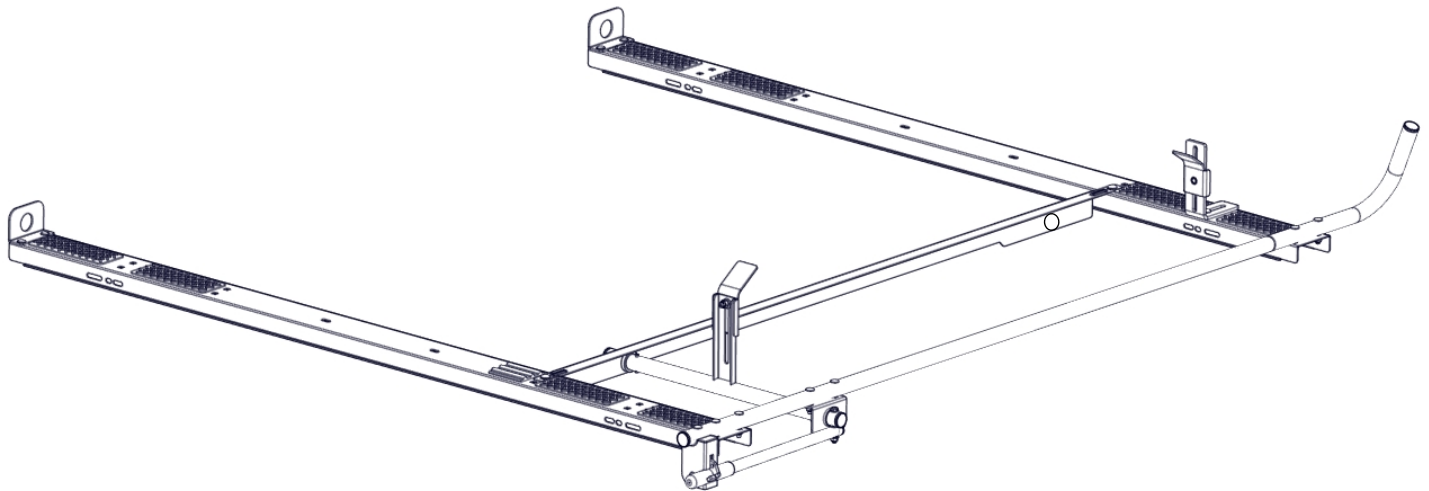
---

## Instruction Guide

---

4082L

---



---

**\*PLEASE READ ALL INSTRUCTIONS AND WARNINGS PRIOR TO ASSEMBLING,  
INSTALLING, AND USING THIS PRODUCT\***

---

## Warning



Always check for wires, fuel tanks and lines, brake lines and other important vehicle functionality items prior to drilling and installing all products.

---

## Tools Needed

9/16" Socket and Wrench	1/2" Socket and Wrench
-------------------------	------------------------

---

## Table of Contents


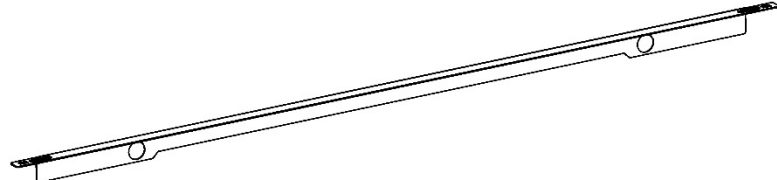
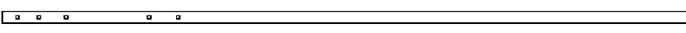

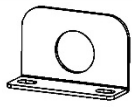
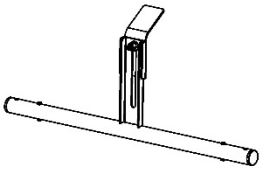
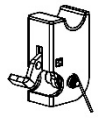
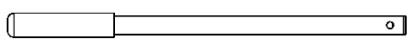
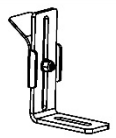
Parts List .....	2
Assembly Hardware .....	3
Rack Assembly	
Step 1 – Ladder Stops .....	4
Step 2 – Mount to Feet .....	4
Step 3 – Mount Side Tube .....	5
Step 4 – Mount Clamp Tube .....	6
Step 5 – Mount Handle .....	7
Step 6 – Mount Latch Assembly .....	8
Step 7 – Mount Ladder Hook .....	8

---

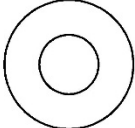
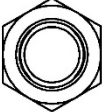
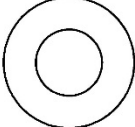
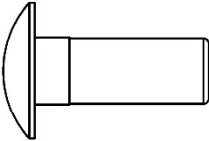
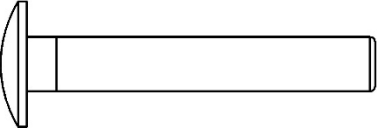
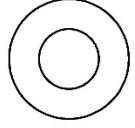

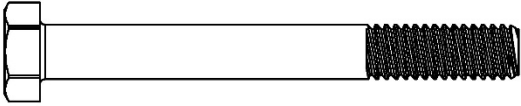

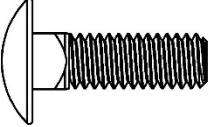
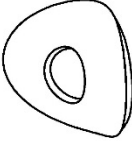
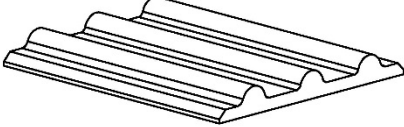
## Before You Begin

- Read all instructions. Find your vehicle roof rail mounting prior to rack assembly.
- Most times it is easier to install on top of roof, after the mount kit has been installed.
- Be sure to put E6000 sealant around all threads entering cargo area and between the rubber spacer and roof of vehicle to prevent water from leaking into cargo area.
- **DO NOT EXCEED MANUFACTURERS WEIGHT CAPACITY FOR ROOF**

Parts

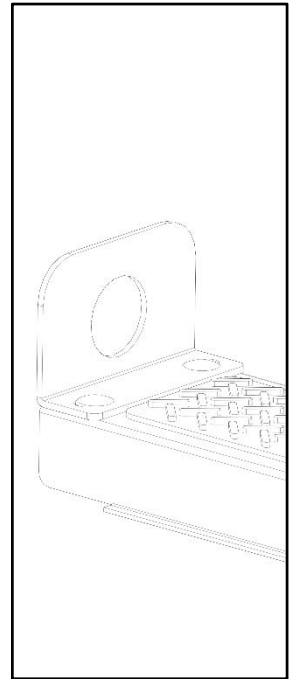
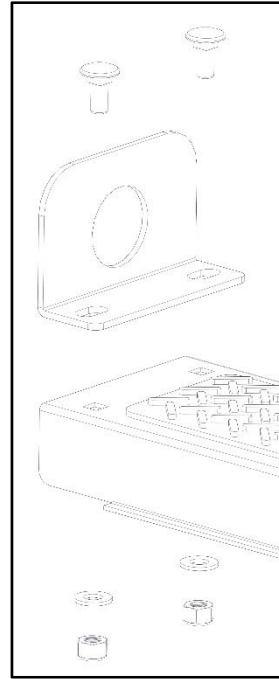
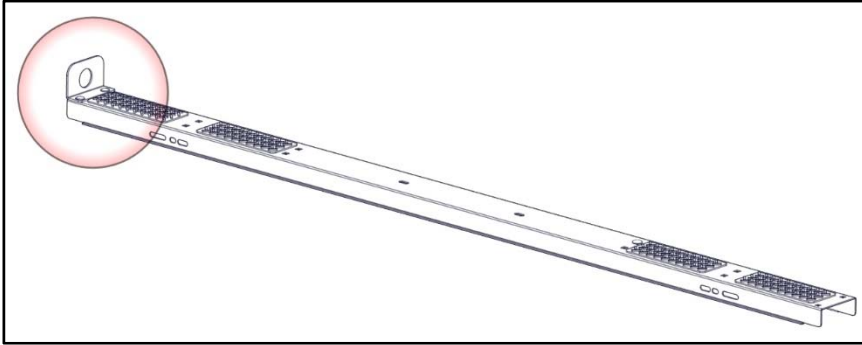
ITEM NO.		PART NUMBER	DESCRIPTION	QTY.
A		4090L-10-001	BOW W/ PADS	2
B		11-03005-R2	LONG ANGLE BRK	1
C		40800-50-001	PS TUBE	1
D		40800-50-002-R1-R	PS BEND TUBE	1
E		11-03027	ANGLE BRK	3
F		13-03007-R1	PIVOT LADDER CLAMP ASM	1
G		40813-44	HANDLE CLAMP ASM	1
H		13-03008-R2	HANDLE ASM	1
J		13-03009	LADDER CLAMP ASM	1
		18-4820L	MOUNT HARDWARE	1

Hardware (18-40800)

ITEM NO.	TO SCALE	PART NUMBER	DESCRIPTION	QTY.
1		90295A160	.06x.34x.75 Nylon Washer	2
2		.375-16 NYLOC	3/8-16 Nyloc Nut	3
3		.375 FLAT WASHER	3/8 Flat Washer	3
4		.375-16 x 1 Carriage	3/8-16x1 Carriage Bolt	3
5		.312-18x2.0 CARRIAGE BOLT	5/16-18x2.0 Carriage Bolt	7
6		96659A107	5/16 FLAT WASHER	12
7		91831A030	5/16 NYLOC	12
8		.312-18 X 2.75 HEX BOLT	5/16-18x2 3/4 Hex Bolt	1
9		40800-10-007	PLASTIC BUSHING 1:2 SCALE	2
10		90185A583	5/16 x 1 CARRIAGE	4
11		91844A230	5/16 CONTOUR WASHER	1
12		Extra Rubber Pad	1:2 SCALE	1

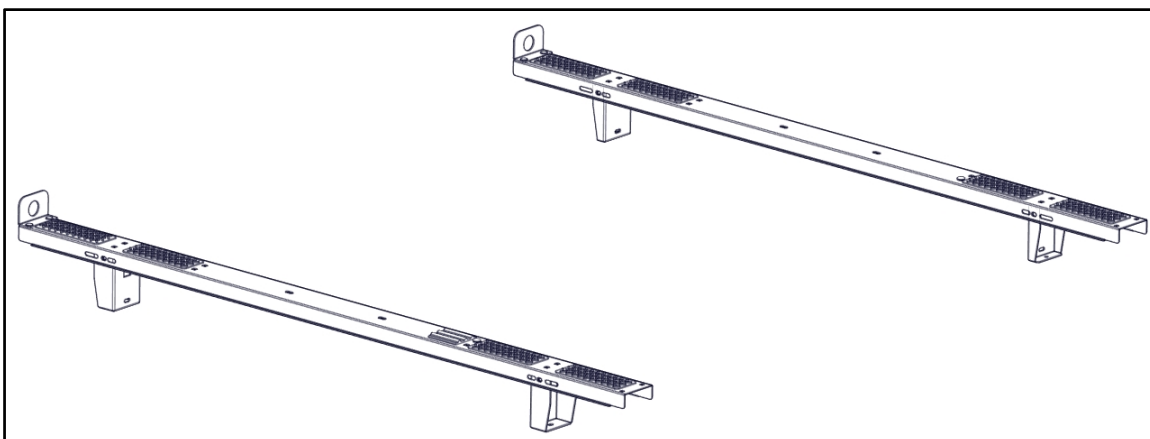
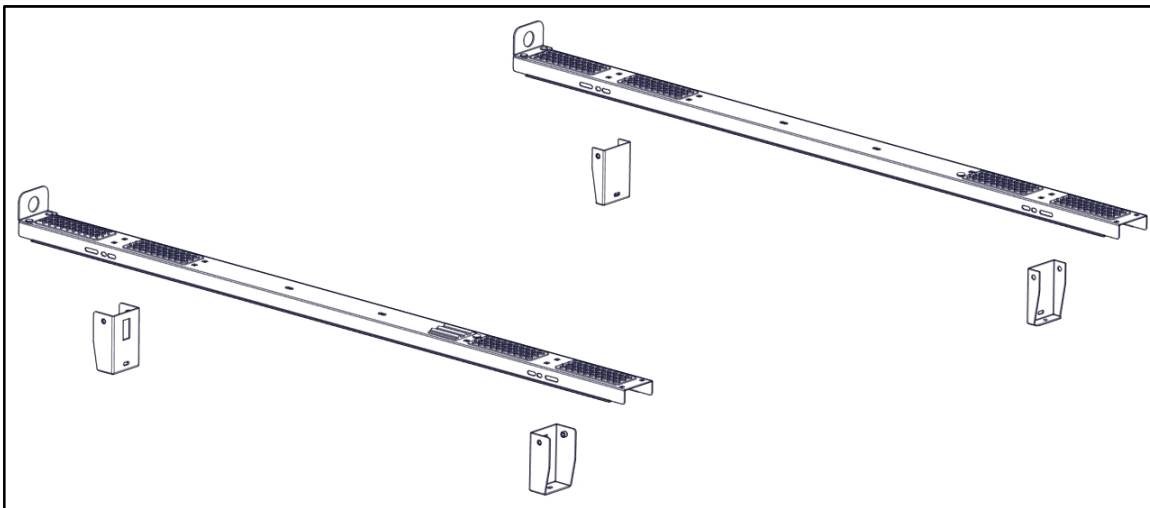
### Step 1 – Ladder Stops

- Bolt ladder hooks to one end of each bow.
- Use a 5/16" carriage bolt, 5/16" washers and a 5/16" nylock.
- TIGHTEN. Skip if adding 4081L.



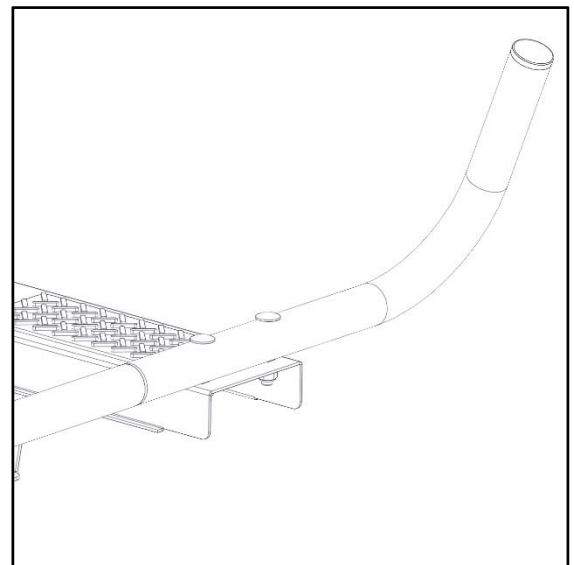
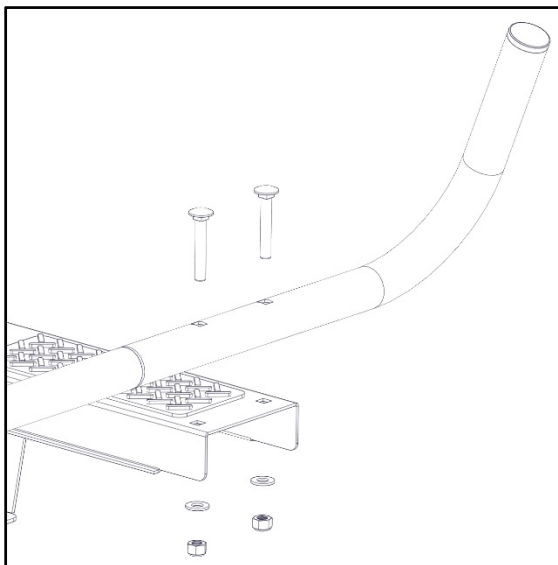
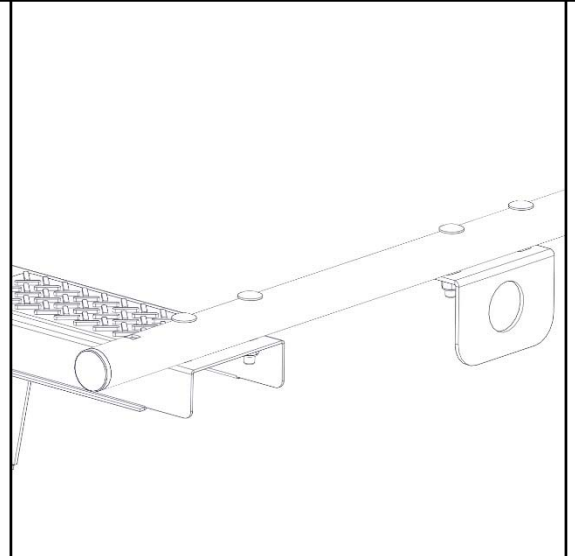
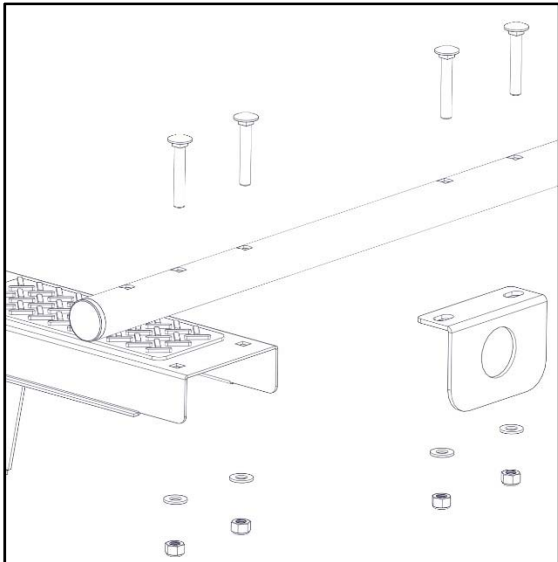
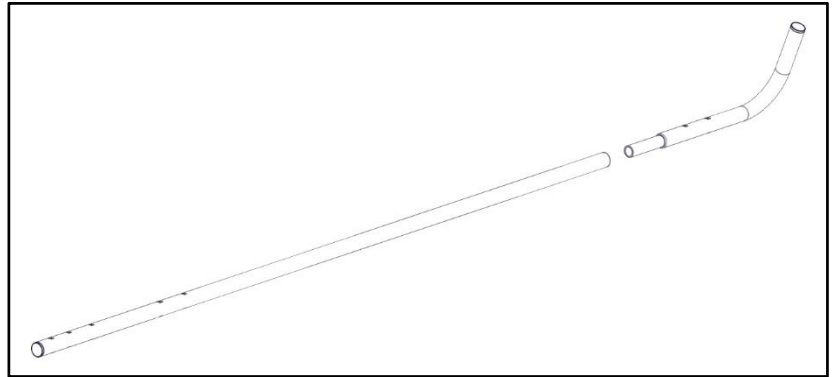
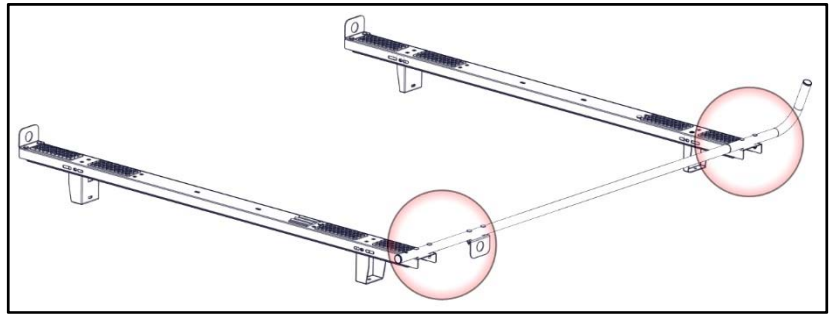
### Step 2 – Bows to Feet

- Place both bows on top of installed rails. Bolt feet to rails. Use hardware from mount kits.
- Put the ladder hooks on the driver side of vehicle.
- Snug Tighten, but allow movement.



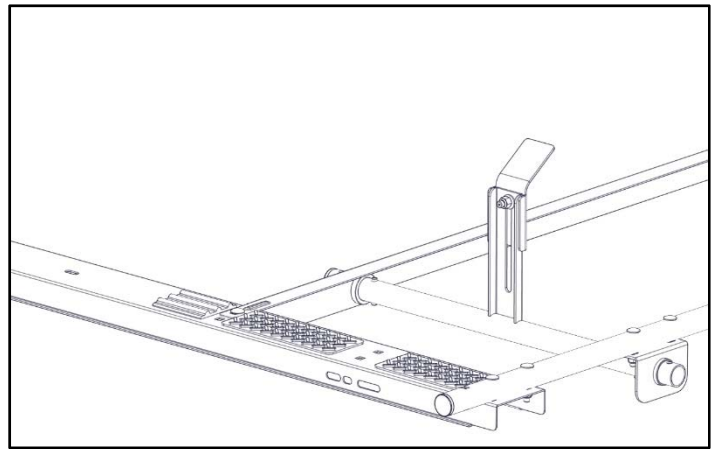
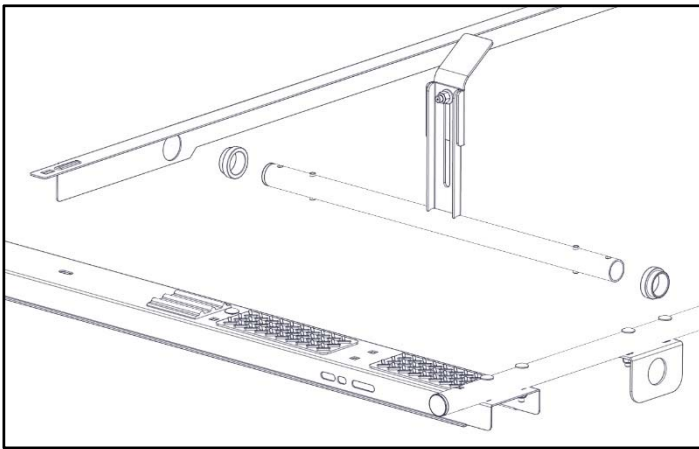
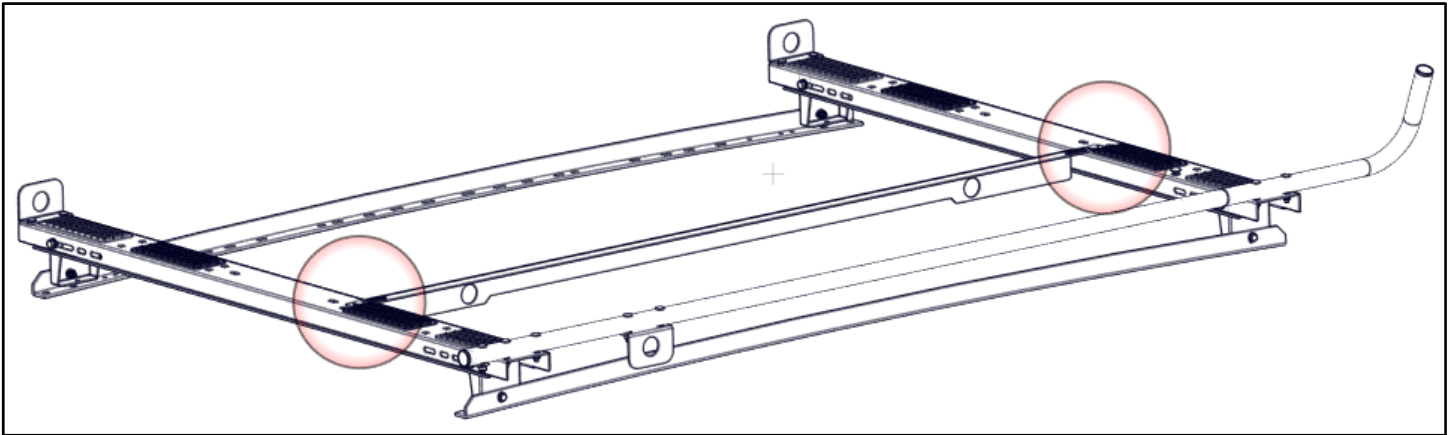
### Step 3 – Mount Side Tube

- Place side tube on top of installed bows.
- Have the bend towards the front and to the outside of the vehicle as shown.
- Mount rotation bar plate to the rear of the tube as shown.
- Leave one square slot open at the rear of the side tube.
- Bolt together using 5/16" x 1-3/4" carriage bolt, a 5/16" flat washer and a 5/16" nyloc.
- Snug Tighten, but allow movement.

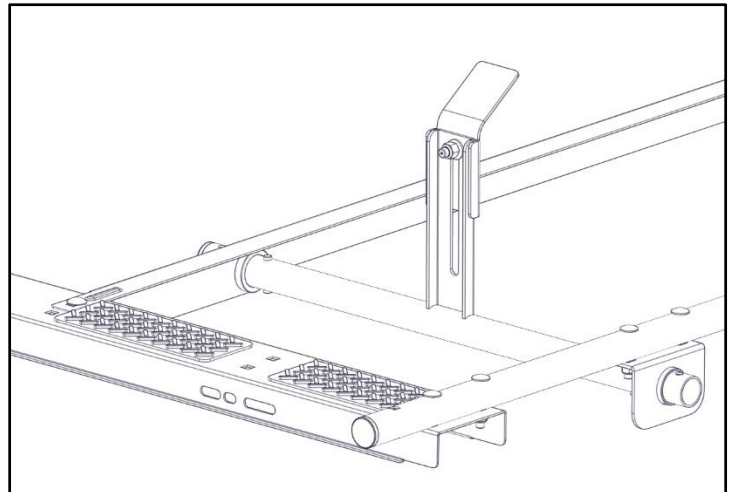
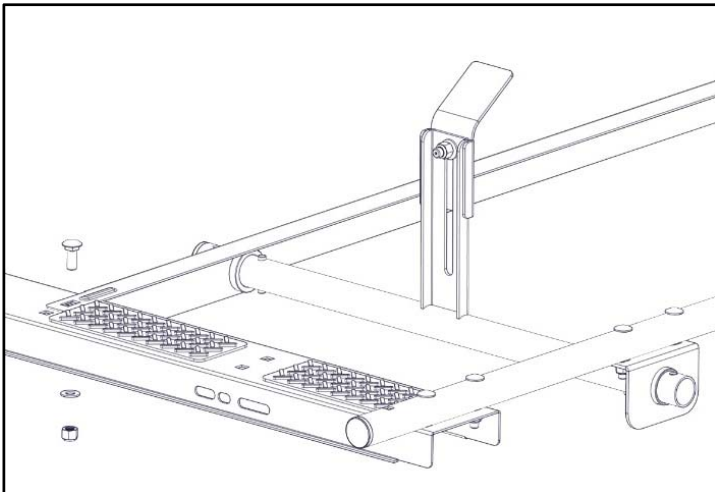


### Step 4 – Mount Clamp Tube

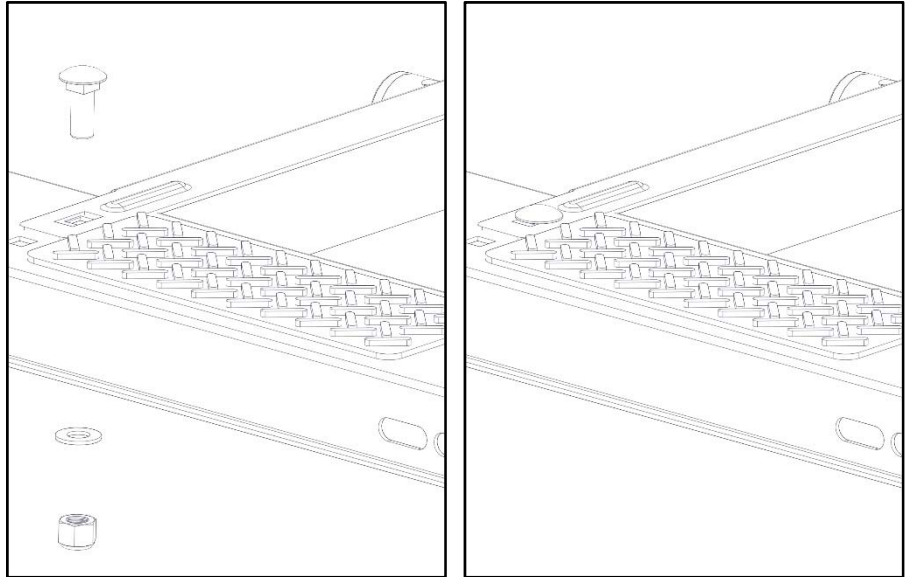
- Place clamp and lock L bracket on top of installed bows.
- Insert plastic bushings into the clamp and lock L bracket and the rotation bar plate installed in Step 3, with flange towards each other and to the inside as shown.



- Insert clamp tube into both plastic bushings.
- Adjust clamp on clamp tube to fit firmly against your ladder.

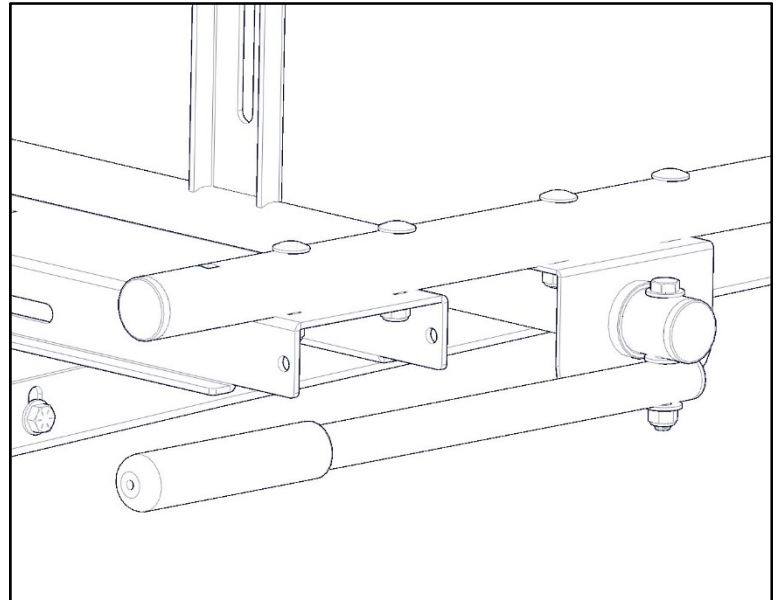
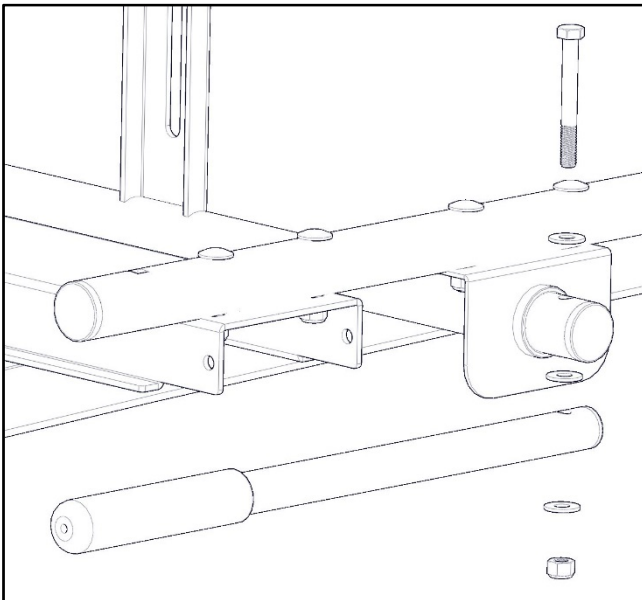


- Bolt clamp and lock L bracket to bows using 3/8" x 1" carriage bolt, 3/8" flat washer and a 3/8" nyloc as shown. (This view shown without clamp tube)
- TIGHTEN



### Step 5 – Mount Handle

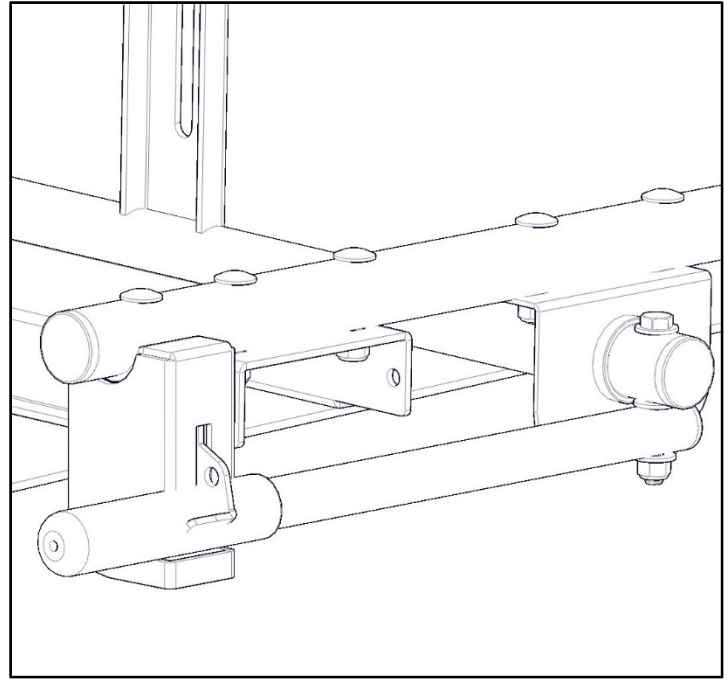
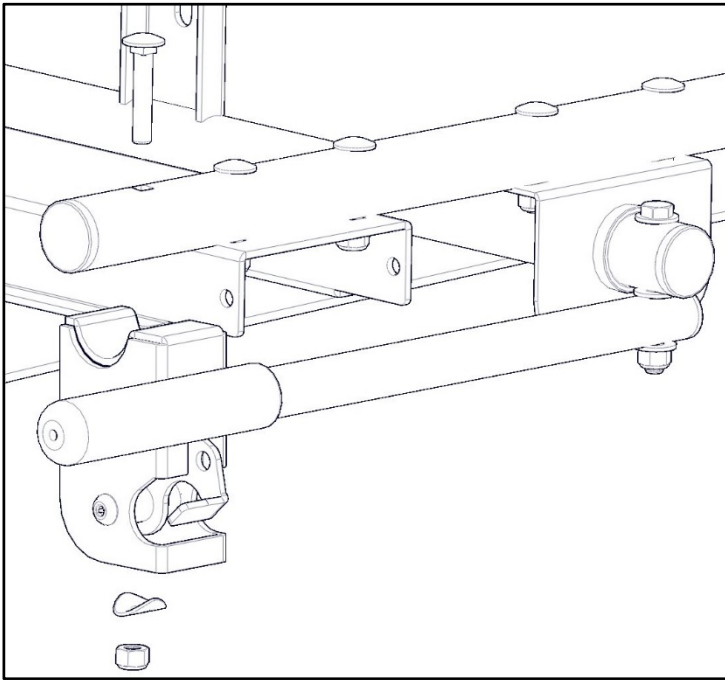
- Bolt handle to clamp tube using a 5/16" x 2-3/4" hex head, two 5/16" flat washers, 5/16" nylon washer and 5/16" a nyloc. The nylon washer goes in between the clamp tube and handle.
- TIGHTEN





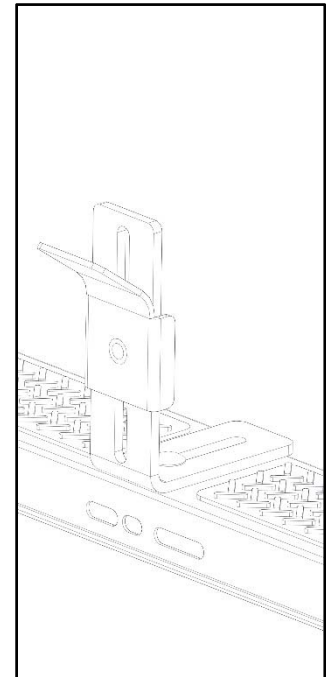
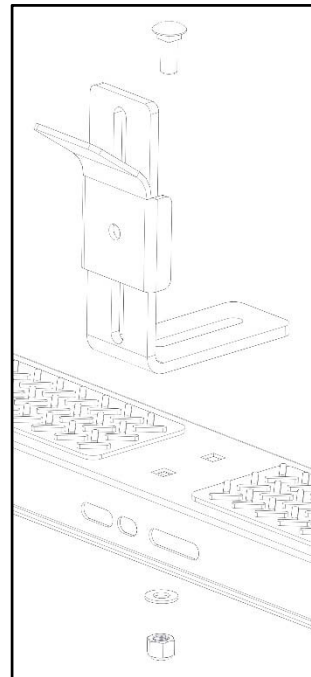
### Step 6 – Mount Latch Assembly

- Bolt latch to the rear of the mount tube that was installed in Step 5 using 5/16" x 1-3/4" carriage bolt, 5/16" curved washer and a 5/16" nyloc.
- TIGHTEN



### Step 7 – Mount Ladder Hook Bracket to Bow

- Bolt ladder hook bracket to the bow in the orientation shown using a 3/8" x 1" carriage bolt, a 3/8" flat washer and a 3/8" nyloc. Be sure the bracket is square to the bow.
- Adjust clamp on bracket to fit firmly against your ladder.
- TIGHTEN



**GO BACK AND ENSURE ALL HARDWARE IS TIGHT**  
**Your installation is now complete.**