

---

# **KARGO MASTER<sup>®</sup>**

**WE PUT EVERYTHING WITHIN REACH.**

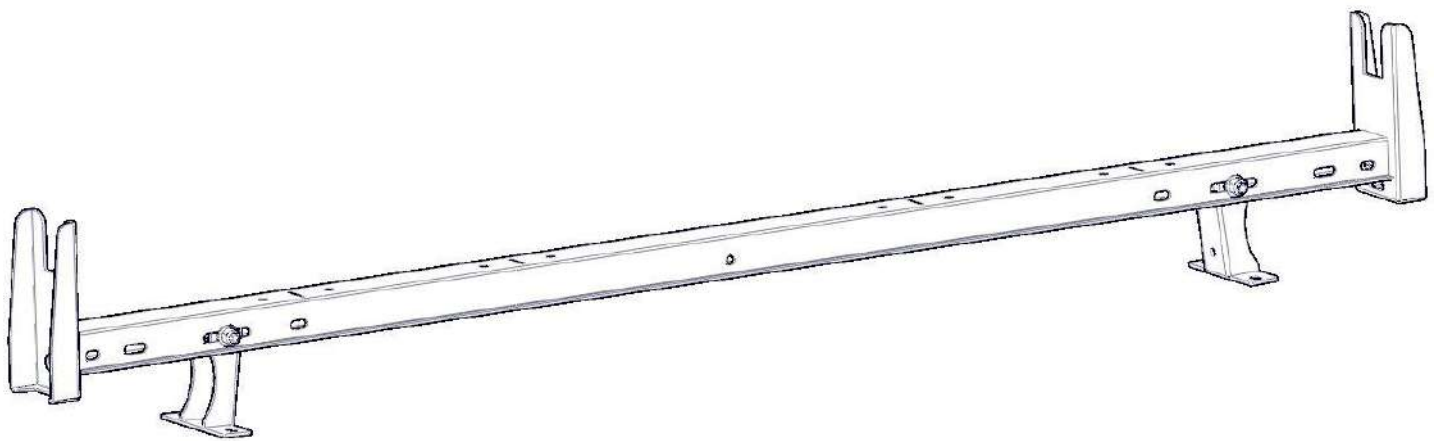
---

## Installation Instructions

---

40822

---



---

**\*PLEASE READ ALL INSTRUCTIONS AND WARNINGS PRIOR TO ASSEMBLING,  
INSTALLING, AND USING THIS PRODUCT\***

---

## Warning



Always check for wires, fuel tanks and lines, brake lines and other important vehicle functionality items prior to drilling and installing all products.

---

## Tools Needed

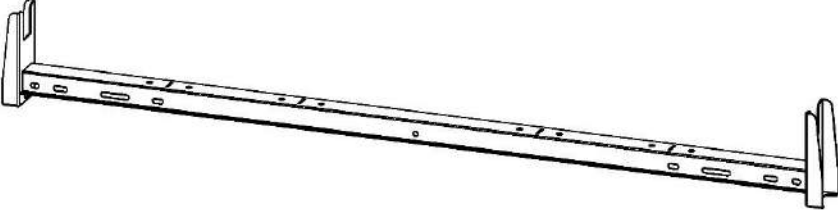
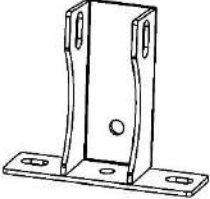
13mm Socket and Wrench	10mm Socket and Wrench
9/16" Socket and Wrench	

---

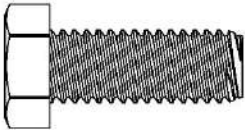

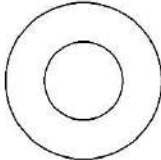
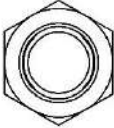

## **Before You Begin**

- Read all instructions.
- Be sure to put E6000 sealant around all threads entering cargo area and between the rubber spacer and roof of vehicle to prevent water from leaking into cargo area.

## Parts

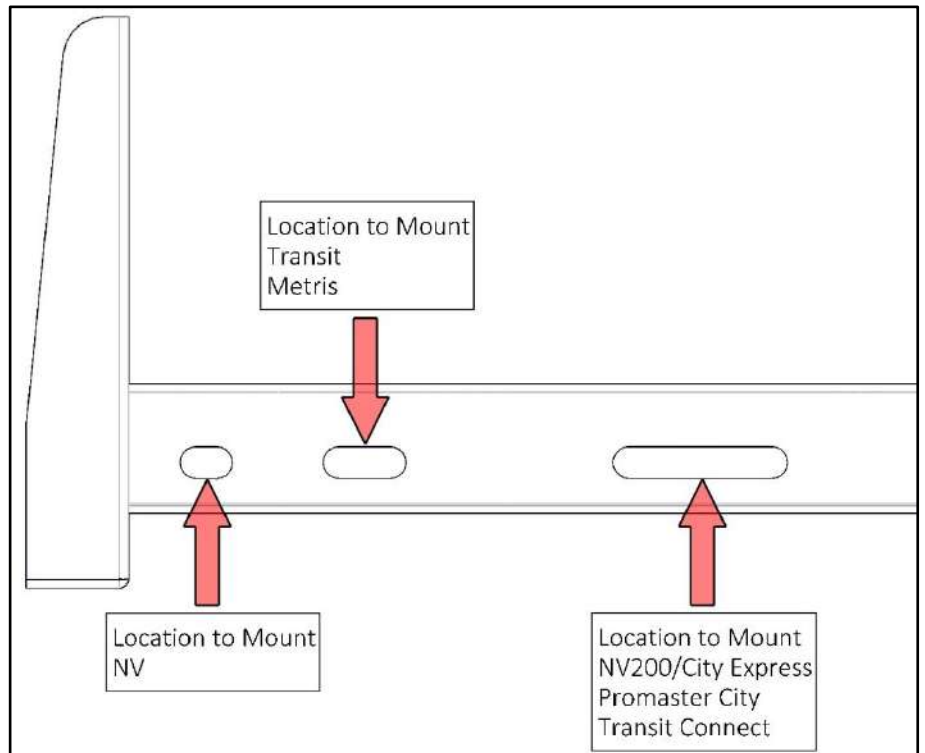
ITEM NO.		PART NUMBER	DESCRIPTION	QTY.
A		40821-10	Crossbar Assembly	1
B		40822-00-001	Slotted Foot	2
		18-40822-M	Mount Assembly	1
		18-40822-A	Assembly Hardware	1

Assembly Hardware (18-40822-A)

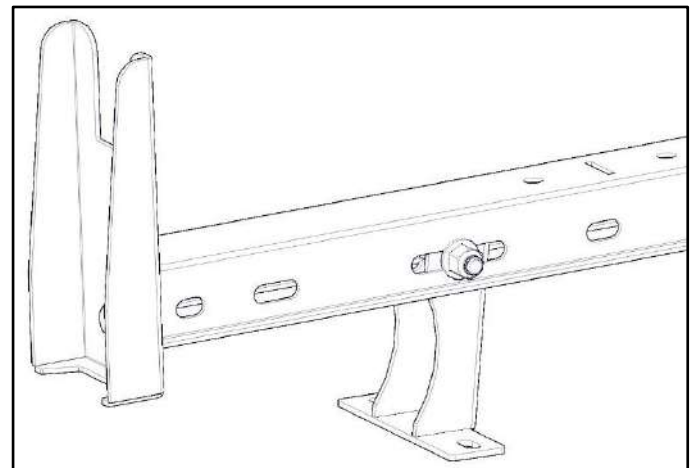
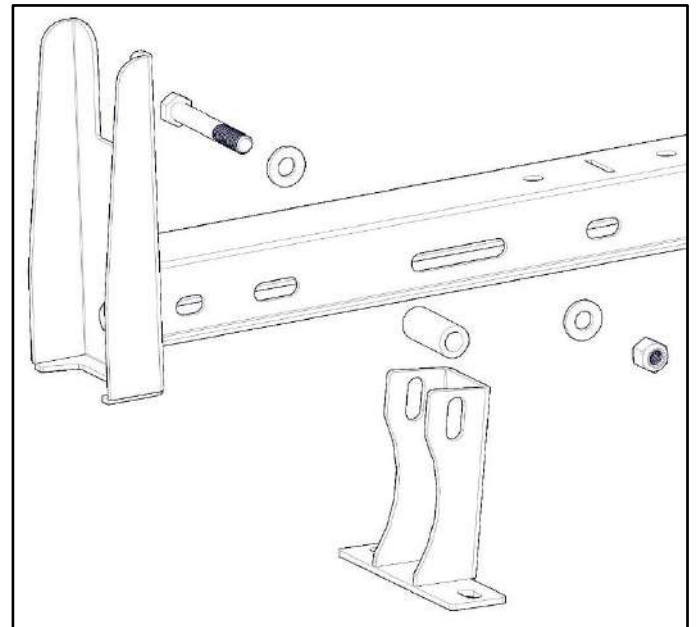
ITEM NO.	18-40821-A TO SCALE	DESCRIPTION	PART NUMBER	QTY.
1		.375-16 x 1 HH	92865A622	2
2		.375-16 x 2.75 HH	91247A635	2
3		.375 Flat Washer	90126A031	8
4		.375-16 Nyloc	95615A140	4
5		40821-10-005-R1	11-00396	2

## Step 1 – Assembly of Foot

- Depending on your vehicle, the foot will mount in different slots.



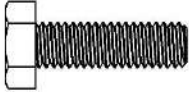

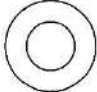
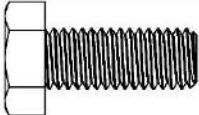
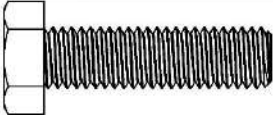
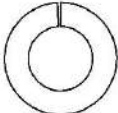
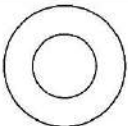
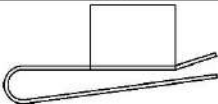

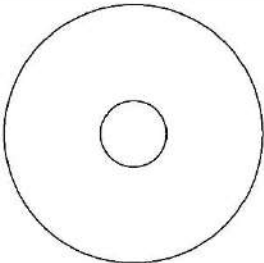
- Use a 3/8 x 2.75 hex head bolt (2), two 3/8 flat washers (3) and a 3/8 nyloc nut (4) to bolt foot (B) to crossmember (A). Be sure to insert the nylon spacer (5) inside foot.
- Have the cup in the foot facing outward. (as shown)
- Repeat on both sides and both crossmembers
- Do NOT tighten.



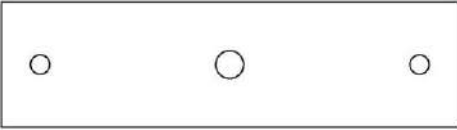
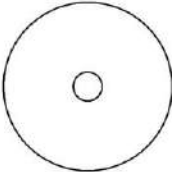
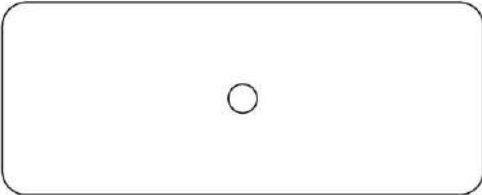
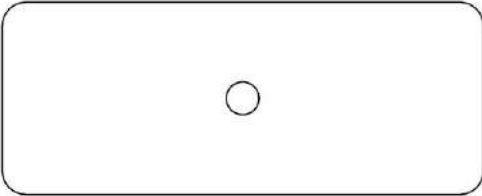

# Installation Instructions

Find vehicle below, follow instructions from there.

## Installation Hardware (To Scale) (18-40822-M)

ITEM NO.	18-40822-M	DESCRIPTION	PART NUMBER	QTY.
6		M6x1 x 20mm HH	91280A330	4
7		M6 Split Lock Washer	91202A234	4
8		M6 Flat Washer	91166A250	4
9		M8x1.25 x 20mm HH	91280A530	4
10		M8x1.25 x 30mm HH	91280A538	2
11		M8 Split Lock Washer	91202A238	4
12		M8 Flat Washer	91166A270	6
13		M8 U-Nut	95210A190	4
14		M8x1.25 Nyloc	90576A117	2
15		.312 Fender Washer	.312 Fender Washer	2

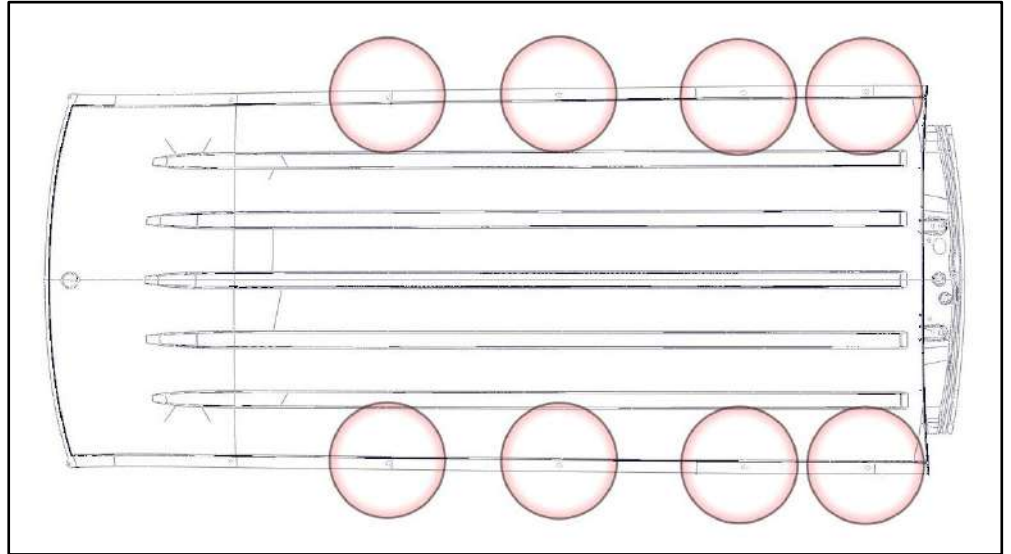
## Installation Hardware (con't)

ITEM NO.	18-40822-M	DESCRIPTION	PART NUMBER	QTY.
16		40821-10-004-R1	40821-10-004-R1	2
17		.125x.312x1.75 Rubber Washer	.125x.312x1.75 Rubber Washer	2
18		Rubber	T249-02-R1	2
19		Transit Steel Plate	T250-01	2
		E6000	E6000	1

## Transit Connect

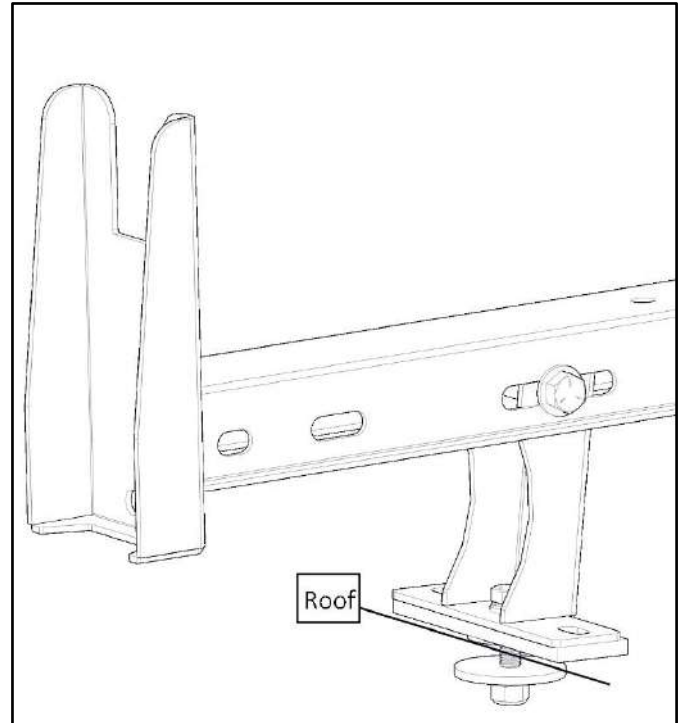
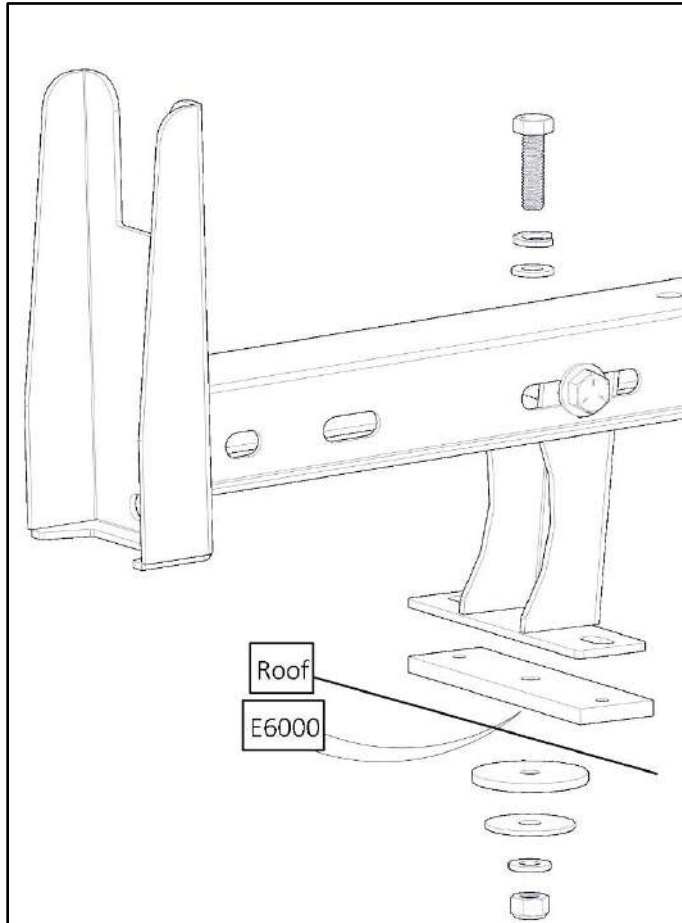
### Step 1

- Remove plugs from desired mounting location in the roof of van.



### Step 2

- Bolt through the mount foot (B) into the exposed holes in roof using one M8 x 30mm hex head (10), one M8 flat washer (12), a rubber spacer (16), a rubber washer (17), one fender washer (15), another M8 flat washer (12) and one M8 nyloc nut (14). In the order shown.
- Be sure to put rubber spacer (16) in between mount foot (B) and roof of van as shown below.
- The roof goes in between rubber spacer (16) and rubber washer (17).
- Place E6000 between rubber spacer and roof of van and around threads to ensure no water leaks into van.



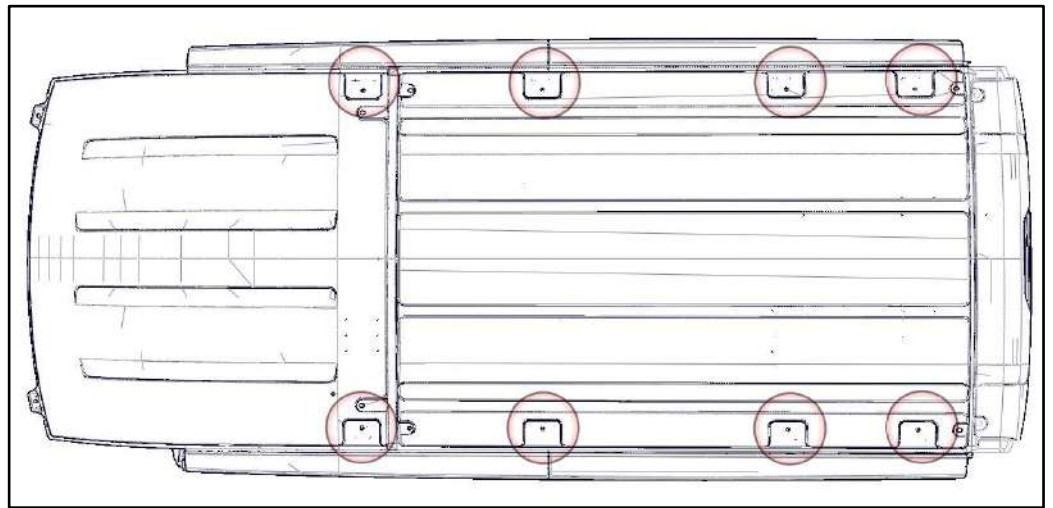
### Step 3

- Go back and tighten all bolts including nuts and bolts on the rack itself.

## Transit

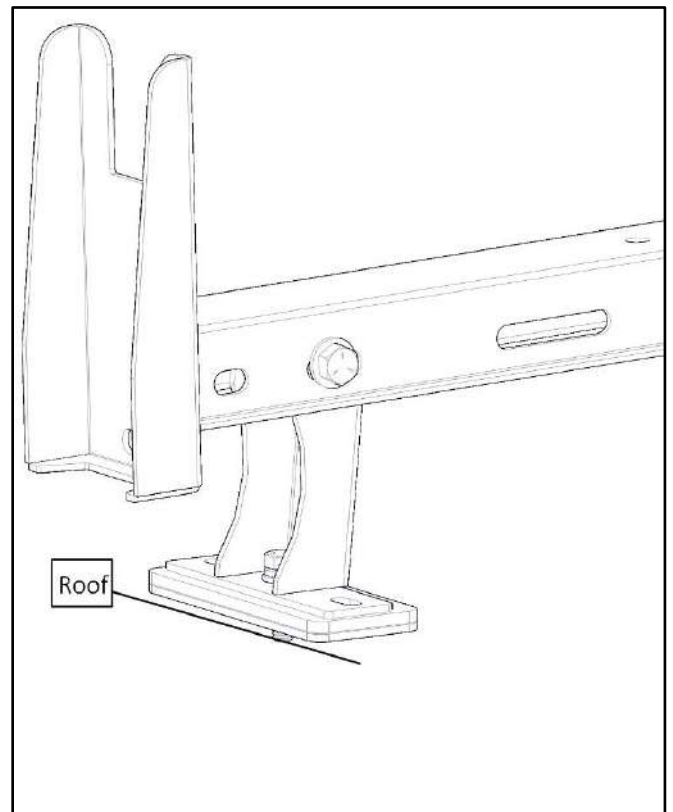
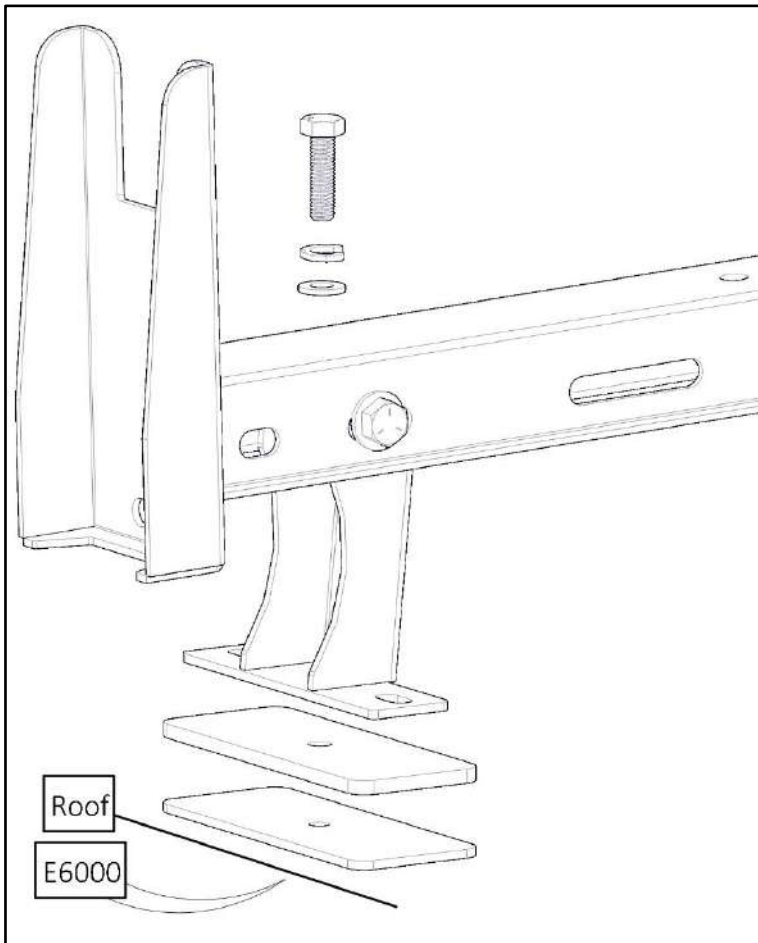
### Step 1

- Remove plugs from desired mounting location in the roof of van.



### Step 2

- Bolt through the mount foot (B) into the exposed holes in roof using one M8 x 30mm hex head (10), one M8 lock washer (11), one M8 flat washer (12), a metal plate (19) and a rubber pad (18). In the order shown.
- Be sure to put rubber pad (18) and metal plate (19) in between mount foot (B) and roof of van as shown below. The rubber pad goes on the roof.
- Place E6000 between rubber pad and roof of van and around threads to ensure no water leaks into van.



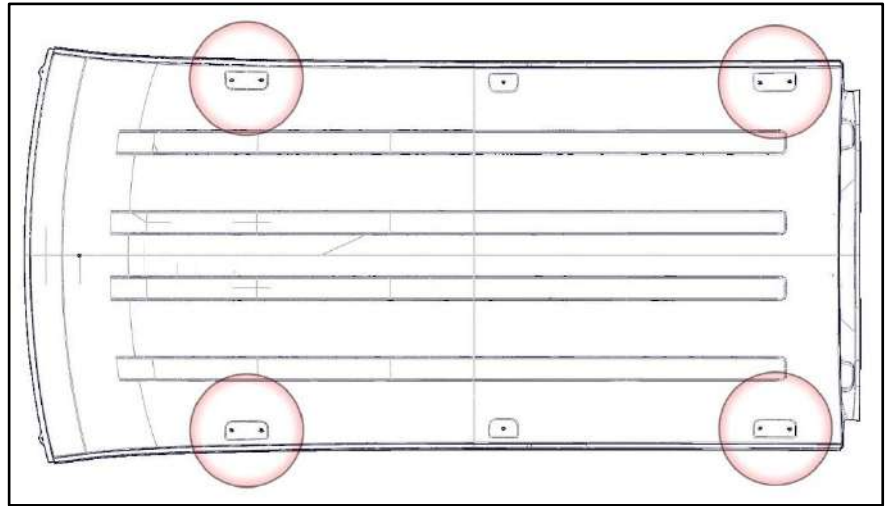
### Step 3

- Go back and tighten all bolts including nuts and bolts on the rack itself.

## Promaster City

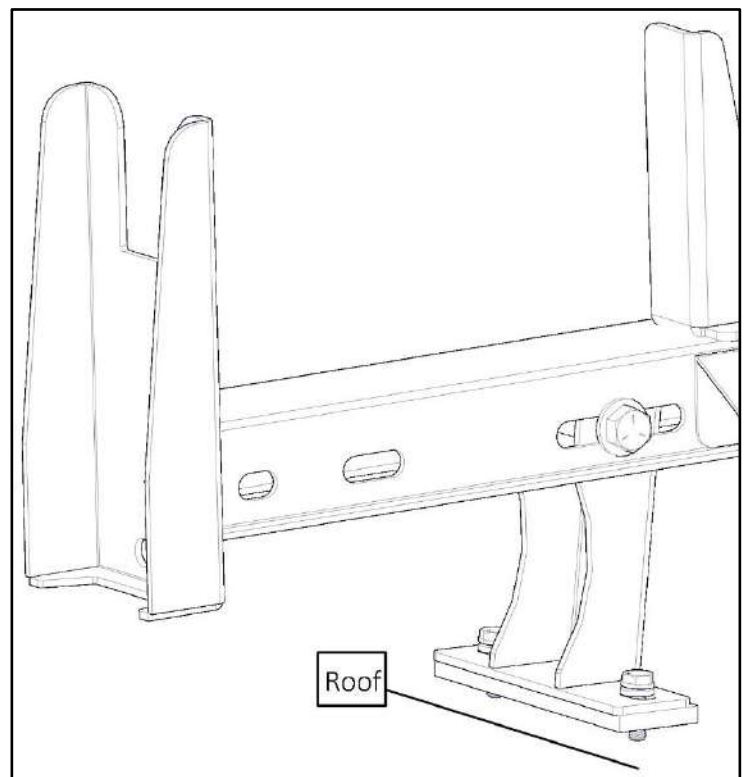
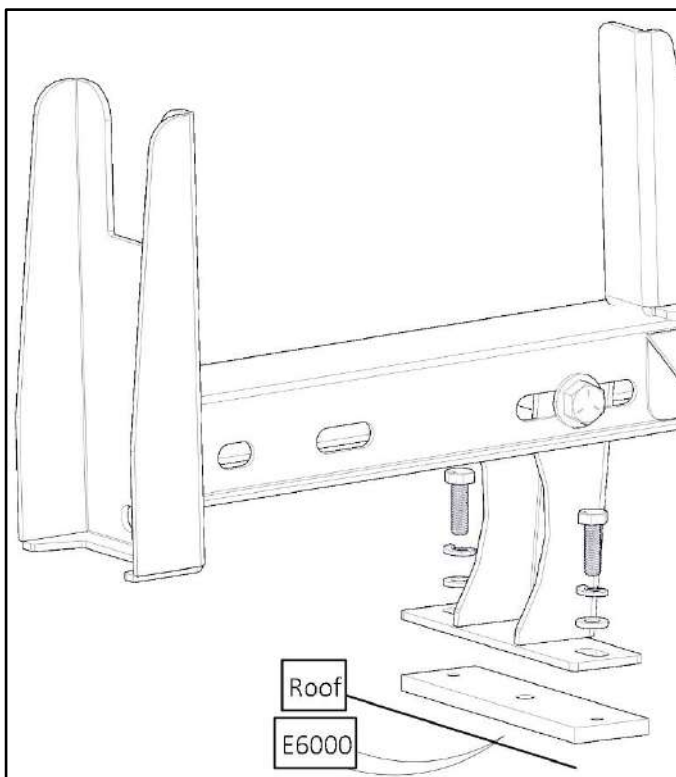
### Step 1

- Remove plugs from desired mounting location in the roof of van.



### Step 2

- Bolt through the mount foot (B) into the exposed holes in roof using one M6 x 20mm hex head (6), one M6 lock washer (7), one M6 flat washer (8) and a rubber spacer (16). In the order shown.
- Be sure to put rubber spacer (16) in between mount foot (B) and roof of van as shown below.
- Place E6000 between rubber spacer and roof of van and around threads to ensure no water leaks into van.



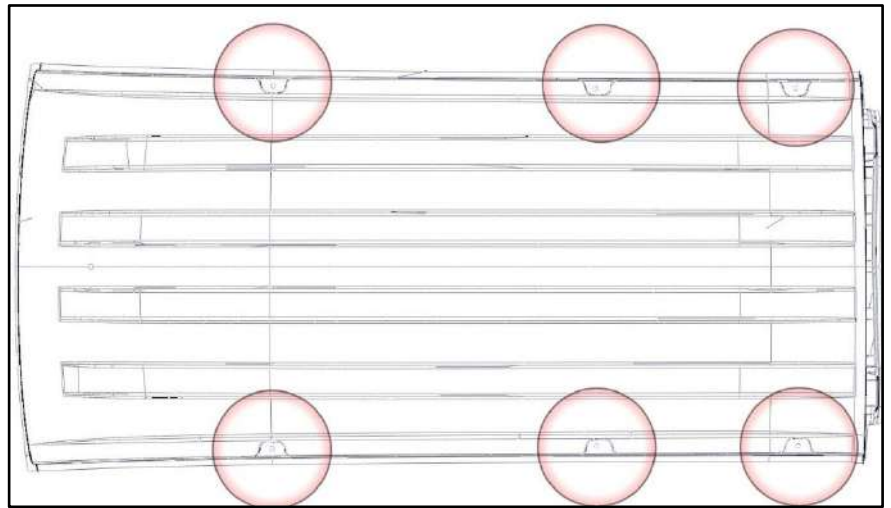
### Step 3

- Go back and tighten all bolts including nuts and bolts on the rack itself.

## NV200/Chevy City Express

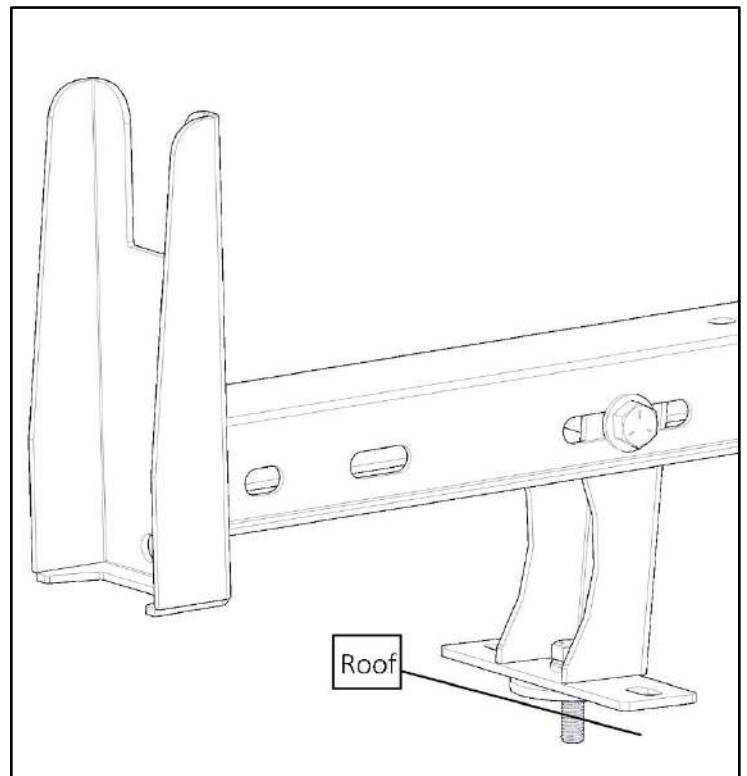
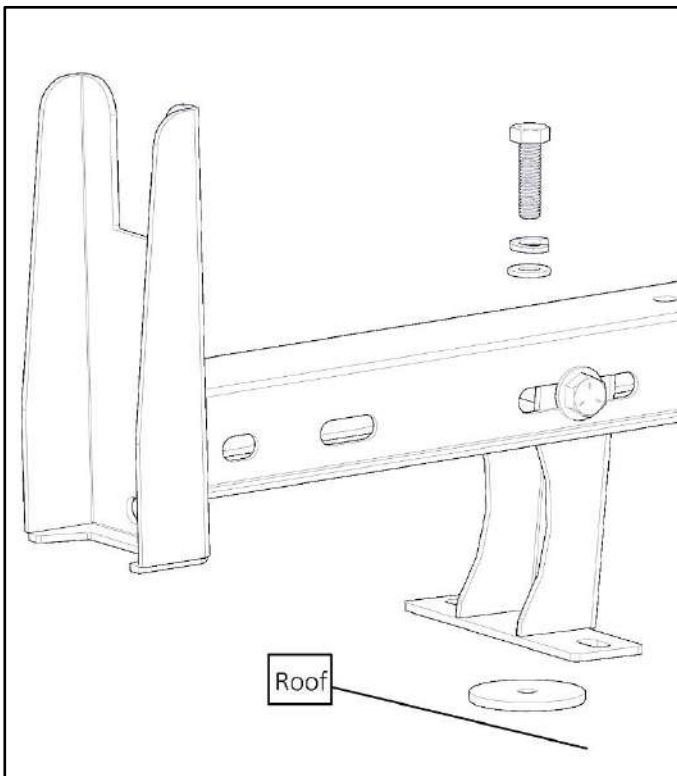
### Step 1

- Remove plugs from desired mounting location in the roof of van.



### Step 2

- Bolt through the mount foot (B) into the exposed holes in roof using one M8 x 30mm hex head (10), one M8 lock washer (11), one M8 flat washer (12) and a rubber washer (17). In the order shown.
- Be sure to put rubber washer (17) in between mount foot (B) and roof of van as shown below.
- Place E6000 between rubber spacer and roof of van and around threads to ensure no water leaks into van.



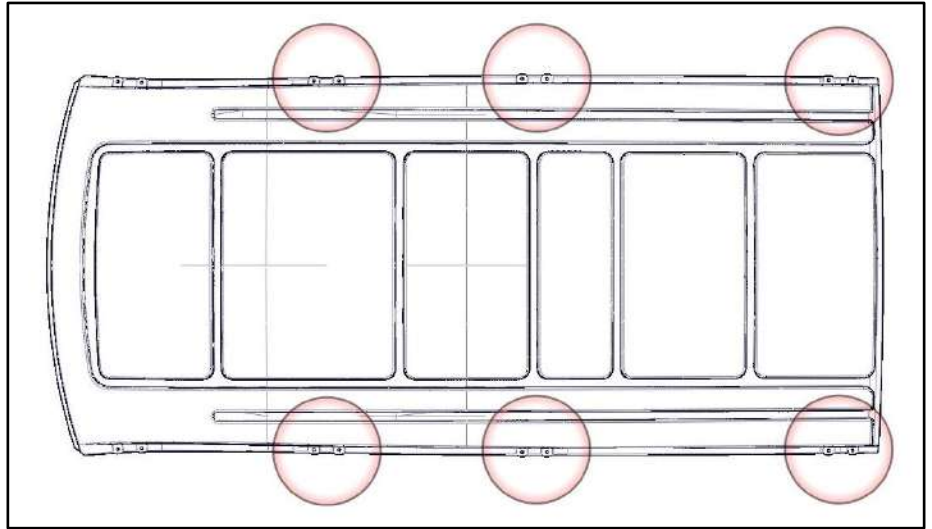
### Step 3

- Go back and tighten all bolts including nuts and bolts on the rack itself.

## Metris

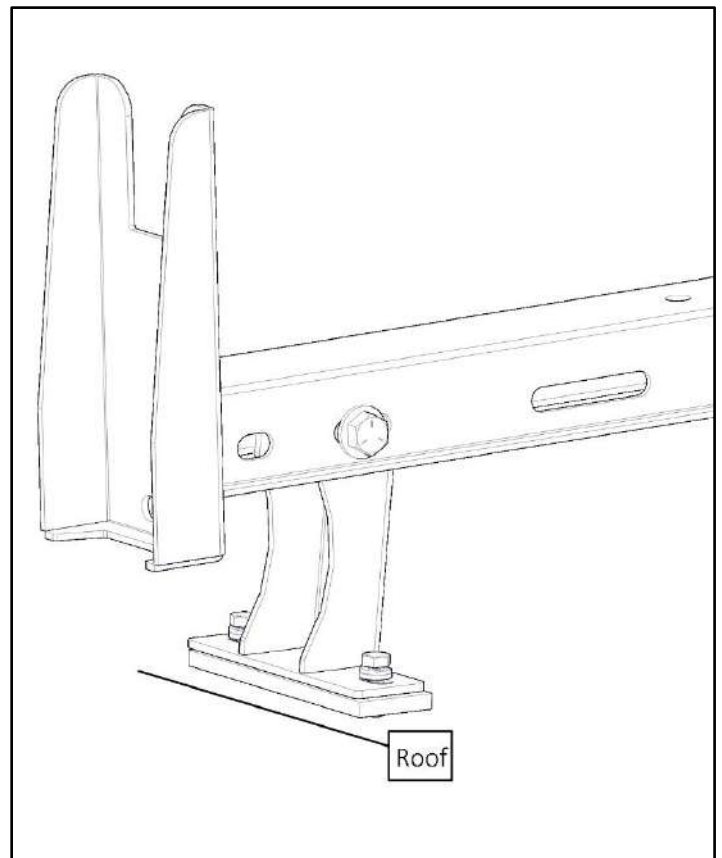
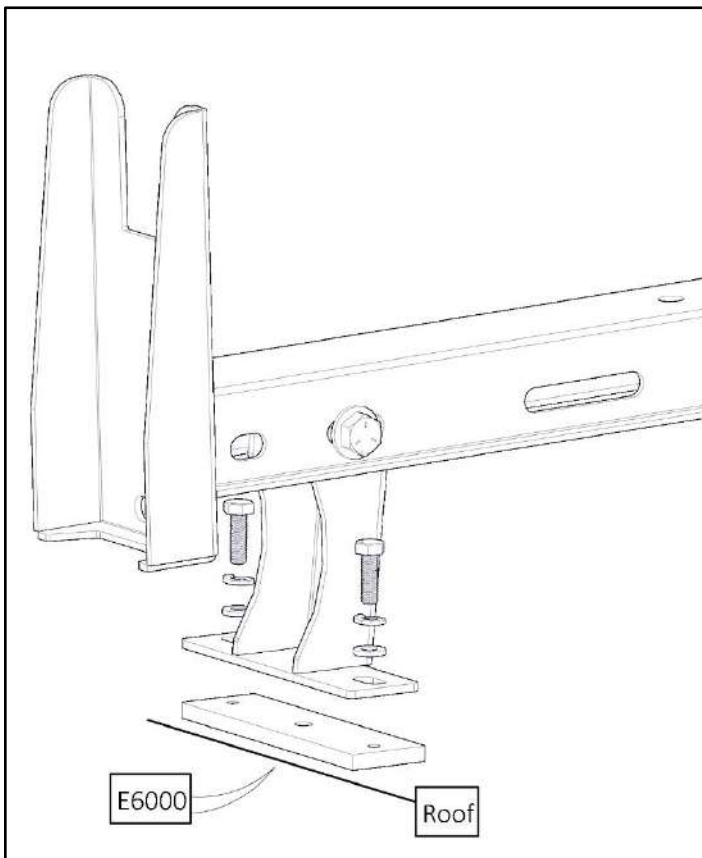
### Step 1

- Remove plugs from desired mounting location in the roof of van.



### Step 2

- Bolt through the mount foot (B) into the exposed holes in roof using one M6 x 20mm hex head (6), one M6 lock washer (7), one M6 flat washer (8) and a rubber spacer (16). In the order shown.
- Be sure to put rubber spacer (16) in between mount foot (B) and roof of van as shown below.
- Place E6000 between rubber spacer and roof of van and around threads to ensure no water leaks into van.



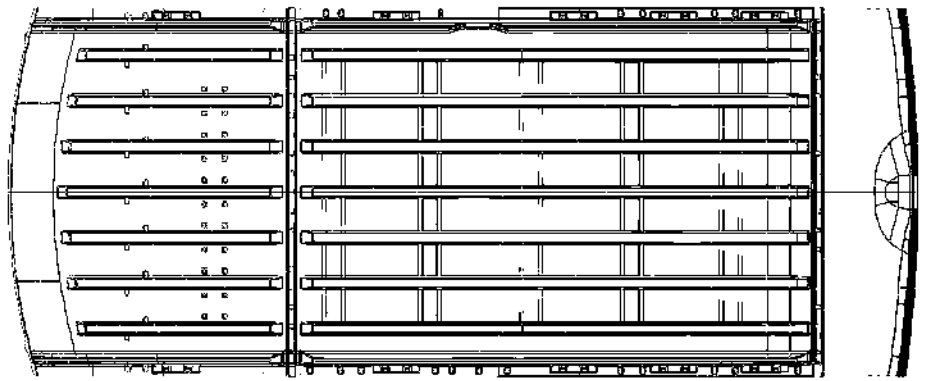
### Step 3

- Go back and tighten all bolts including nuts and bolts on the rack itself.

## NV

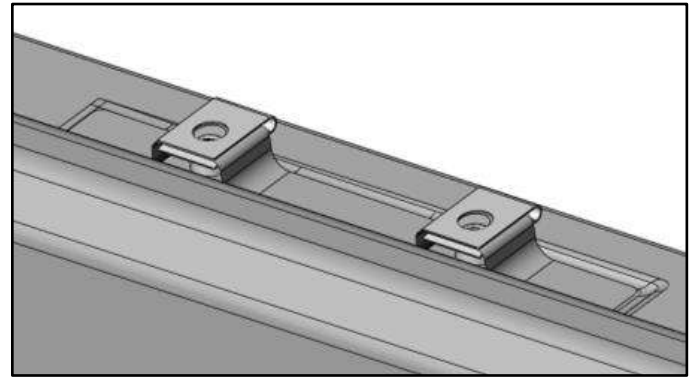
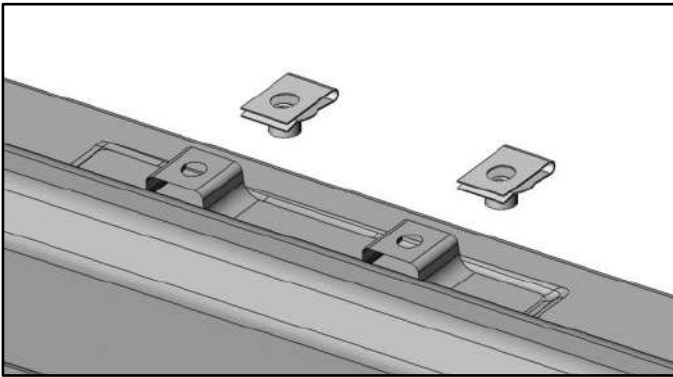
### Step 1

- Locate desired mounting location in the roof of van.



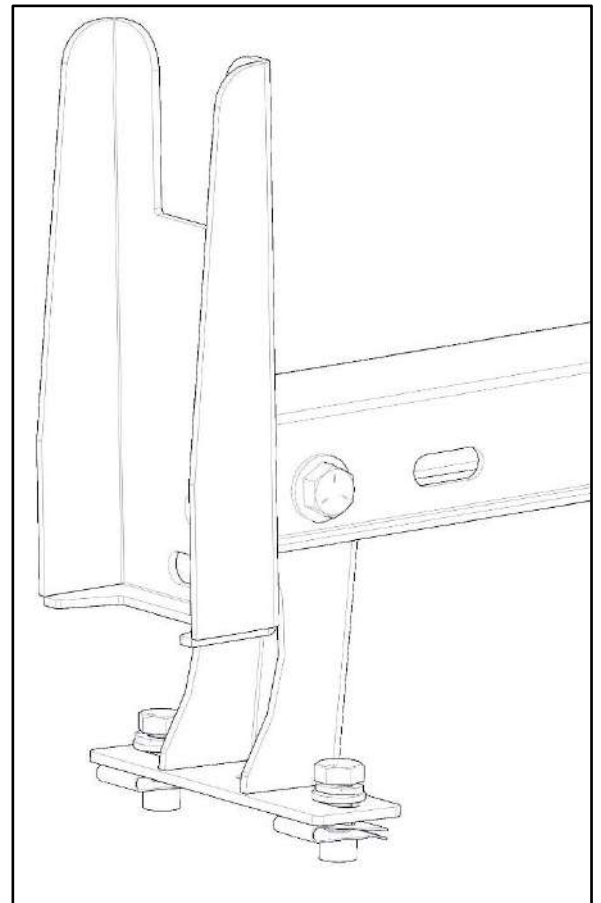
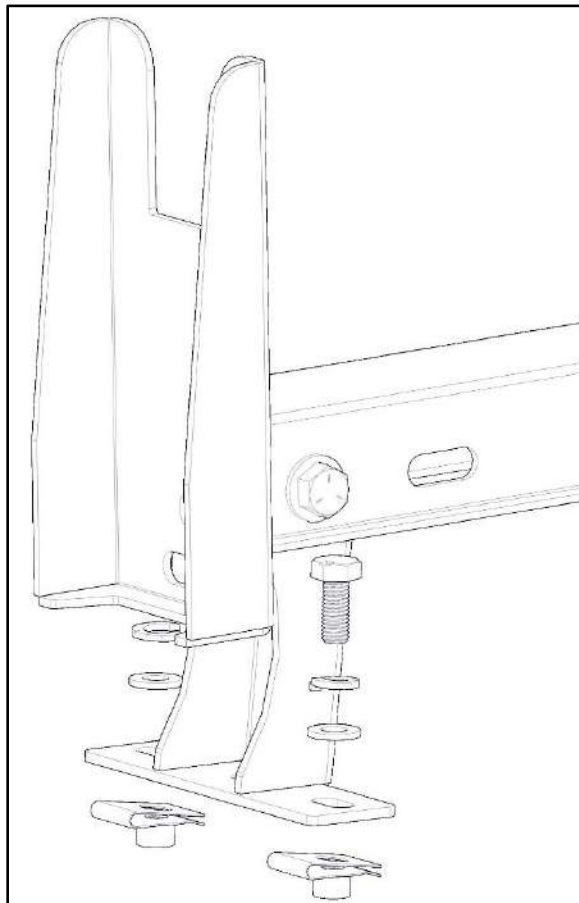
### Step 2

- Install M8 U-Nuts (13) as shown. Be sure to apply Anti-Seeze to all threads.



### Step 3

- Bolt through the mount foot (B) into the previously installed M8 U-nuts using M8 x 20mm hex head (9), M8 lock washer (11) and M8 flat washer (12).



### Step 4

- Go back and tighten all bolts including nuts and bolts on the rack itself.