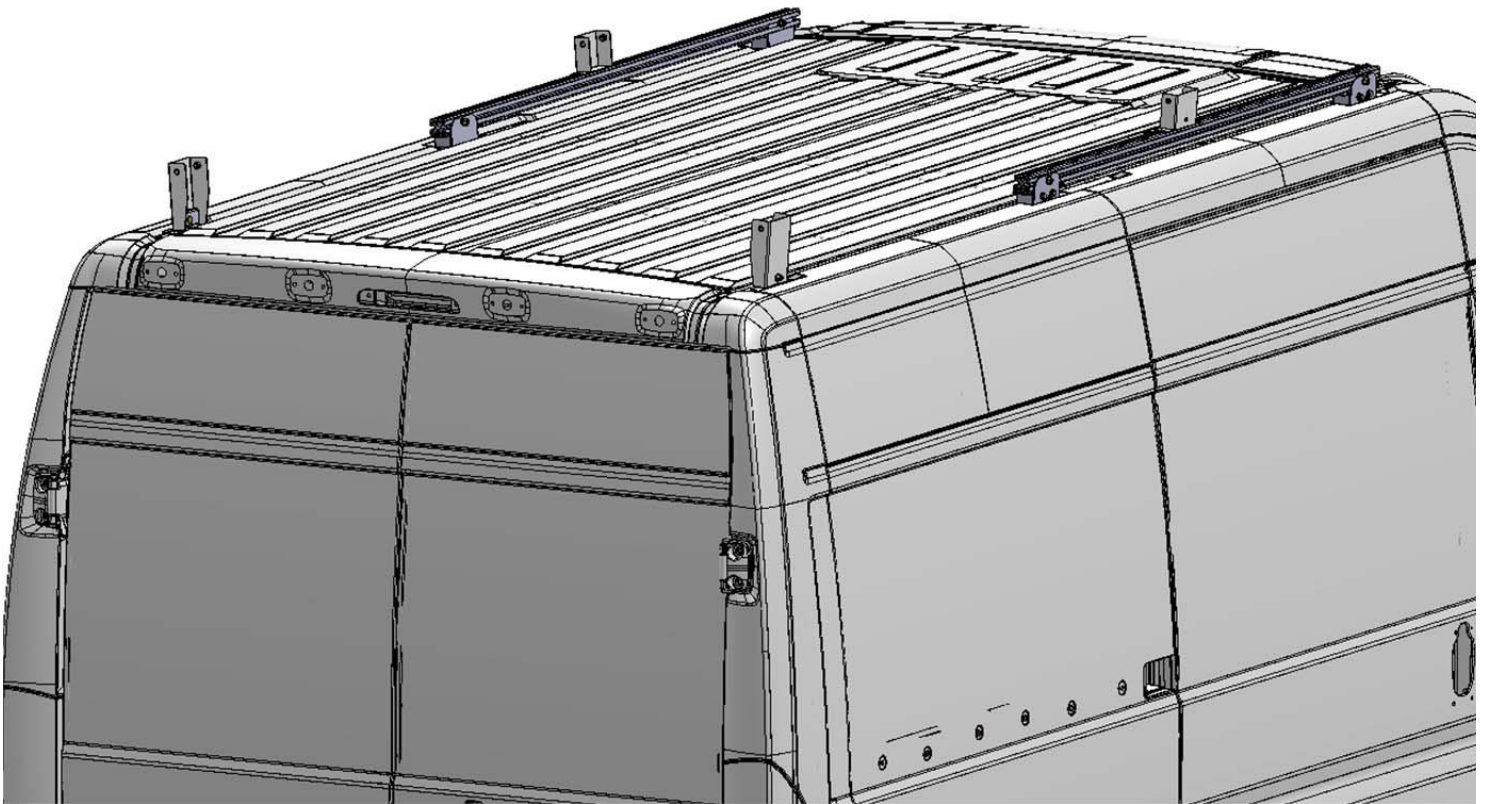

KARGO MASTER[®]

WE PUT EVERYTHING WITHIN REACH.

Installation Guide

40818 Promaster



***PLEASE READ ALL INSTRUCTIONS AND WARNINGS PRIOR TO ASSEMBLING,
INSTALLING, AND USING THIS PRODUCT***

Warning



Always check for wires, fuel tanks and lines, brake lines and other important vehicle functionality items prior to drilling and installing all products.

Tools Needed

1/2" Socket and Wrench	7/16" Socket and Wrench
1/8" Allen Hex	Tape Measure

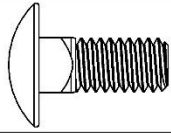
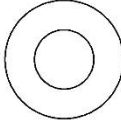

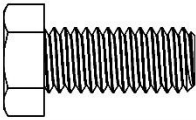
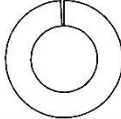
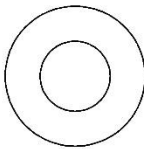
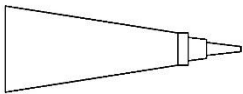
Table of Contents

Rack Mount Hardware List	2
Promaster Parts List	3
Promaster Hardware List	4
Step 1 – Prepare Mount Blocks	5
Step 2 – Find Mount Locations	5
Step 3 – Install Mount Blocks	6
Step 4 – Prepare Extrusion	7
Step 5 – Install Extrusion	7
Step 6 – Install Rear Foot	8
Step 7 – Install Mount Foot	9
Step 8 – Set Distance	10
Step 9 – Mount Feet to Rack	11

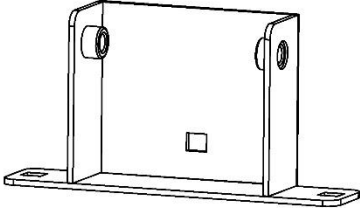
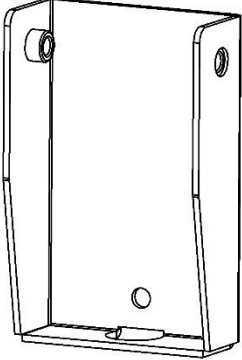

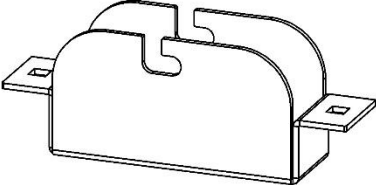
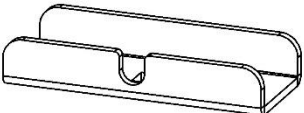
Before You Begin

- Read all instructions.
- Use Anti-Seeze on all threads.
- When mounting to the roof, place generous amounts of E6000 to seal the interior of van from the exterior elements. E6000 will be in the rack assembly.
- Follow assembly instructions to assemble and install rack.

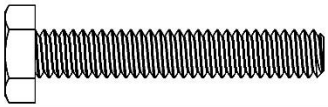
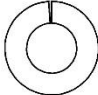
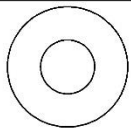
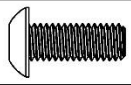
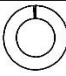
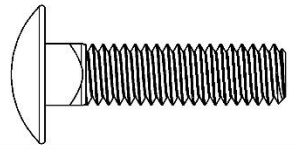
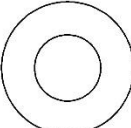
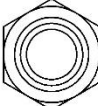
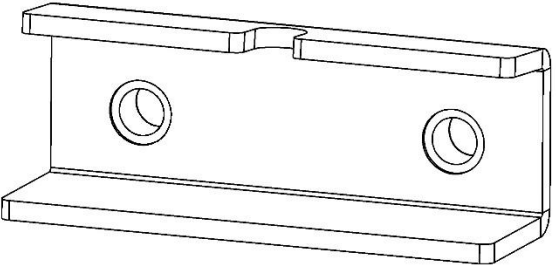
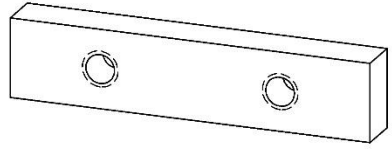
Mount Hardware

ITEM NO.	18-40818-FT	DESCRIPTION	PART NUMBER	QTY.
FT1		.312-18 x .75 Carriage SS	92356A581	16
FT2		.312 Flat Washer SS	96659A107	16
FT3		.312-18 Nyloc SS	91831A030	16
FT4		.375-16 x .75 HH SS	92240A622	8
FT5		.375 Split Lock Washer SS	92146A031	8
FT6		.375 Flat Washer SS	96659A108	8
		Anti-Seeze	Anti-Seeze	1

Promaster Mount Parts

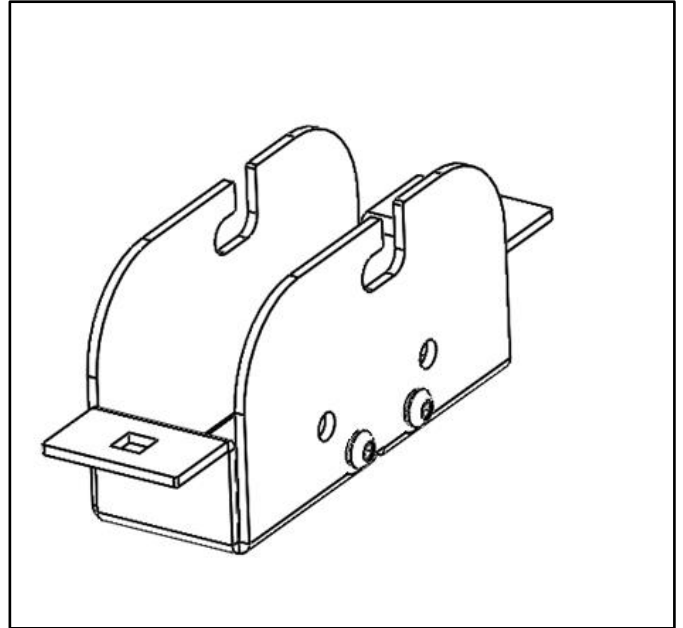
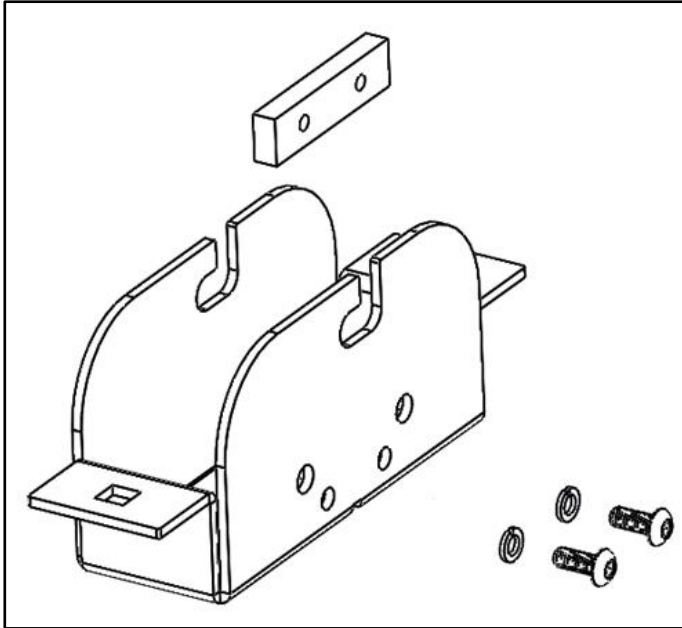
ITEM NO.	ProMaster Mount Parts	PART NUMBER	DESCRIPTION	QTY.
A		40818-10	Short Foot Bracket	4
B		40818-25	Tall Foot Bracket	2
C		40818-20-001-R1	62in Extrusion	2
D		40818-20-003-R2	Mount Block	4
E		40818-20-007-R1	Transit and Sprinter Mount Bracket	2

Promaster Mount Hardware

ITEM NO.	18-40818-P	DESCRIPTION	PART NUMBER	QTY.
1		.25-20 x 1.50 HH SS	92240A546	8
2		.25 Split Lock Washer SS	92146A029	8
3		.25 Flat Washer SS	96659A106	8
4		No10-32 x .50 BHCS SS	92949A265	8
5		No10 Split Lock Washer SS	92146A550	8
6		.312-18 x 1.25 Carriage SS	92356A589	2
7		.312 Flat Washer SS	96659A107	2
8		.312-18 Nyloc SS	91831A030	2
9		40818-23	40818-23	4
10		40818-20-006-R2	40818-20-006-R2	4

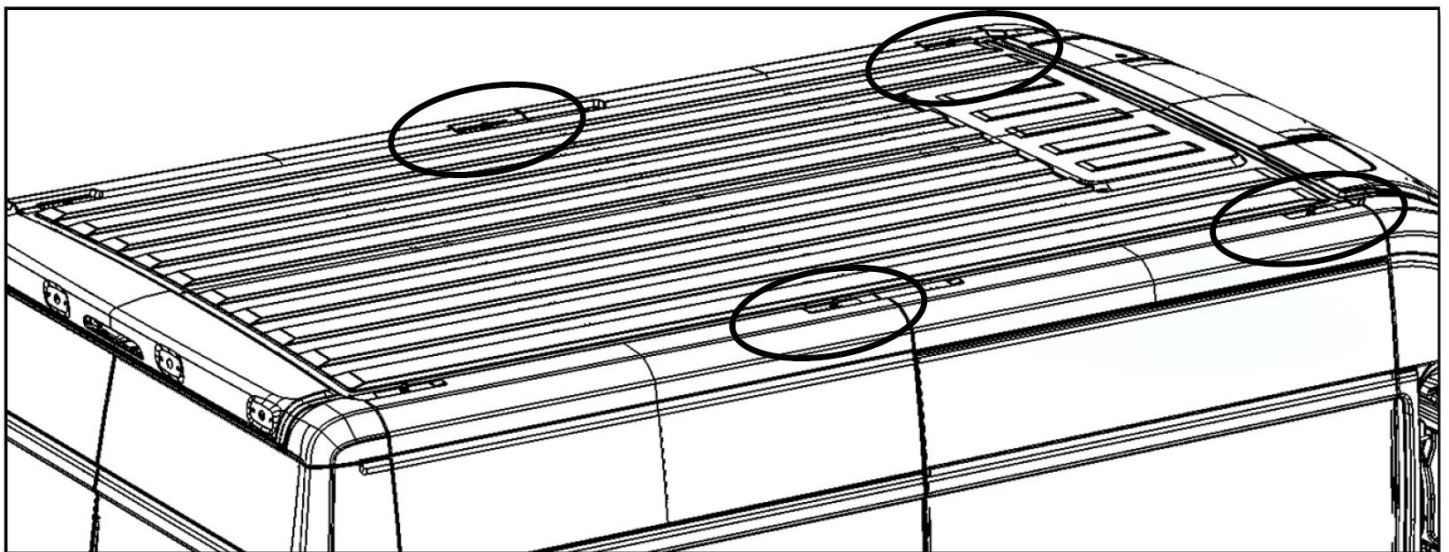
Step 1 – Prepare Mount Blocks

- Attach spacer block (10) inside mount block using #10-32 x .50 BHCS (4) and #10 split lock washers (5) as shown.
- Repeat on all four blocks.
- Be sure to apply anti-seeze to all threads.
- TIGHTEN



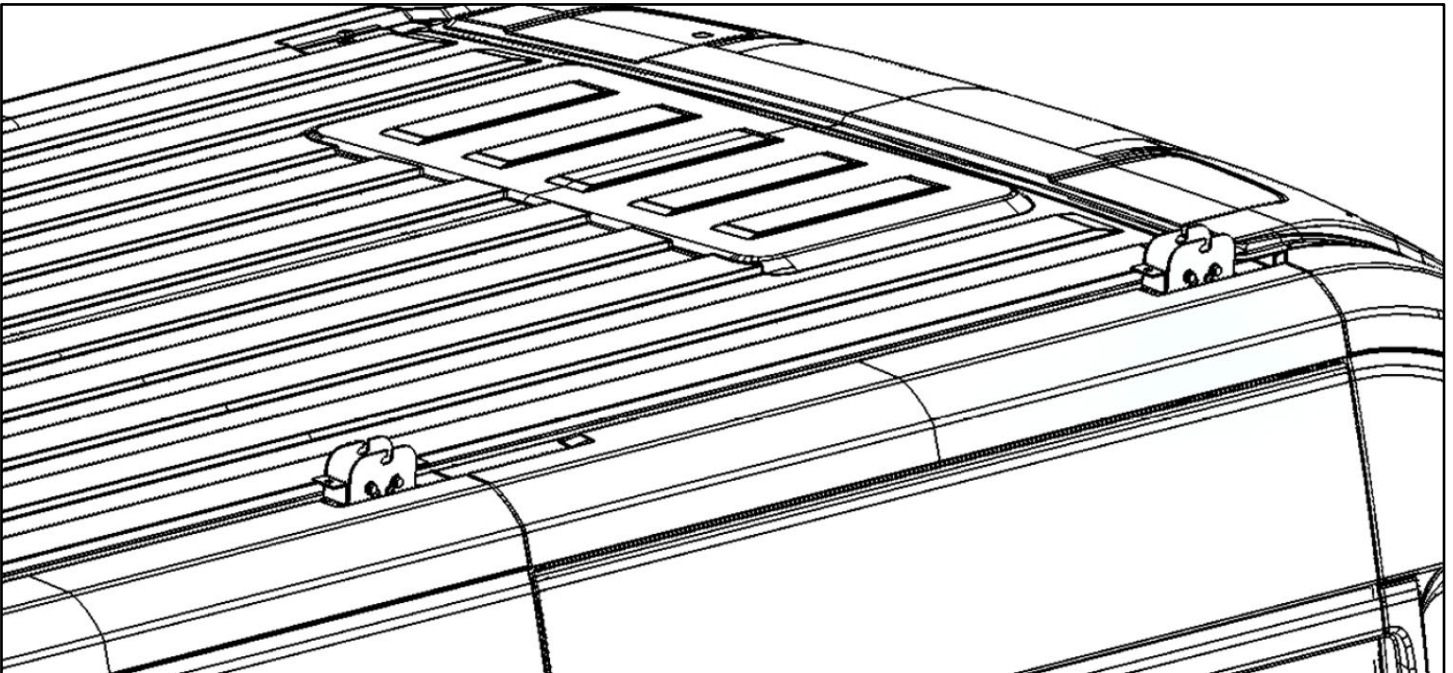
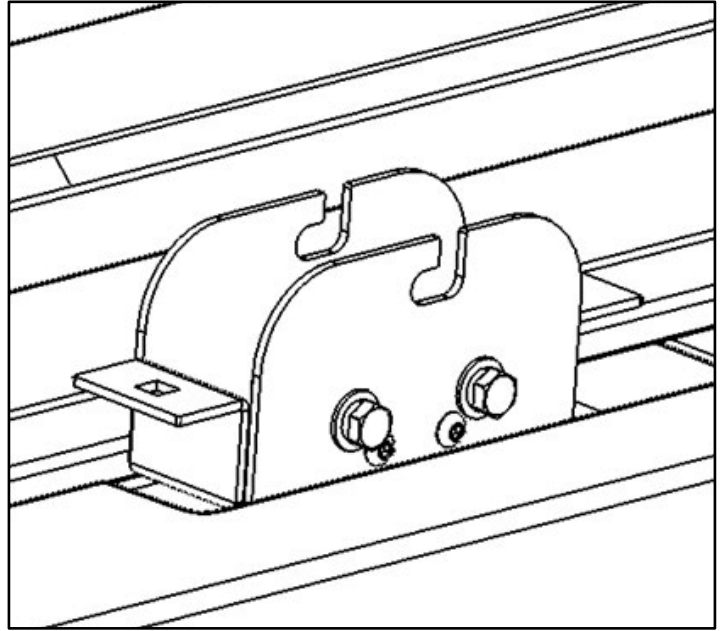
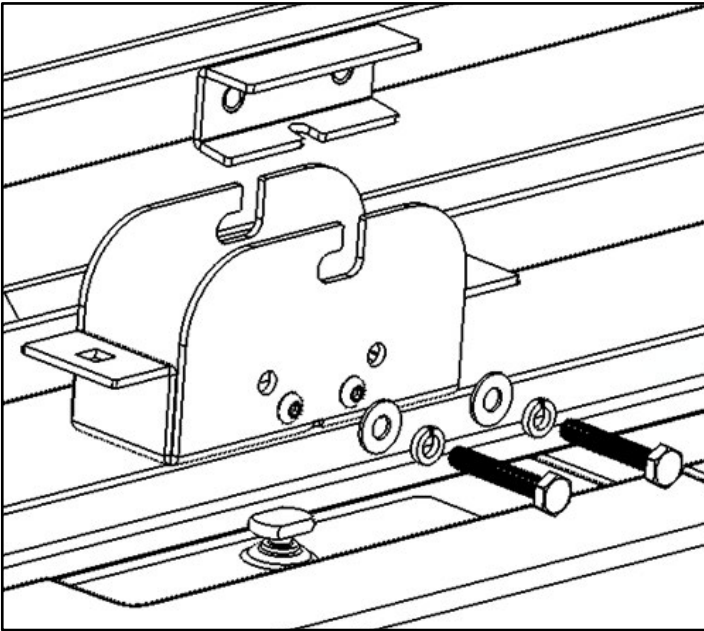
Step 2 – Find Mount Locations on Roof of Van

- Locate the front two mounting locations on each side of van. This is where the mounting blocks will be mounted. This picture shows on a 136" wheel base, high roof van.



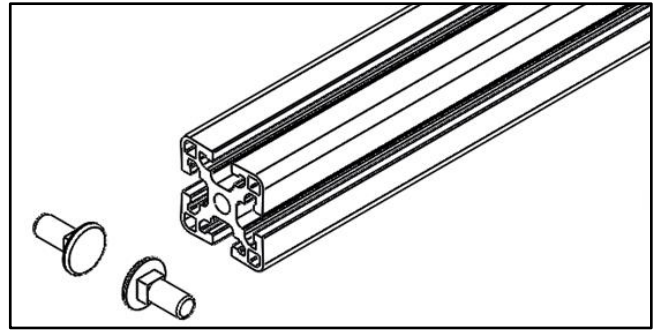
Step 3 – Install Mount Block

- Set mount block assembly over the “T” stud extruding from the top of the roof.
- Insert mount clip (9) as so the slot goes under the head of the “T” stud to mount tight.
- Bolt through the mount assembly and into the mount bracket (9) using two 1/4 x 1.50 hex bolt(1), two 1/4 split lock washers (2) and two 1/4 flat washers as shown (3).
- Be sure to apply anti-seeze to all threads.
- DO NOT OVER TIGHTEN
- Repeat 4x.



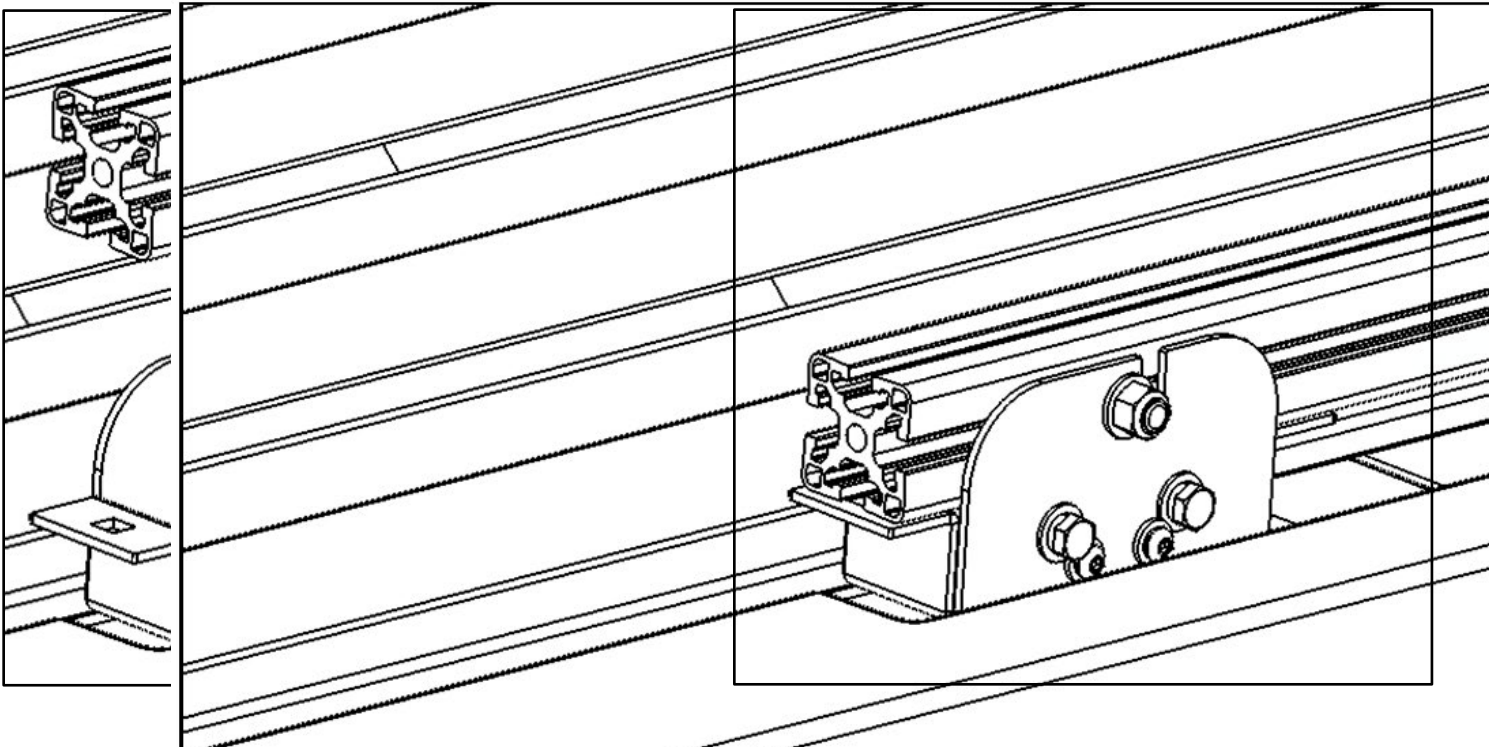
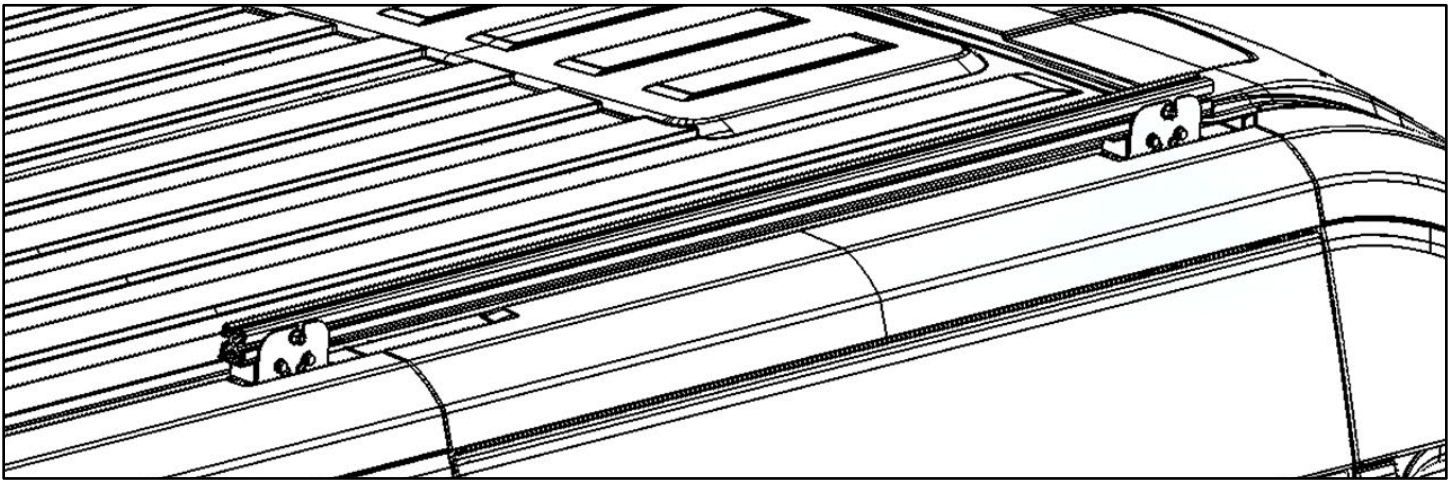
Step 4 – Prepare Extrusion

- Slide two 5/16 x .75 carriage bolt (FT1) into opposite slots of extrusion. These carriage bolts are in the foot mount kit (18-40818-FT).
- Repeat on each rail, for a total of 8 carriage bolts on two rails.



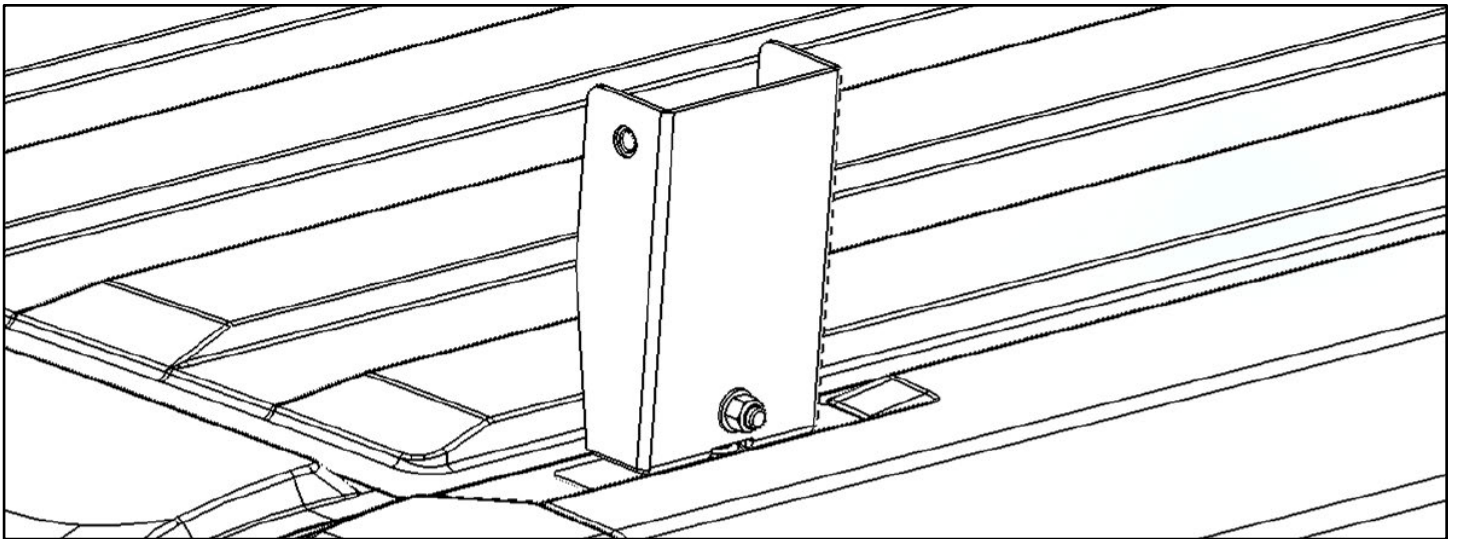
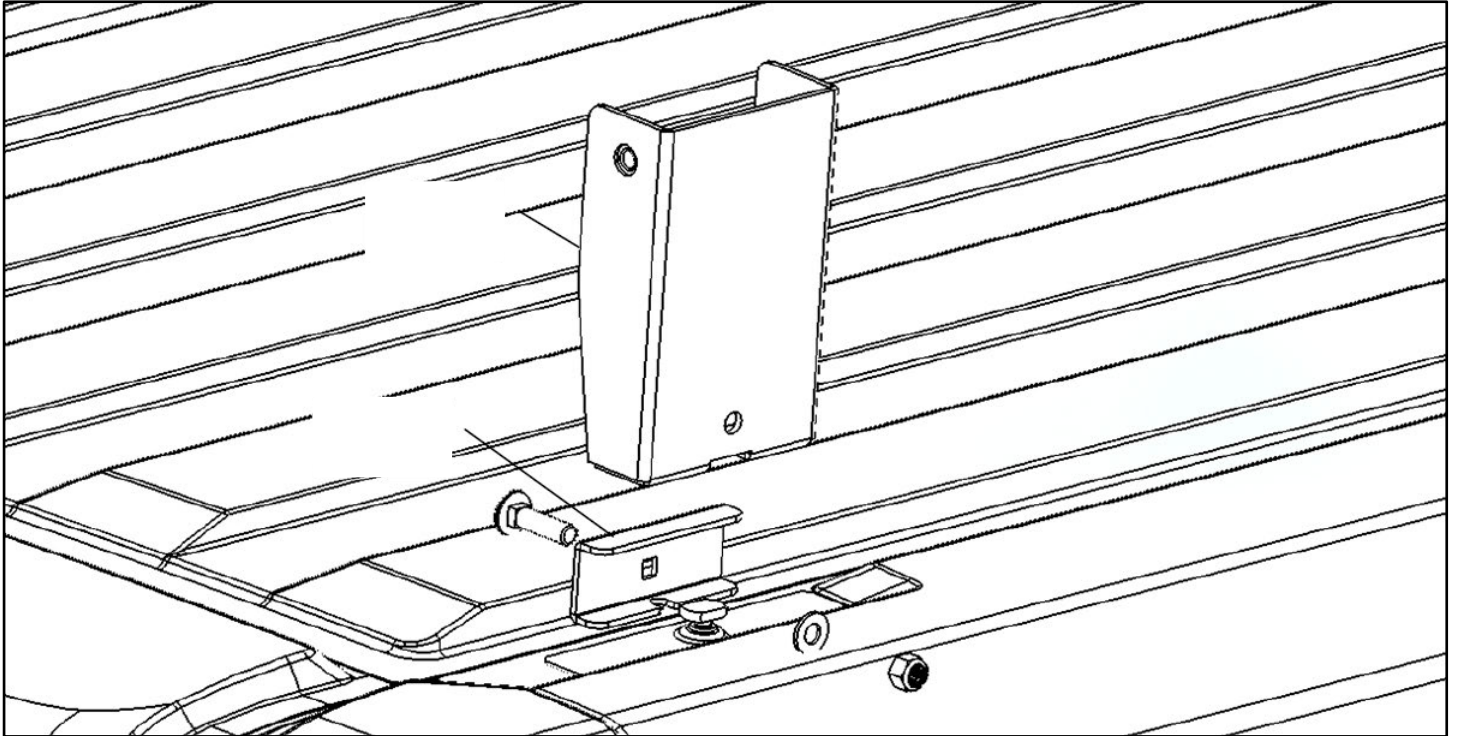
Step 5 – Install Extrusion

- Place mount rail with carriage bolts onto the mount blocks that were installed in step 3.
- Line the carriage bolts up in the slot of the mount blocks.
- Bolt using previous carriage bolt (FT1), 5/16 flat washer (FT2) and a 5/16 nyloc nut (FT3).
- Snug Tighten, But allow movement.
- Apply anti-seeze to all threads.



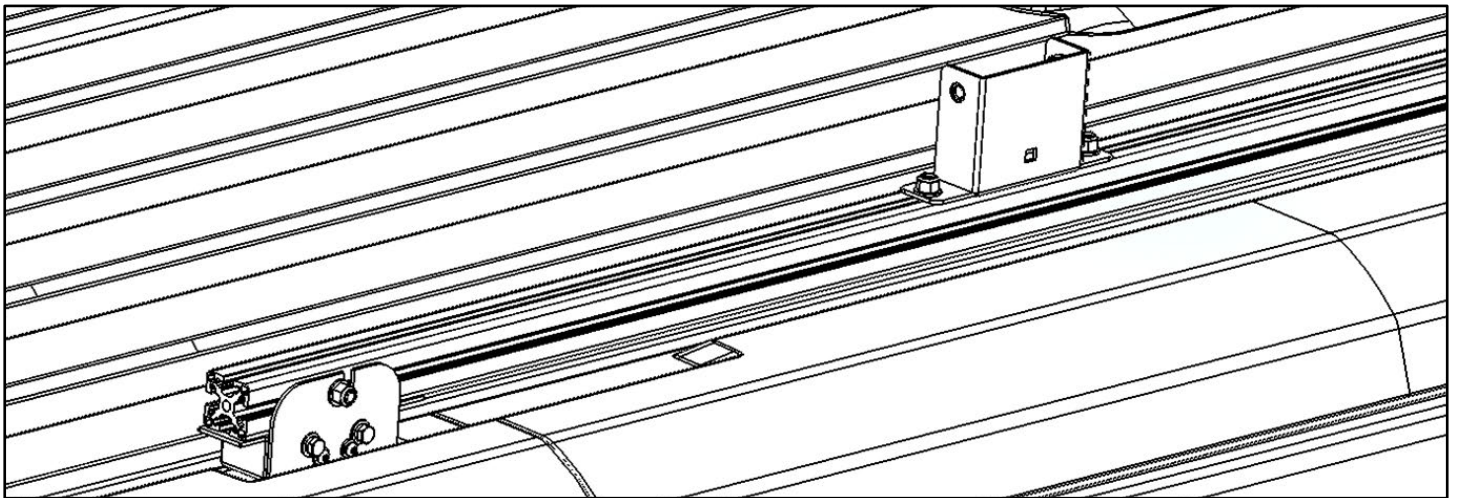
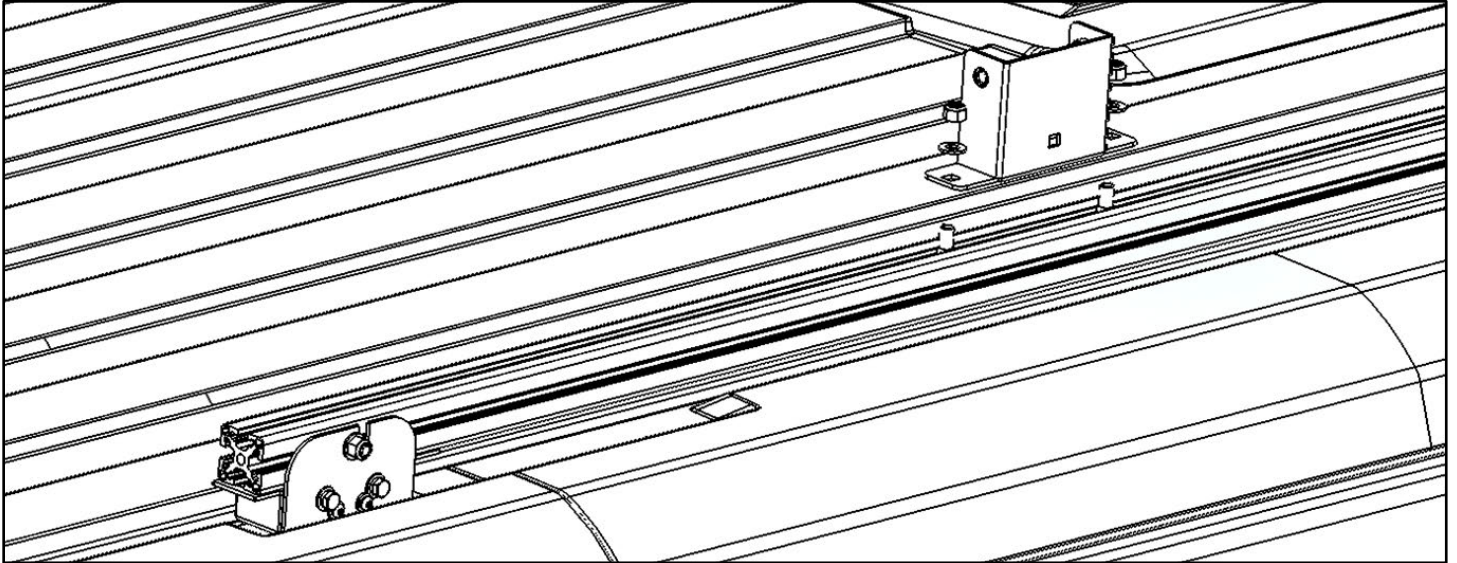
Step 6 – Install Rear Foot

- Place rear foot (B) over the “T” stud at the rear of the roof.
- Insert mount clip (9) as so the slot goes under the head of the “T” stud to mount tight.
- Bolt through the mount bracket (E) and the rear foot (B) using a 5/16 x 1.25 carriage bolt (6), a 5/16 flat washer (7) and a 5/16 nyloc nut (8).
- DO NOT OVER TIGHTEN.
- Be sure to apply anti-seeze to all threads.
- Repeat on other side.



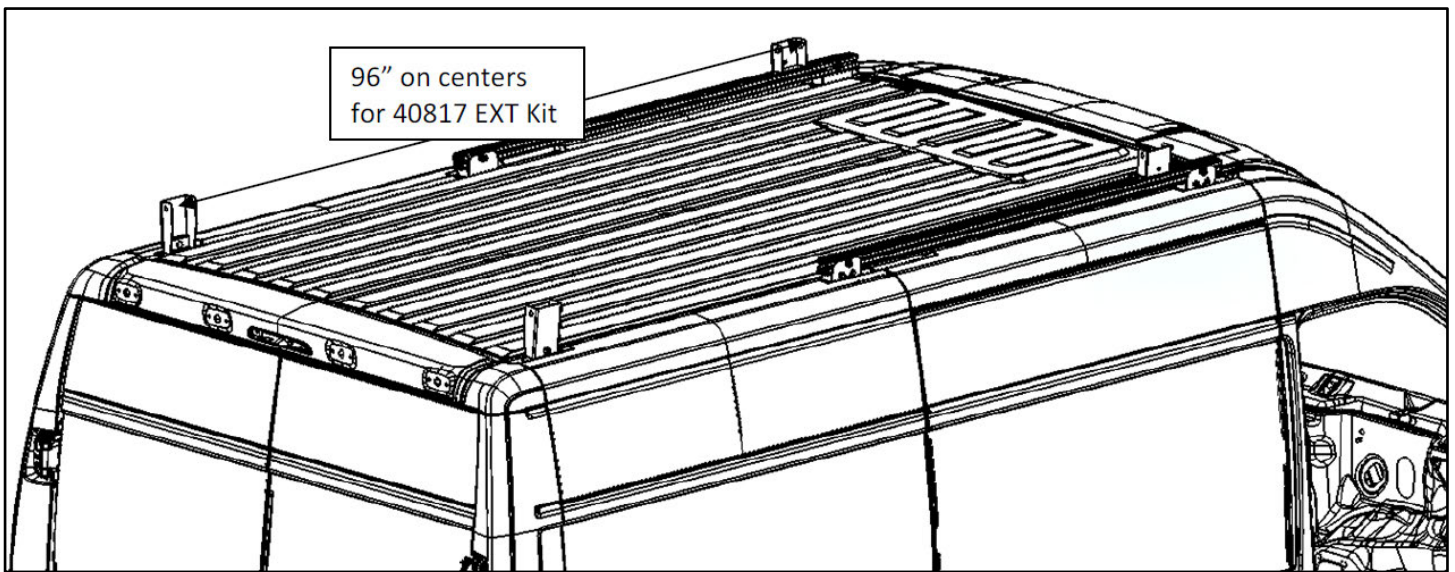
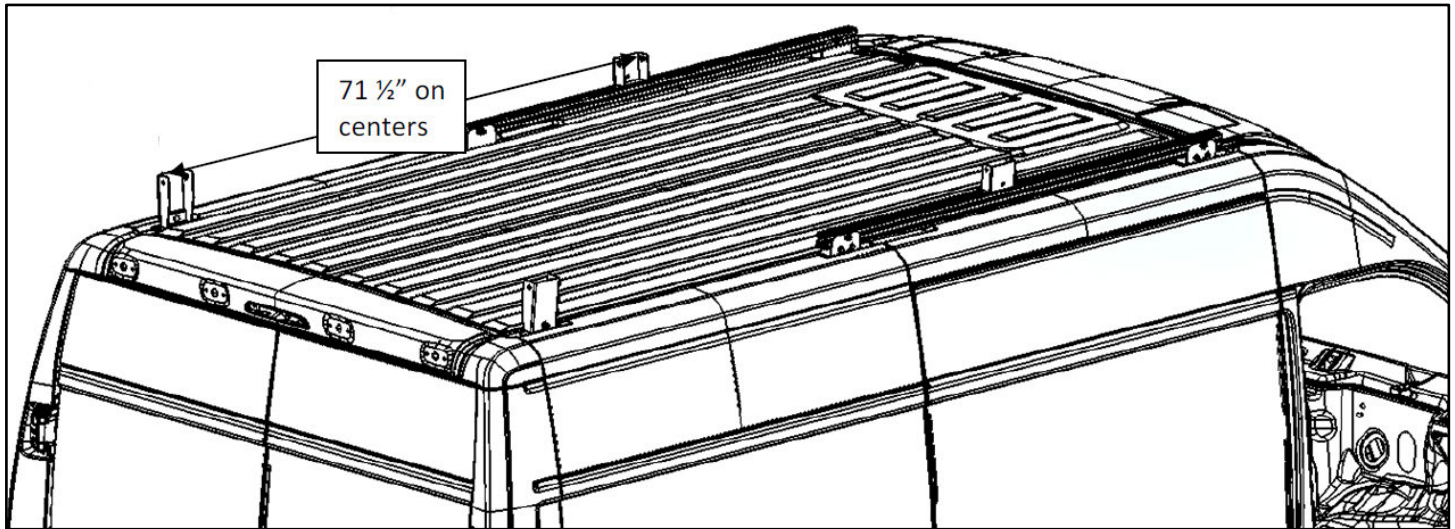
Step 7 – Install Mount Foot

- Slide two 5/16 x .75 carriage bolts (FT1) into the top slot of the mounted extrusion.
- Place mount foot (A) over carriage bolts.
- Bolt together using carriage bolt, 5/16 flat washer (FT2) and 5/16 nyloc nut (FT3).
- DO NOT TIGHTEN.
- Be sure to apply anti-seeze to all threads.



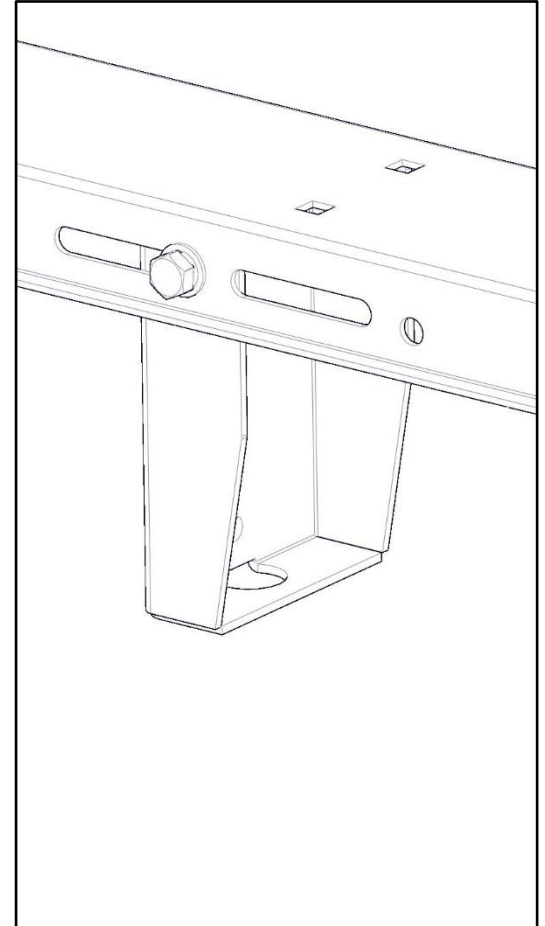
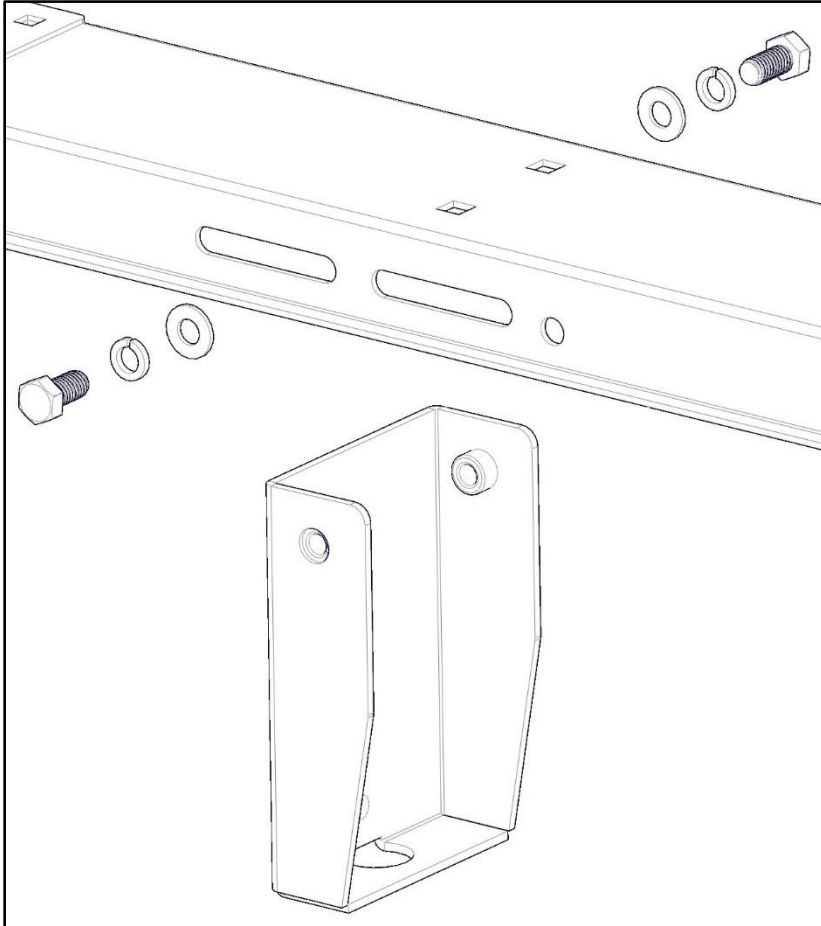
Step 8 – Set Distance

- Set center to center distance from rear foot at 71.5" or 96". If using the extension, set at 96".



Step 9 – Mount Feet to Rack

- Determine if the rack is being assembled on the vehicle or if the rack will be assembled off the vehicle and set on top of installed feet.
- In either case, bolt bows to feet using 3/8-16 x .75 hex head (FT4), a 3/8 lock washer (FT5) and a 3/8 flat washer (FT6) in order shown.



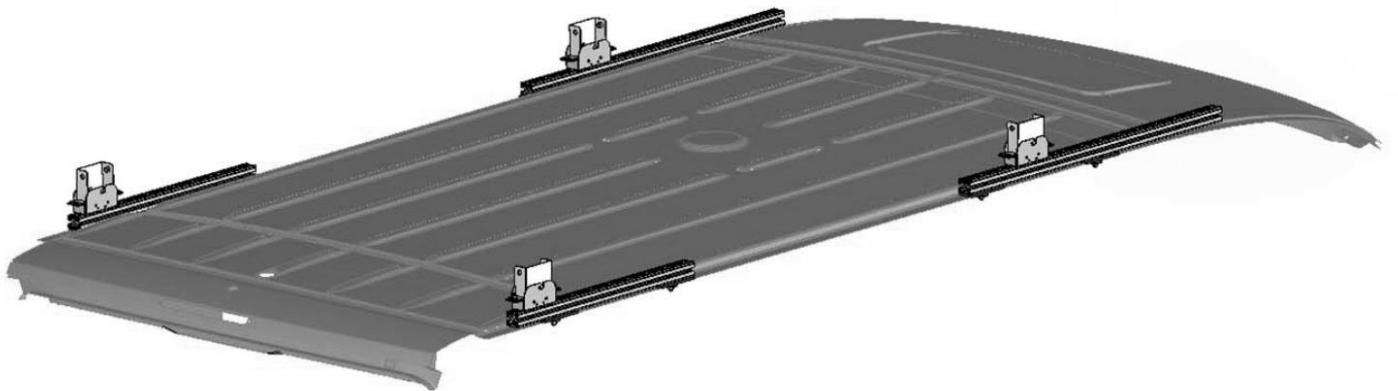
GO BACK AND ENSURE ALL HARDWARE IS TIGHT
Your installation is now complete.



WE PUT EVERYTHING WITHIN REACH.

Installation Guide

40818 Sprinter



***PLEASE READ ALL INSTRUCTIONS AND WARNINGS PRIOR TO ASSEMBLING,
INSTALLING, AND USING THIS PRODUCT***

Warning



Always check for wires, fuel tanks and lines, brake lines and other important vehicle functionality items prior to drilling and installing all products.

Tools Needed

1/2" Socket and Wrench	9/16" Socket and Wrench
1/8" Allen Hex	13mm Socket and Wrench
Tape Measure	

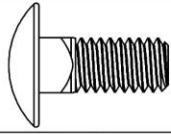
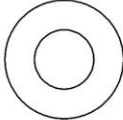

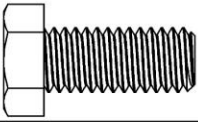
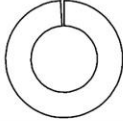
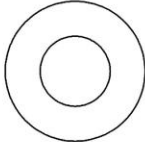
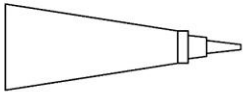
Table of Contents

Rack Mount Hardware List	2
Sprinter Parts List	3
NV Assembly Hardware List	4
Step 1 – Cut Mount Rail	4
Step 2 – Prepare Extrusion	5
Step 3 – Locate Mount Holes	5
Step 4 – Attach Mount Rails	6
Step 5 – Attach Mount Block	7
Step 6 – Attach Mount Foot	8
Step 7 – Mount Feet to Rack	9

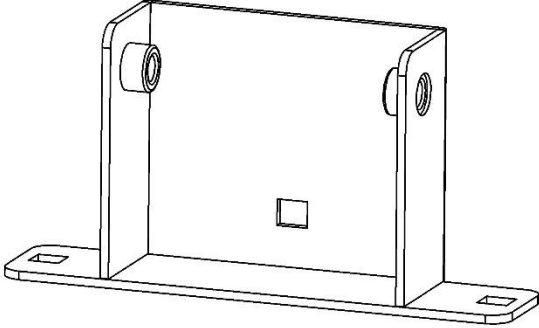
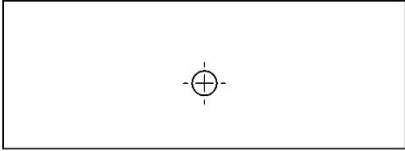

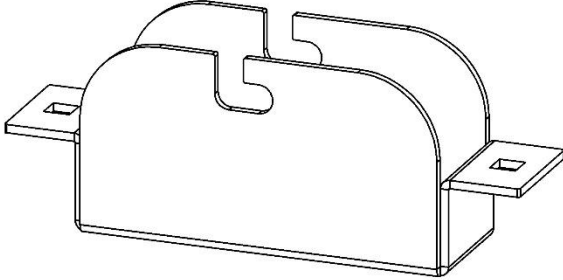
Before You Begin

- Read all instructions.
- Use Anti-Seeze on all threads.
- When mounting to the roof, place generous amounts of E6000 to seal the interior of van from the exterior elements. E6000 will be in the rack assembly.
- Follow assembly instructions to assemble and install rack.

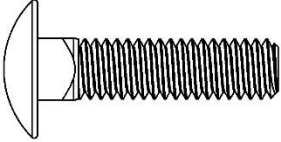
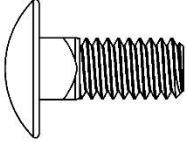
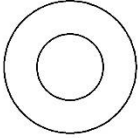
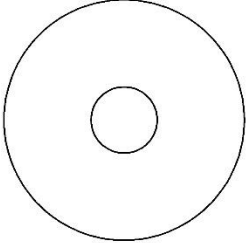

Mount Hardware

ITEM NO.	18-40818-FT	DESCRIPTION	PART NUMBER	QTY.
FT1		.312-18 x .75 Carriage SS	92356A581	16
FT2		.312 Flat Washer SS	96659A107	16
FT3		.312-18 Nyloc SS	91831A030	16
FT4		.375-16 x .75 HH SS	92240A622	8
FT5		.375 Split Lock Washer SS	92146A031	8
FT6		.375 Flat Washer SS	96659A108	8
		Anti-Seeze	Anti-Seeze	1

Sprinter Mount Parts

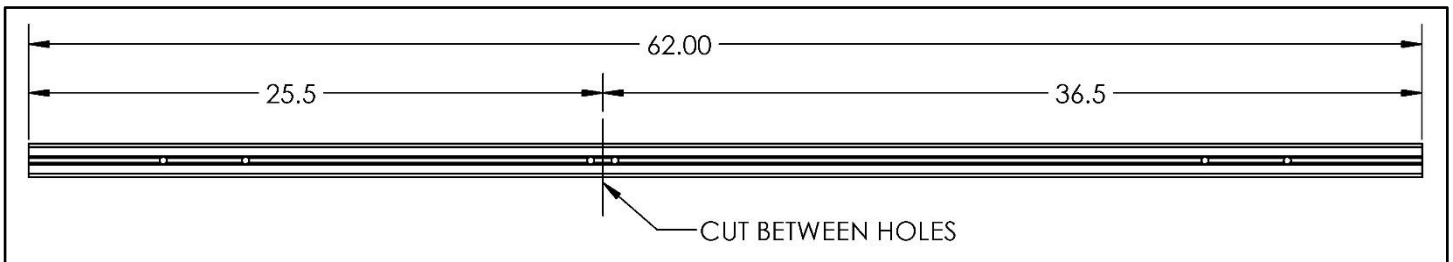
ITEM NO.	Sprinter Mount Parts	PART NUMBER	DESCRIPTION	QTY.
A		40818-10	Short Foot Bracket	4
B		40818-10-003-R1	Transit and Sprinter Rubber Pad	8
C		40818-20-001-R1	62in Extrusion	2
D		40818-20-003-R2	Mount Block	4

Sprinter Mount Hardware

ITEM NO.	18-40818-S	DESCRIPTION	PART NUMBER	QTY.
1		.312-18 x 1.25 Carriage SS	92356A589	8
2		.312-18 x .75 Carriage SS	92356A581	8
3		.312 Flat Washer SS	96659A107	8
4		.312 x 1.25 OD Fender Washer SS	90313A111	8
5		.312-18 Nyloc SS	91831A030	16

Step 1 – Cut Mount Rail

- Cut 62" extrusion (C) between the two close holes in the location shown.

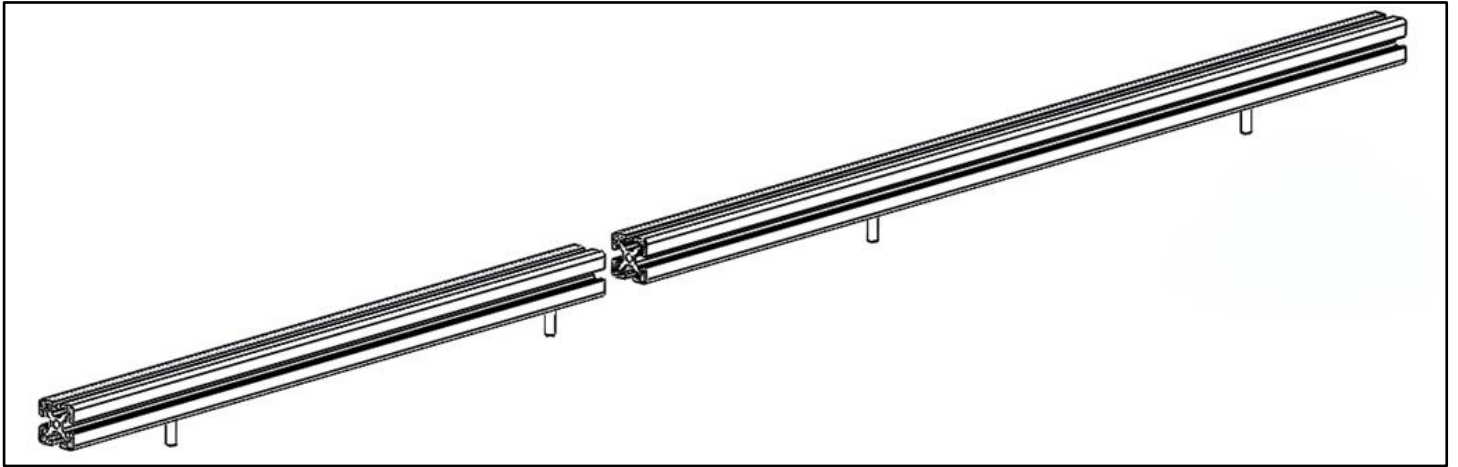
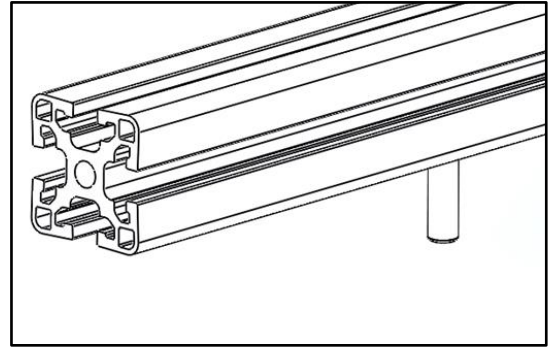
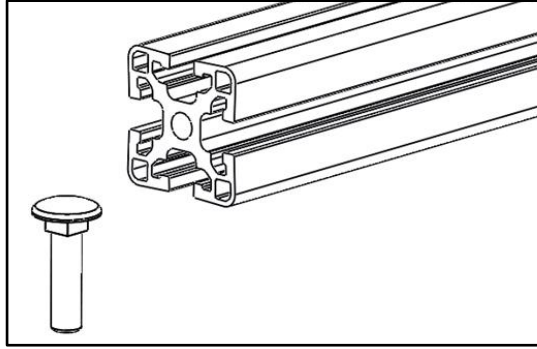


- The short rail is for the rear. The longer section is for the front.



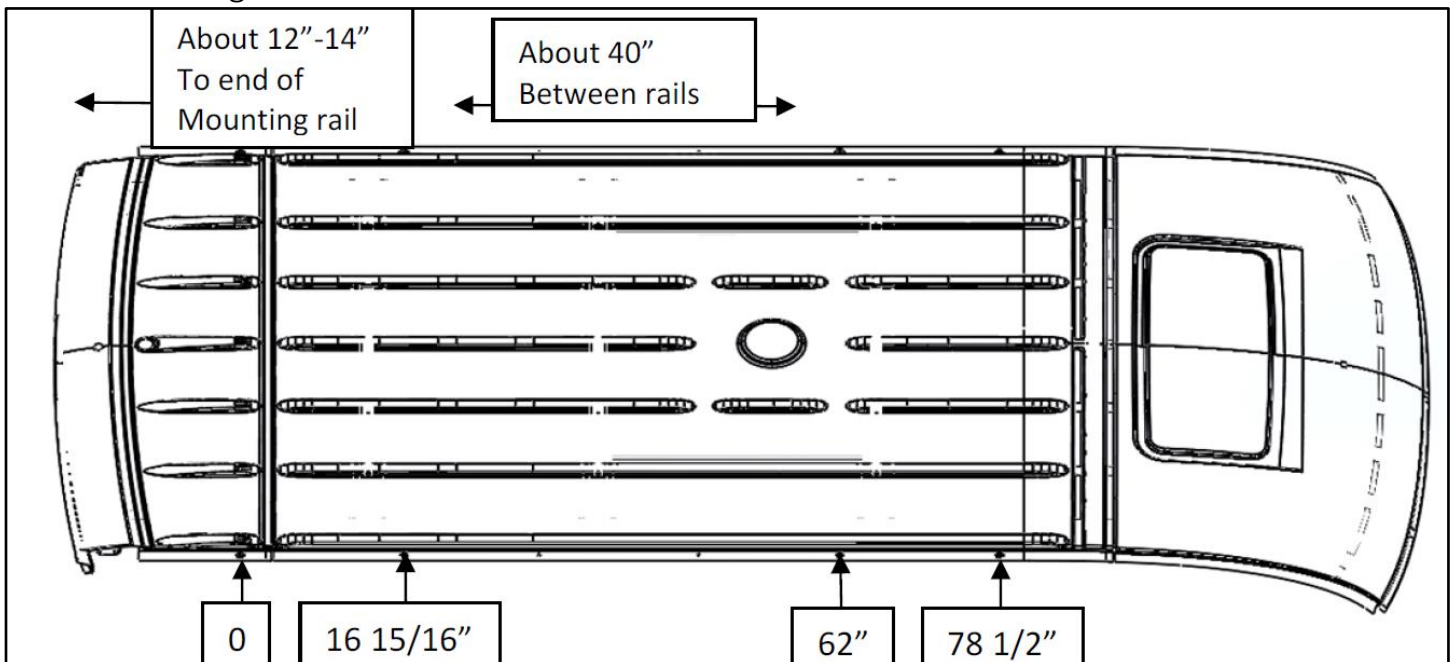
Step 2 – Prepare Extrusion

- Slide two 5/16 x 1.25 carriage bolts (1) into each rail piece.



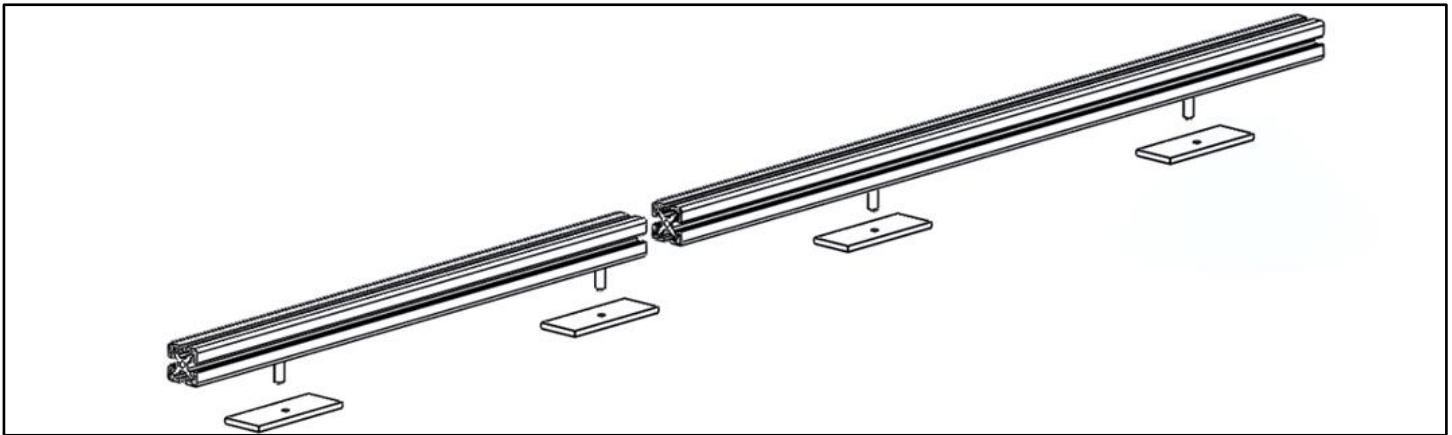
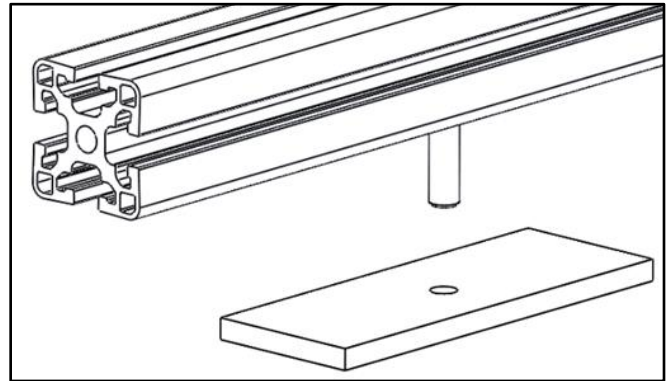
Step 3 – Locate Mount Holes

- Locate the 2 rear most factory bosses and drill out using a 5/16" drill bit.
- Skip the next 2 bosses, then drill the forward 2 (@ 62" and 78.5" from the rear most hole).
- Some roof heights and wheelbases will vary, your mounting rail should allow for the rack to be mounted between 14" to 18" from the rear of the van and have approximately 40" between the mounting rails.

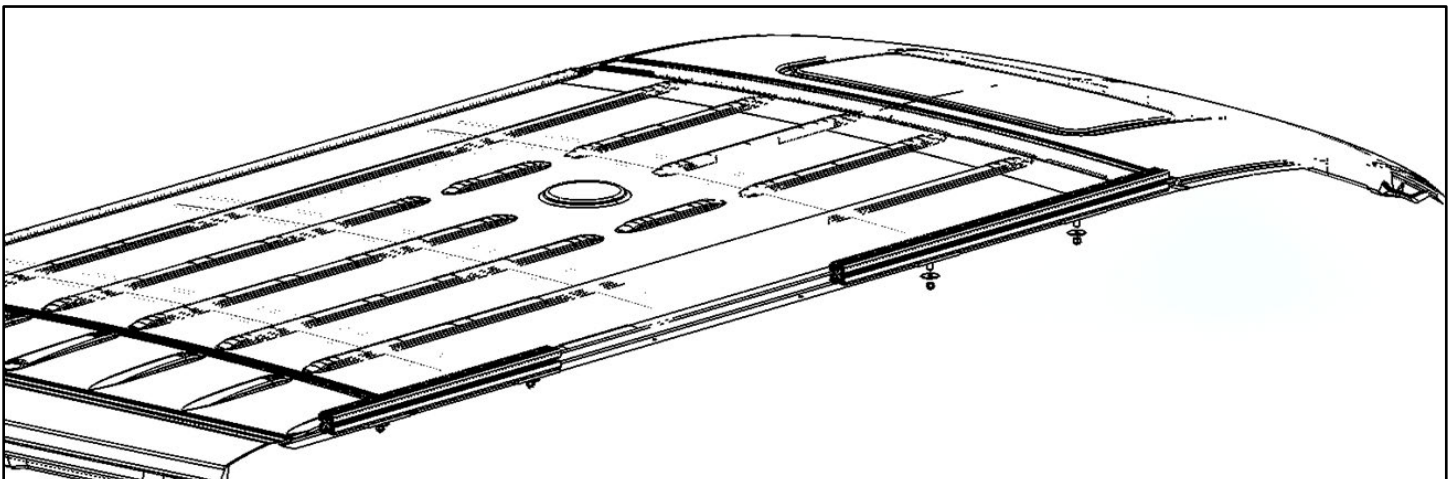
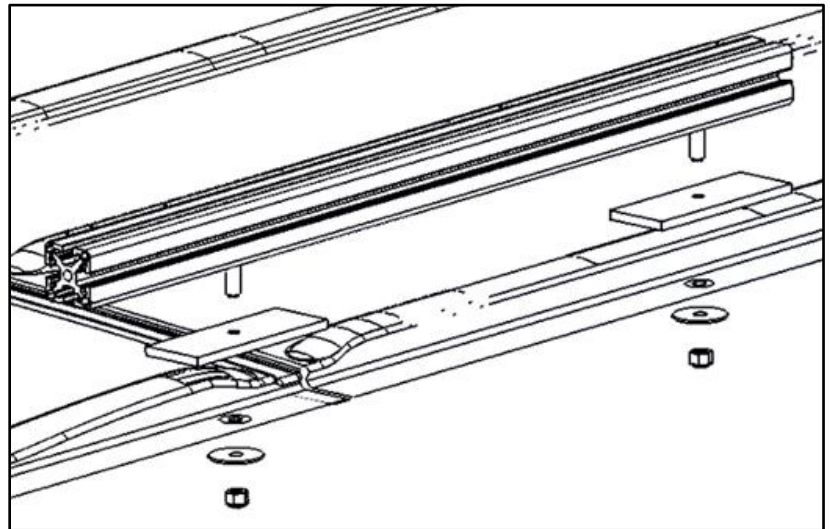


Step 4 – Attach Mount Rails

- Put rubber pad (B) onto carriage bolts and align them with the holes drilled in previous step.
- Place E6000 in between rubber pad and the roof.
- The shorter rail goes to the rear of the van with approximately 6" of the rail behind the carriage bolt.

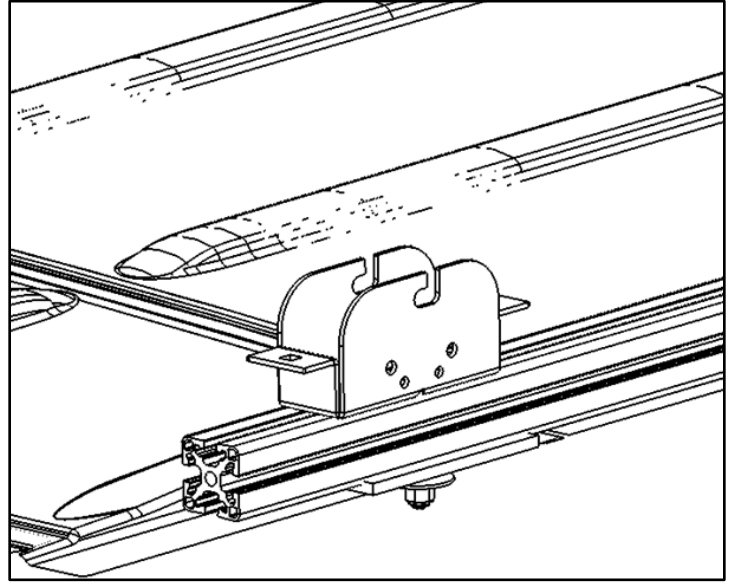
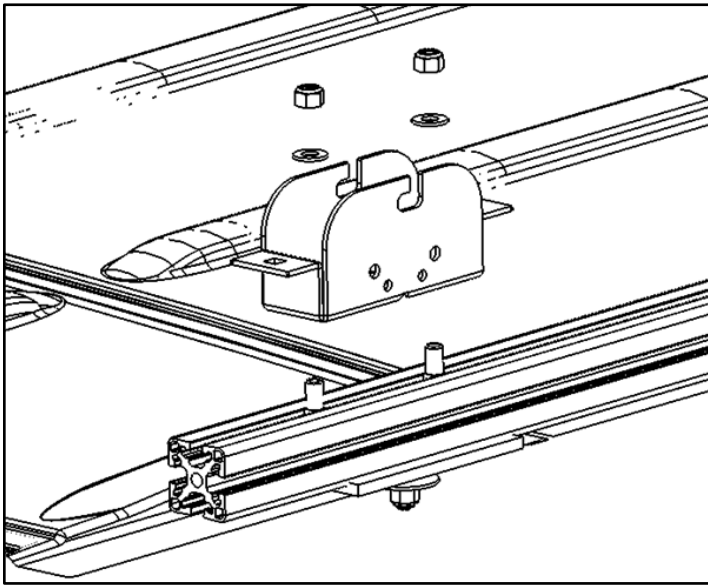


- Bolt through the roof using previously installed carriage bolt, 5/16 fender washer (4) and 5/16 nyloc nut (5).
- Be sure to put E6000 around the hole in the roof to ensure no water leaks into van.
- Place Anti-Seeze on all threads.
- Snug Tighten, But allow movement.
- Have approximately 40" in between the front and rear rails. Repeat on driver side.

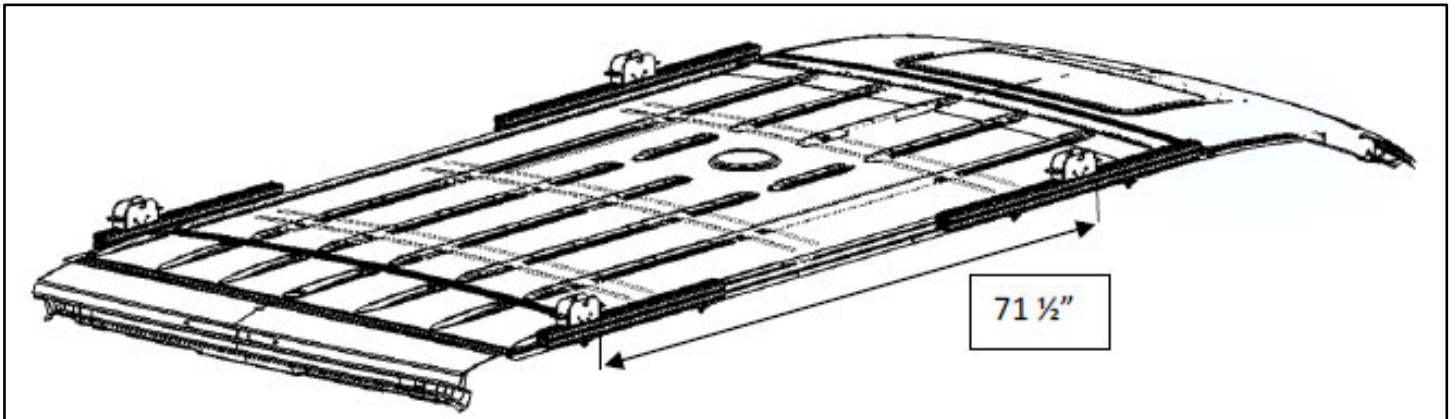


Step 5 – Attach Mount Block

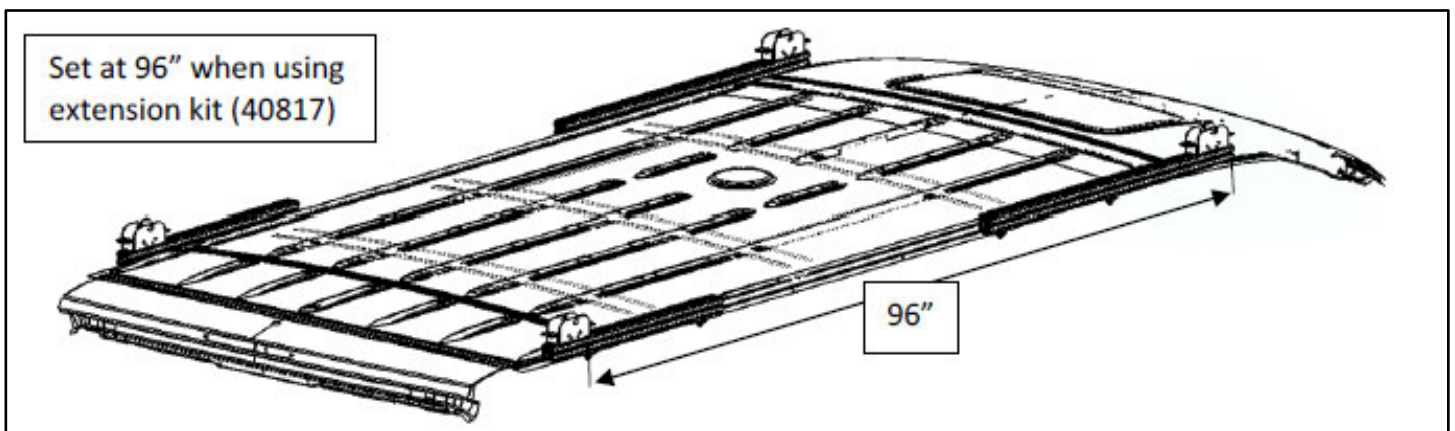
- Slide two 5/16 x .75 carriage bolts into the top slot on each rail piece.
- Place mount block (D) on top of each carriage bolt. Bolt using the carriage bolt, two 5/16 flat washers and two 5/16 nyloc nuts.



- Space mount blocks 71.5" apart for a standard installation.

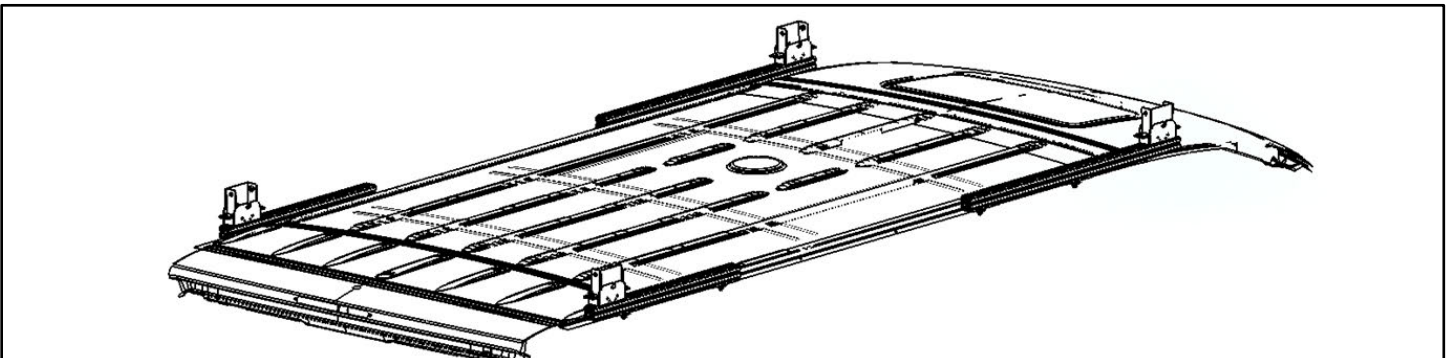
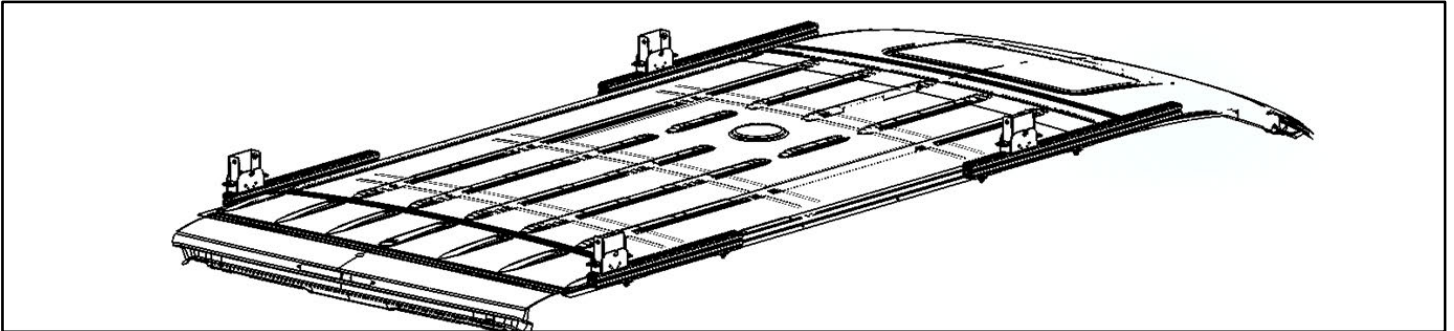
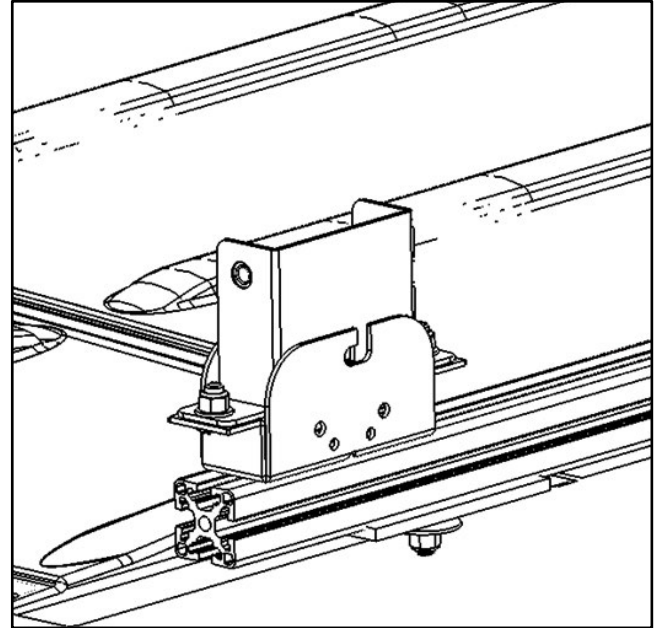
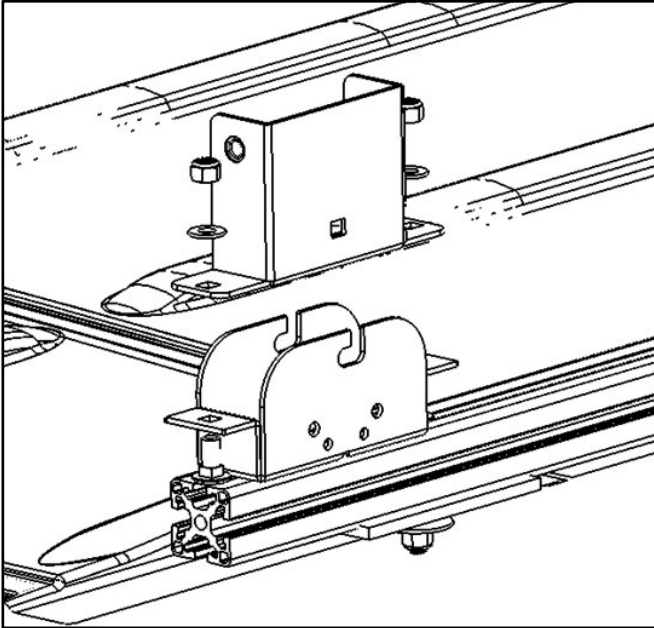


- Space mount blocks 96" apart for an extended installation.



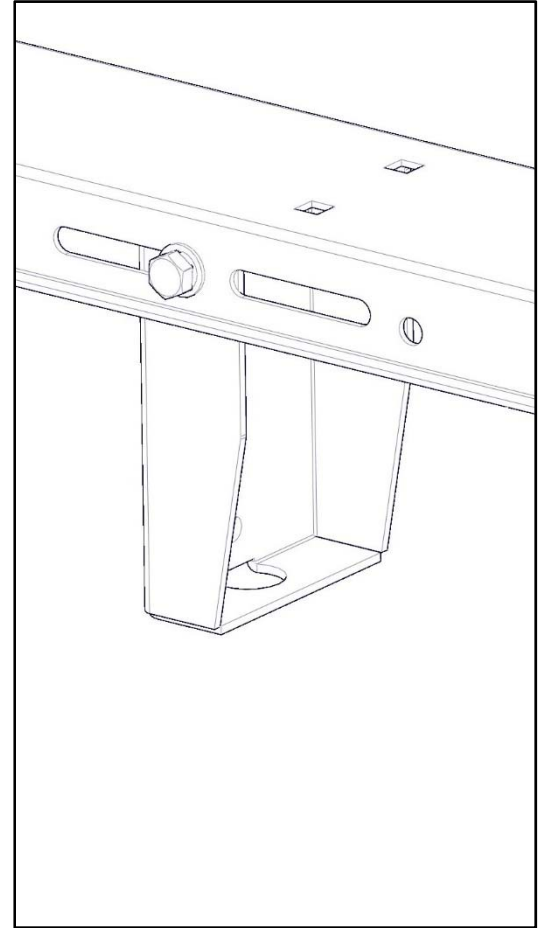
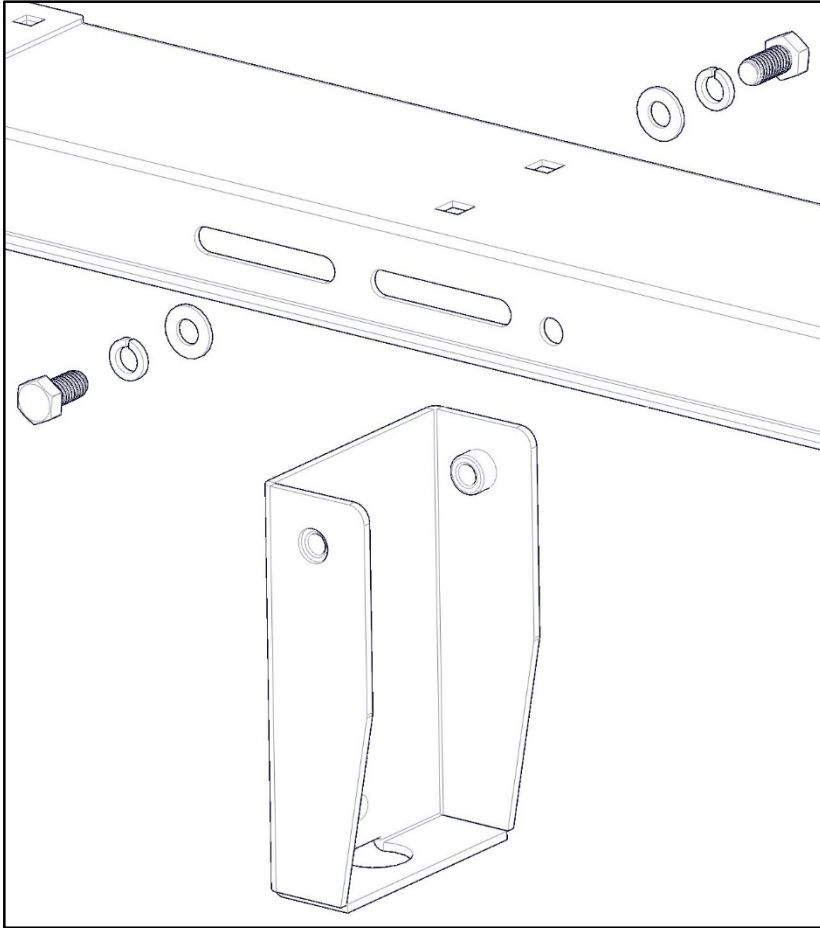
Step 6 – Attach Mount Foot

- Mount short feet (A) to previously installed mount blocks using two 5/16 x .75 carriage bolts, two 5/16 flat washers and two 5/16 nyloc nuts.
- The carriage bolt can face upward or downward based on preference.
- Repeat on all four mount blocks.
- Be sure to put Anti-Seeze on all threads.



Step 9 – Mount Feet to Rack

- Determine if the rack is being assembled on the vehicle or if the rack will be assembled off the vehicle and set on top of installed feet.
- In either case, bolt bows to feet using 3/8-16 x .75 hex head (FT4), a 3/8 lock washer (FT5) and a 3/8 flat washer (FT6) in order shown.



GO BACK AND ENSURE ALL HARDWARE IS TIGHT
Your installation is now complete.