

---

# **KARGO MASTER<sup>®</sup>**

**WE PUT EVERYTHING WITHIN REACH.**

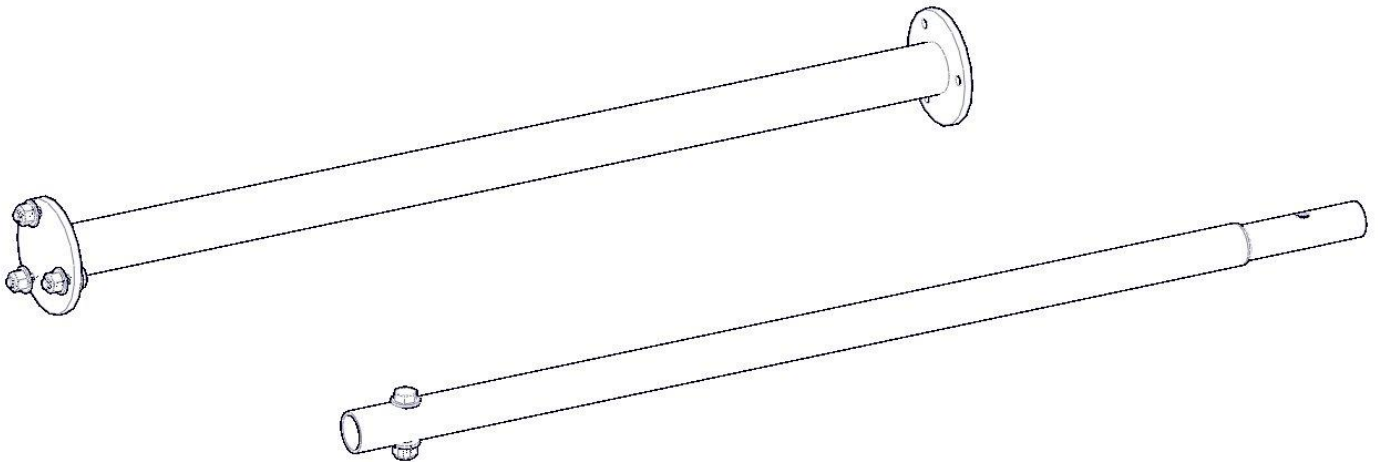
---

## Installation Instructions

---

40817

---



---

**\*PLEASE READ ALL INSTRUCTIONS AND WARNINGS PRIOR TO ASSEMBLING,  
INSTALLING, AND USING THIS PRODUCT\***

---

## Warning



Always check for wires, fuel tanks and lines, brake lines and other important vehicle functionality items prior to drilling and installing all products.

---

## Tools Needed

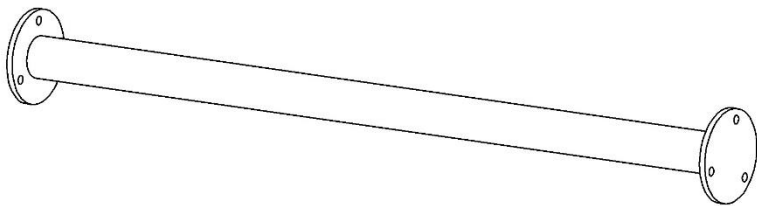
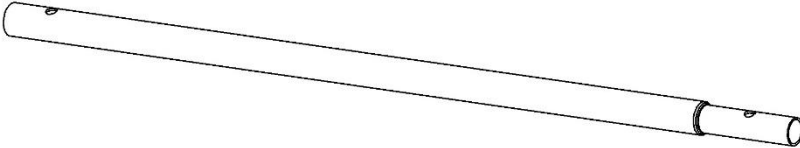
7/16" Socket and Wrench	1/2" Socket and Wrench
-------------------------	------------------------

---

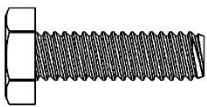
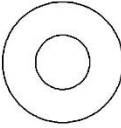
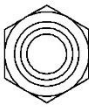
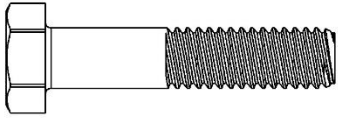
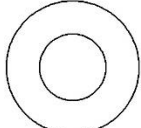

## **Before You Begin**

- Read all instructions.

## Parts

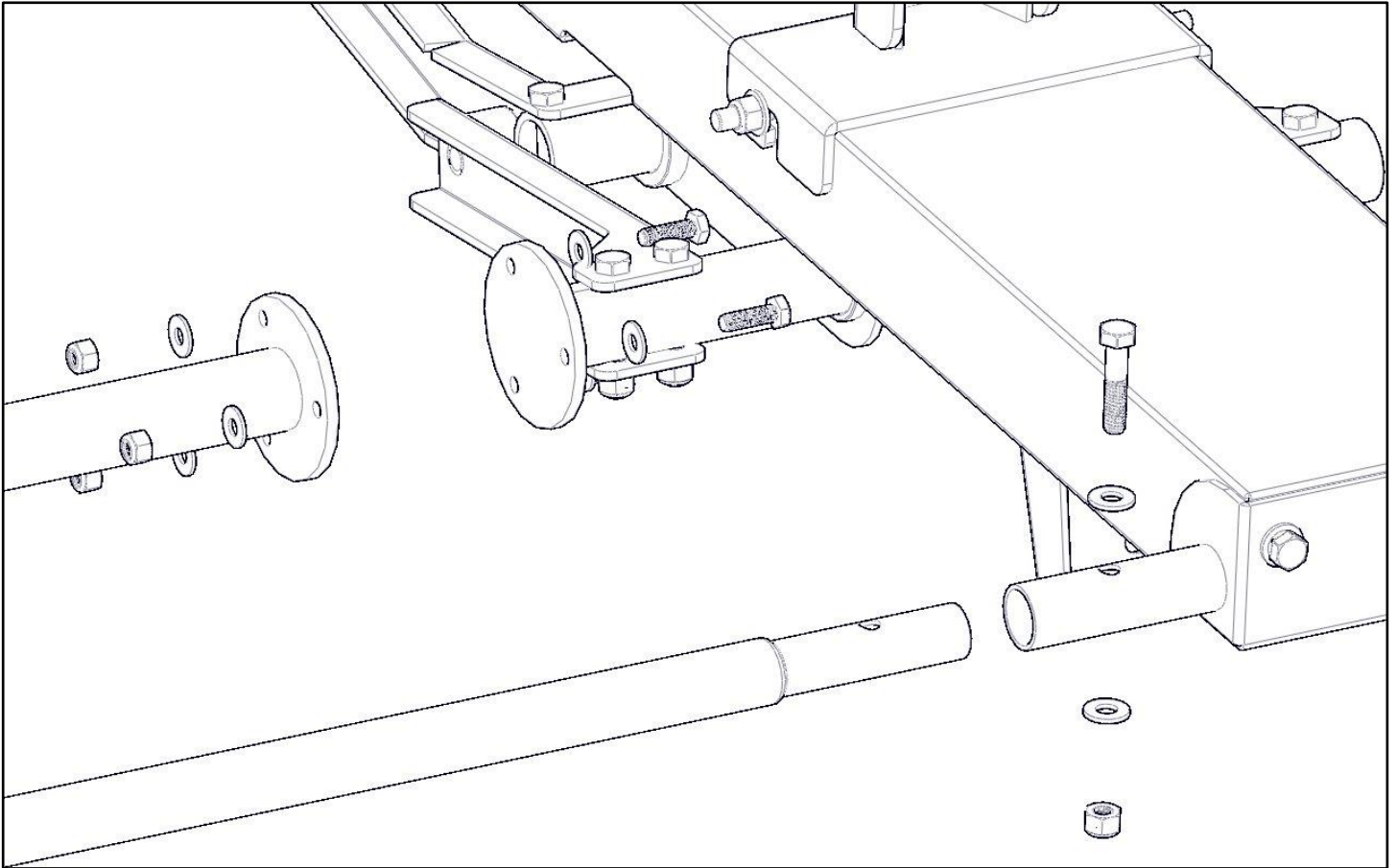
ITEM NO.		PART NUMBER	DESCRIPTION	QTY.
A		40993-25	Torque Tube Extension Assembly	1
B		40900-30-014	Support Tube Extension	1
		18-40817	Drop Down Extension Hardware	1

## Hardware

ITEM NO.	TO SCALE	DESCRIPTION	PART NUMBER	QTY.
1		.25-20 x .875 Hex Bolt	92865A541	3
2		.25 Flat Washer	90126A029	6
3		.25-20 Nyloc	97135A210	3
4		.312-18 x 1.5 HH	91247A587	1
5		.312 Flat Washer	90126A030	2
6		.312-18 Nyloc	95615A160	1

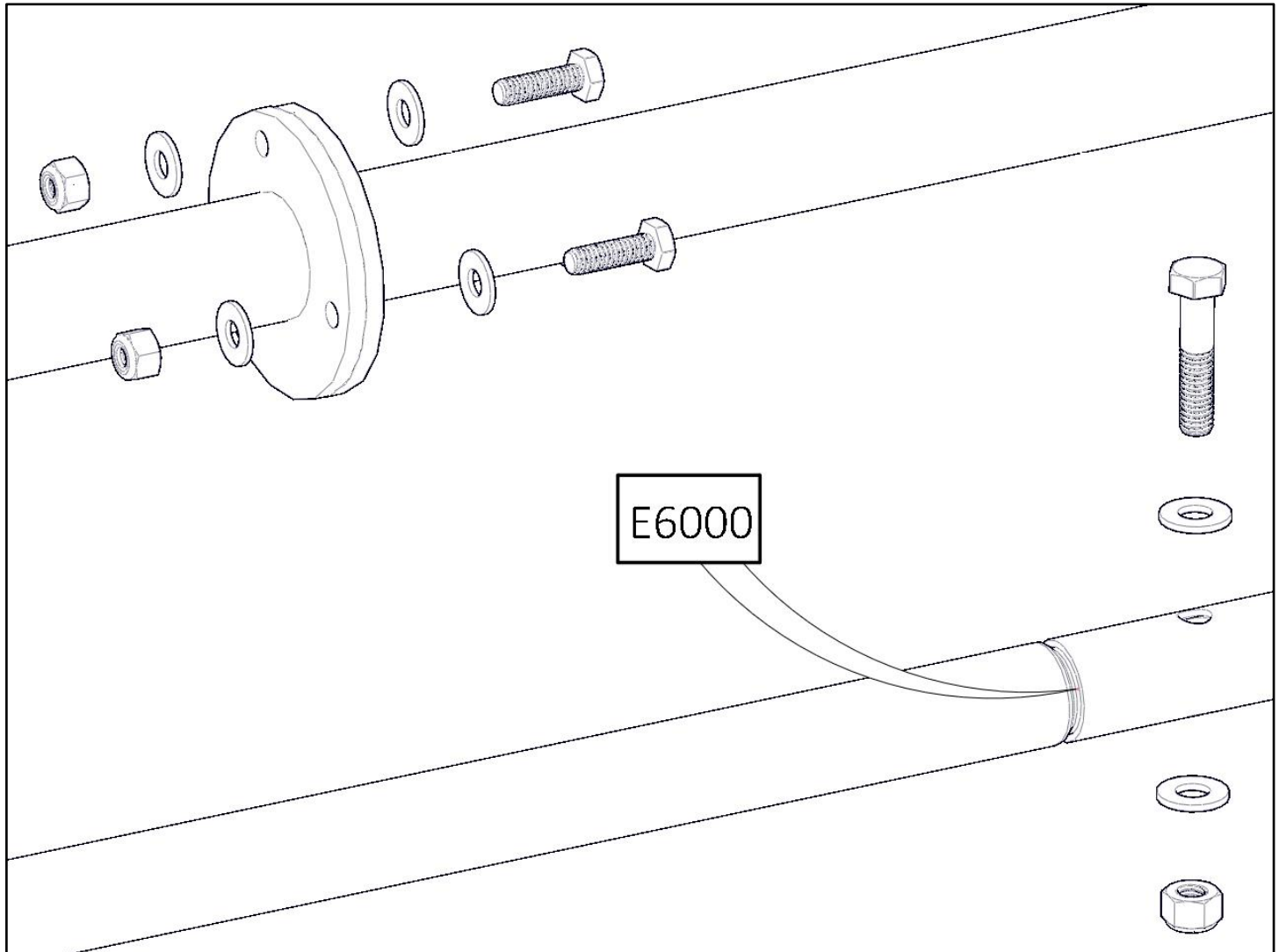
## Step 1 – Separate Bows

- If ladder rack is already assembled, removed the 1/4 hardware from the torque tube and the 5/16 hardware from the support tube to separate the two bows.
- If assembling for the first time, Skip this step.



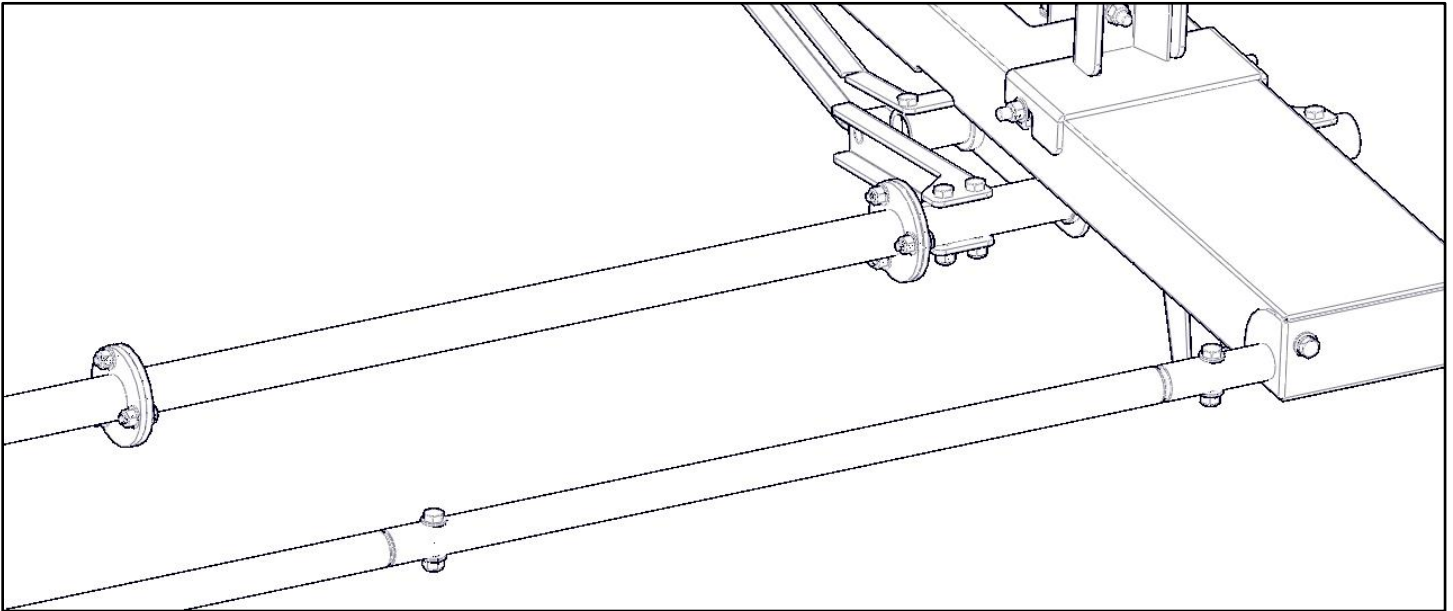
## Step 2 – Install Extenders

- Separate the bows to about 92”.
- Insert the torque tube extension assembly where the three holes line up. Bolt together using 1/4” hardware from this 40817 kit and original hardware from ladder rack.
- Insert the support tube extension and bolt together using 5/16” hardware. Be sure to put E6000 in the swedge connection.



### Step 3 – Attach Bows

- Repeat Step 1 in opposite direction.
- Re-attach the extended torque tube and the extended tube extension to the other bow.



GO BACK AND ENSURE ALL HARDWARE IS TIGHT  
Your installation is now complete.

