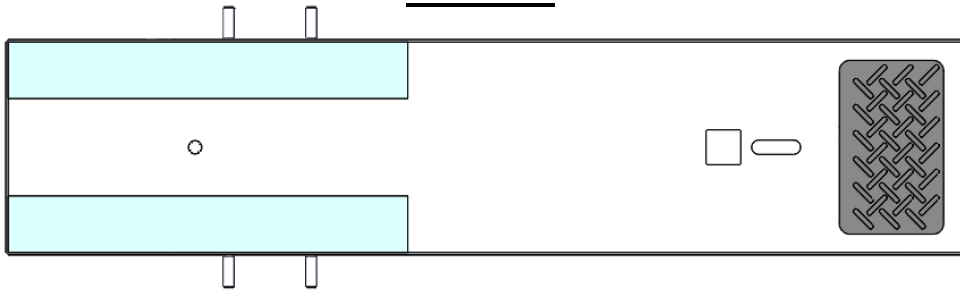


# KARGO MASTER®

**WE PUT EVERYTHING WITHIN REACH.**

**40816**



**Ladder Pan Assy.**



**Pan Support Tube Assy.**



**Support Tube Connecting Bracket**








**Stiffener Connecting Bracket**



**Protector Tape**

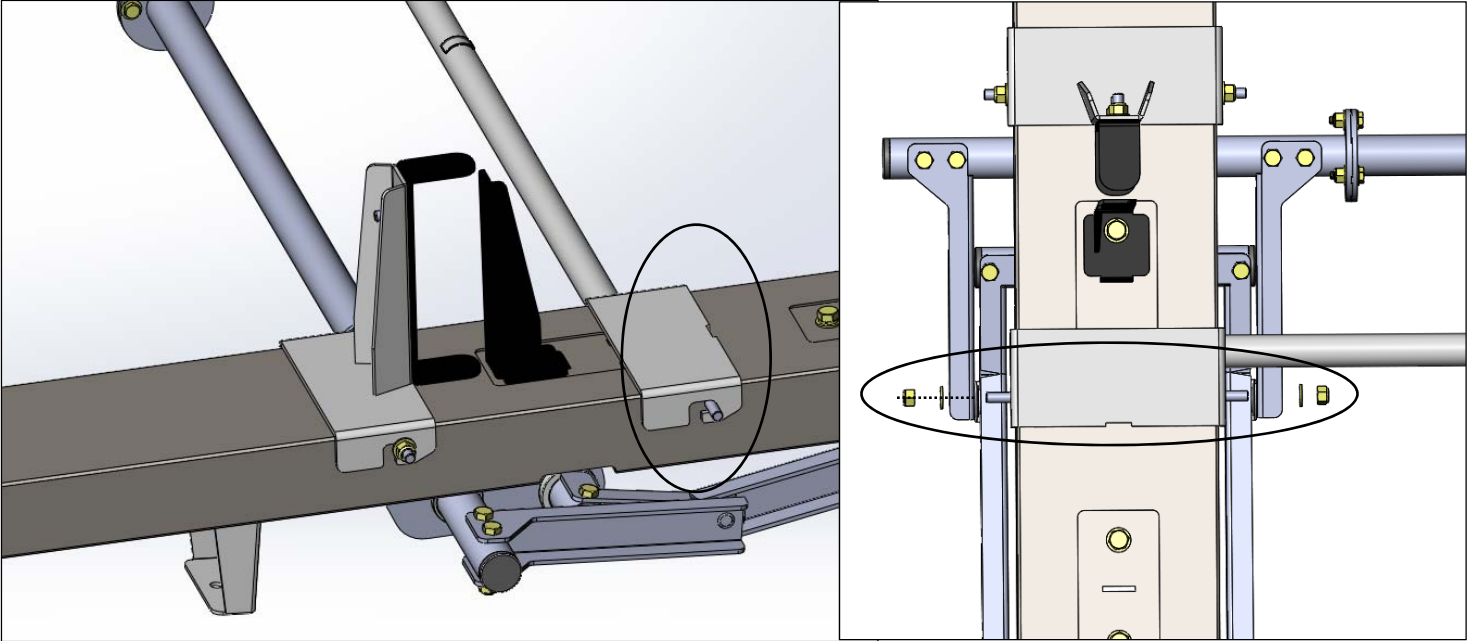
## **Hardware List**

<p>(a) Qty 4 – 5/16" Flat Washer</p>		<p>(b) Qty 4 – 5/16" -18 Nyloc Nut</p>	
<p>(c) Qty 1 – 3/8" Flat Washer</p>		<p>(d) Qty 1 – 3/8" -16 Nyloc Nut</p>	
<p>(e) Qty 1 – 3/8"-16 x 1" Hex Bolt</p>			

## 40816 Installation Instructions

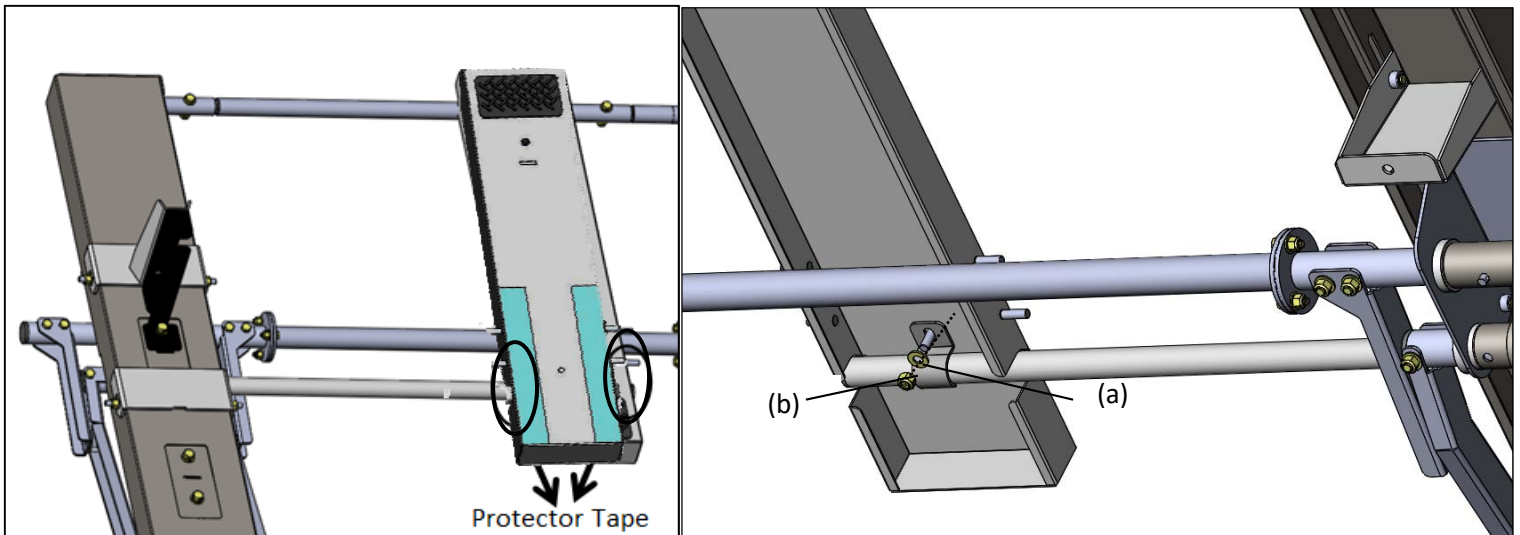
### Step 1

Attach pan support tube assembly to the rear pan of the drop down ladder rack on 5/16" studs that are closest to the center of the vehicle. Secure the bracket with flat washer (a) and nyloc nut (b) on both sides.



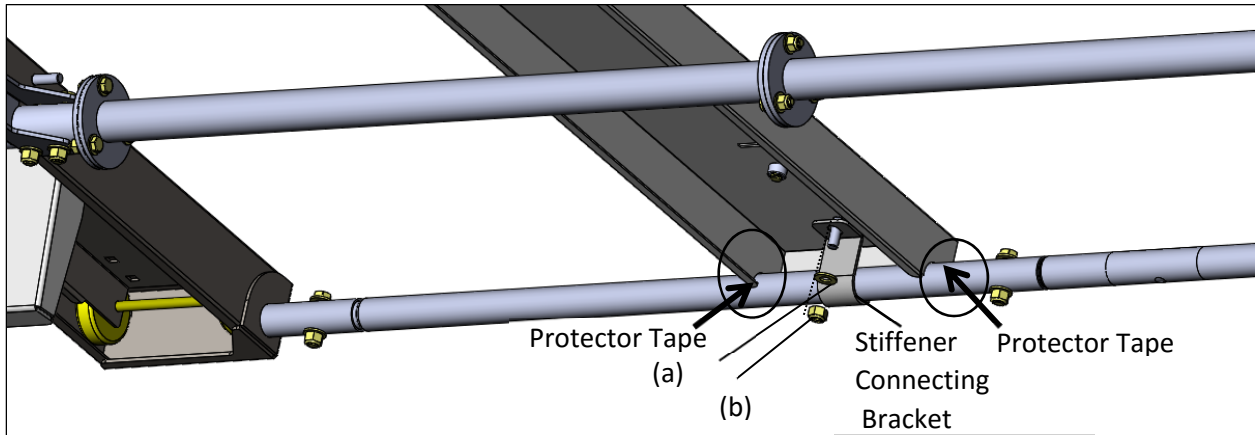
### Step 2

Attach the ladder pan to the support tube and make sure the protector tape on the tube is right below the ladder pan. Secure the ladder pan using support tube connecting bracket (the shorter bracket) with flat washer (a) and nyloc nut (b).



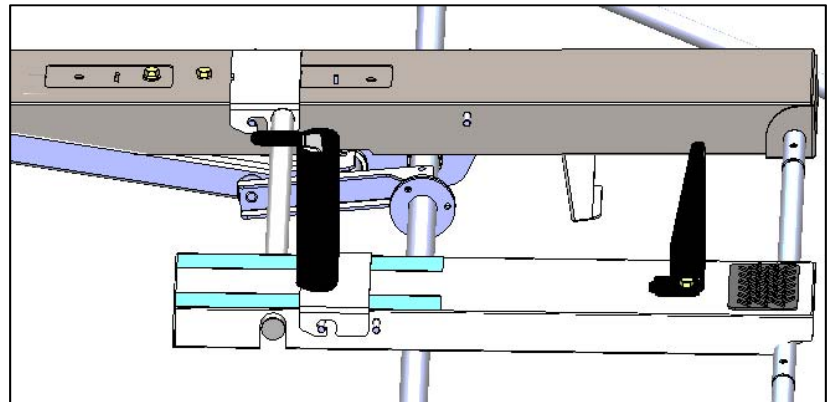
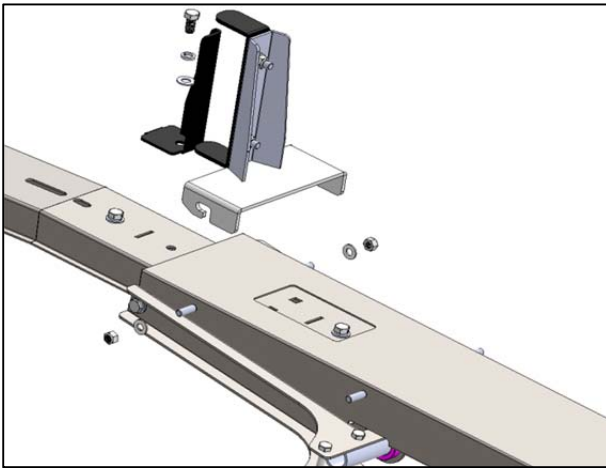
### Step 3

Use the protector tape included in the bolt kit on the Support Tube just below the extension pan to prevent paint from scratching. Attach the stiffener connecting bracket to 5/16" stud in desired location and the stiffener. Secure the bracket with flat washer (a) and nyloc nut (b).



### Step 4

Detach the Ladder Hook and Ladder Stop on the original pan, and install onto the new extension kit as shown. Attach ladder hook to ladder pans on 5/16" studs in desired location. Attach ladder stop to coincide with ladder hook by using 3/8"-16 x 1" Hex bolt(e), 3/8" flat washers(c), 3/8" nyloc nut(d) and placing stop so the tab on the stop goes into the corresponding hole and slot.



The installation is complete.

