

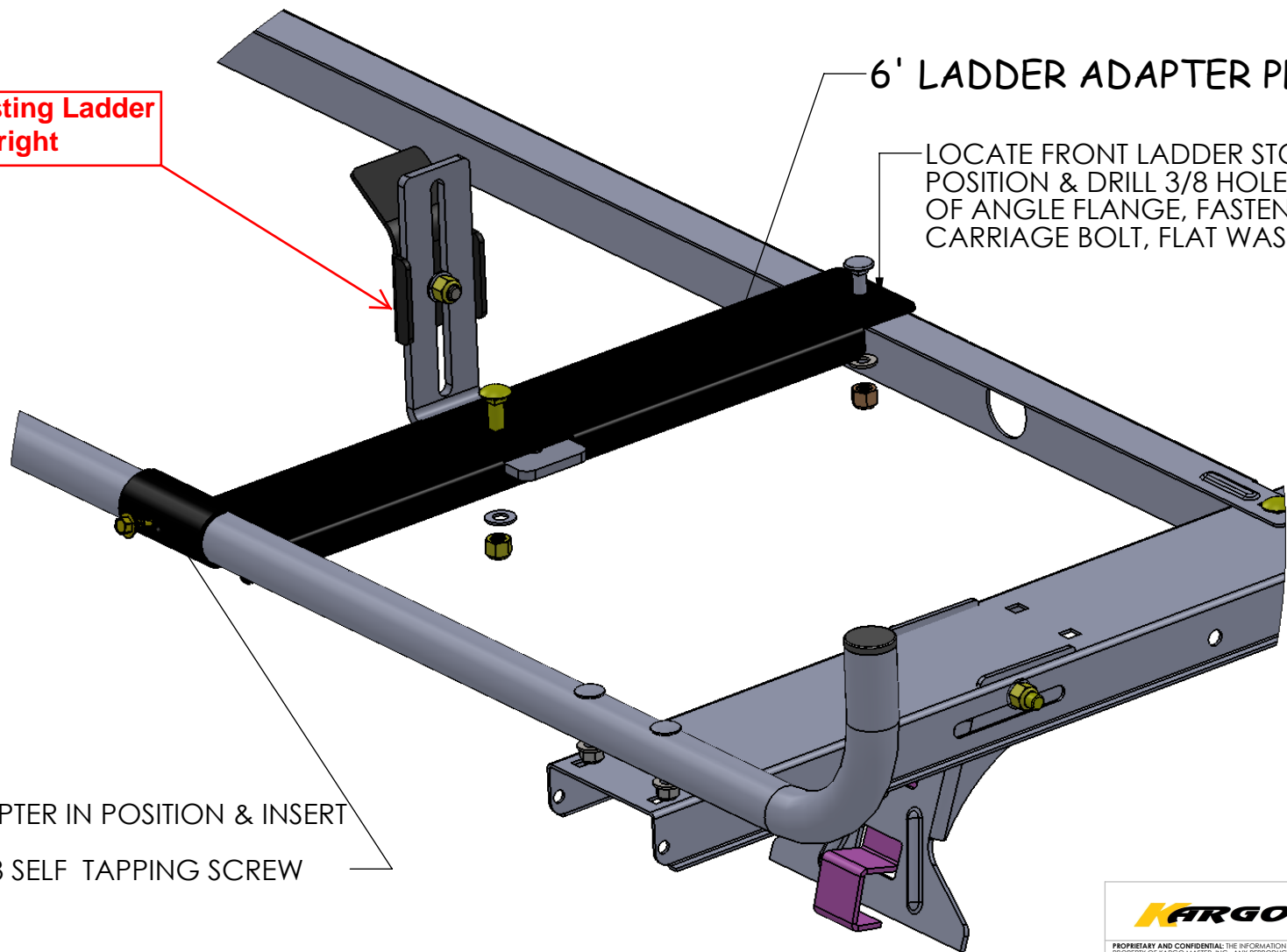
Project: Material: Finish: Date: Update: Dwn By:

Use existing Ladder Stop Upright

6' LADDER ADAPTER PLATE

LOCATE FRONT LADDER STOP IN DESIRED POSITION & DRILL 3/8 HOLE THRU TOP OF ANGLE FLANGE, FASTEN WITH 5/16X 3/4 CARRIAGE BOLT, FLAT WASHER, LOCK NUT.

CLAMP ADAPTER IN POSITION & INSERT # 10-16 X 5/8 SELF TAPPING SCREW



PROPRIETARY AND CONFIDENTIAL THE INFORMATION CONTAINED IN THIS DRAWING IS THE SOLE PROPERTY OF KARGO MASTER, INC. ANY REPRODUCTION IN PART OR AS A WHOLE WITHOUT THE WRITTEN PERMISSION OF KARGO MASTER, INC. IS PROHIBITED.

Description: REV

DWG #: 40803 SIZE A

UNLESS OTHERWISE SPECIFIED:
DIMENSIONS ARE IN INCHES
TOLERANCES:
FRACTIONS: ± 1/32
ANGULAR: ± 1°
TWO PLACE DECIMAL: ± 0.01
THREE PLACE DECIMAL: ± 0.005

SCALE 1:32

ITEM # QTY

cu. in Wt: lb Sheet 1 of 1

5

4

3

2

1