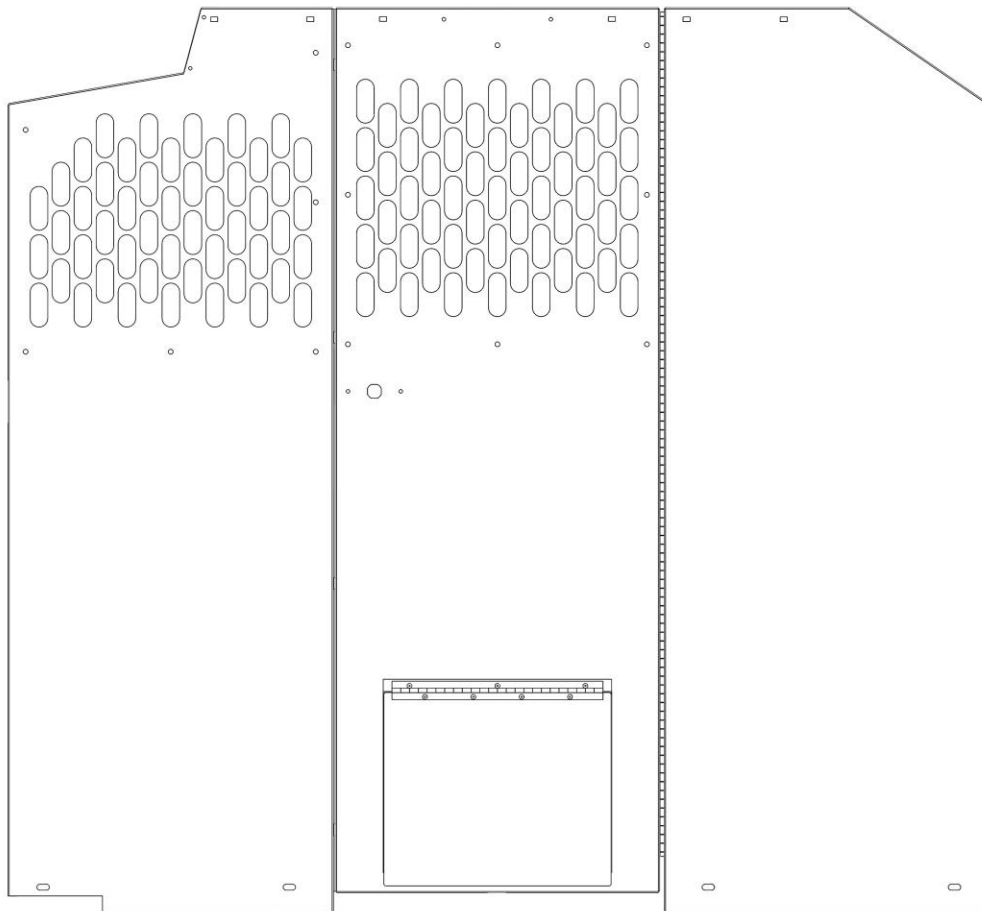




WE PUT EVERYTHING WITHIN REACH.

Assembly Guide

40645



PLEASE READ ALL INSTRUCTIONS AND WARNINGS PRIOR TO ASSEMBLING, INSTALLING, AND USING THIS PRODUCT

Warning



Always check for wires, fuel tanks and lines, brake lines and other important vehicle functionality items prior to drilling and installing all products.

Table of Contents

Tools Needed..... 1

Before You Begin 1

Parts..... 1

Hardware..... 2

Step 1 – Bolt Together..... 3

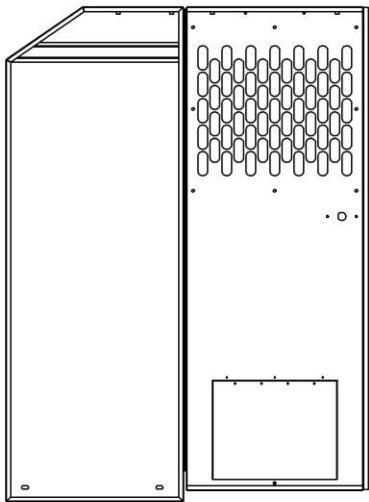
Tools Needed

3/8" Wrench and Socket	7/16" Wrench and Socket
------------------------	-------------------------

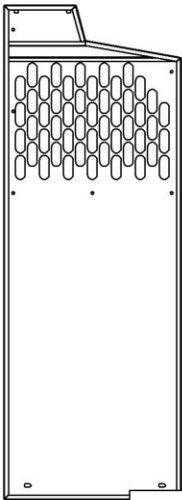
Before You Begin

- Read all instructions before installing any Kargo Master product.

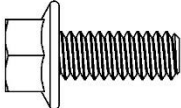

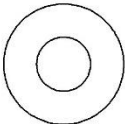
Parts

ITEM NO.	ITEM	PART NUMBER	DESCRIPTION	QTY.
1		100753	STANDARD PARTITION DS WITH DOGGY DOOR	1

Parts (Continued)

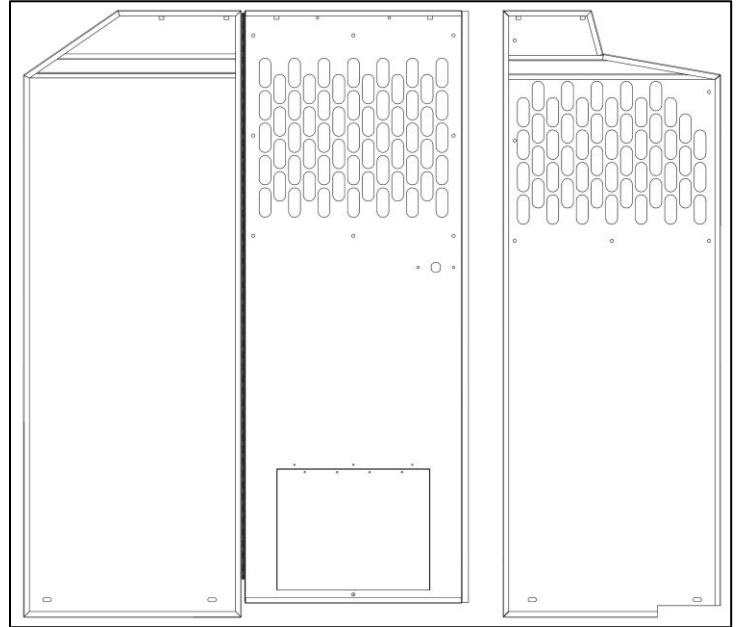
ITEM NO.	ITEM	PART NUMBER	DESCRIPTION	QTY.
2		40640-20	STANDARD PARTITION PS-ASM	1
3		18-40600	STANDARD PARTITION-HARDWARE	1

Hardware

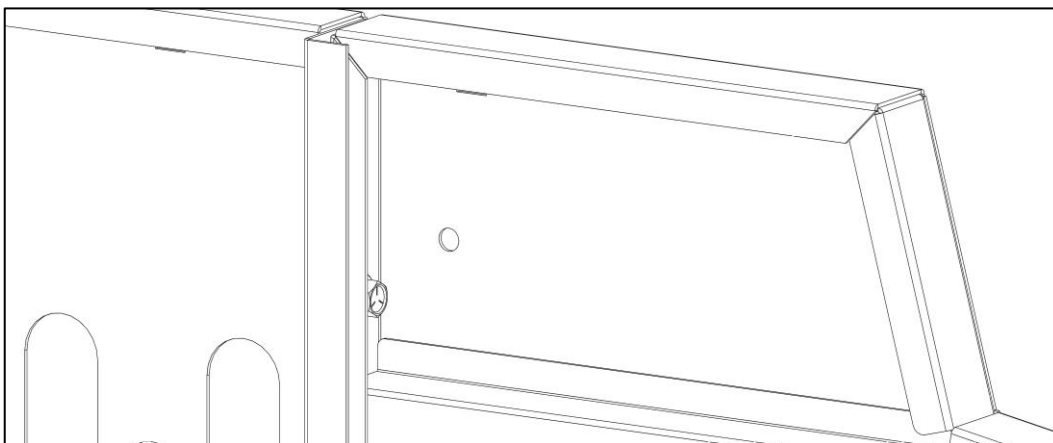
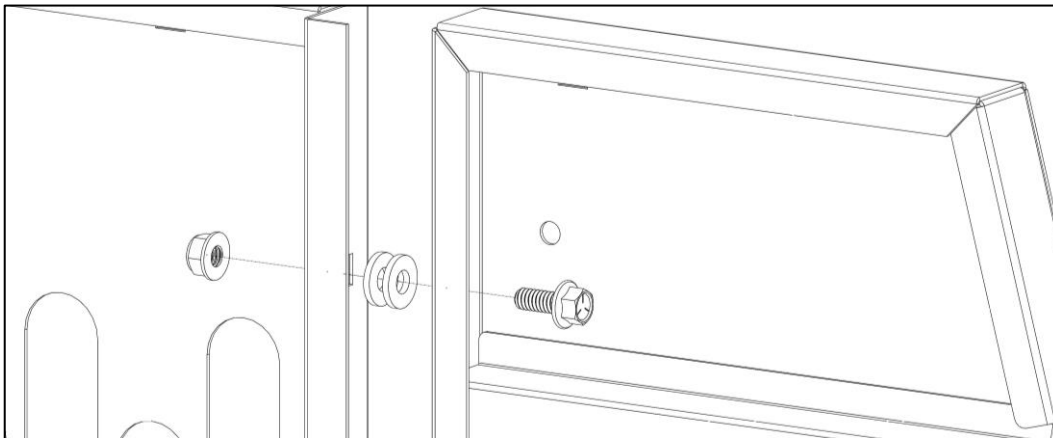
ITEM	HARDWARE TO SCALE	PART NUMBER	DESCRIPTION	QTY.
1		11106180	1/4"-20 X 5/8" FLANGED HEX HEAD	4
2			1/4"-20 FLANGED NYLON INSERT NUT	4
3		11541082	1/4" FLAT WASHER	8

Step 1 – Bolt Together

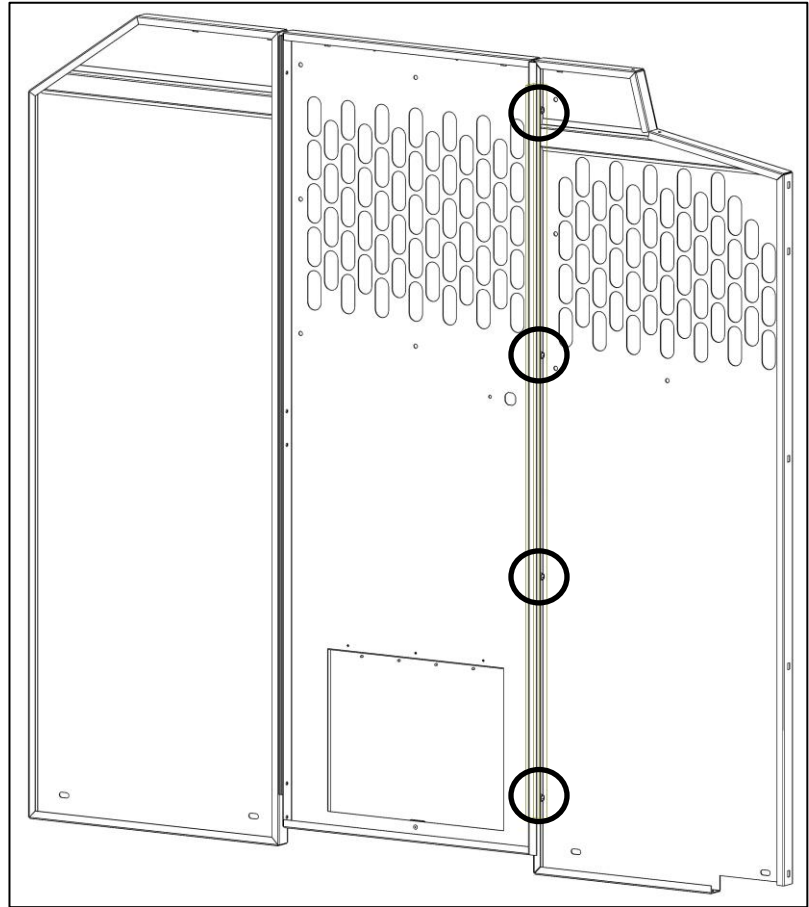
- Place both partition pieces flat on the ground or on a table as shown. Be sure to have the flanges facing upward so you can access the bolt holes.



- Bolt together using a 1/4" x 5/8" flanged hex bolt and a 1/4" flanged lock nut.
- If installing the Center Panel Latch & Door Lock Kit (40620), be sure to bolt two flat washers in between the two panels at each location. This is used to get correct spacing.
- **If no door kit is being used, the washers between panels are not needed.**



- Repeat 3 more times in the locations as shown below. Be sure to insert the washers between the panels if the door kit is being installed.
- Leave bolts snug tight to allow movement until partition is installed into vehicle.



Follow instructions of desired wing kit to install into vehicle.