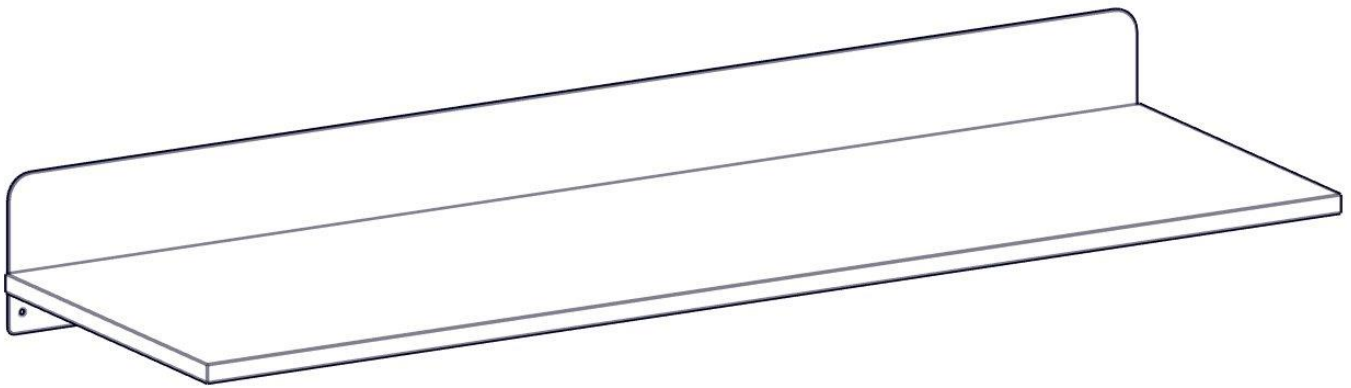

KARGO MASTER®

WE PUT EVERYTHING WITHIN REACH.

Installation Instructions

40552



*PLEASE READ ALL INSTRUCTIONS AND WARNINGS PRIOR TO ASSEMBLING,
INSTALLING, AND USING THIS PRODUCT*

Warning



Always check for wires, fuel tanks and lines, brake lines and other important vehicle functionality items prior to drilling and installing all products.

Tools Needed

Phillips Driver

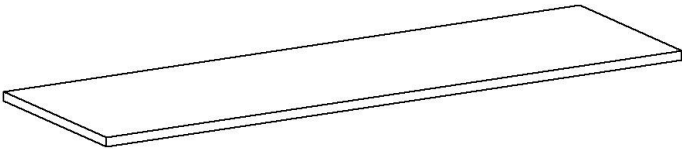
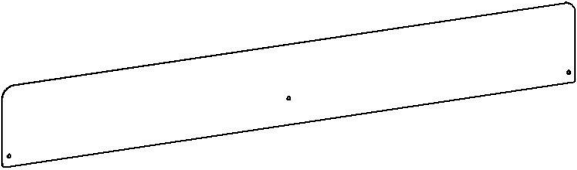
Table of Contents

Parts List	2
Hardware	2
Step 1 – Assemble Shelf	3
Step 2 – Prepare Shelf Unit	3
Step 3 – Install Back Splash	4
Step 4 – Install Bench Top	5

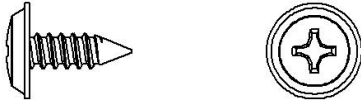
Before You Begin

- Read all instructions.
- Be sure to have a shelf unit to attach bench kit to.
- The images in the instructions are shown using a 32” wide shelf. The instructions are the same in this application.

Parts

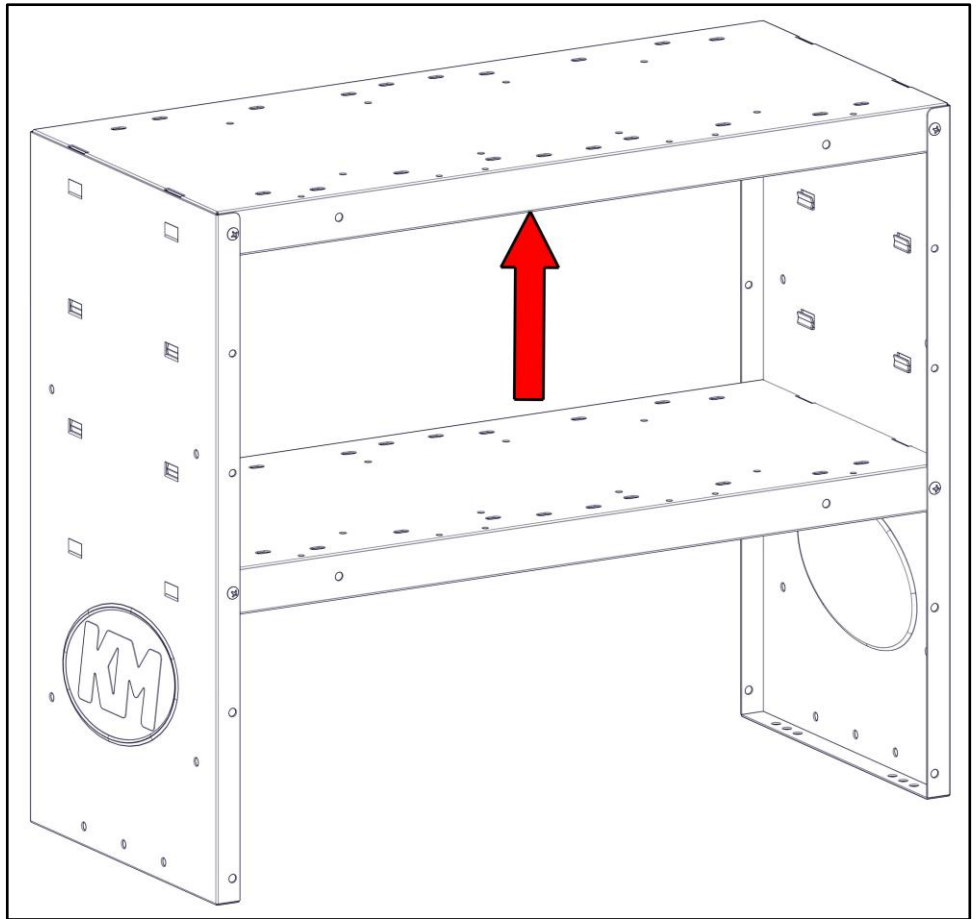
ITEM NO.		PART NUMBER	DESCRIPTION	QTY.
A		100573	BENCH TOP - 52"	1
B		48520-00-001	BACK SPLASH - 52"	1
		18-40552	HARDWARE	1

Hardware

ITEM NO.	TO SCALE	PART NUMBER	DESCRIPTION	QTY.
1		90398A244	No.10 x 5/8" Round Head Screw	5

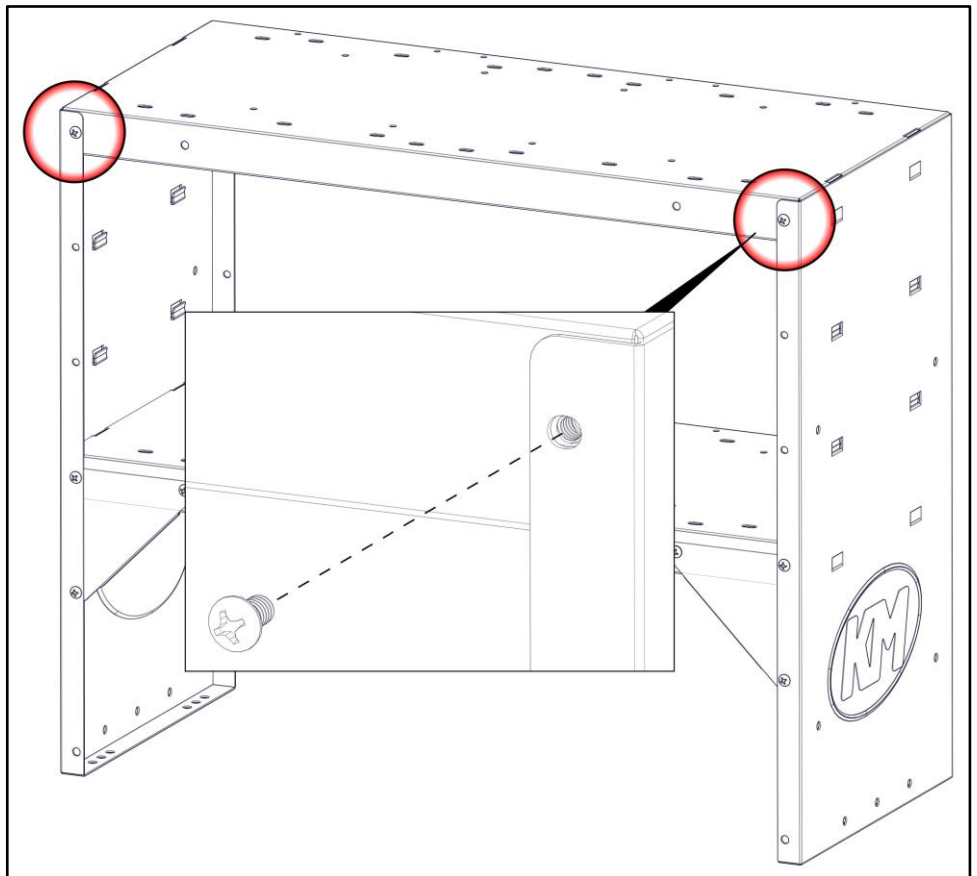
Step 1 – Assemble Shelf

- Have desired shelf unit built. Be sure the top shelf is on the highest notch and oriented with shelf lip down as shown.



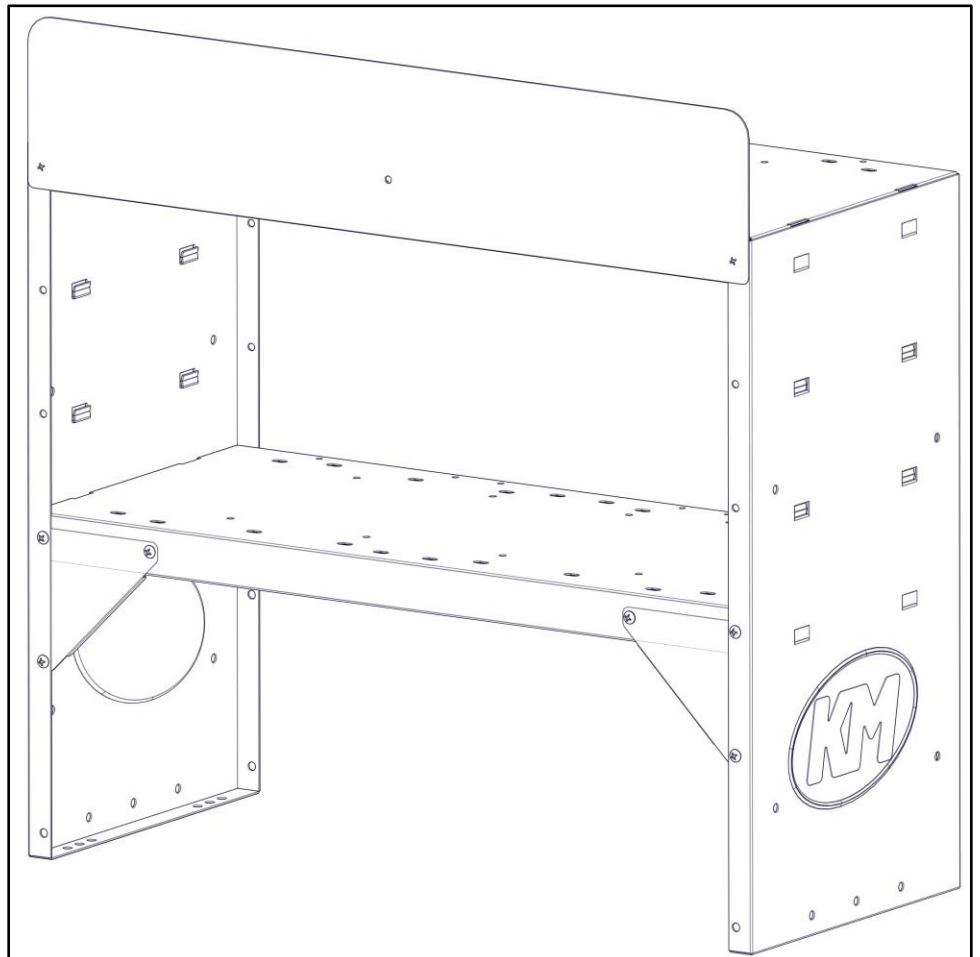
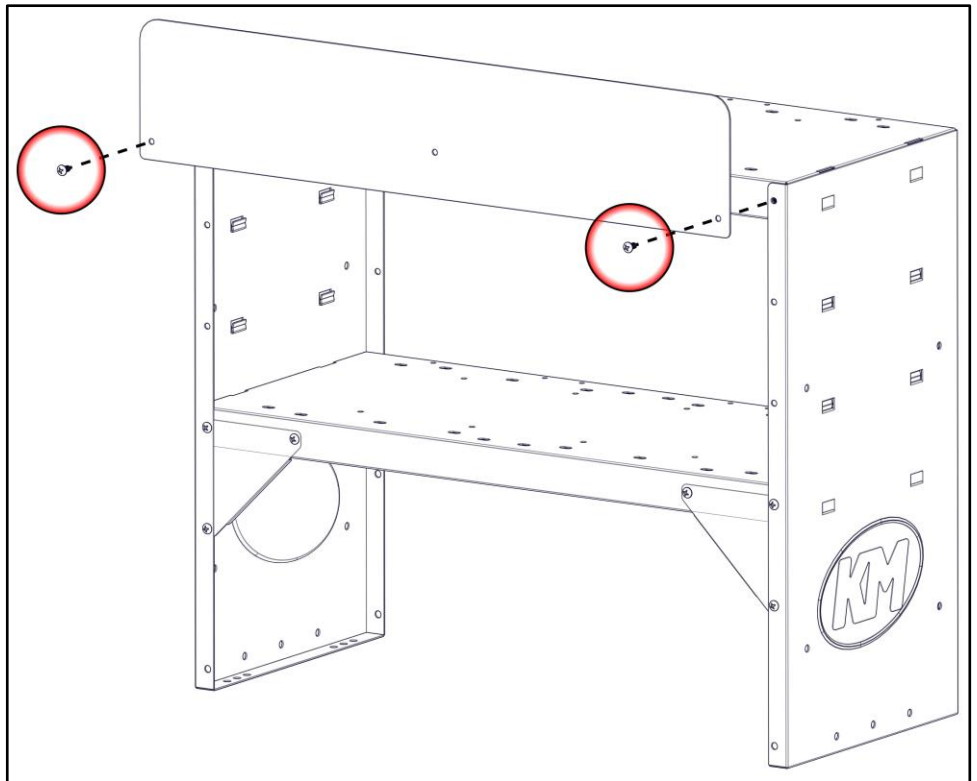
Step 2 – Prepare Shelf Unit

- Access rear of shelf unit. Rear of shelf unit has gussets installed on the bottom shelf.
- Remove upper screws attaching top shelf to side panels as shown.



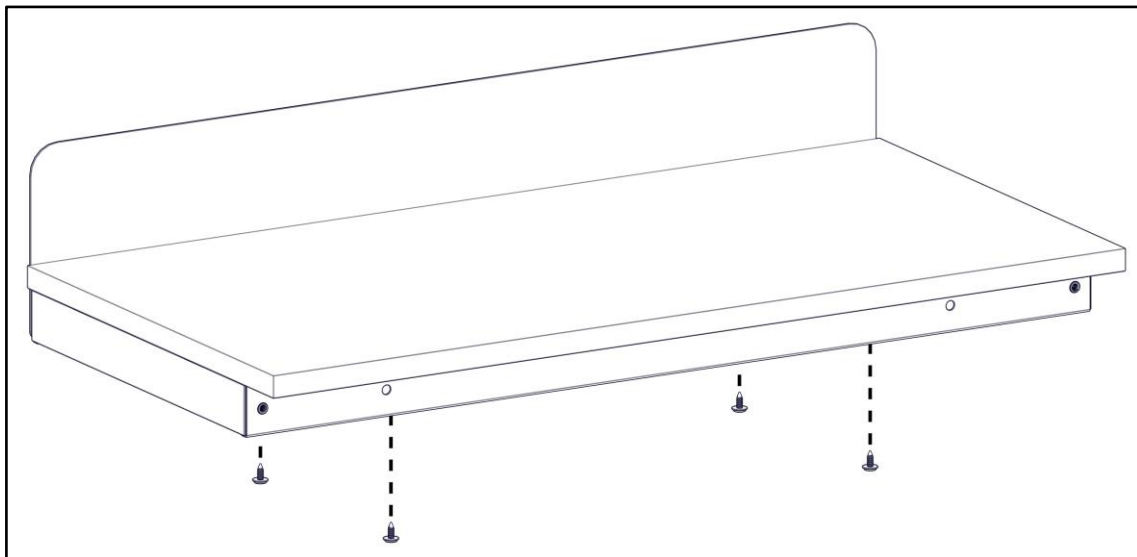
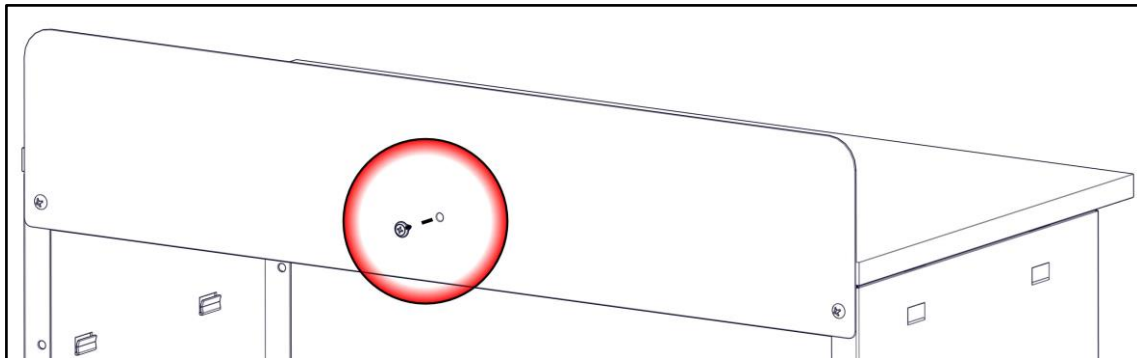
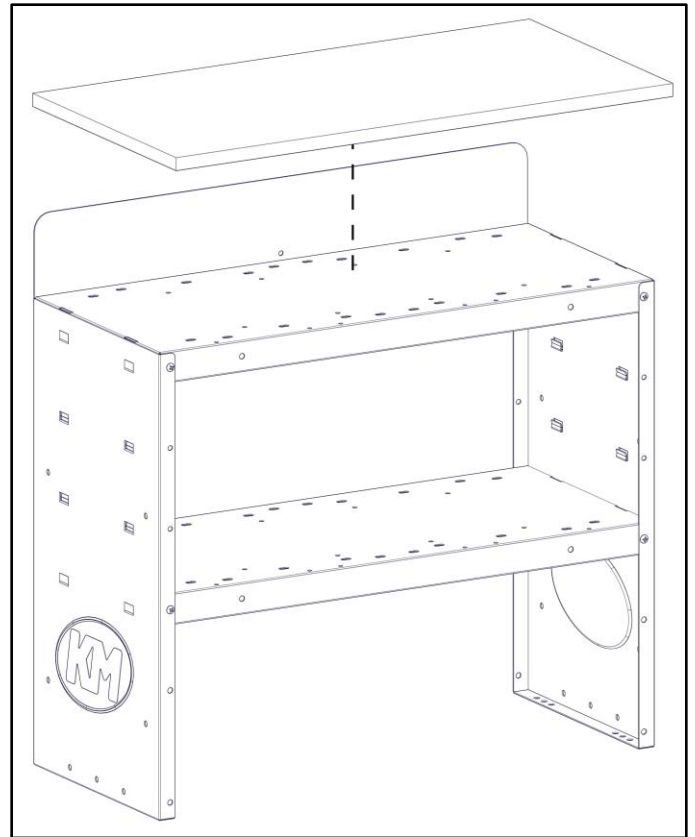
Step 3 – Install Back Splash

- Place back splash over previously removed screws.
- Re-install screws leaving the middle hole in back splash vacant.
- Snug Tighten.



Step 4 – Install Bench Top

- Place bench top on top of shelf as shown. Align bench top to desired location.
- Screw bench top to back splash using a No.10 screw.
- On bottom side of shelf, find four appropriate mounting holes. Screw through these holes into bottom side of bench top using No.10 screws.
- Tighten all screws.



****Only top shelf is shown above for simplicity****

GO BACK AND ENSURE ALL HARDWARE IS TIGHT

Installation is now complete

