

---

# **KARGO MASTER®**

**WE PUT EVERYTHING WITHIN REACH.**

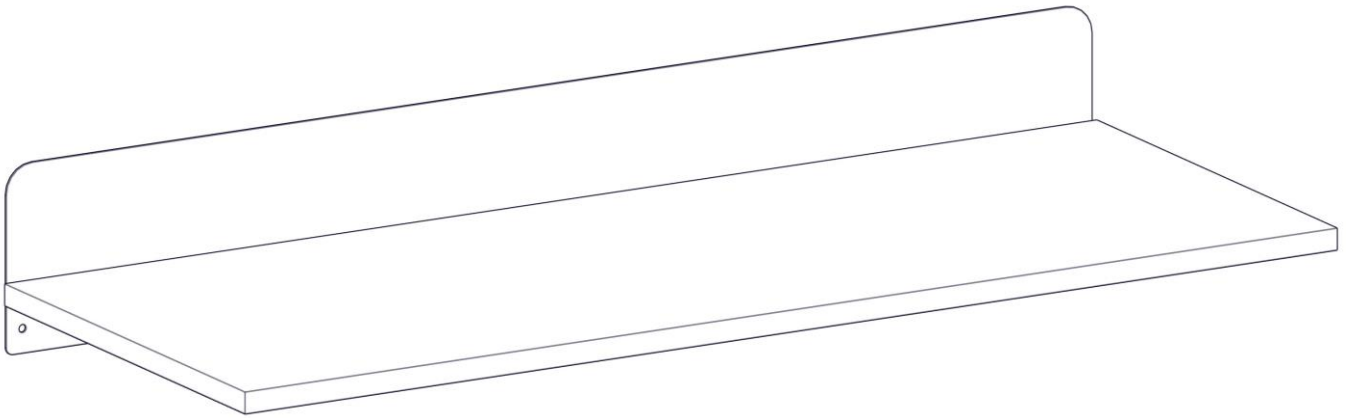
---

## Installation Instructions

---

40542

---



---

\*PLEASE READ ALL INSTRUCTIONS AND WARNINGS PRIOR TO ASSEMBLING,  
INSTALLING, AND USING THIS PRODUCT\*

---

## Warning



Always check for wires, fuel tanks and lines, brake lines and other important vehicle functionality items prior to drilling and installing all products.

---

## Tools Needed

Phillips Driver
-----------------

---

## Table of Contents

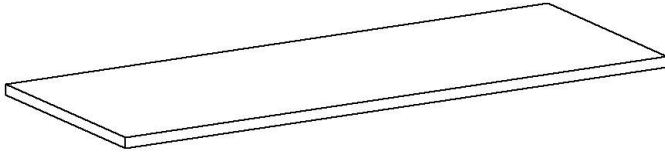
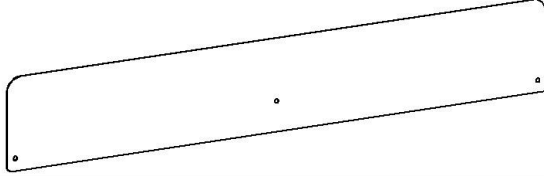
Parts List .....	2
Hardware .....	2
Step 1 – Assemble Shelf .....	3
Step 2 – Prepare Shelf Unit .....	3
Step 3 – Install Back Splash .....	4
Step 4 – Install Bench Top .....	5

---


## Before You Begin

- Read all instructions.
- Be sure to have a shelf unit to attach bench kit to.
- The images in the instructions are shown using a 32” wide shelf. The instructions are the same in this application.

Parts

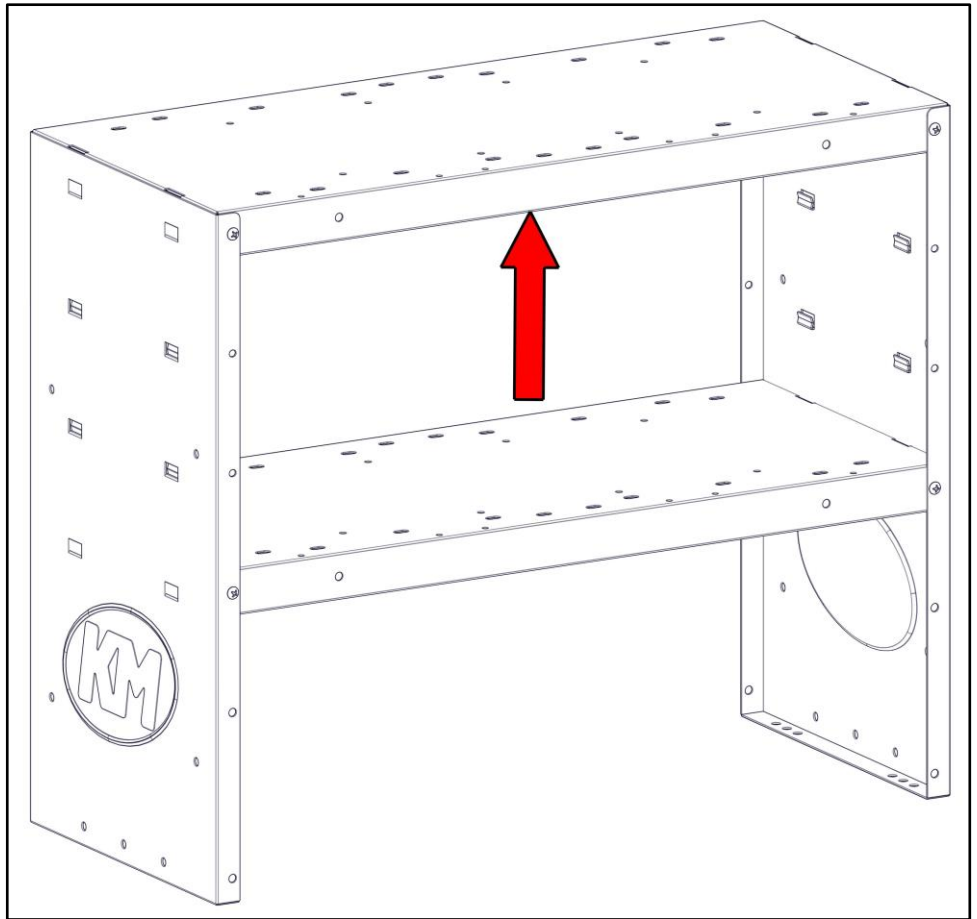
ITEM NO.		PART NUMBER	DESCRIPTION	QTY.
A		100572	BENCH TOP - 42"	1
B		48420-00-001	BACK SPLASH - 42"	1
		18-40552	HARDWARE	1

Hardware

ITEM NO.	TO SCALE	PART NUMBER	DESCRIPTION	QTY.
1		90398A244	No.10 x 5/8" Round Head Screw	5

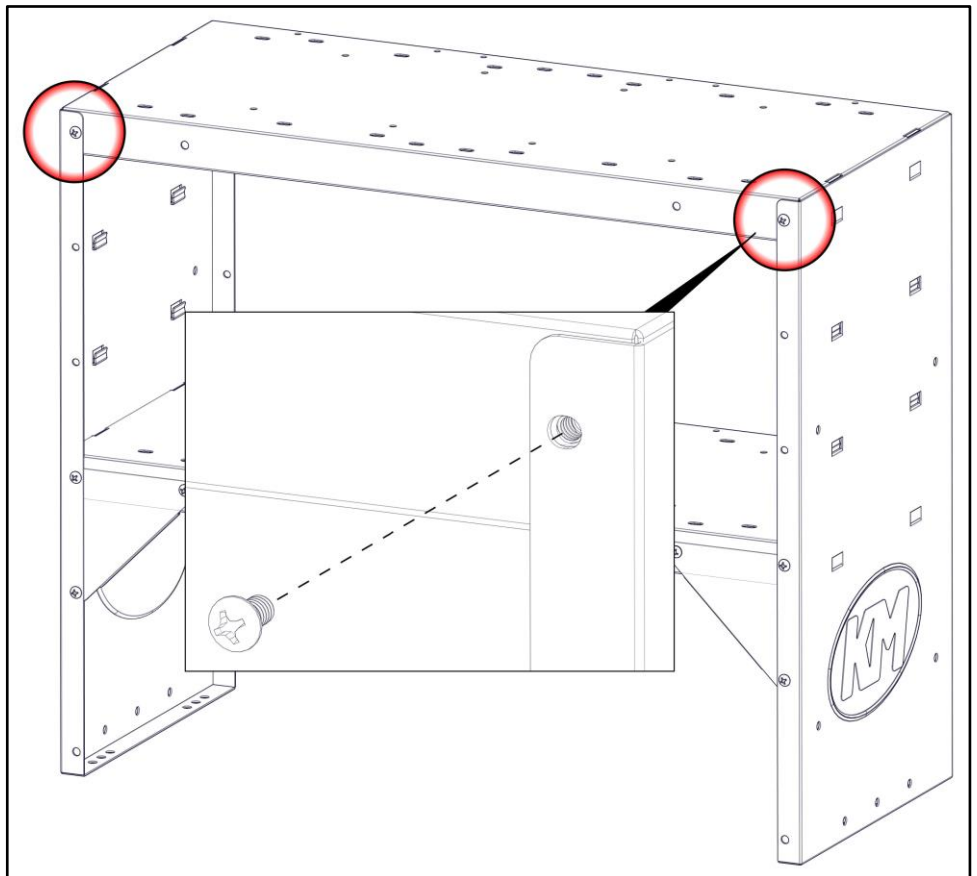
### Step 1 – Assemble Shelf

- Have desired shelf unit built. Be sure the top shelf is on the highest notch and oriented with shelf lip down as shown.



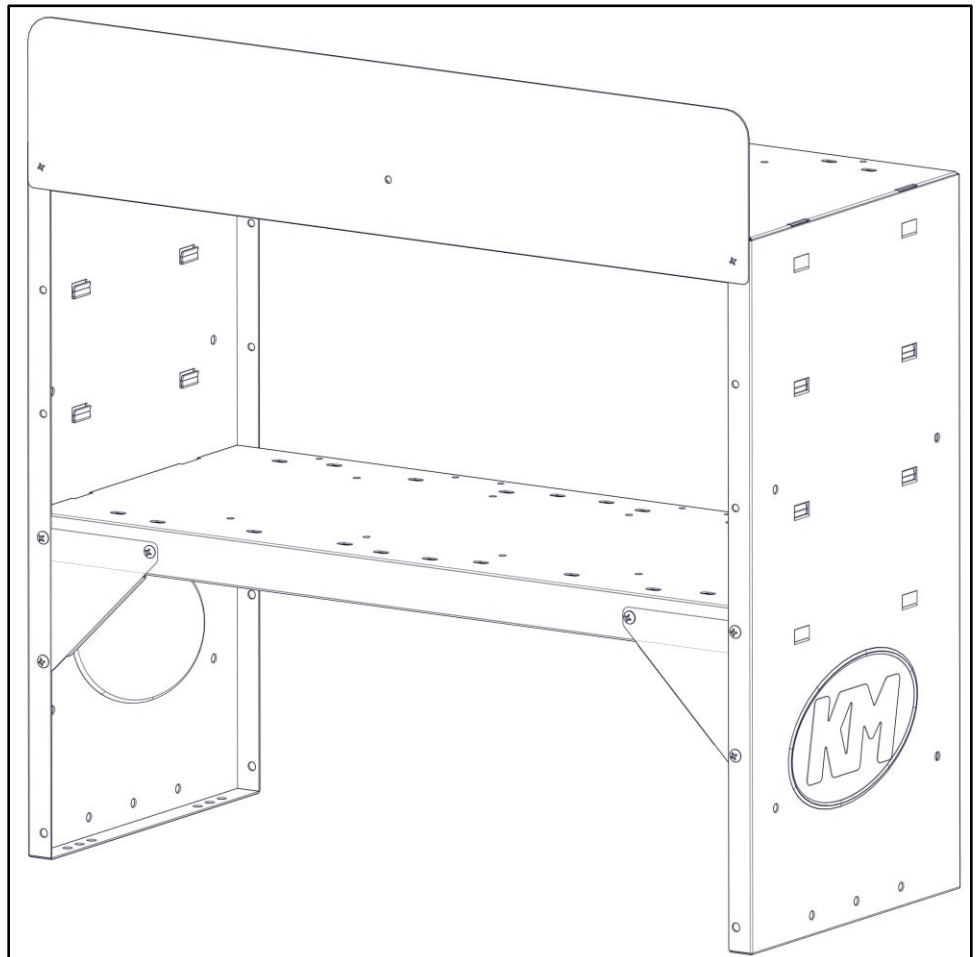
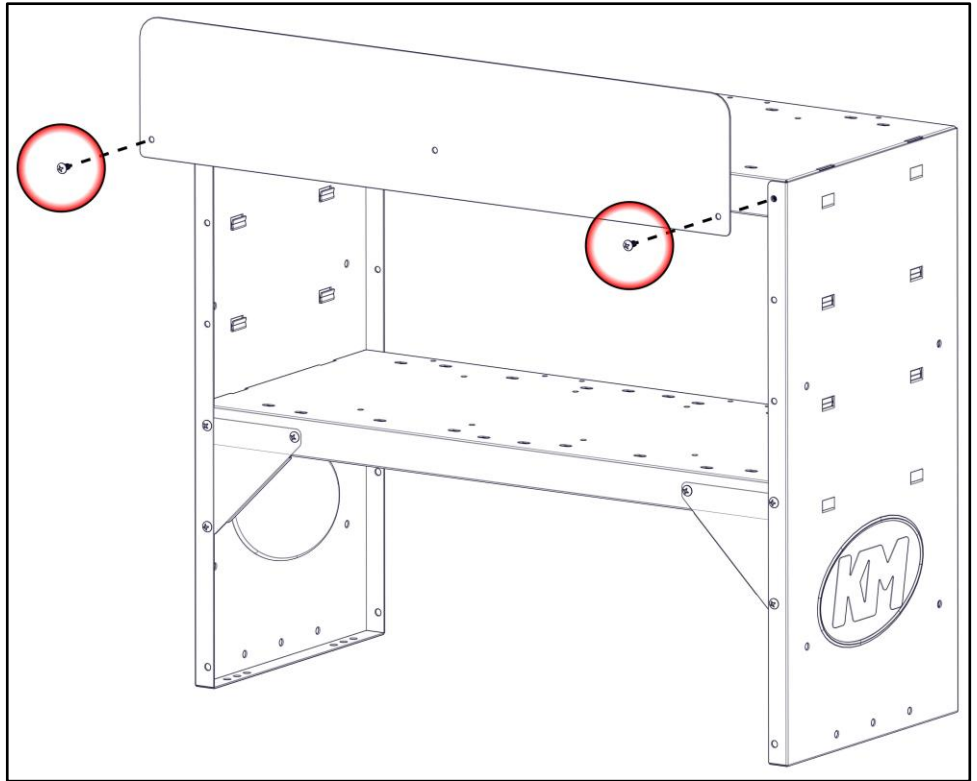
### Step 2 – Prepare Shelf Unit

- Access rear of shelf unit. Rear of shelf unit has gussets installed on the bottom shelf.
- Remove upper screws attaching top shelf to side panels as shown.



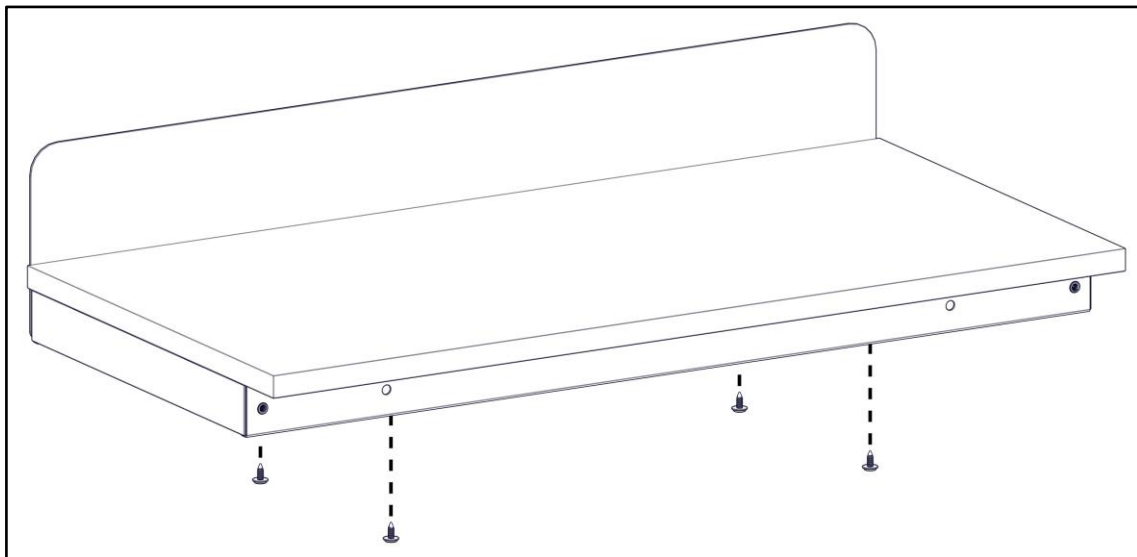
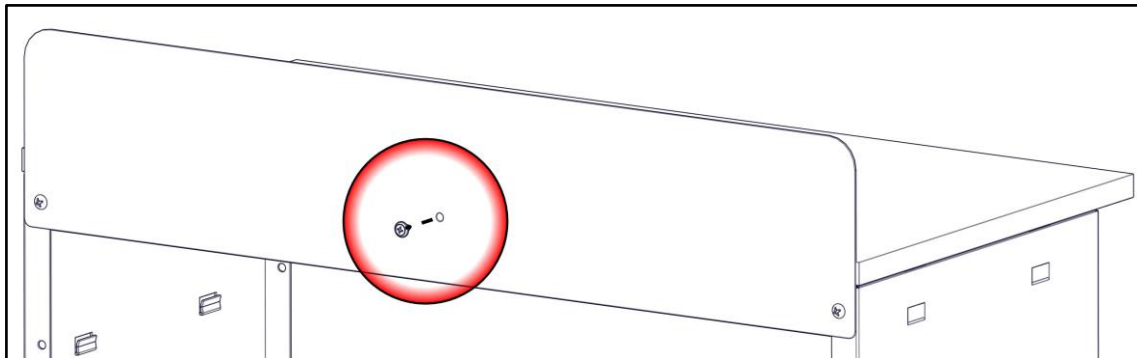
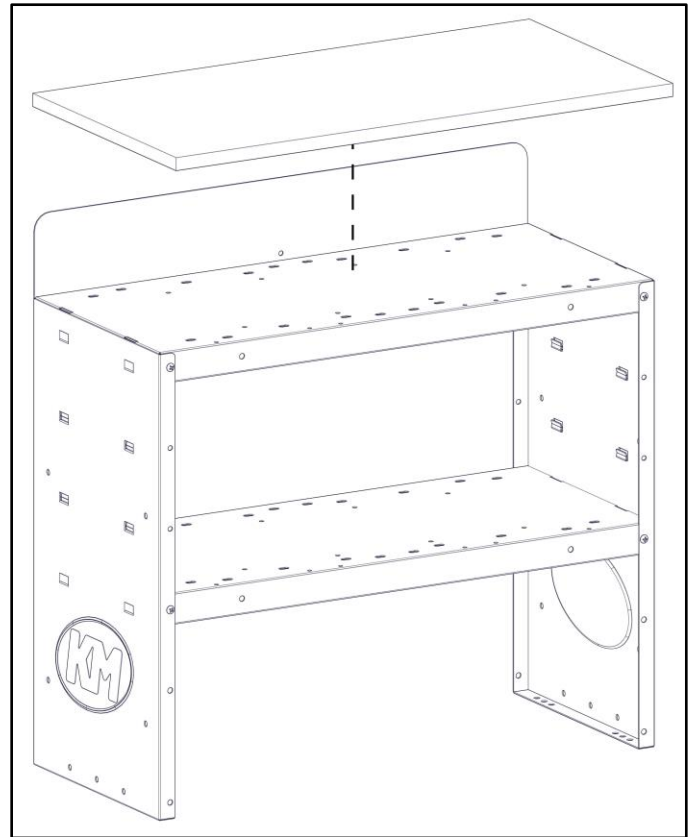
### Step 3 – Install Back Splash

- Place back splash over previously removed screws.
- Re-install screws leaving the middle hole in back splash vacant.
- Snug Tighten.



### Step 4 – Install Bench Top

- Place bench top on top of shelf as shown. Align bench top to desired location.
- Screw bench top to back splash using a No.10 screw.
- On bottom side of shelf, find four appropriate mounting holes. Screw through these holes into bottom side of bench top using No.10 screws.
- Tighten all screws.



**\*\*Only top shelf is shown above for simplicity\*\***

GO BACK AND ENSURE ALL HARDWARE IS TIGHT

Installation is now complete

