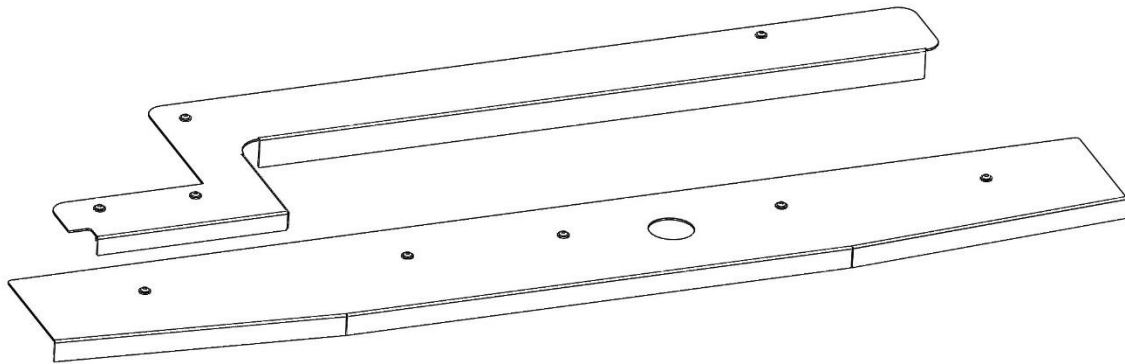

KARGO MASTER[®]

WE PUT EVERYTHING WITHIN REACH.

Installation Instructions

40463



***PLEASE READ ALL INSTRUCTIONS AND WARNINGS PRIOR TO ASSEMBLING,
INSTALLING, AND USING THIS PRODUCT***

Warning



Always check for wires, fuel tanks and lines, brake lines and other important vehicle functionality items prior to drilling and installing all products.


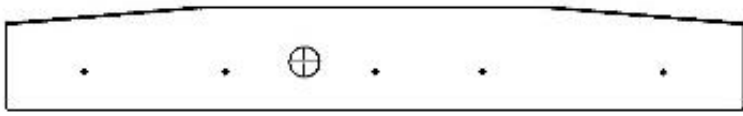
Tools Needed

| | |
|--------------------|------------------|
| 5/32" Allen Wrench | 25/64" Drill bit |
| Drill | |

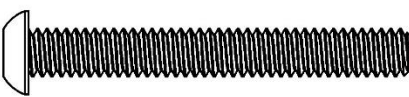
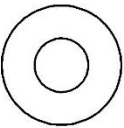
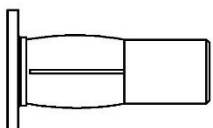
Before You Begin

- Read all instructions.
- Ensure safety when drilling into van.

Parts

| ITEM NO. | 40463 PARTS | PART NUMBER | DESCRIPTION | QTY. |
|----------|---|--------------|----------------------------|------|
| A |  | 40463-00-001 | Transit - Slider Threshold | 1 |
| B |  | 40463-00-002 | Transit - Rear Threshold | 1 |

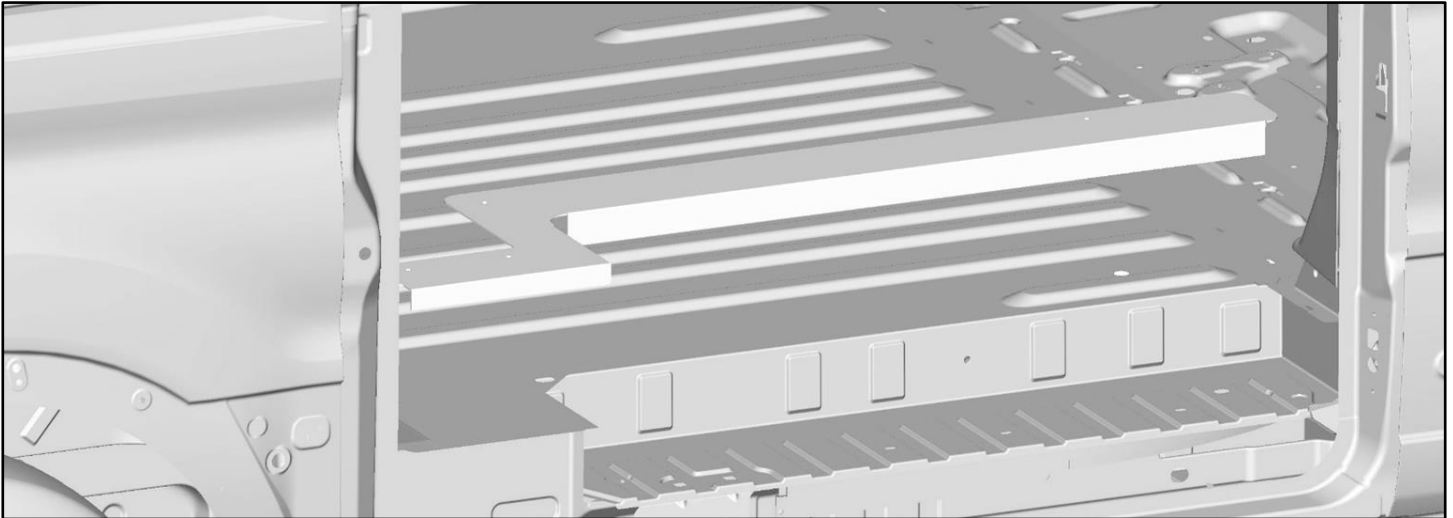
Hardware

| ITEM NO. | TO SCALE | DESCRIPTION | PART NUMBER | QTY. |
|----------|---|----------------------------------|-------------|------|
| 1 |  | .25-20 x 2.0 BHCS Fully Threaded | 91306A282 | 9 |
| 2 |  | .25 flat washer | 90126A029 | 9 |
| 3 |  | 1/4"-20 Plus Nut | 97217A393 | 9 |

Side Door Mount

Step 1

- Place Slider Threshold (A) into slider doorway of van.
- Be sure to have the flanges in the down position.
- While applying firm pressure against threshold, mark the four holes onto the floor or the floor mat.

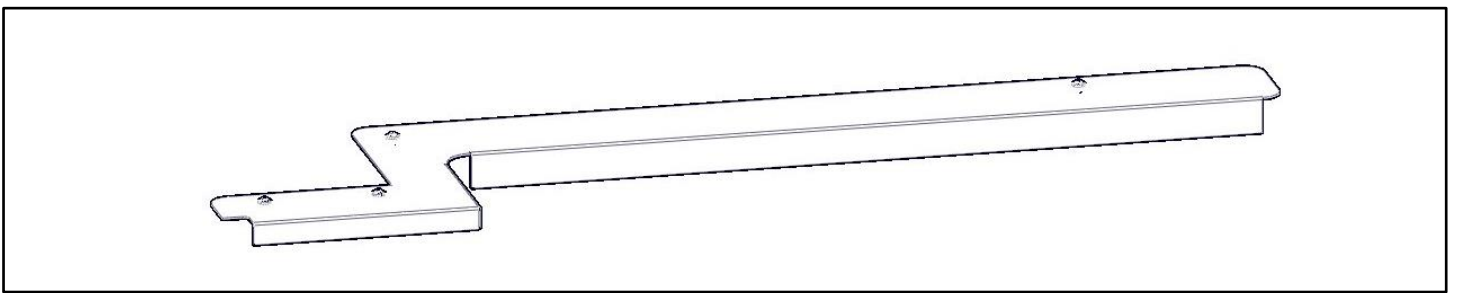
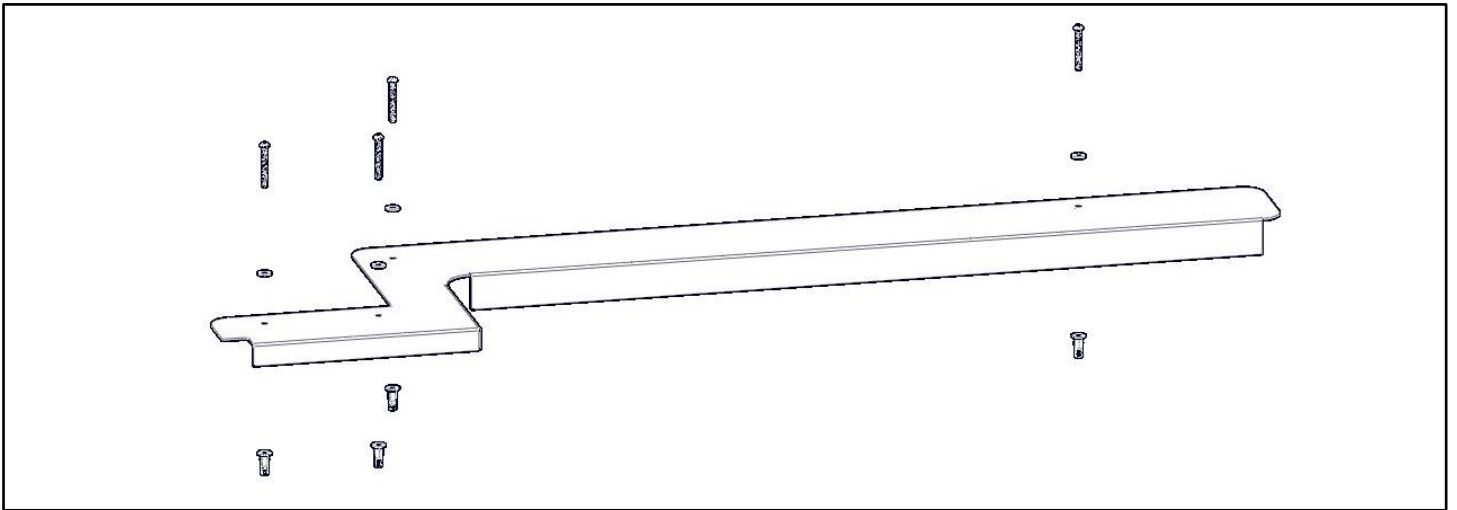


Step 2

- Remove threshold. Drill where previously marked.
MAKE CERTAIN IT IS SAFE TO DRILL.
- Drill with a 25/64" bit, and install plus nuts.

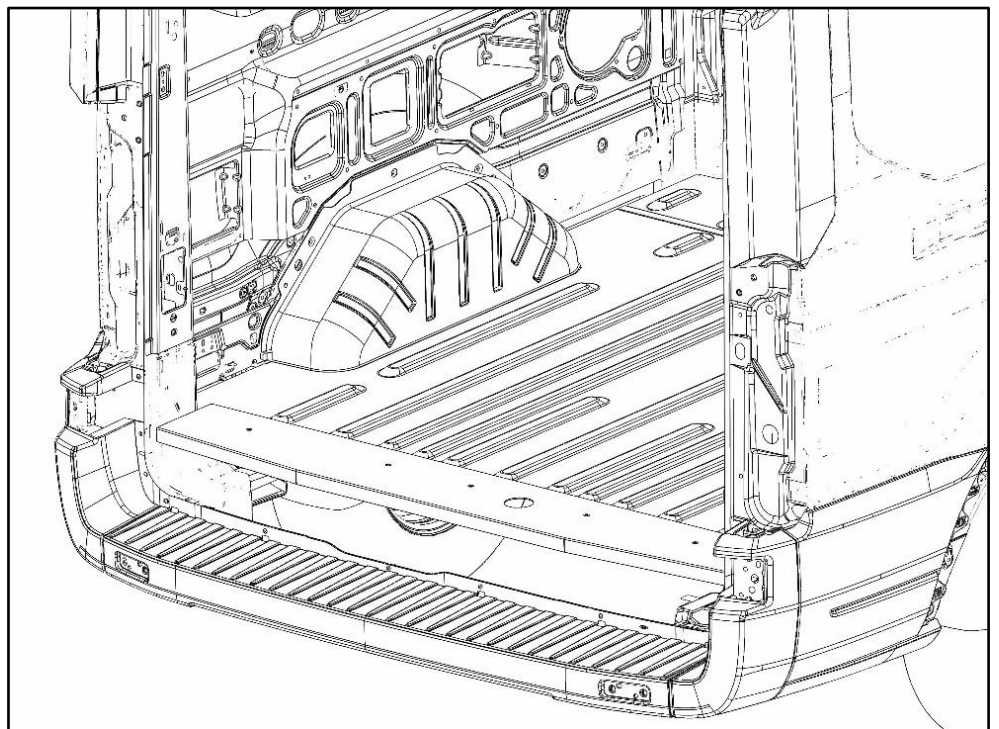
Step 3

- Place threshold back into van on top of previously installed plus nuts.
- Bolt through threshold, with .25" x 2" button head cap screw (1) and a .25" flat washer (2).
- Get all four bolts in. Then tighten.



Step 4

- Place rear threshold into rear of van.
- Be sure to have the flanges in the down position.
- While applying firm pressure against threshold, mark the four holes onto the floor or the floor mat.



Step 5

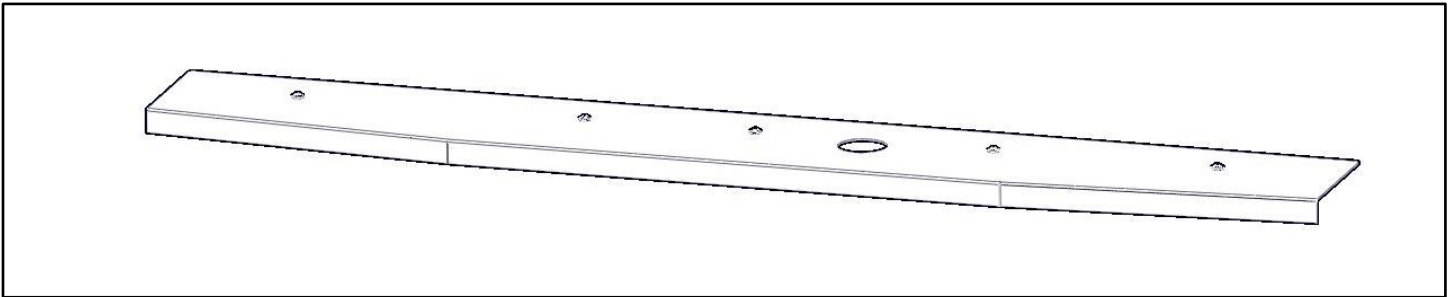
- Remove threshold. Drill where previously marked.

MAKE CERTAIN IT IS SAFE TO DRILL.

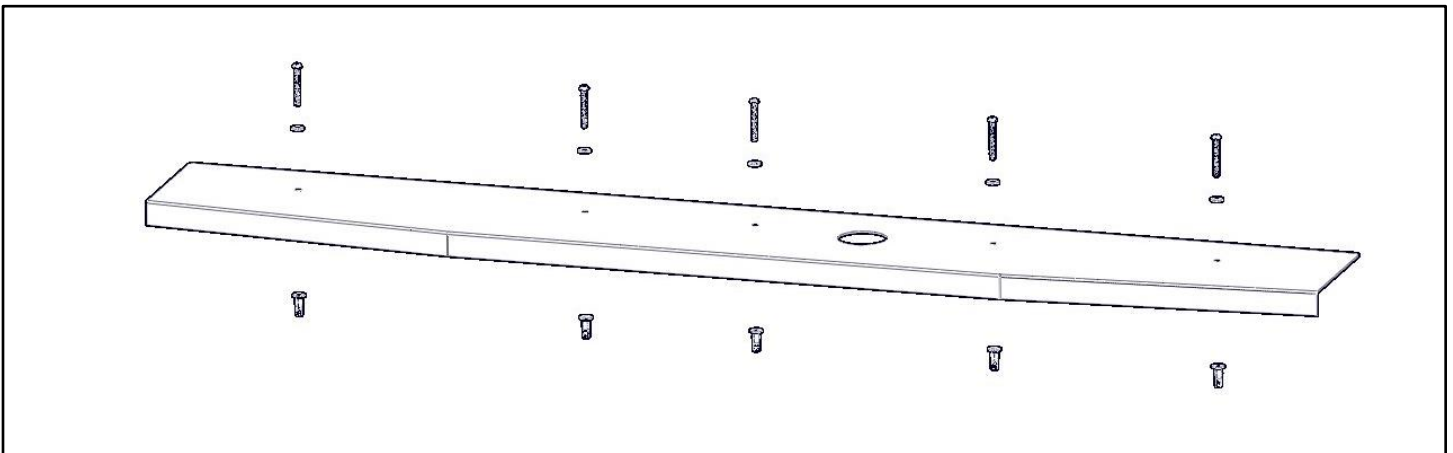
- Drill with a 25/64" bit, and install plus nuts.

Step 6

- Place threshold back into van on top of previously installed plus nuts.
- Bolt through threshold, into plusnut, with .25" x 2" button head cap screw (1) and a .25" flat washer (2).



- Get all five bolts in. Then tighten.



GO BACK AND ENSURE ALL HARDWARE IS TIGHT
Your installation is now complete.