

---

# **KARGO MASTER®**

**WE PUT EVERYTHING WITHIN REACH.**

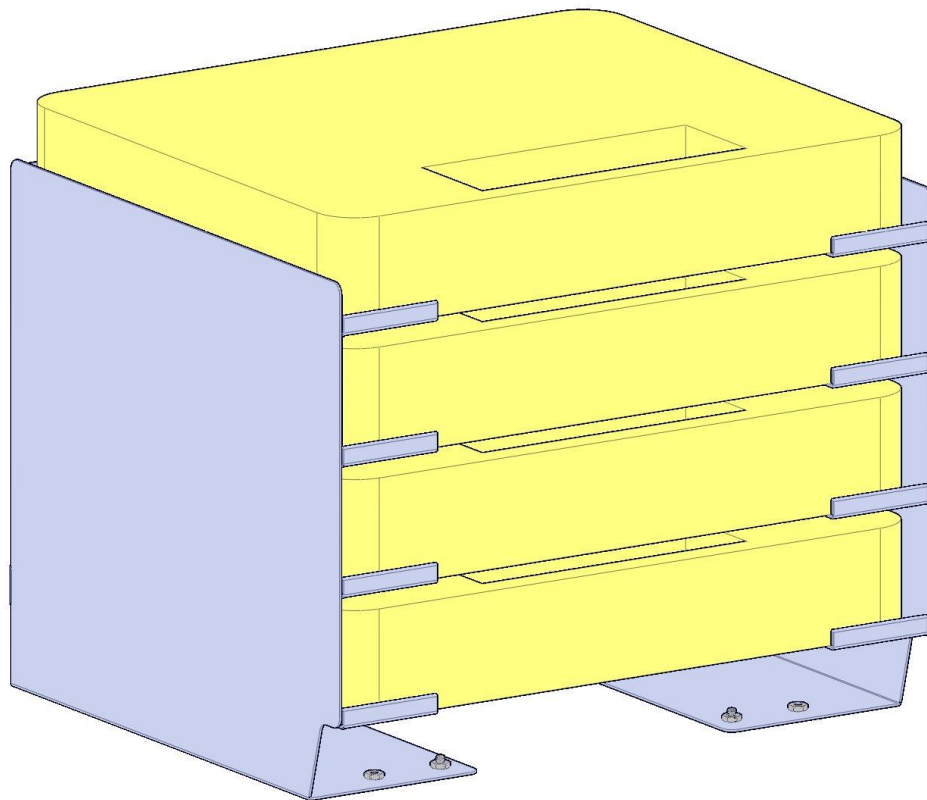
---

## Installation Guide

---

40380

---



---

Kargo Master

---

---

**\*PLEASE READ ALL INSTRUCTIONS AND WARNINGS PRIOR TO ASSEMBLING,  
INSTALLING, AND USING THIS PRODUCT\***

---

**Warning**



Always check for wires, fuel tanks and lines, brake lines and other important vehicle functionality items prior to drilling and installing all products.

---

**Tools Needed**

Phillips driver	1/4" Drill bit
Drill	

---

**Table of Contents**

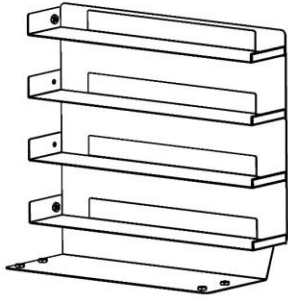
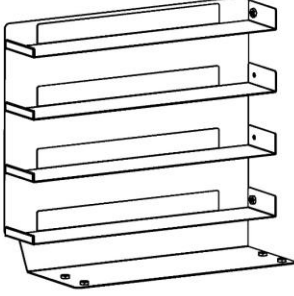

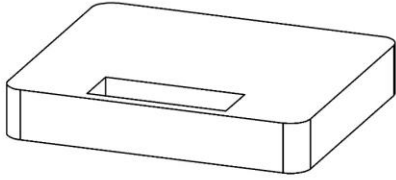
Parts List ..... 2  
Hardware List ..... 3  
Step 1 - Assembly..... 3  
Step 2 - Installation ..... 4

---

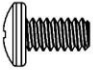
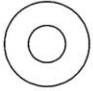
**Before You Begin**

- Read all instructions.
  - Ensure safety when drilling.
-

## PARTS

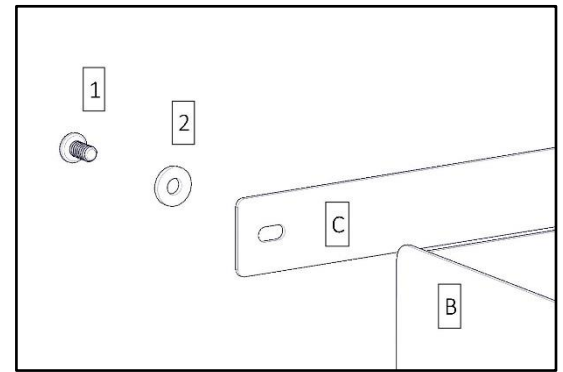
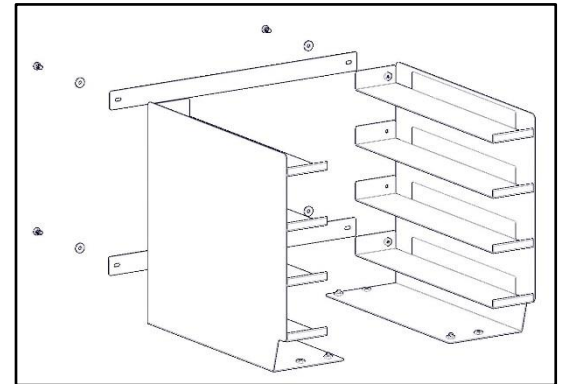
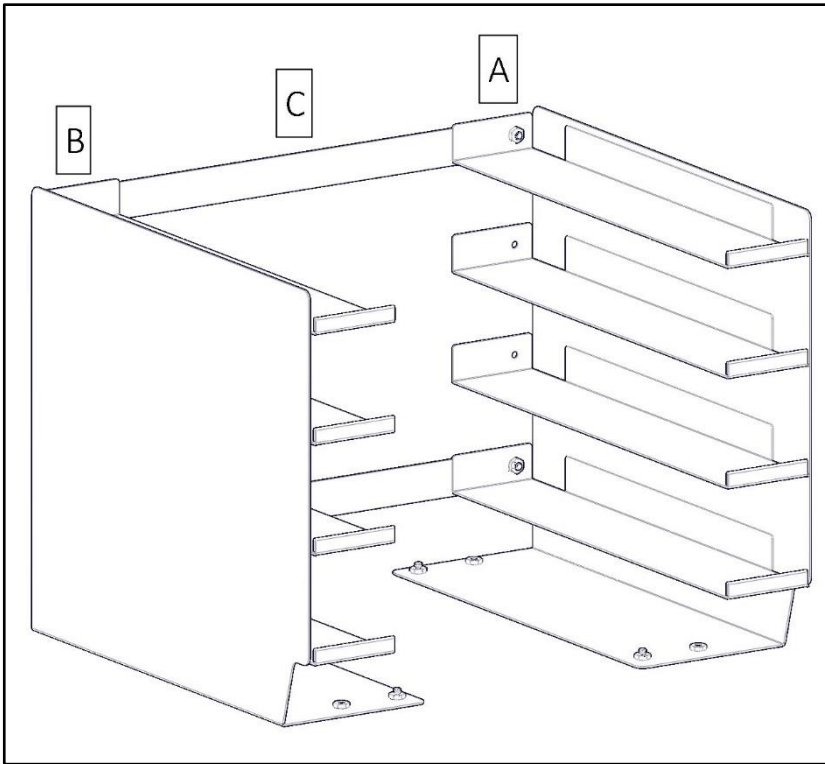
ITEM NO.		DESCRIPTION	QTY.
A		One Side Assembly	1
B		Mirror Side Assembly	1
C		Strap	2
D		40350	4

## HARDWARE (TO SCALE)

ITEM NO.		DESCRIPTION	QTY.
1		#10 x .375 Button Head	8
2		#10 Flat Washer	8

## Step 1 - Assembly

- Bolt all three pieces together as shown below. Repeat 2x.
- Use #10 x .50" button head screw (1) and #10 flat washer (2) to bolt into #10 Nuts.



## Step 2 - Installation

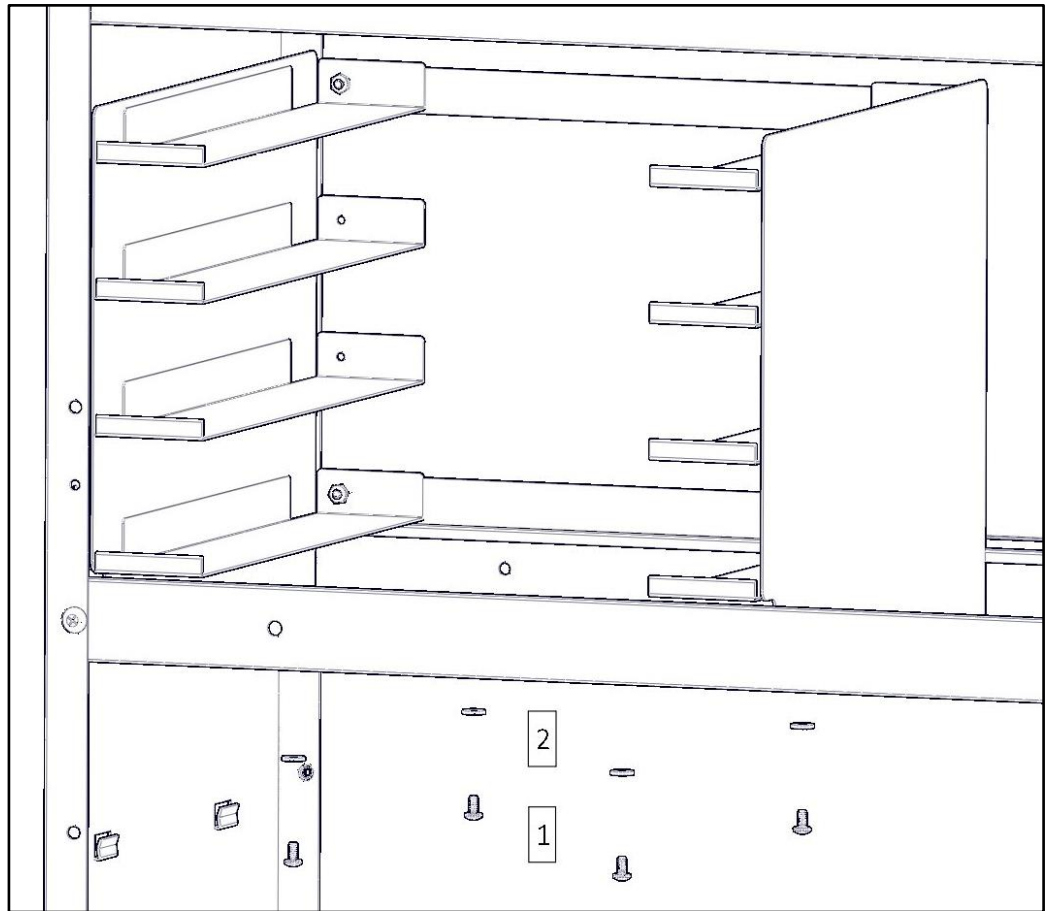
- Place previously assembled bin holder onto desired location.
- When placing into shelf, the shelf MUST have the flanges facing in the upward position. The bin holder will sit down inside of the shelf.
- One can mount this part to multiple different places. These instructions show them being mounted to KargoMaster 46" shelf unit.

Front of Shelf

Rear of Shelf

Shelf Lip Facing Upwards

- Bolt through holes in shelf #10 x .50" button head screw (1) and a #10 flat washer (2).
- One may have to drill holes if holes in the bin holder do not align with holes in the shelf panel as desired.
- Repeat on all four locations.



### Step 3 –

- GO BACK AND ENSURE ALL HARDWARE IS TIGHT
- Your installation is now complete.

