

---

# **KARGO MASTER<sup>®</sup>**

**WE PUT EVERYTHING WITHIN REACH.**

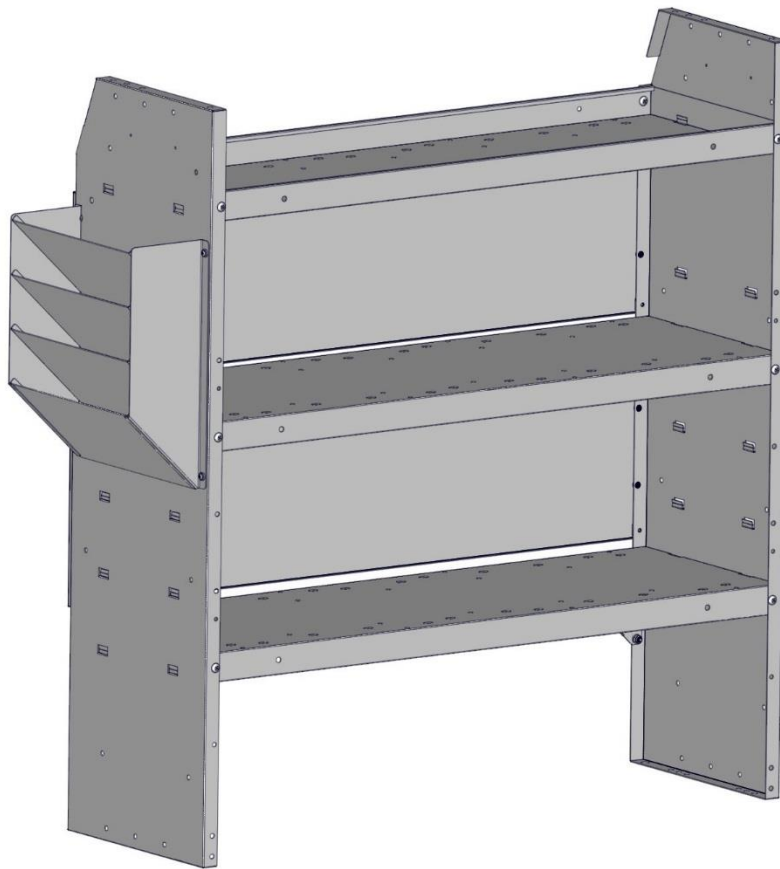
---

## Installation Instructions

---

40270

---



---

**\*PLEASE READ ALL INSTRUCTIONS AND WARNINGS PRIOR TO ASSEMBLING,  
INSTALLING, AND USING THIS PRODUCT\***

---

## Warning



Always check for wires, fuel tanks and lines, brake lines and other important vehicle functionality items prior to drilling and installing all products.

---

## Tools Needed

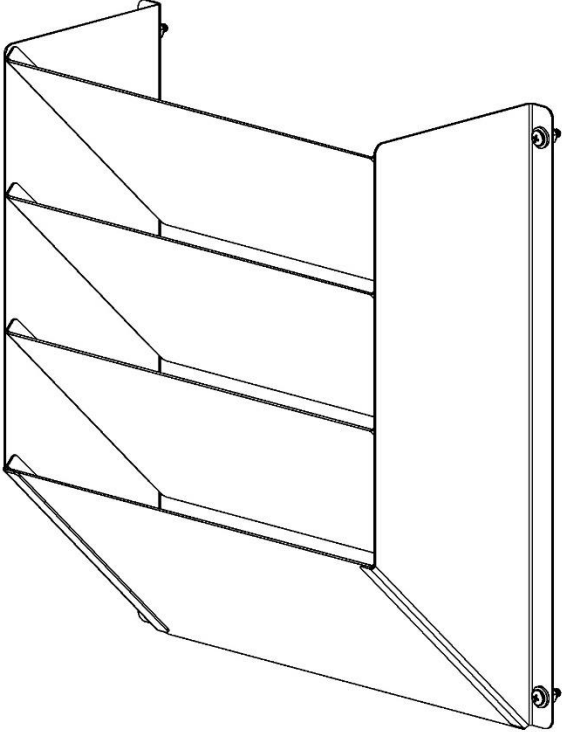
Phillips Driver	3/8" Wrench and Socket
1/4" Drill Bit	

---

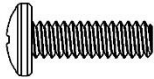
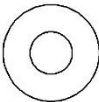

## **Before You Begin**

- Read all instructions.
- Have partition or shelf unit ready to install file holder.
- ENSURE SAFETY BEFORE DRILLING OR CUTTING

Parts

ITEM NO.		PART NUMBER	DESCRIPTION	QTY.
A		40270-10	Hanging File Holder Assembly	1

Hardware

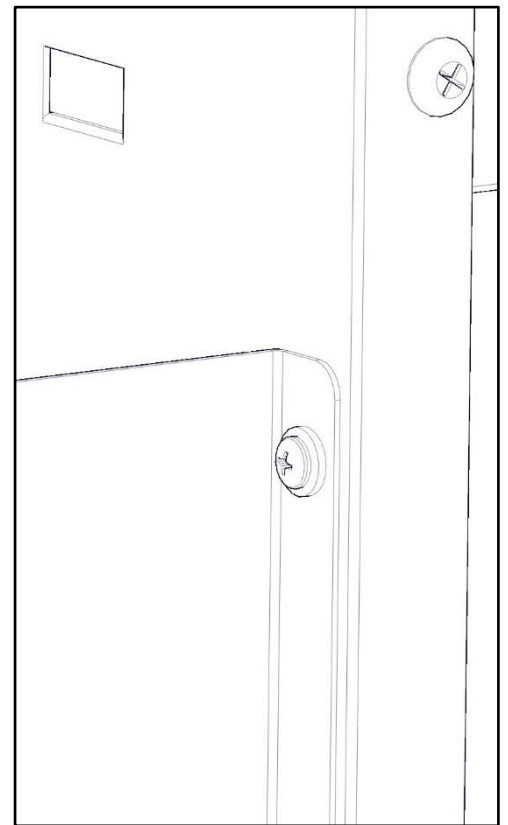
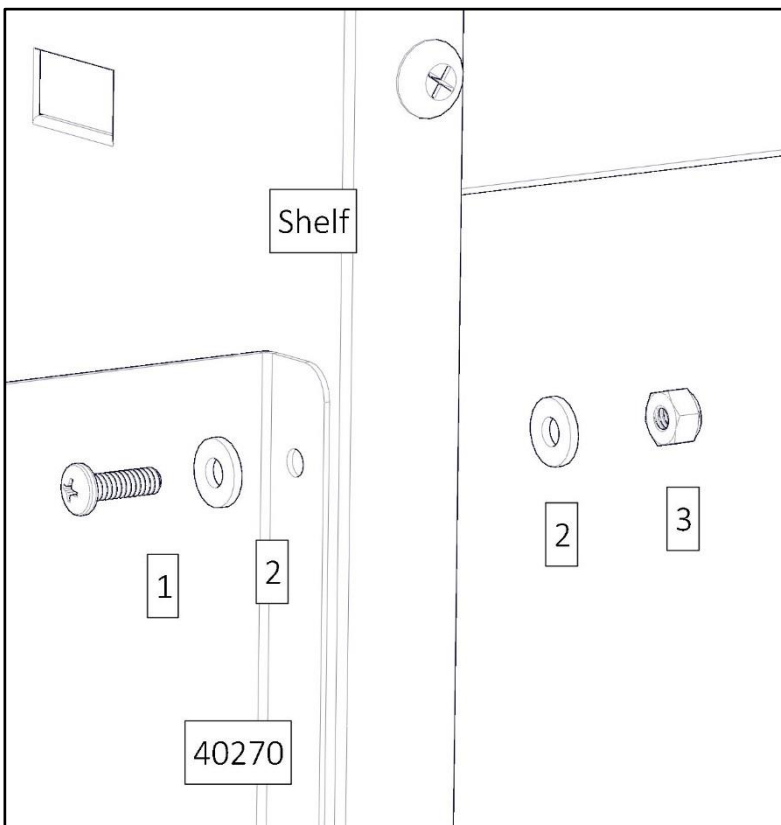
ITEM NO.	TO SCALE	PART NUMBER	DESCRIPTION	QTY.
1		90272A244	10-24 x .625 PH Phillips Drive	4
2		90126A514	10 Flat Washer	8
3		90631A011	10-24 Nyloc Nut	4

## Step 1 – Find Location, Drill Holes

- Position hanging file rack (A) in desired location for mounting.
- Press firmly against shelf or partition unit.
- Mark hole in each corner for a total of 4x.
- Remove hanging file rack (A).
- Measure from the reference point to ensure the holes are marked in a square orientation.
- Drill using a 1/4" bit.

## Step 2 – Install File Holder

- Place file holder over previously drilled holes.
- Bolt using a #10-24 x .625 pan head (1), two #10 washers (2) and a #10-24 nyloc (3)
- TIGHTEN



Square and align partition to your liking.  
Tighten all bolts from previous steps.  
Your installation is now complete.

