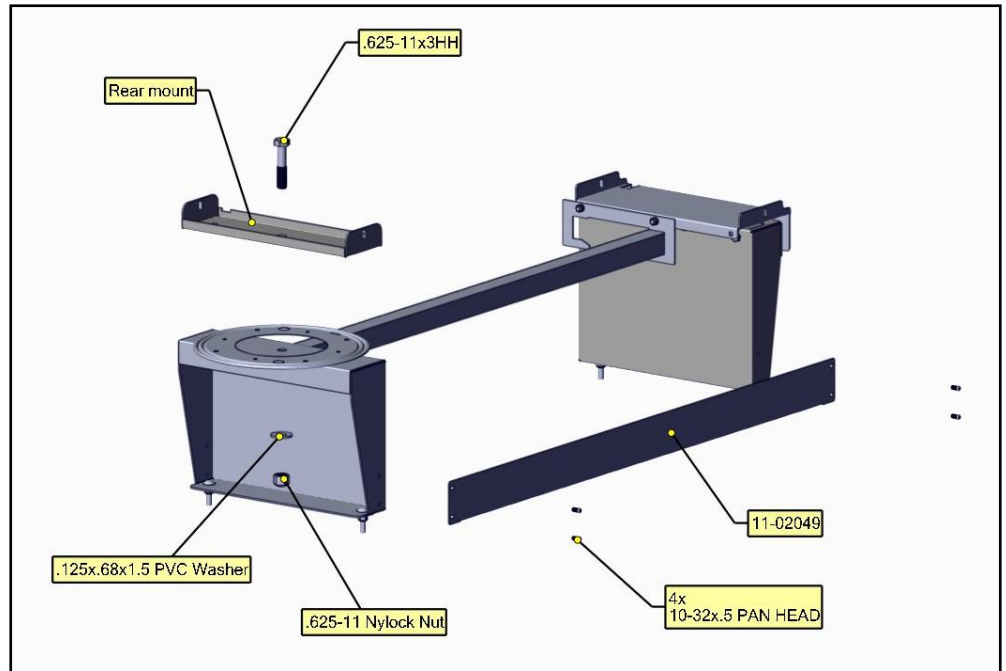


## 40260 Installation Instructions Transit Low Roof (MWB,LWB)

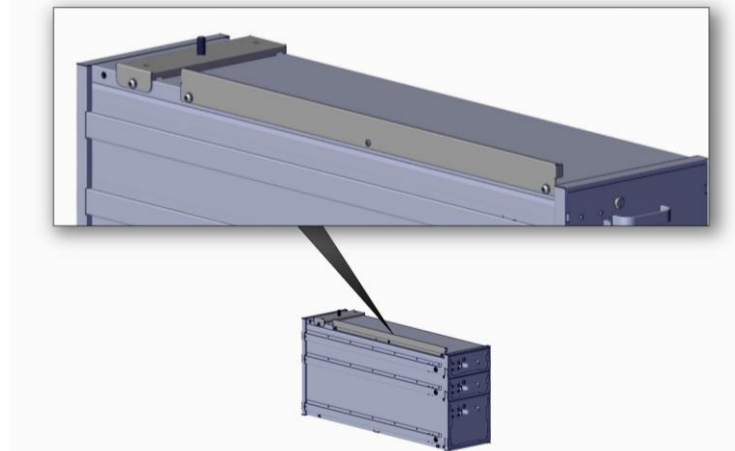
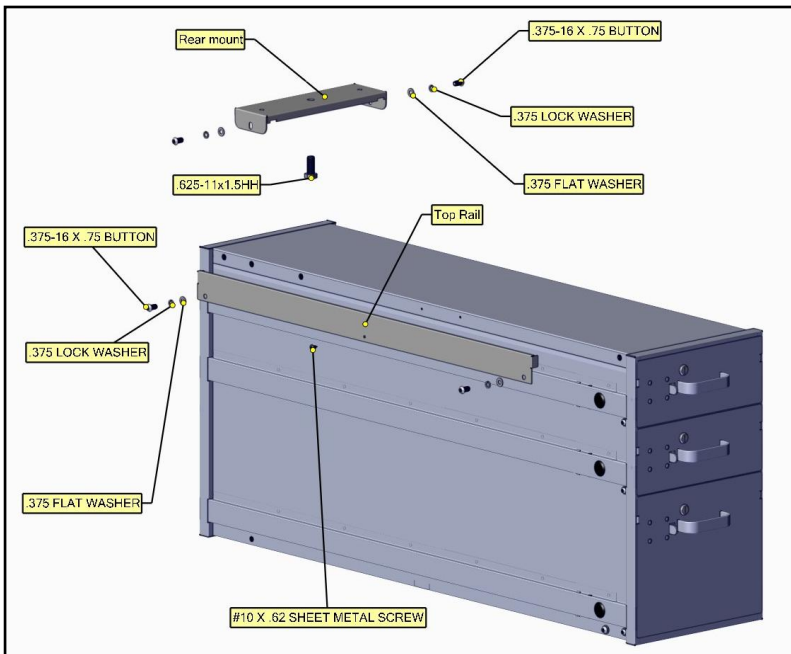
### Step 1

- Assemble 40260
- Bolt rear mount to rotating disc in the rear of the pre assembled pivot pro.
- Bolt 11-02049 to side of pre assembled pivot pro.

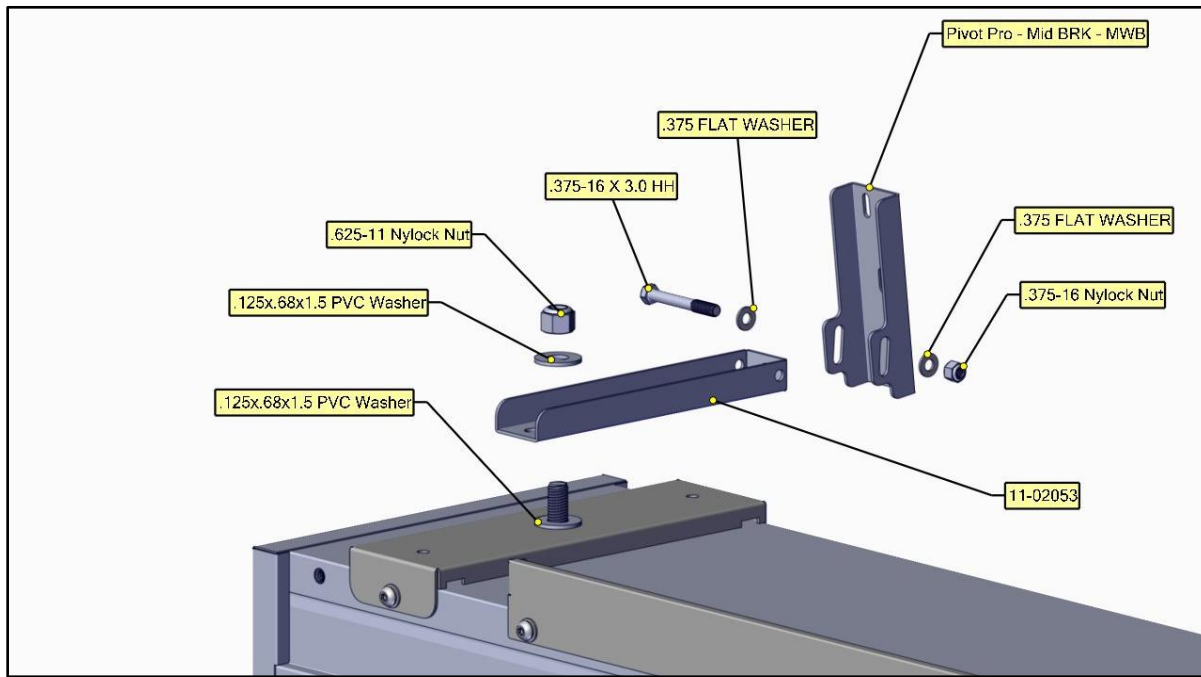


### Step 2

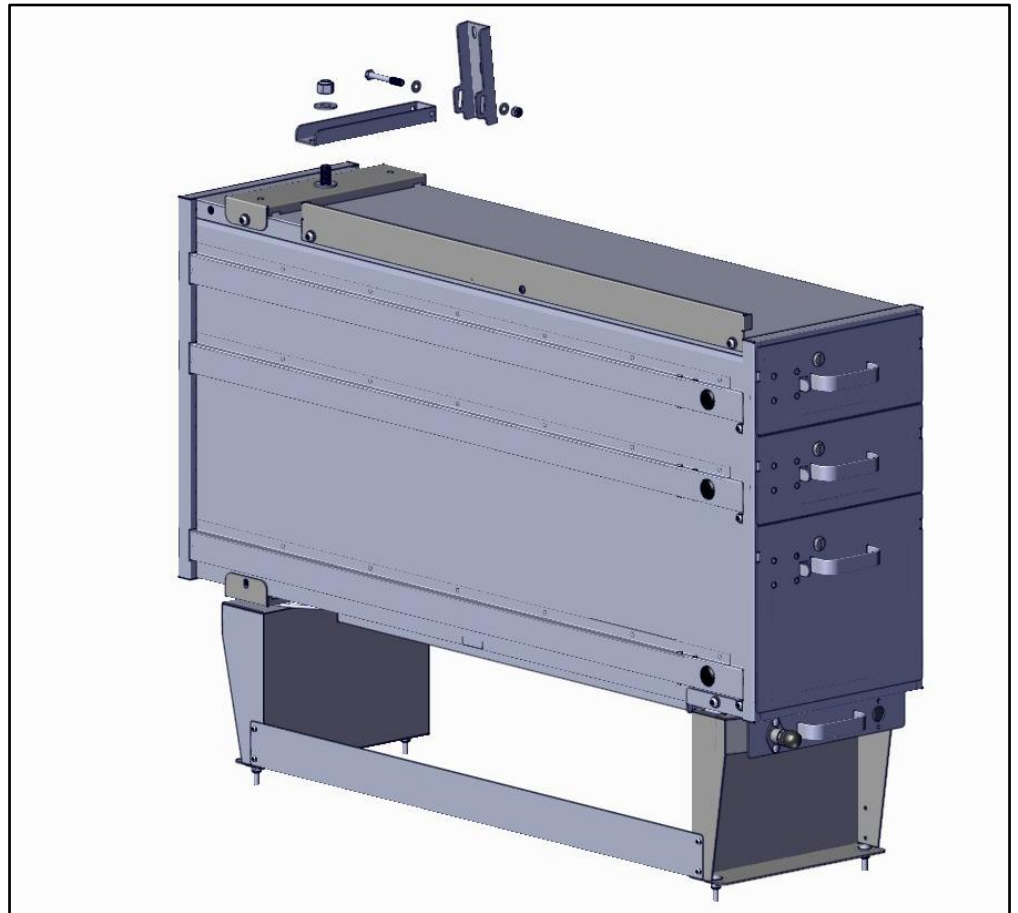
- Bolt top rail and rear mount to pre assembled 40250.
- Be sure to place .625-11 x 1.5HH under rear mount.



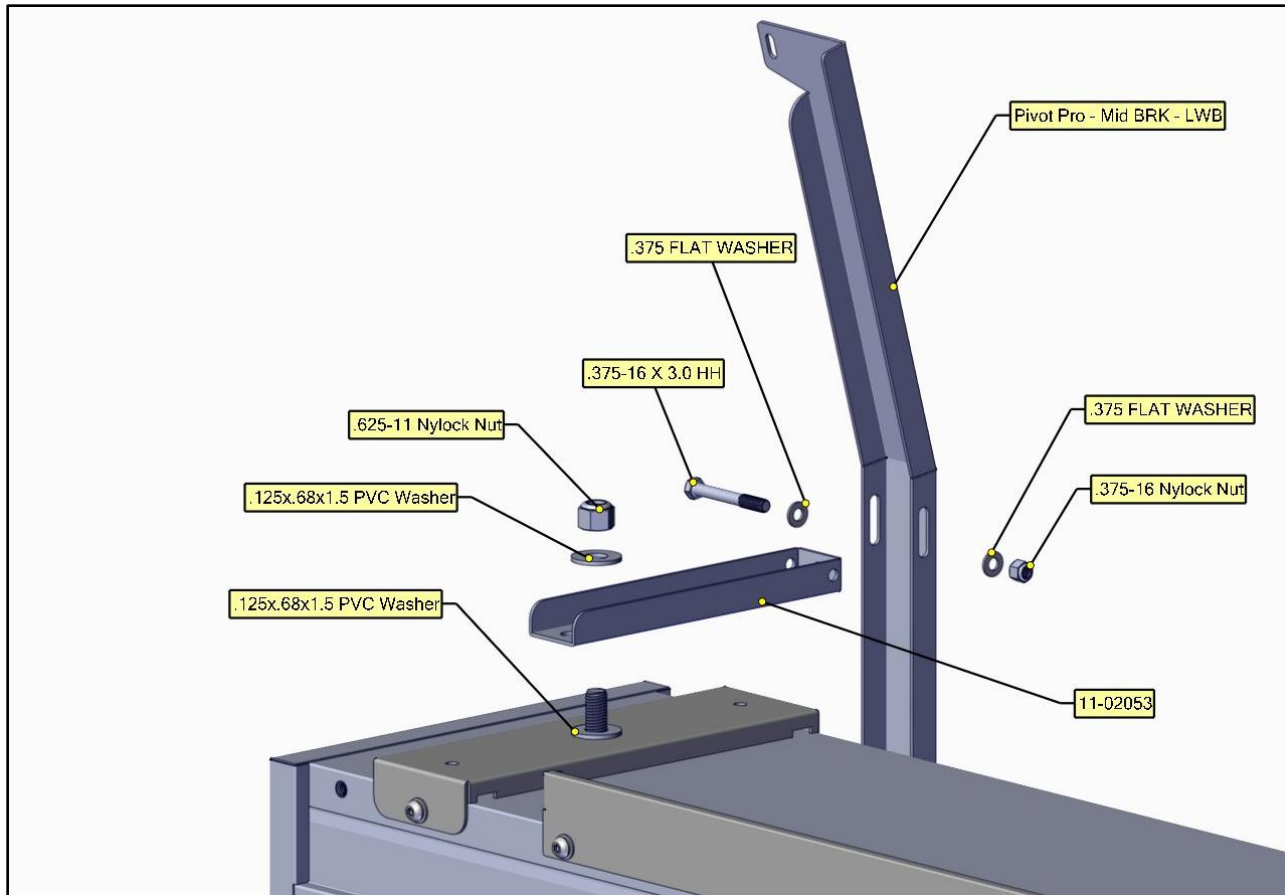
## Installation in Low Roof, Mid Wheel Base Ford Transit



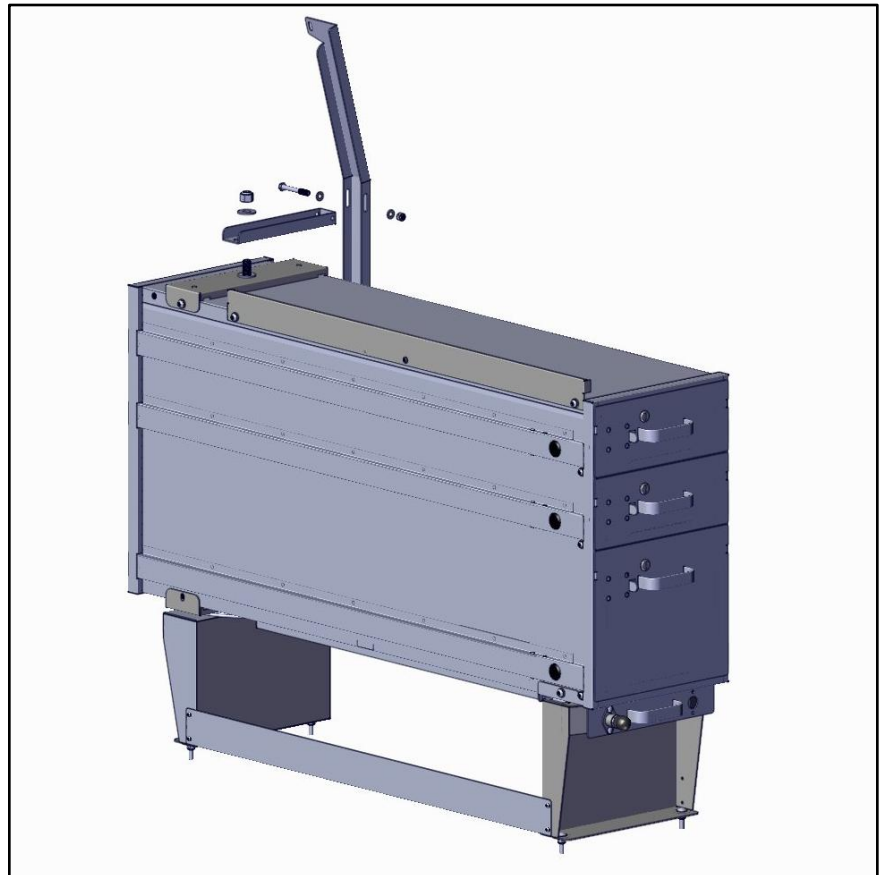
- Mount Mid BRK - MWB to 11-02053. Mount that to the rear of 3 drawer unit.
- Mount through the middle slot on 11-02053.
- Do not tighten .625 Nylock Nut.
- Position of 11-02053 may need to be adjusted in order for easy assembly.
- Be sure to have plastic washer in between rear mount and 11-02053.



## Installation in Low Roof, Long wheel base Ford Transit



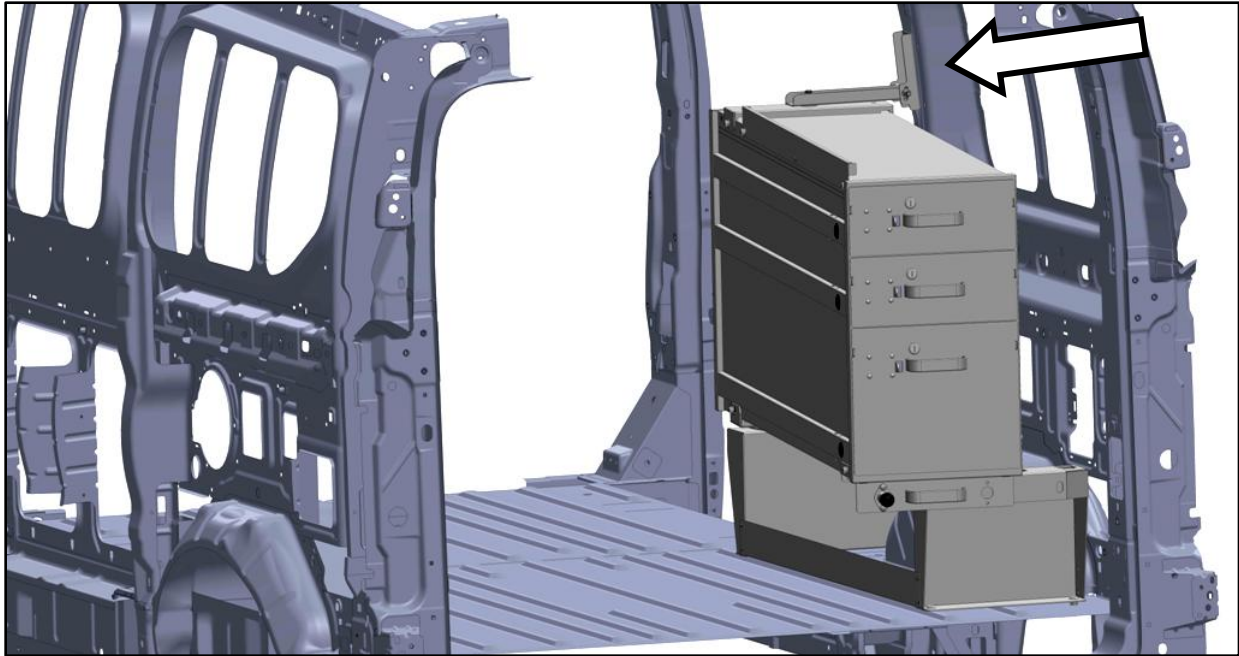
- Mount Mid BRK - LWB to 11-02053. Mount that to the rear of 3 drawer unit.
- Mount through the middle slot on 11-02053.
- Do not tighten .625 Nylock Nut.
- Position of 11-02053 may need to be adjusted in order for easy assembly.
- Be sure to have plastic washer in between rear mount and 11-02053.



## Installation to access from rear of van

- Place Pivot pro assembly into passenger side of van over the wheel well.
- Place 3 Drawer unit onto pivot pro inside of van.
- Pivot 3 Drawer unit away from wall to clear rear opening. Be sure to open 3 drawer unit to ensure clearance.
- Align mid support bracket on "C" pillar (MWB), or on threaded embossed holes (LWB)
  - \*When mounting in MWB, Mark through the bracket on the "C" pillar. Drill and Insert plus nuts into marked holes on "C" pillar.\*

**\*\*Adjustment of 11-02053 may be needed\*\***

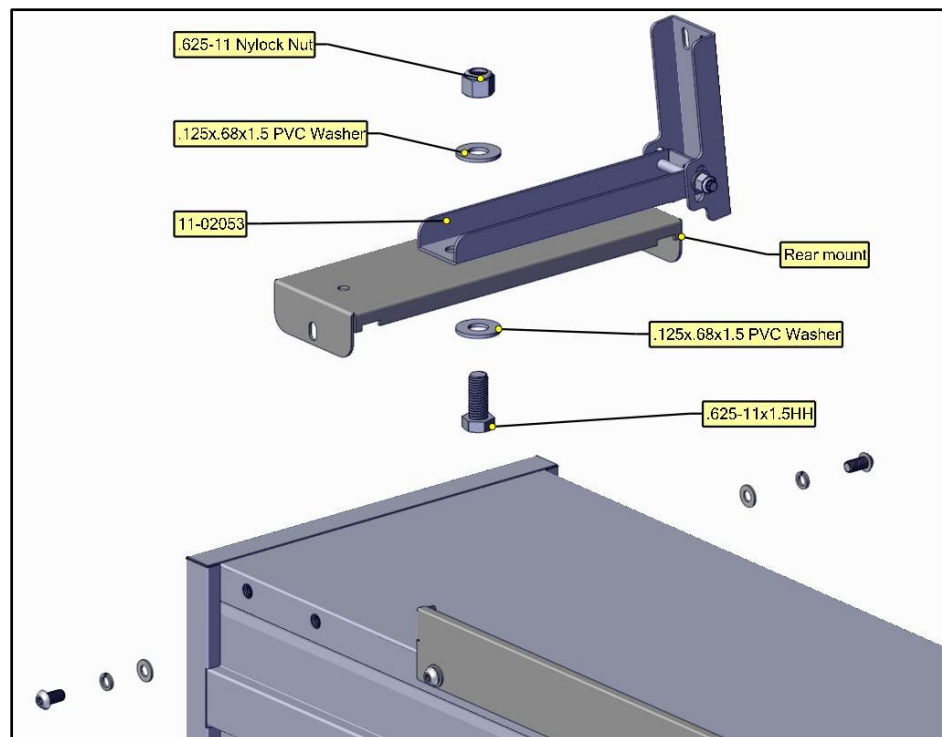


Low Roof, MWB Van Shown

- Once everything is aligned, Mark through the base of the pivot pro onto the floor of the van.
- Look underneath van and make sure you will not drill through anything important.
- Remove pivot pro and 3 drawer assembly.
- Drill through previously marked holes.

## Step 3

- With assembly removed from van, remove rear mount from the top of the 3 drawer unit.
- Tighten .625 bolt through the rear mount and 11-02053.
- Be sure to use the same slot in 11-02053 as you did when aligning in the van.

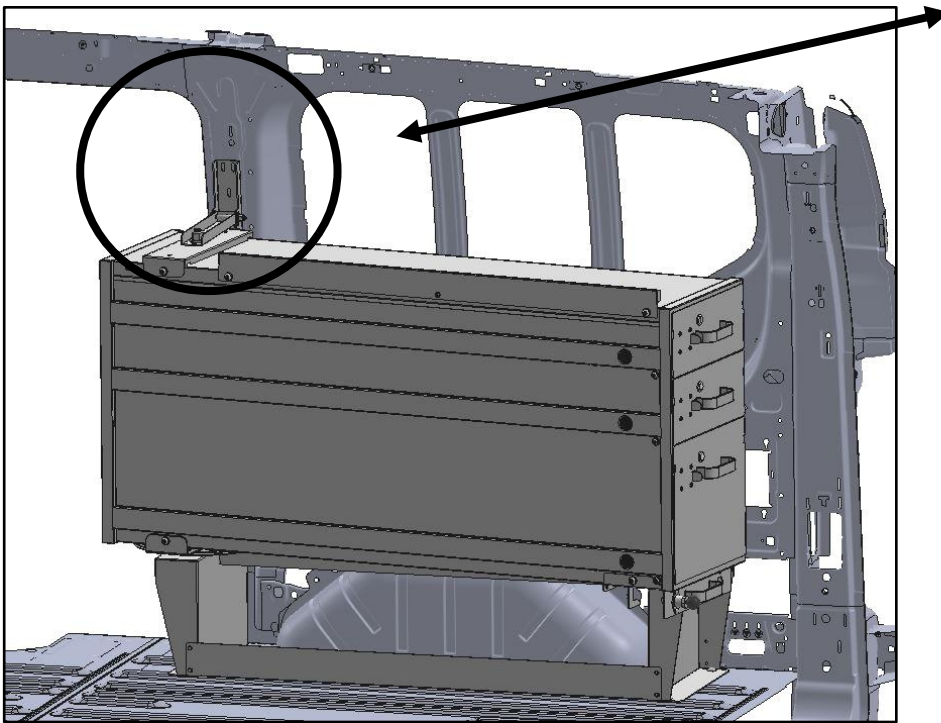
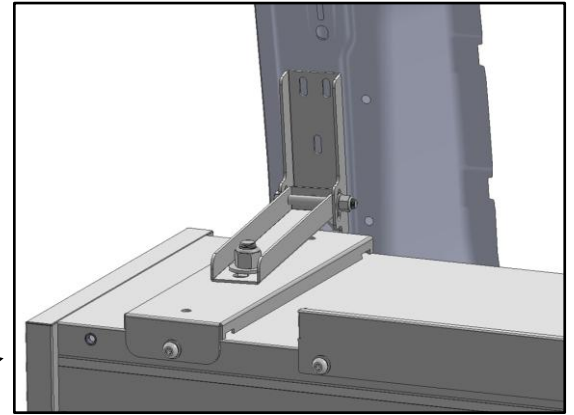


#### Step 4

- Insert Pivot pro and 3 Drawer back into van.
- Align base of pivot pro with the previously drilled holes into the floor.
- Bolt base of pivot pro through floor. Be sure to put fender washers on bottom side, underneath van.

#### Step 5

- Bolt mid support to wall of van.
- If installing on a MWB, use previously placed pem nuts.
- If installing on a LWB, pick up embossed holes in side of van.



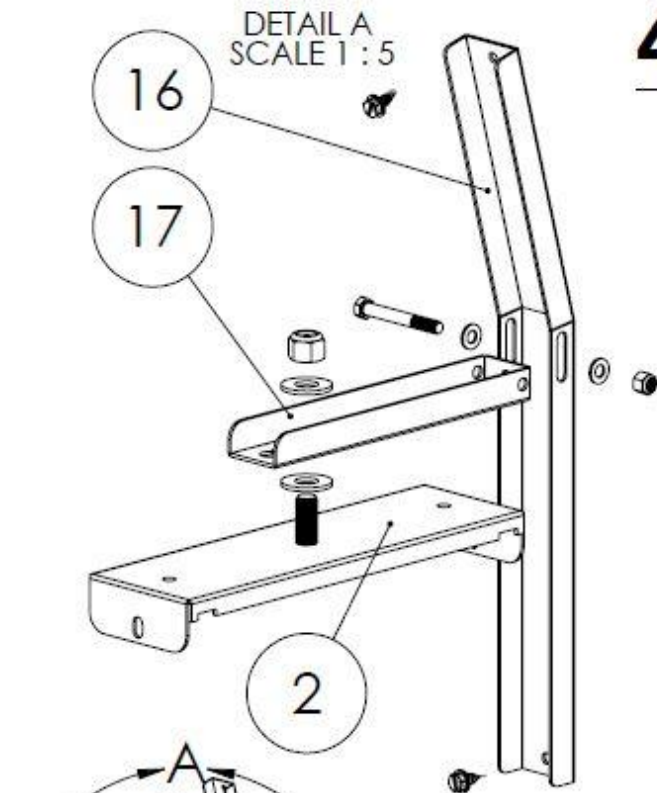
#### Step 6

- Be sure all bolts are tight
- Ensure full functionality of all 3 drawers.

Your installation is now complete



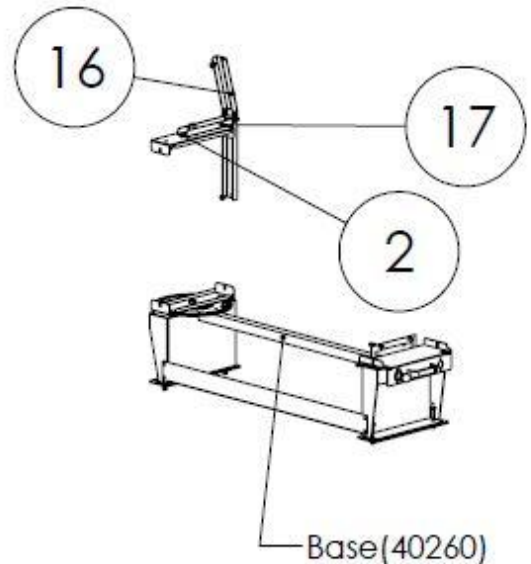
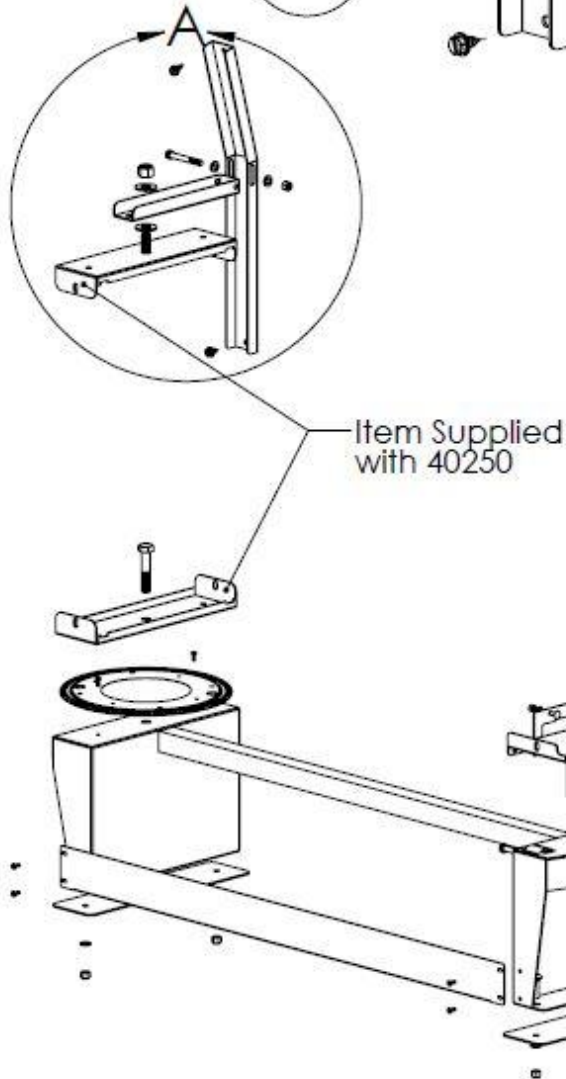
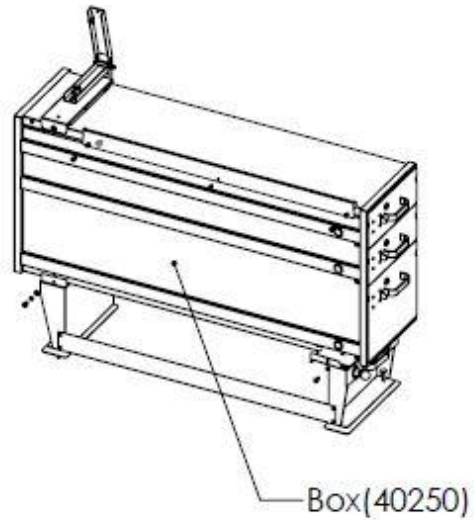
# 40260 Installation



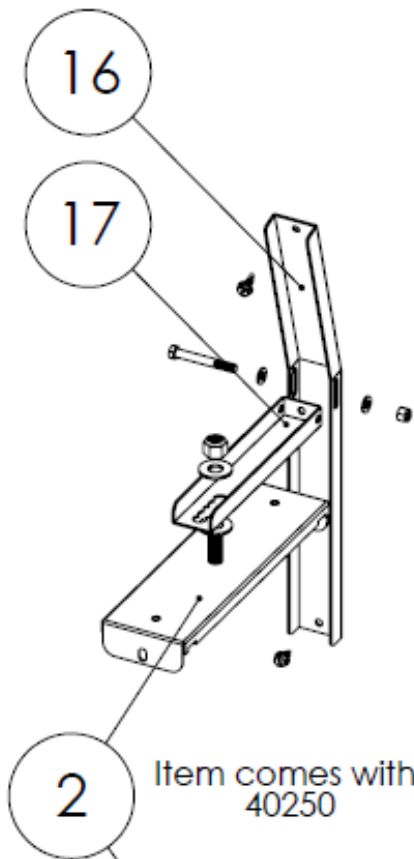
1) Set base(40260) approximately where desired. Bolt box(40250) to base(40260).

2) Attach top mount(Item 2,24&23)to box (40250). Adjust to fit the structural part of the wall in the van. Check clearance around the unit, it should be a minimum of 1/2". Mark and drill mounting holes.

3) Mark and drill holes for the base(40260) in the floor of the van. Bolt unit down.



# 40260 Parts List



ITEM NO.	PART NUMBER	DESCRIPTION	QTY.
1	13-02021	Base Weldment	1
2	11-04032		2
3	13-02022	Front Mount Assembly	1
4	11-02044	ROLLER-FRONT	2
5	.625-11x1.5HH	5/8-11x1.5 Hex Bolt	1
6	13-02020	Latch Assembly	1
7	11-02048	Stop-Swing Base	1
8	.125x.68x1.5 PVC Washer	95611A037-WASHER-PVC	3
9	.625-11 Nylock Nut	5/8-11 Nylock Nut	2
10	.625-11x3.0 HH	5/8-11x3.0 Hex Bolt	1
11	.375 Flat Washer	3/8 Flat Washer	8
12	11-02046	BACK UP PLATE	2
13	.375-16 Nylock Nut	3/8-16 Nyloc Nut	7
14	.25 Flat Washer	1/4 Flat Washer	4
15	.25-20 Nylock Nut	1/4-20 Nylock Nut	4
16	11-02052	Top Mount-Wall	1
17	11-02053	Top Mount-Box	1
18	1797K200	Turntable	1
19	10-32x.5 PH	10-32x.5 Pan Head	6
20	10-32 Nylock Nut	10-32 Nylock Nut	6
21	.25-20x.625 Carriage Bolt	1/4-20x5/8 Carriage Bolt	4
22	.375-16x3.0 Hex Bolt	3/8-16x3.0 Hex Bolt	3
23	.375X1.5 Carriage Bolt	3/8x1.5 Carriage Bolt	4
24	11-02049	Bottom Lip	1
25	.312x.75 Self Tapping	5/16x3/4Self Tapping	2

