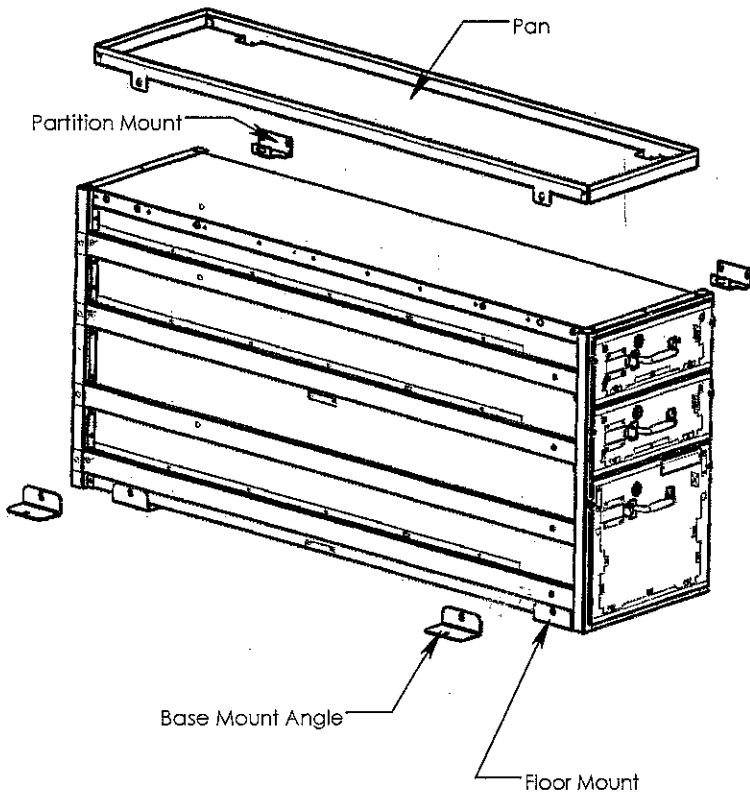


# 40250 Floor Installation



1) Bolt floor mount brackets and partition mount brackets to box. Set box in place, lining up the holes on the partition mount brackets with the existing holes in the partition (you can drill new holes if a different location is desired).

2) Mark the location of the floor mount brackets. Remove box and place floor mount brackets over your marks. Using the floor mount bracket as a template, drill holes in the floor and bolt the floor mount brackets down.

3) Set the box into the floor mount brackets and install the outboard side (side facing away from the partition) bolts only. Now bolt the partition mount brackets to the partition and you are done.

