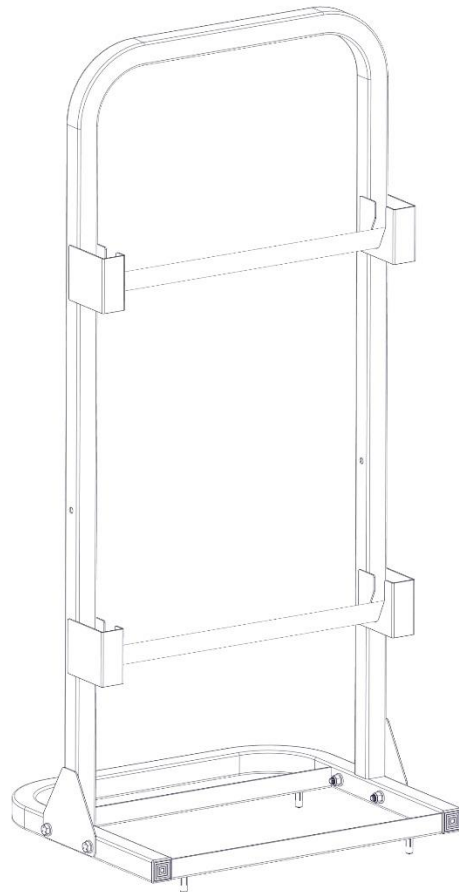

KARGO MASTER®

WE PUT EVERYTHING WITHIN REACH.

Installation Guide

40231



***PLEASE READ ALL INSTRUCTIONS AND WARNINGS PRIOR TO ASSEMBLING,
INSTALLING, AND USING THIS PRODUCT***

Warning



Always check for wires, fuel tanks and lines, brake lines and other important vehicle functionality items prior to drilling and installing all products.

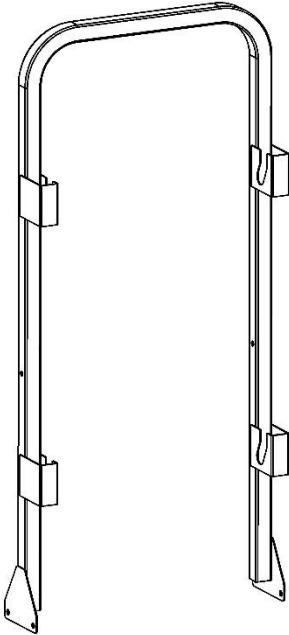
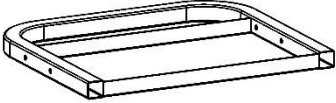

Tools Needed

| | |
|-------------------------|-------------------------|
| 1/2" Wrench and Socket | 7/16" Wrench and Socket |
| 25/64" Drill (optional) | 3/8" Wrench and Socket |

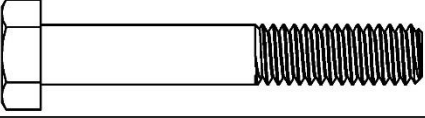
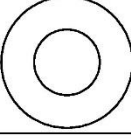

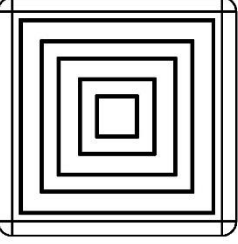
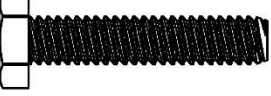
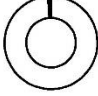
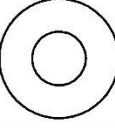
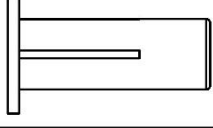
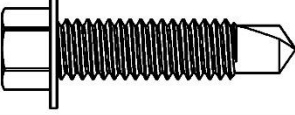
Before You Begin

- Read all instructions.
 - ENSURE SAFETY PRIOR TO DRILLING OR INSTALLING SHEET METAL SCREWS.
-

Parts

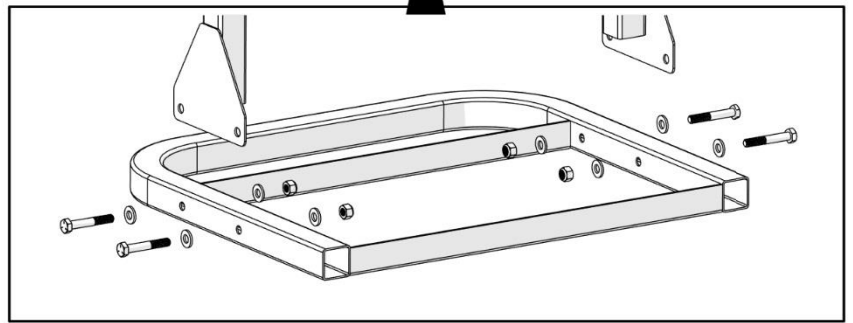
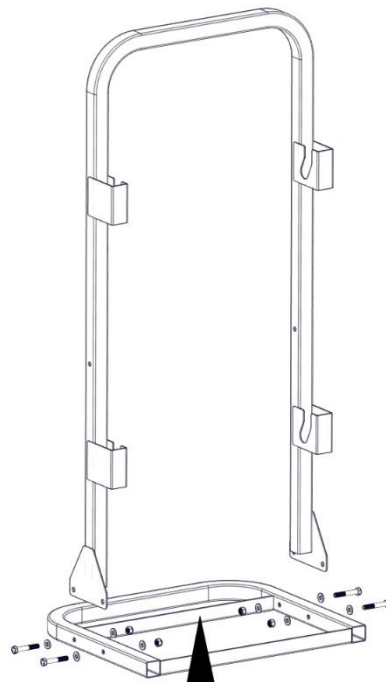
| ITEM NO. | | PART NUMBER | DESCRIPTION | QTY. |
|----------|---|--------------|---------------------|------|
| A |  | 40231-10 | CABLE REEL HOOP ASM | 1 |
| B |  | 40231-20 | CABLE REEL BASE ASM | 1 |
| C |  | 40231-00-001 | CABLE REEL TUBE | 2 |
| | | 18-40231 | CABLE REEL-HARDWARE | 1 |

Hardware

| ITEM NO. | TO SCALE | DESCRIPTION | PART NUMBER | QTY. |
|----------|---|----------------------------------|-----------------|------|
| 1 |  | 5/16"-18 x 2" HH | 91247A591 | 4 |
| 2 |  | 5/16" Flat Washer | 90126A030 | 8 |
| 3 |  | 5/16"-18 Nyloc | 95615A160 | 4 |
| 4 |  | SQUARE TUBE CAP | 9565K15 | 2 |
| 5 |  | 1/4"-20 x 1-1/4" Hex Head | 92865A544 | 4 |
| 6 |  | 1/4" Split Lock Washer | 91102A750 | 4 |
| 7 |  | 1/4" Flat Washer | 90126A029 | 4 |
| 8 |  | 1/4"-20 Plus Nut | .25-20 Plus Nut | 4 |
| 9 |  | 5/16" x 1-1/4" Sheet Metal Screw | 90064A709 | 4 |

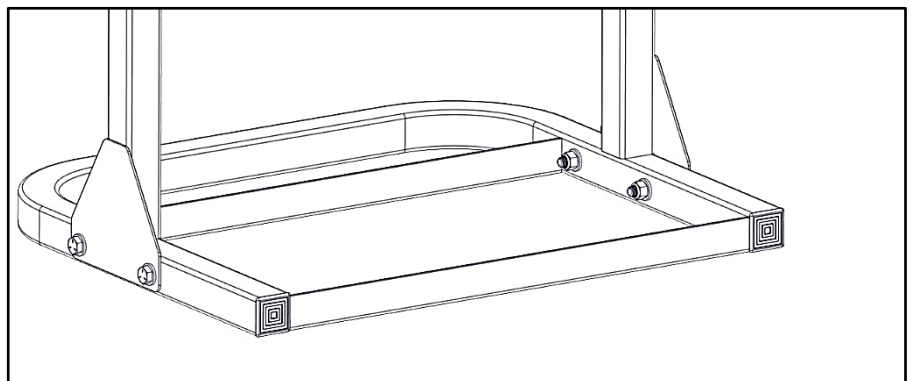
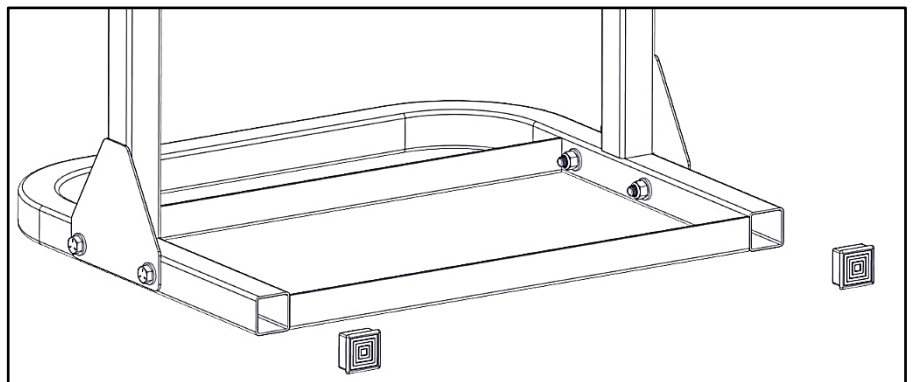
Step 1 – Assemble Holder

- Place hoop asm (A) on top of base asm (B) in orientation shown.
- Bolt hoop to base using 5/16" x 2" hex head bolts (1), 5/16" flat washers (2) and 5/16" nyloc nuts (3), in orientation shown.
- Repeat for a total of 4 times.
- TIGHTEN.



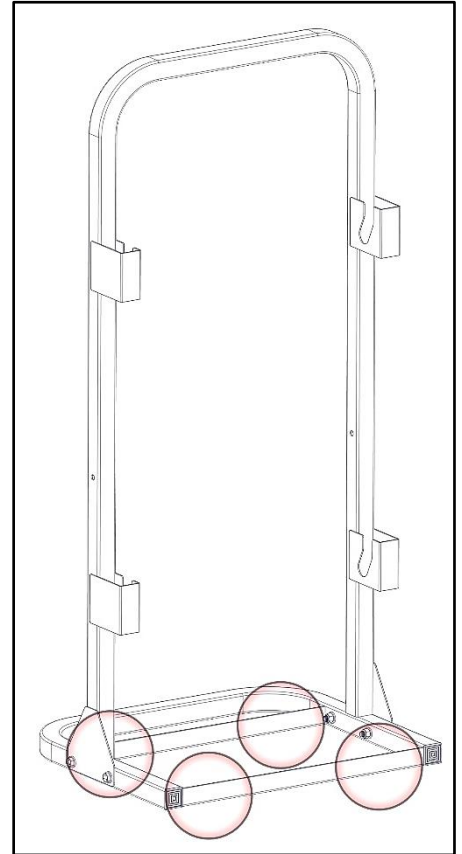
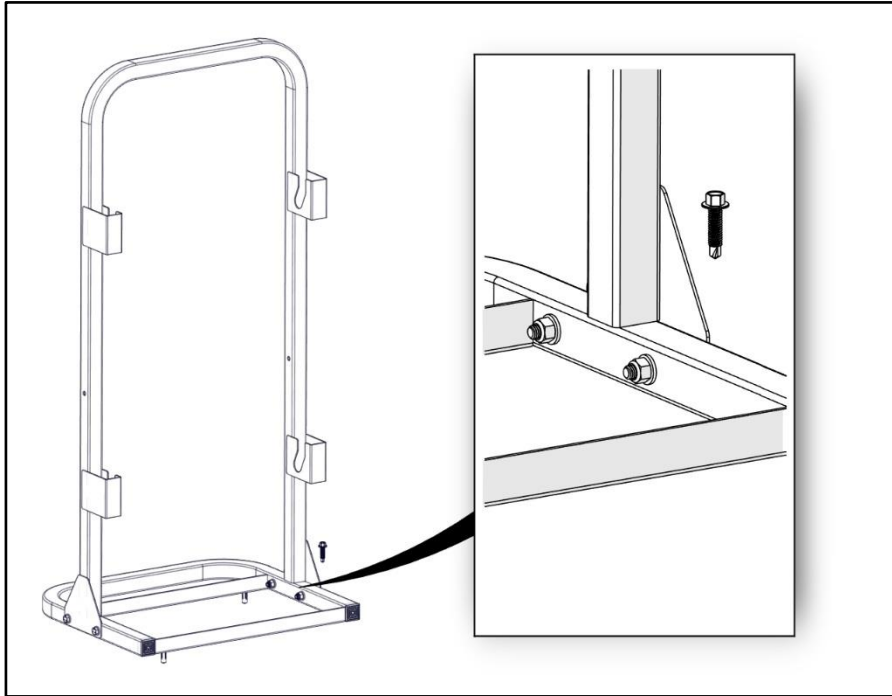
Step 2 – Install Tube Caps

- Press tube cap (4) into the exposed ends of the base tube (2).

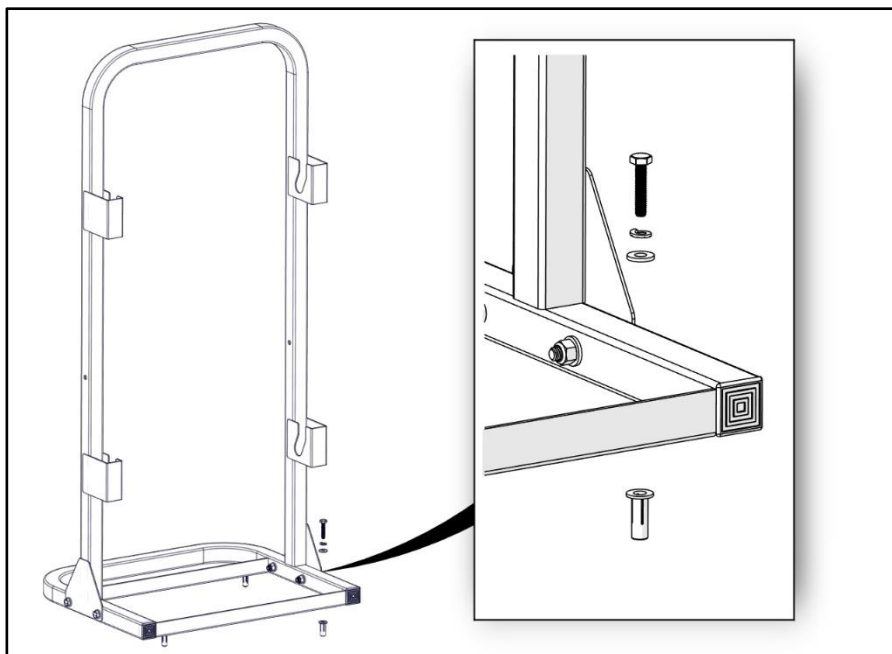


Step 3 – Find Location and Install

- Find desired location for cable reel holder to be installed.
- There are 4 mount locations in the base.
- You have two options when mounting the base into vehicle.
 1. Use sheet metal screws (9). This is the quickest and easiest installation method. Ensure it is safe to drill.

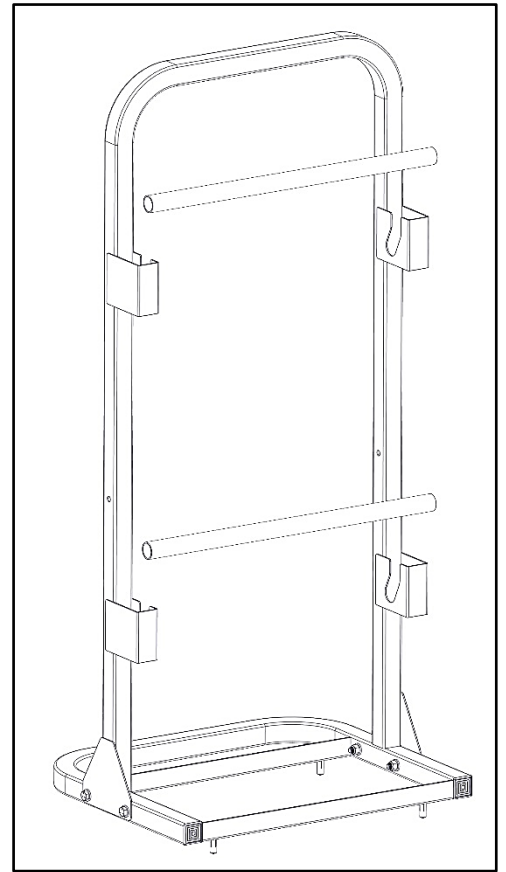


2. Use plus nuts. Mark location on floor, drill with a 25/64" bit. **ENSURE SAFETY PRIOR TO DRILLING.** Install plus nut into hole. Bolt cable reel holder to installed plus nuts using 1/4" x 1-1/4" hex head (5), 1/4" split lock washer (6) and 1/4" flat washer (7). This is the strongest and recommended installation. **TIGHTEN.**



Step 4 – Install Tubes

- Place cable reel tubes in place.



Ensure all bolts are tight. Your Installation is now complete.

