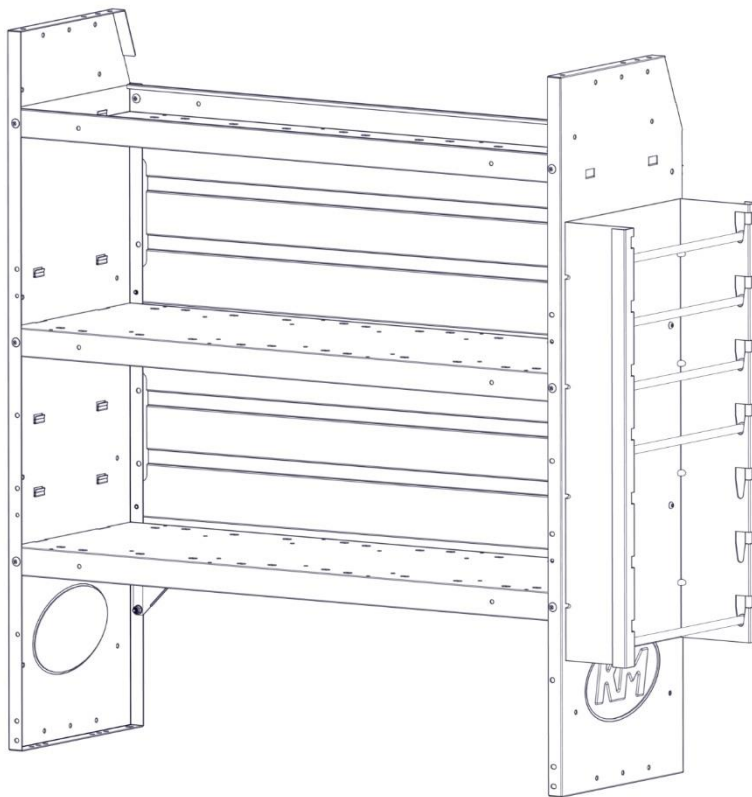

KARGO MASTER[®]

WE PUT EVERYTHING WITHIN REACH.

Installation Instructions

40230



***PLEASE READ ALL INSTRUCTIONS AND WARNINGS PRIOR TO ASSEMBLING,
INSTALLING, AND USING THIS PRODUCT***

Warning



Always check for wires, fuel tanks and lines, brake lines and other important vehicle functionality items prior to drilling and installing all products.

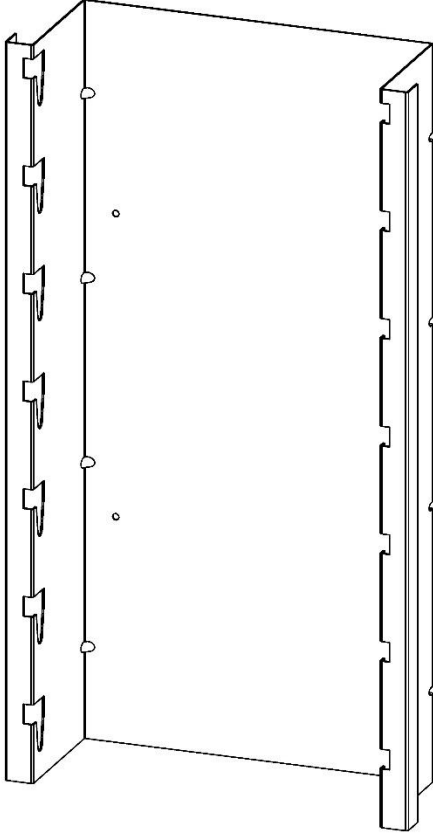

Tools Needed

5/32" Allen Hex	7/16" Wrench and Socket
1/4" Drill (optional)	

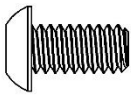
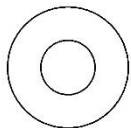

Before You Begin

- Read all instructions.
- ENSURE SAFETY PRIOR TO DRILLING.
- Product can be installed on virtually any sheet metal product.

Parts

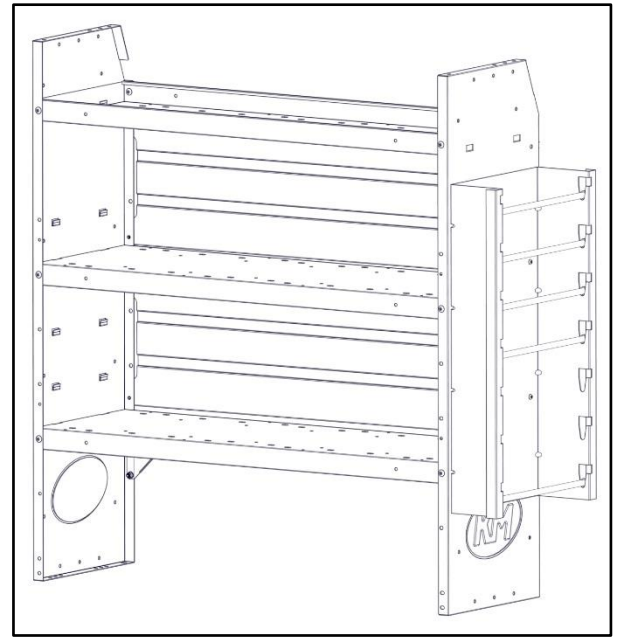
ITEM NO.		PART NUMBER	DESCRIPTION	QTY.
A		40230-00-001	Reel Base	1
B		40230-10	Reel Bar ASM	5
		18-40230	Hardware Kit	1

Hardware

ITEM NO.	TO SCALE	DESCRIPTION	PART NUMBER	QTY.
1		.25-20 x .50 BHCS	91306A375	4
2		.25 Flat Washer	90126A029	4
3		.25-20 Nyloc	95615A120	4

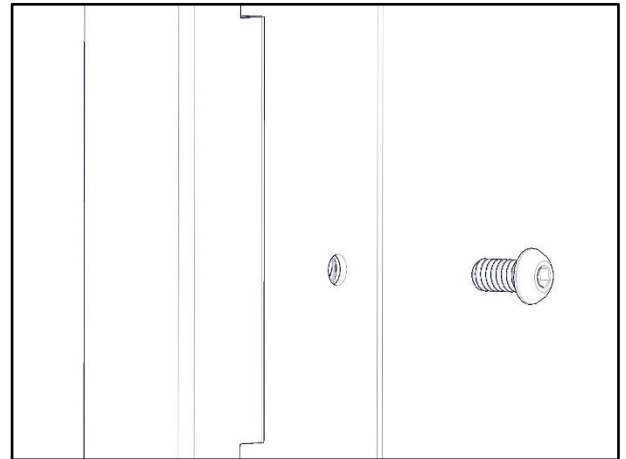
Step 1 – Find Location

- Find desired location for wire wheel holder to be installed.
- On the side of most KargoMaster shelf units, holes can be found that correspond with holes from the wire wheel holder.
- Place reel base (A) in desired location, if holes do **NOT** align, mark hole locations and drill with 1/4" drill.
- One can place wire wheel holder in any desired location.

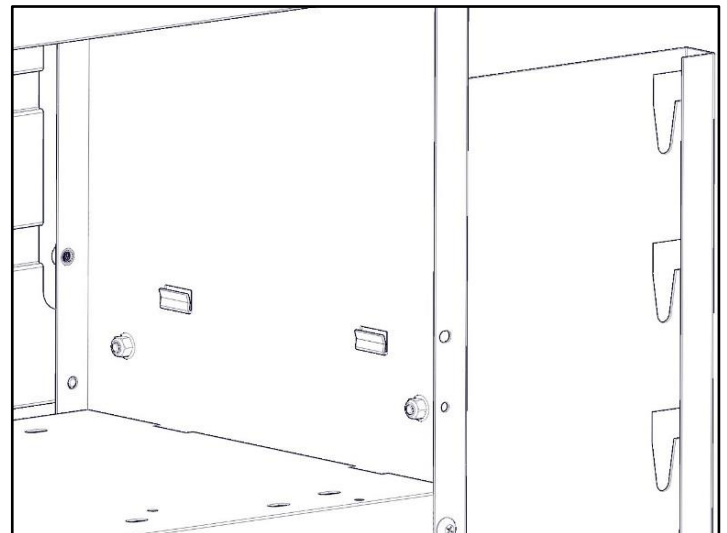
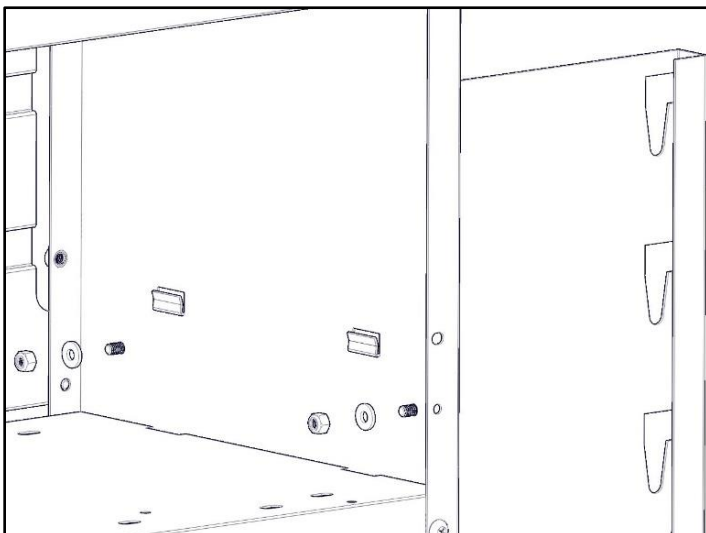


Step 2 – Attach

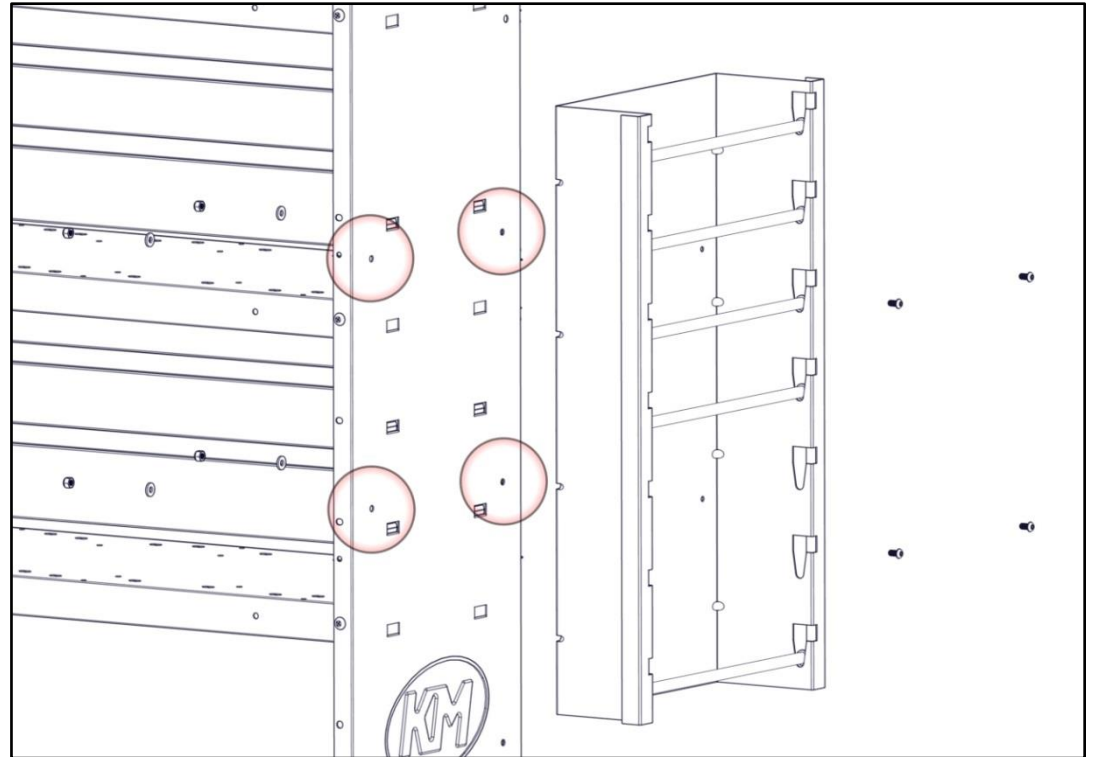
- Bolt together using a 1/4" x 1/2" button head cap screw (1) on the reel base (A) side.



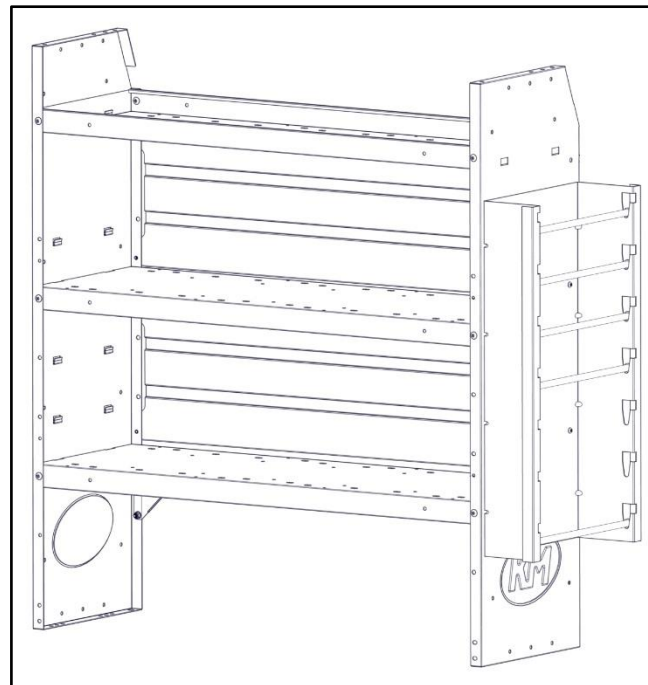
- On the attachment side, bolt together using a 1/4" flat washer (2) and a 1/4" nyloc nut (3).



- Repeat 3 more times as shown



- Place reel bars (B) in desired locations.



Ensure all bolts are tight. Your Installation is now complete.

Check out a selection of commercial van equipment in our online store.