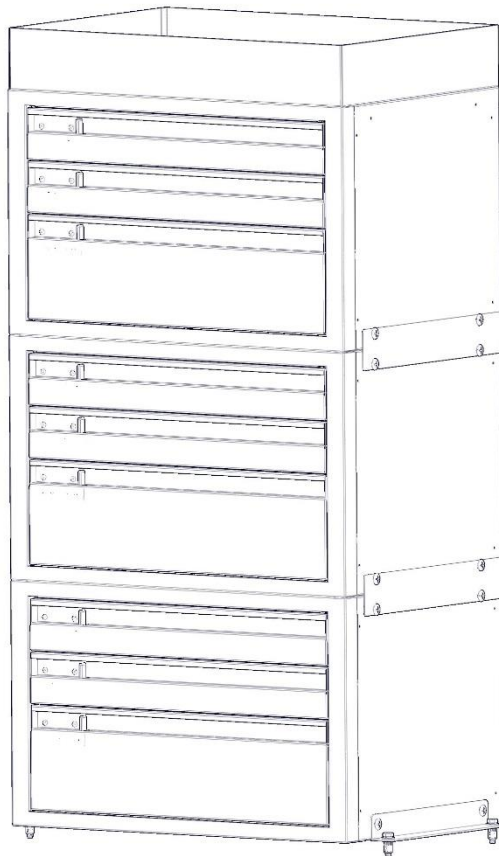

KARGO MASTER®

WE PUT EVERYTHING WITHIN REACH.

Installation Instructions

40150



***PLEASE READ ALL INSTRUCTIONS AND WARNINGS PRIOR TO ASSEMBLING,
INSTALLING, AND USING THIS PRODUCT***

Warning



Always check for wires, fuel tanks and lines, brake lines and other important vehicle functionality items prior to drilling and installing all products.

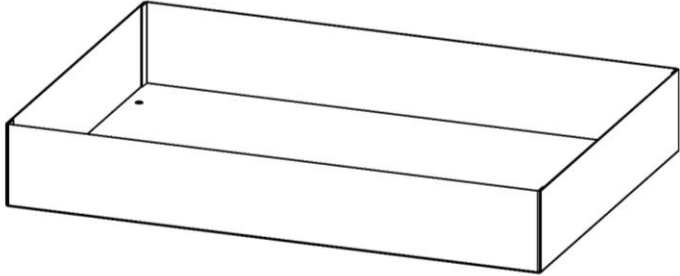
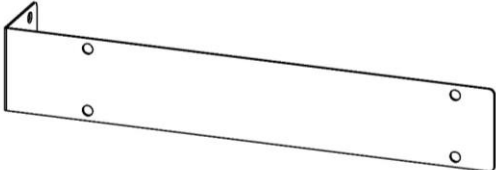
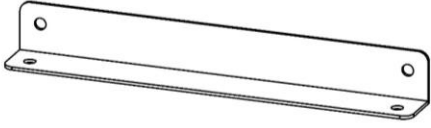
Tools Needed

Phillips driver	25/64" Drill bit
Drill	7/16" Socket and Wrench

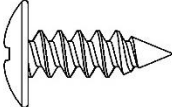
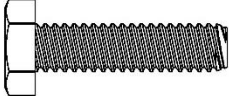

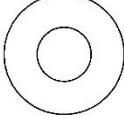
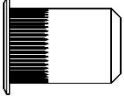
Before You Begin

- Read all instructions.
- Ensure safety when drilling.

Parts

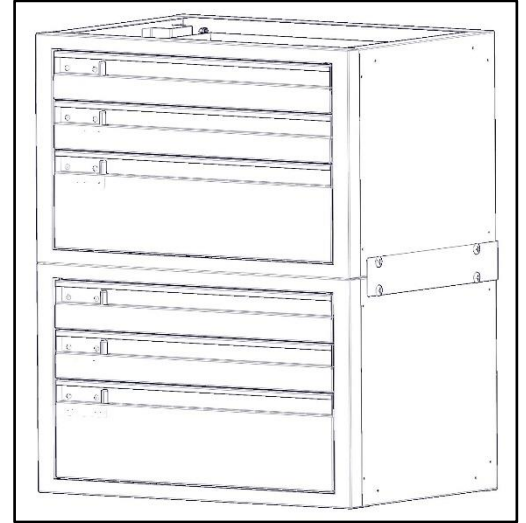
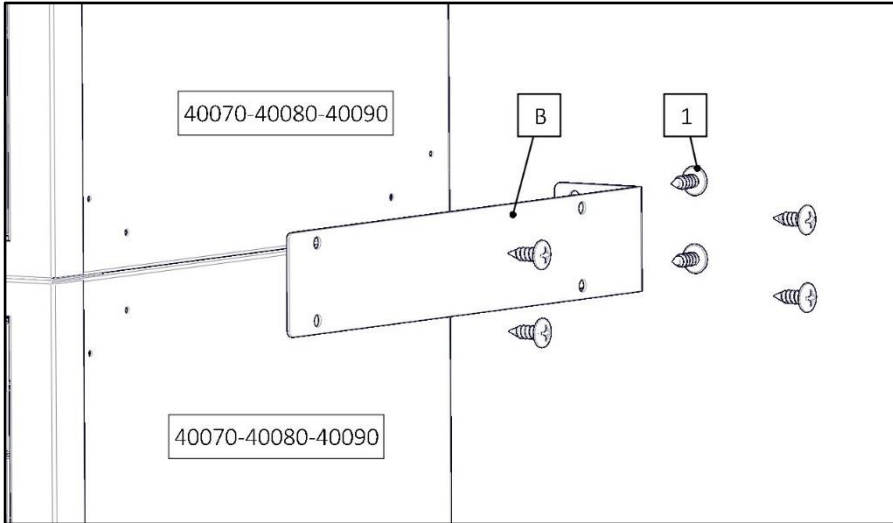
ITEM NO.		PART NUMBER	DESCRIPTION	QTY.
A		40150-00-001	Top Tray	1
B		40150-00-002	Connector Bracket	4
C		40150-00-003	Floor Mount	2
		18-40150		1
	INSTRUCTIONS			1

Hardware

ITEM NO.	SCALE	DESCRIPTION	PART NUMBER	QTY.
1		14x.75 Truss Head Sheet Metal Screw	14x.75 Truss Head Sheet Metal Screw	32
2		.25-20x1.0 Hex Bolt	92865A544	4
3		.250 Lock Washer	.250 Lock Washer	4
4		.25 Flat Washer	90126A029	4
5		.25-20 ZINC-PLATED STEEL HEAVY-DUTY RIVET NUT	95105A143	4

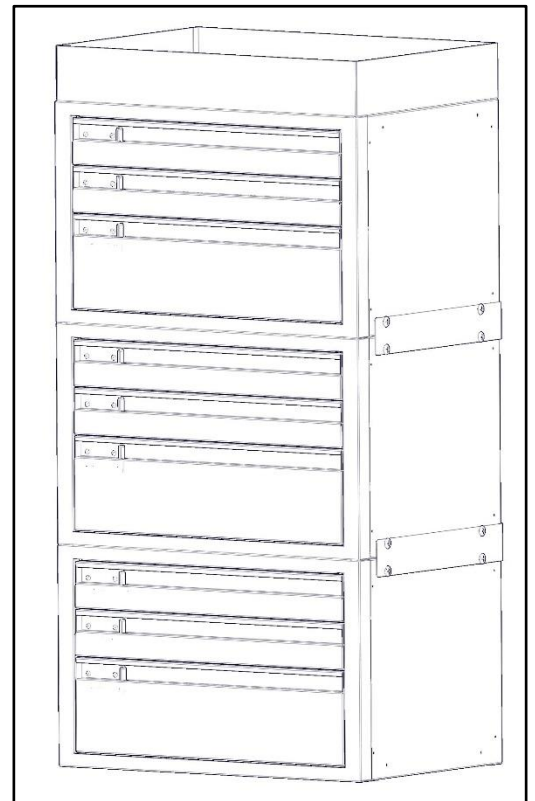
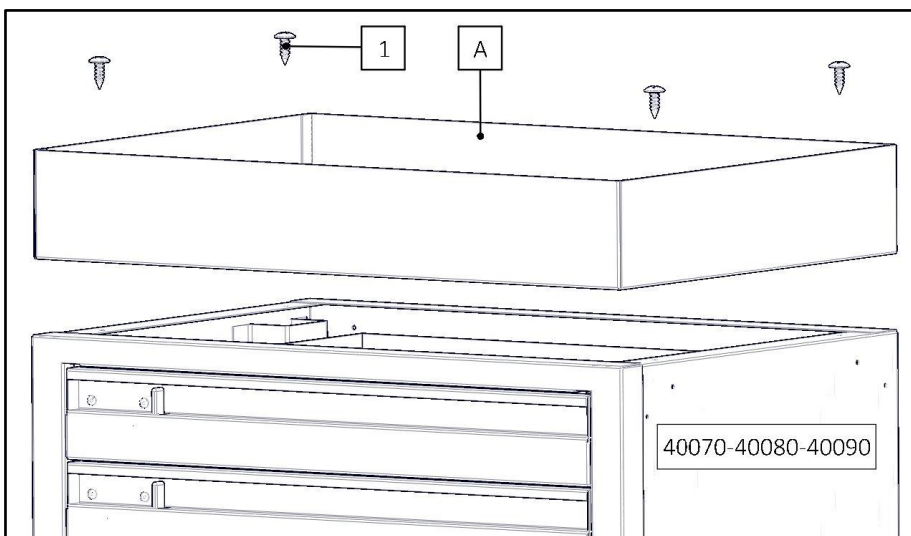
Step 1 – Bolt drawer units together

- Stack two drawer units (40070,40080,40090) on top of one another.
- Place connector bracket (B) so that holes from each drawer unit align with holes in the bracket. Place the long end of the bracket along the side and the short end at the rear.
- Screw bracket into place using #14 screw. TIGHTEN.
- Repeat on both sides.



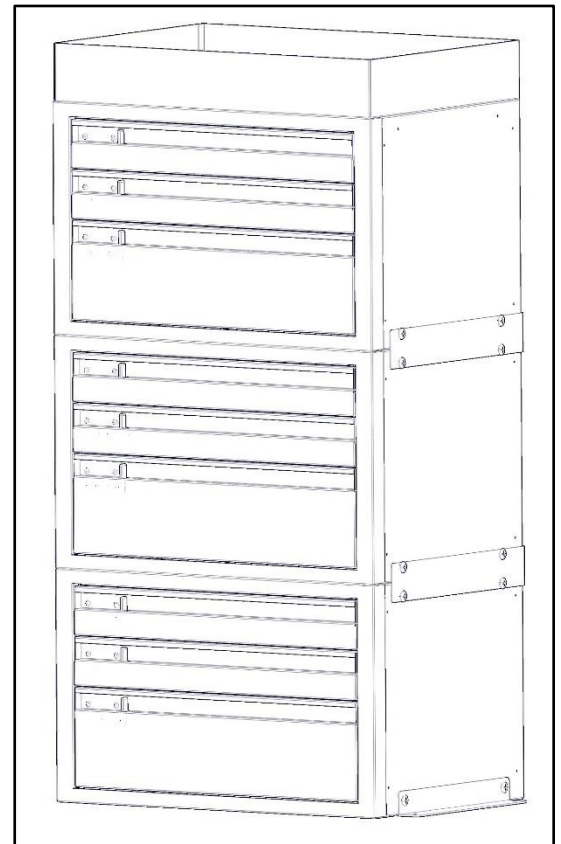
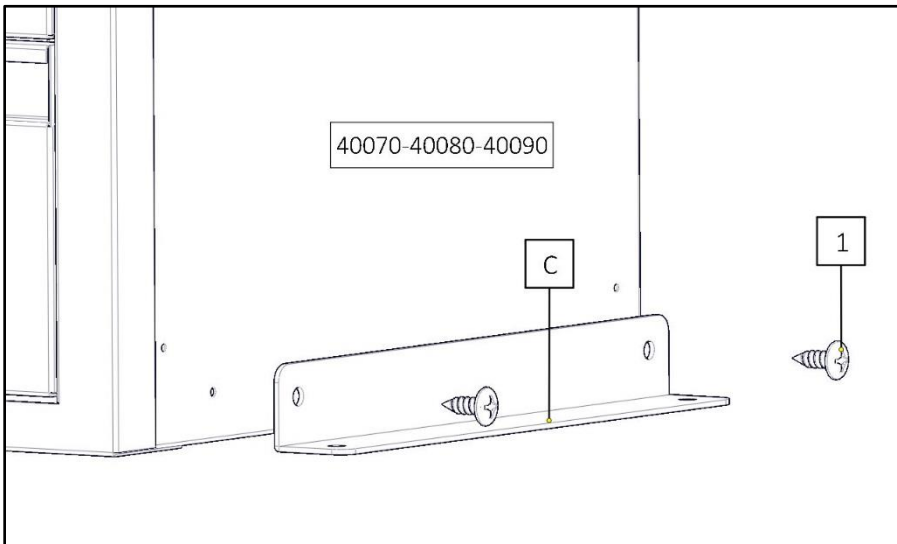
Step 2 – Assemble Top Tray

- Decide whether two or three drawer units will be stacked.
- On the top drawer unit place the top tray (A) in the correct orientation. Holes should line up from both units. If they do not, drill a .140" hole in desired location.
- Once top tray (A) is in desired location, screw into place using four #14 screws. TIGHTEN.



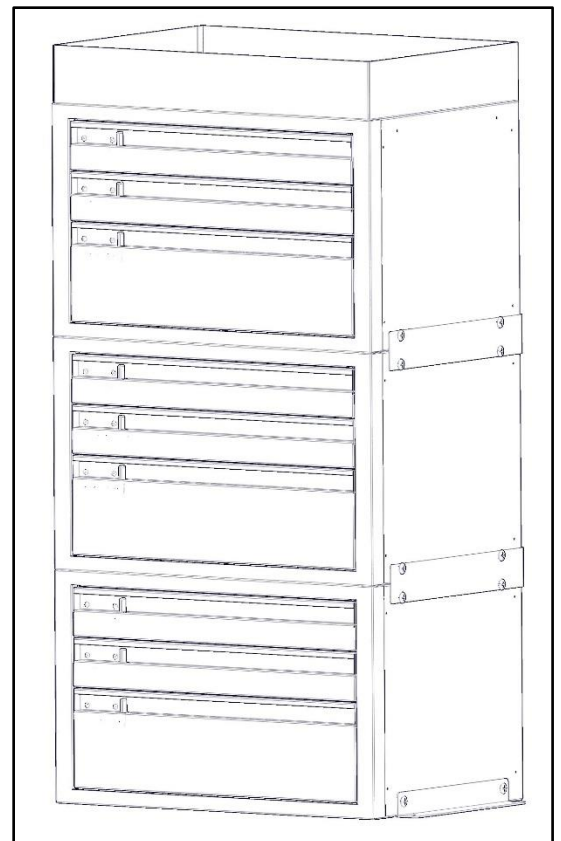
Step 3 – Assemble floor mounts

- Align floor mount (C) to the side of the bottom drawer unit as shown.
- Attach using two #14 screws (1). Tighten.
- Repeat on both sides

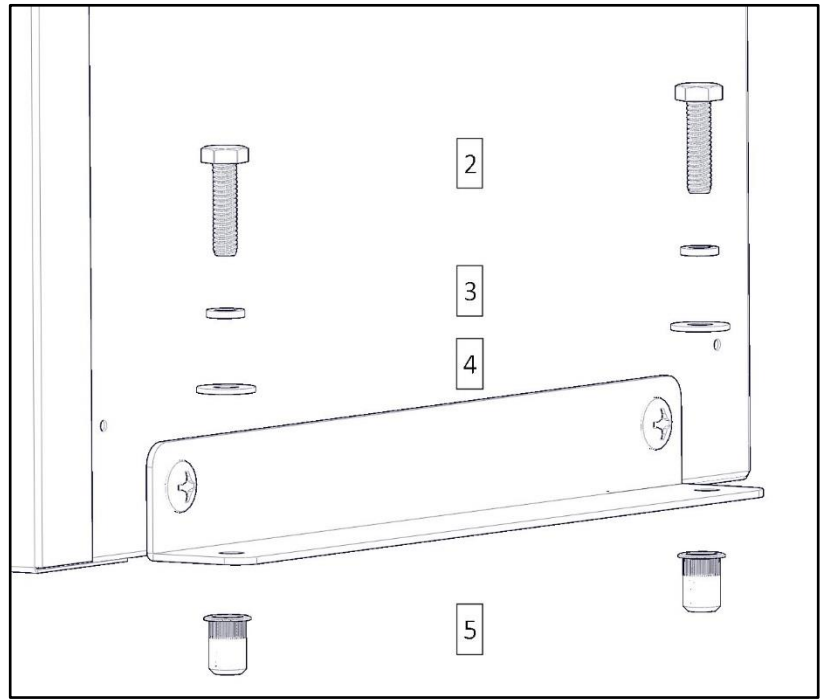


Step 4 – Install into Vehicle

- Place assembled unit into vehicle in desired location.
- Align and square unit to your liking.
- Mark the four holes through floor mount (C) onto the floor.
- Drill using a 25/64" drill bit.
(If van has a floor mat, we recommend using a 1" wholesaw to expose metal floor)
Ensure it is safe to drill.
- Remove unit, install riv nut (5).



- Place unit over previously installed riv nuts.
- Bolt into place using .25 x 1" hex head bolt (2), a .25" split lock washer (3) and a .25" flat washer (4).
- TIGHTEN



GO BACK AND ENSURE ALL HARDWARE IS TIGHT
Your installation is now complete.

