

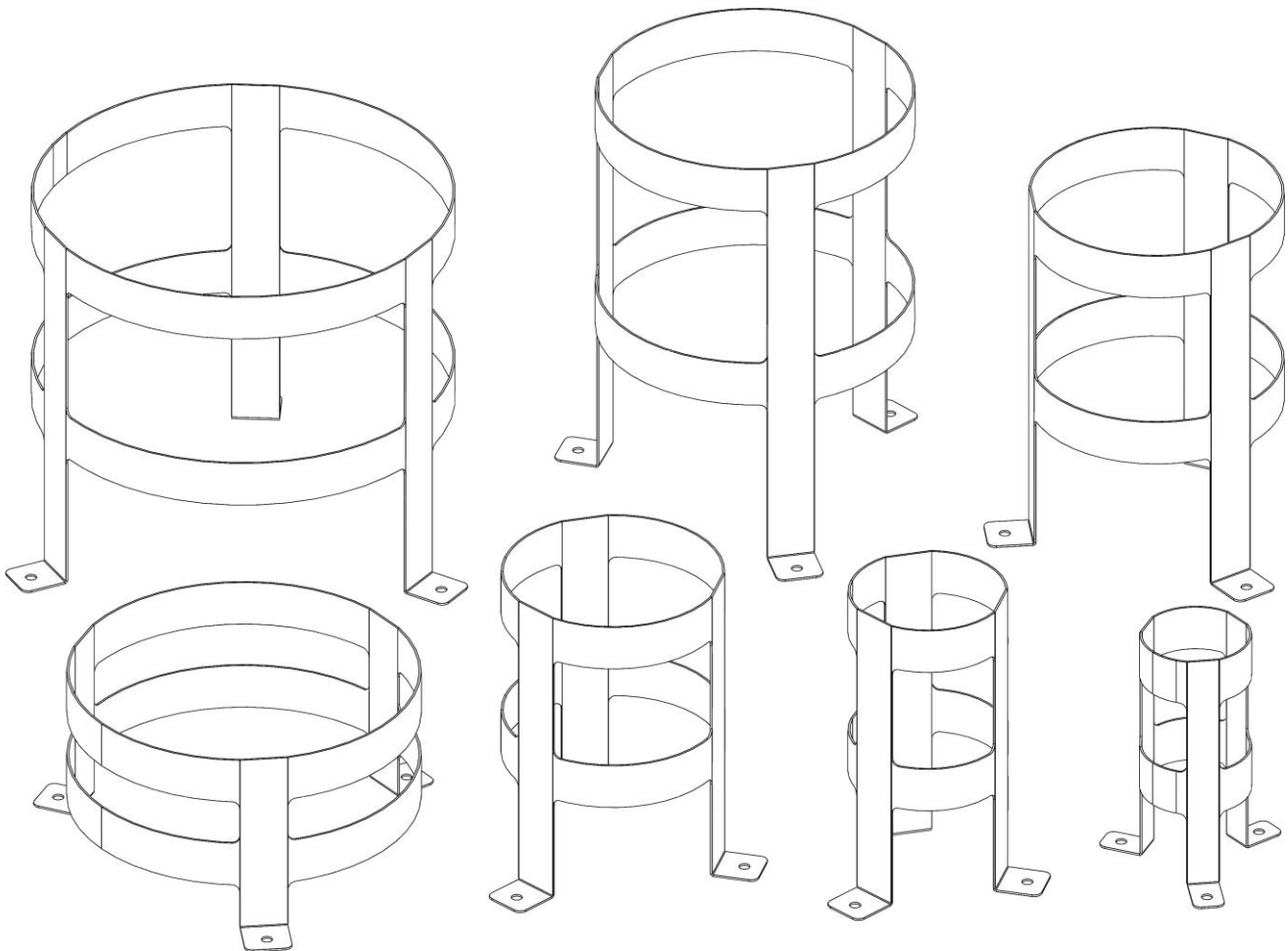
# KARGO MASTER®

**WE PUT EVERYTHING WITHIN REACH.**

---

## Instruction Guide Tank and Bucket Holders

---



**\*PLEASE READ ALL INSTRUCTIONS AND WARNINGS PRIOR TO ASSEMBLING, INSTALLING, AND USING THIS PRODUCT.\***

**Warning**



**Always check for wires, fuel tanks and lines, brake lines and other important vehicle functionality items prior to drilling and installing all products.**

**Tools Needed**

7/16" Socket and Socket Wrench	9/16" Box Wrench
25/65" Drill Bit	Drill
Drill Bit Stop Collar	

**Table of Contents**

Parts List ..... 2

Hardware ..... 2

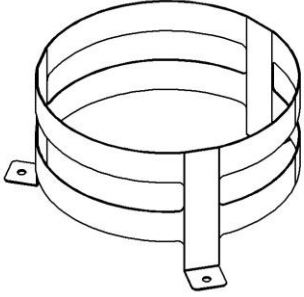
Installation ..... 2

**Before You Begin**

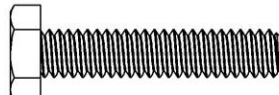
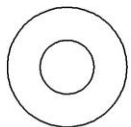
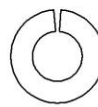
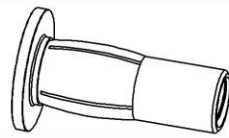
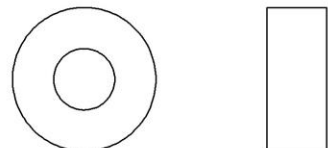
**NOTE: These instructions apply to several models of Kargo Master bucket and tank holders. Not all bucket and tank holders pictured on front page are included with each kit. Each tank or bucket must be purchased separately.**

- Read all instructions prior to installing any Kargo Master product.
- Be sure to put sealant around all threads entering cargo area to prevent water from leaking into cargo area.

**Parts List**

ITEM NO.	ITEM	PART NUMBER	DESCRIPTION	QTY
1		-	BUCKET OR TANK HOLDER	1
2		18-40120	40120 HARDWARE KIT	1


**Hardware**

ITEM	HARDWARE TO SCALE	PART NUMBER	DESCRIPTION	QTY.
1		13800	1/4"-20 X 1-1/4" HEX HEAD BOLT	3
2		33078	1/4" WASHER	3
3		33618	1/4" LOCK WASHER	3
4		920313726	1/4"-20 PLUS NUT	3
5		-	25/64" ID X 1" OD X 3/8" NYLON SPACER	3

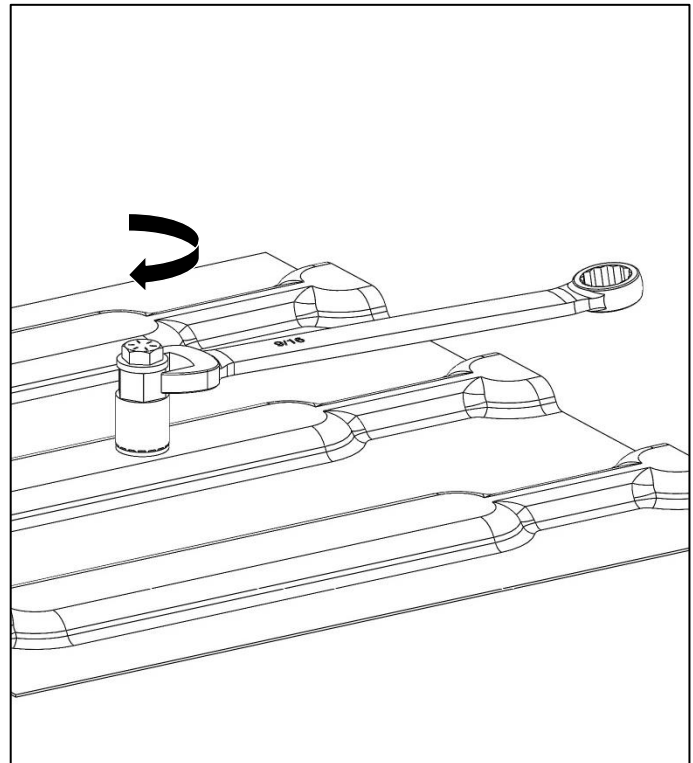
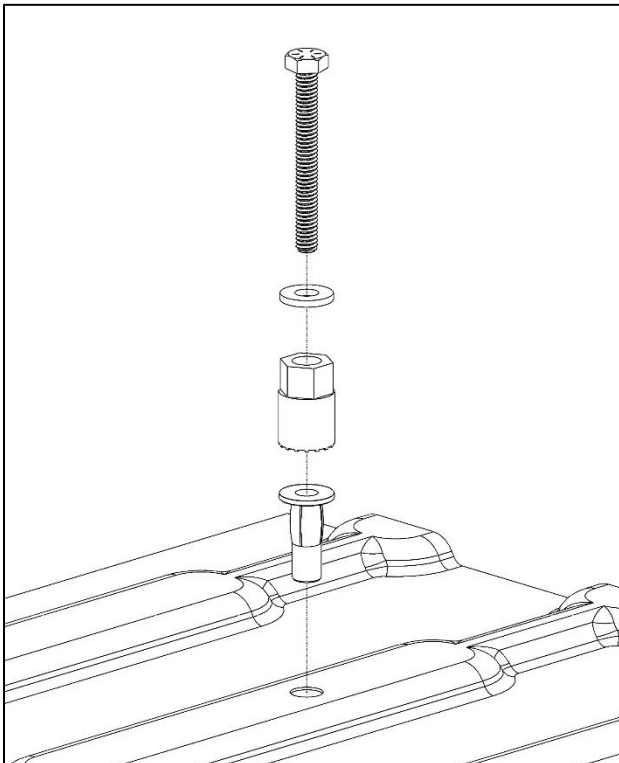
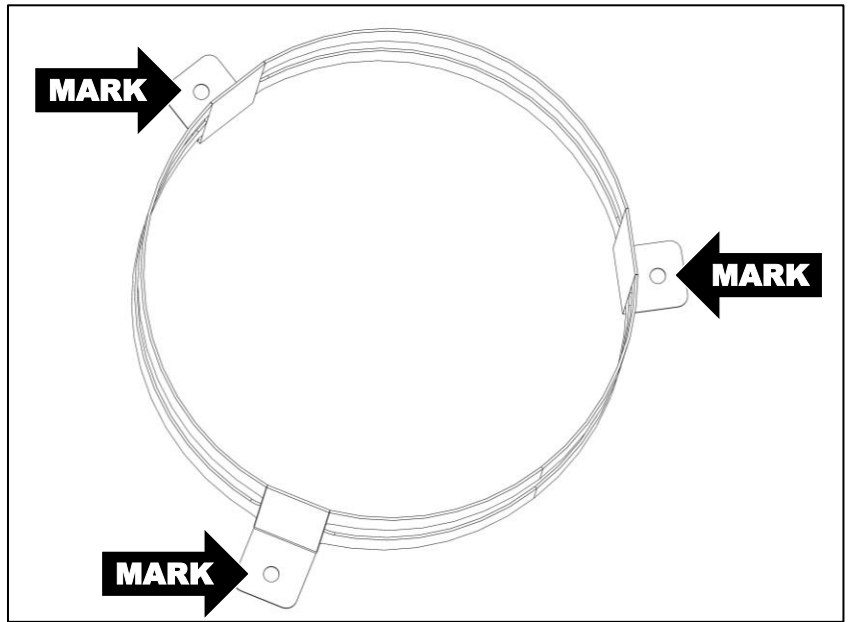
**Installation**

- Position tank or bucket holder in desired location in vehicle. If mounting near rear door, be sure to allow enough clearance to close van door.
- **Verify that each mounting location is clear of wires, fuel tanks and lines, brake lines, and other important vehicle functionality items prior to drilling.**

- Mark through each mounting location onto vehicle floor.

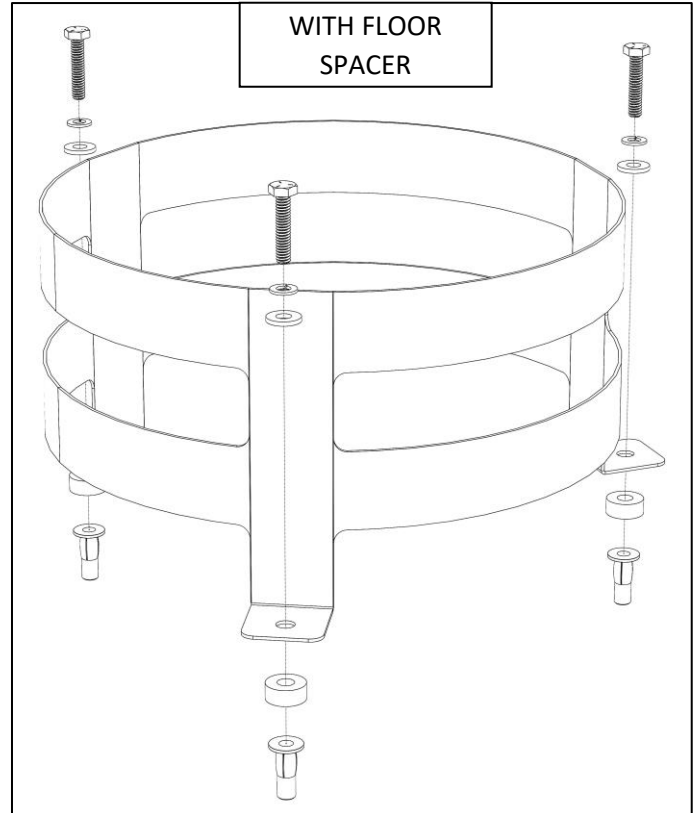
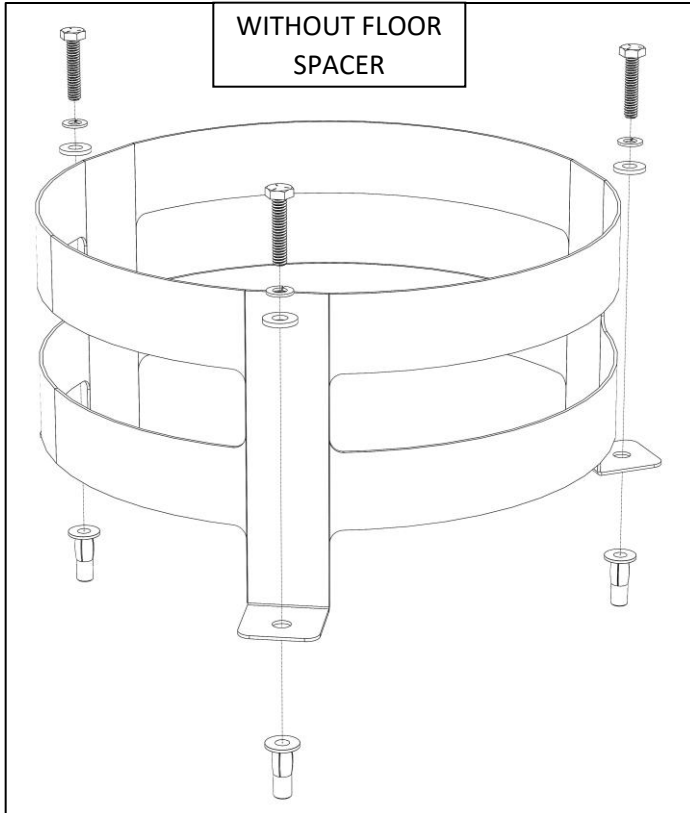
 **DO NOT drill beyond depth of floor. Always check that each location is clear of wires, fuel tanks and lines, brake lines and other important vehicle functionality items prior to drilling and installing any product.**

- Drill hole using 25/64" drill bit and appropriate sized drill-bit stop collar. If 25/64" drill bit is not available, a 3/8" drill bit can be used, although it may be necessary to tap in the plus nuts.
- Insert a 1/4" x 2-1/4" hex head bolt through a 1/4" washer and the plus nut installation tool, then screw the bolt into plus nut. Knurled end of plus nut tool must be directed away from bolt head and contacting plus nut.
- Insert and press plus nut, with tool still attached, into hole.
- Using the 9/16" box wrench, hold the plus nut tool stationary and then tighten hex head bolt until plus nut is tightly gripping and does not spin when hex bolt is loosened.
- DO NOT overtighten plus nut.



- Using one 1/4" x 1-1/4" hex head bolt, one 1/4" lock washer, and one 1/4" flat washer at each mounting location, fasten the bucket holder to the plus nuts previously installed into the vehicle floor. DO NOT tighten until after all three bolts have been installed.

**NOTE: If a gap exists between the tank holder and the floor, insert a floor spacer between the tank holder and the floor.**



**GO BACK AND ENSURE ALL HARDWARE IS TIGHTENED.**

**ASSEMBLY AND INSTALLATION ARE COMPLETE.**