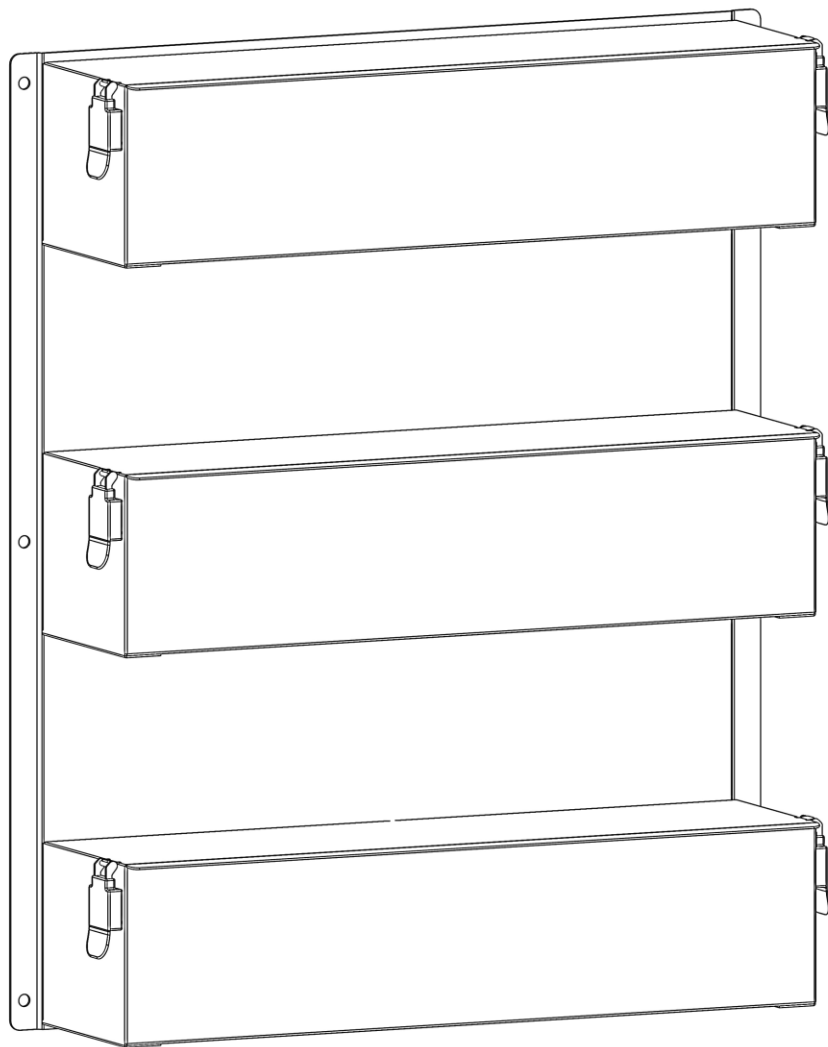


KARGO MASTER®

WE PUT EVERYTHING WITHIN REACH.

Instruction Guide

40115



PLEASE READ ALL INSTRUCTIONS AND WARNINGS PRIOR TO ASSEMBLING, INSTALLING, AND USING THIS PRODUCT.

Warning



Always check for wires, fuel tanks and lines, brake lines and other important vehicle functionality items prior to drilling and installing all products.

Tools Needed

7/16" Socket and Wrench	9/16" Box Wrench
25/64" Drill Bit	Drill
Plus Nut Installation Tool (P9902)	

Table of Contents

Before You Begin..... 1

Parts List..... 1

Hardware 2

Step 1 – Prepare Installation Location..... 2

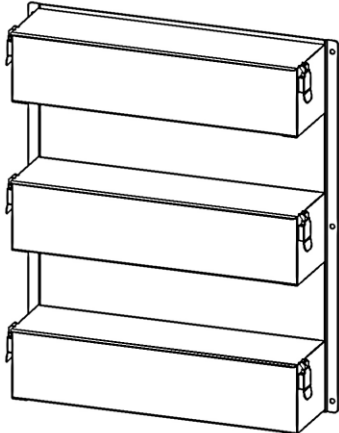
Step 2 – Install Plus Nuts..... 3

Step 3 – Install Door Organizer..... 3

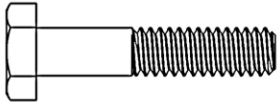
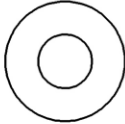

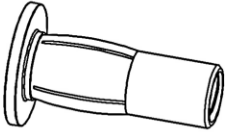
Before You Begin

- Read all instructions prior to assembling or installing any Kargo Master product.
- Verify clearance around installation area for tank before installation.

Parts List

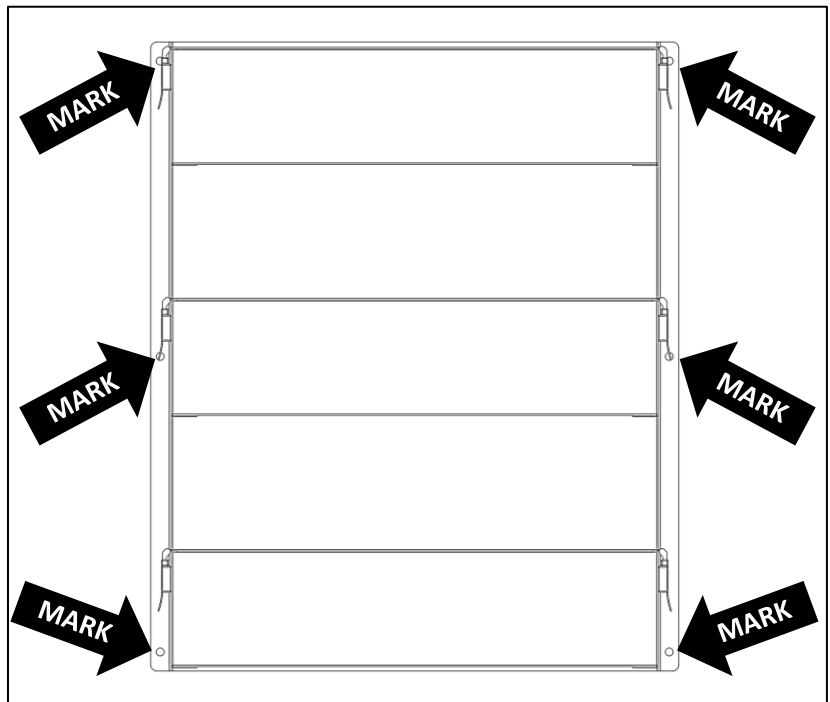
ITEM NO.	ITEM	PART NUMBER	DESCRIPTION	QTY.
1		100909	DOOR ORGANIZER ASSEMBLY	1
2		18-40115	HARDWARE KIT	1

Hardware

ITEM	HARDWARE TO SCALE	PART NUMBER	DESCRIPTION	QTY.
1		13007	1/4"-20 X 1-1/4" HEX HEAD BOLT	6
2		33078	1/4" FLAT WASHER	6
3		33618	1/4" LOCK WASHER	6
4		920313726	1/4"-20 PLUS NUT	6

Step 1 – Prepare Installation Location

- Determine proper installation location.
- Verify clearance around installation area before installing.
- Verify door will close with installation of door organizer.
- Set door organizer in place at desired installation location.
- Mark the location of each of the six holes onto the installation surface.
- Set aside door organizer.

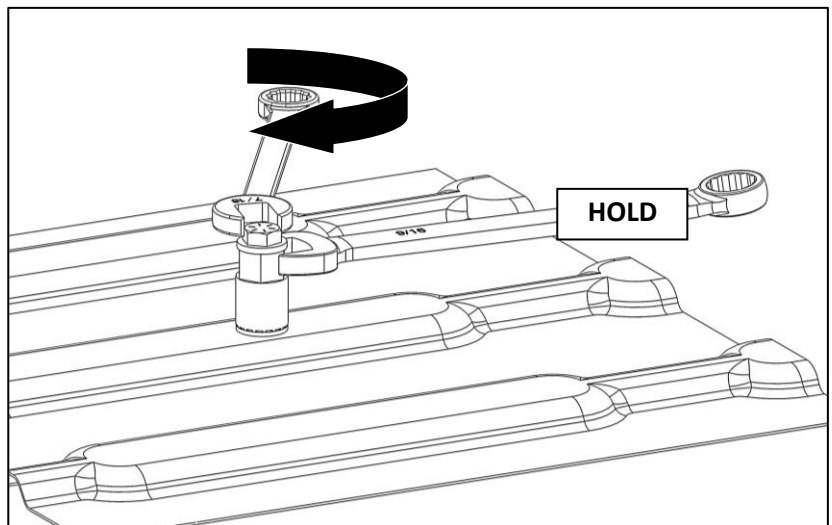
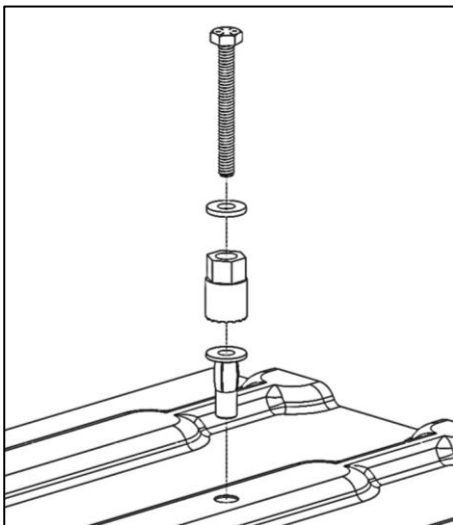


Step 2 – Install Plus Nuts



When installing hardware through any installation surface, always ensure the area behind the installation surface at each mounting point is clear of electrical wiring, fuel tank or lines, or any vehicle safety features.

- At each location marked, drill a hole using a 25/64" drill bit. A 3/8" drill bit can be used, although it may be necessary to tap in the plus nuts with a rubber mallet.
- Screw 1/4" x 2-1/4" hex head bolt through plus nut installation tool into plus nut. **Knurled end of plus nut tool must be directed away from bolt head and contacting plus nut.**
- Insert plus nut into hole.
- Using a 9/16" box wrench, hold the plus nut tool stationary and then tighten hex head bolt until plus nut is tightly gripping and does not spin when hex bolt is loosened. **DO NOT overtighten plus nut.**



Step 3 – Install Door Organizer

- Using six 1/4" x 1-1/4" hex head screws, six 1/4" lock washers, six 1/4" flat washers, install door organizer to the installed plus nuts.
- TIGHTEN all hardware.

**GO BACK AND ENSURE ALL
HARDWARE IS TIGHTENED.**

INSTALLATION IS COMPLETE.

