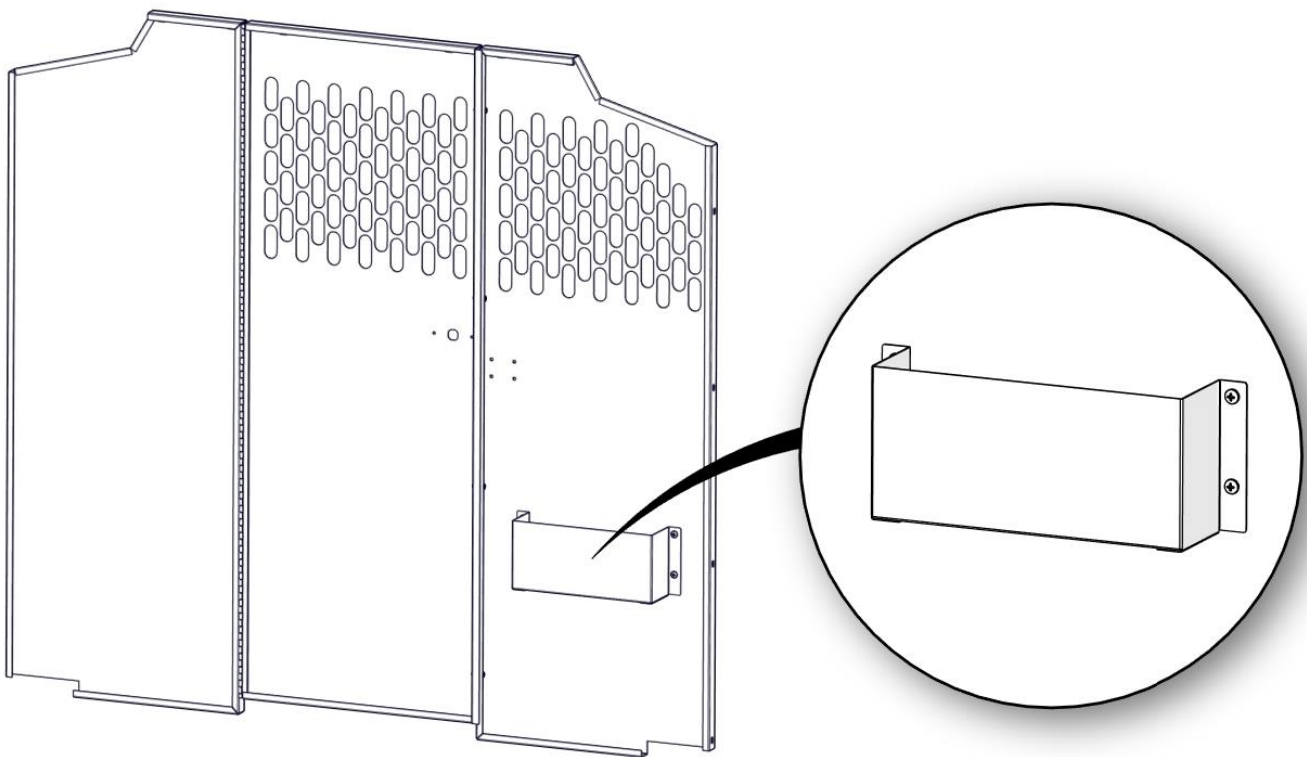

KARGO MASTER®

WE PUT EVERYTHING WITHIN REACH.

Installation Guide

40110



***PLEASE READ ALL INSTRUCTIONS AND WARNINGS PRIOR TO ASSEMBLING,
INSTALLING, AND USING THIS PRODUCT***

Warning



Always check for wires, fuel tanks and lines, brake lines and other important vehicle functionality items prior to drilling and installing all products.

Tools Needed

Phillips Driver	7/16" Wrench and Socket
1/4" Drill	

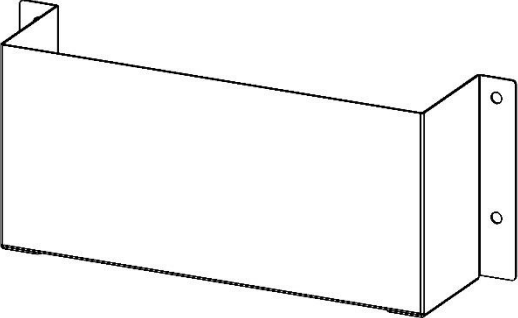
Table of Contents

Parts List 2
Hardware List 2
Step 1 Find Location 3
Step 2 Attach 3

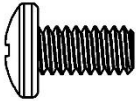
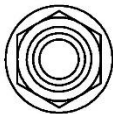
Before You Begin

- Read all instructions.
 - ENSURE SAFETY PRIOR TO DRILLING.
 - Product can be installed on virtually any sheet metal product. Make use of the first aid holder on shelves, partitions, lockers and much more.
-

Parts

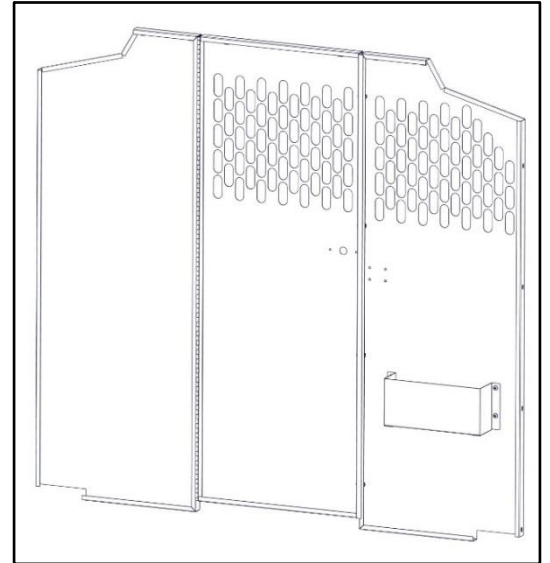
ITEM NO.		PART NUMBER	DESCRIPTION	QTY.
A		40110-00-001	First Aid Holder Part	1
		18-40110	First Aid Holder-Hardware	1

Hardware

ITEM NO.	TO SCALE	PART NUMBER	BOM	QTY.
1		90272A537	1/4"-20 x 1/2" Phillips Pan Head Screw	4
2		93298A110	1/4"-20 Flanged Nyloc	4

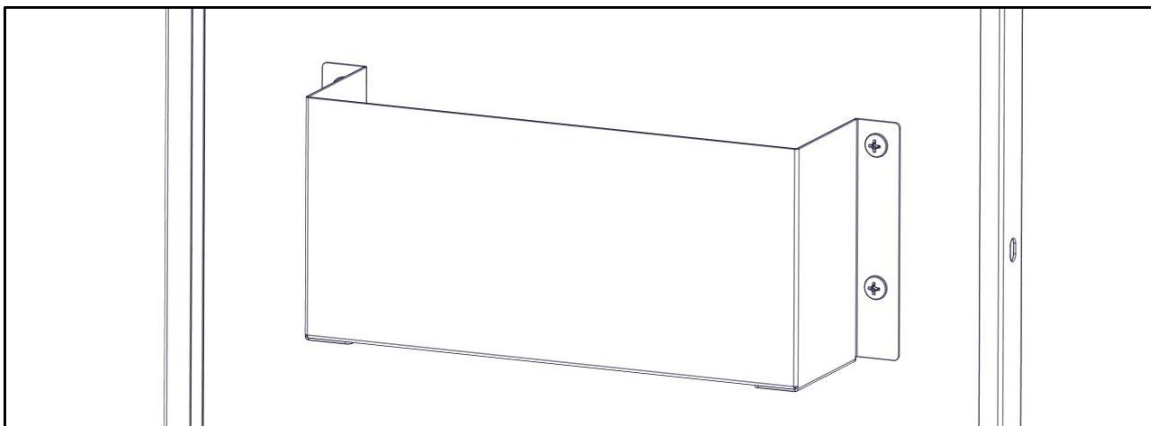
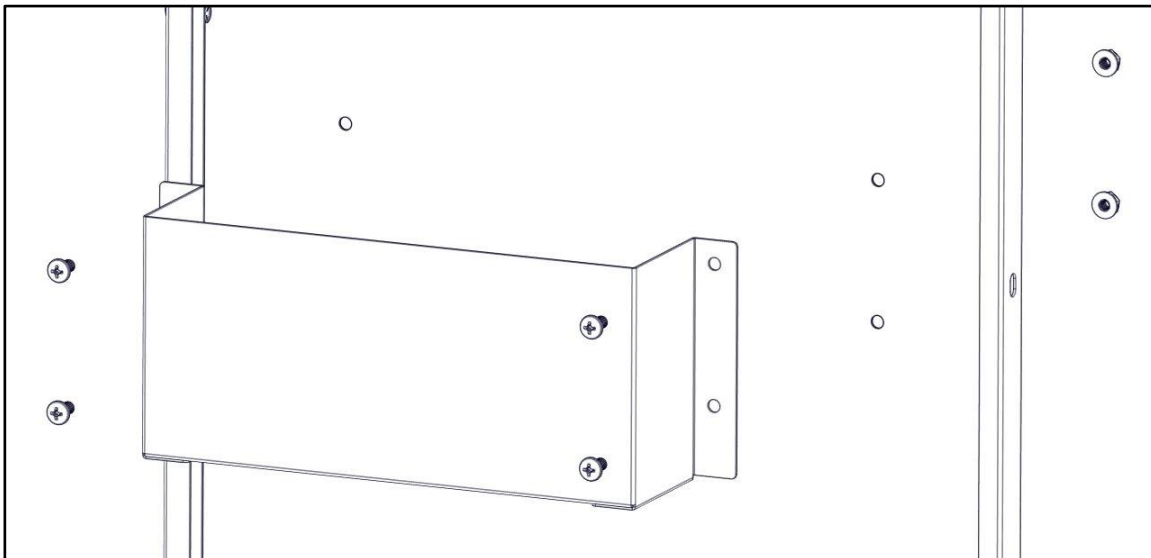
Step 1 – Find Location

- Find desired location for first aid holder to be installed.
- Place first aid holder (A) in desired location. Be sure first aid holder is square and to your liking.
- Mark hole locations and drill with 1/4" drill.



Step 2 – Attach

- Bolt together using four 1/4" x 1/2" round heads (1) and four 1/4 nylocs (2)



Ensure all bolts are tight. Your Installation is now complete.