

---

# **KARGO MASTER®**

**WE PUT EVERYTHING WITHIN REACH.**

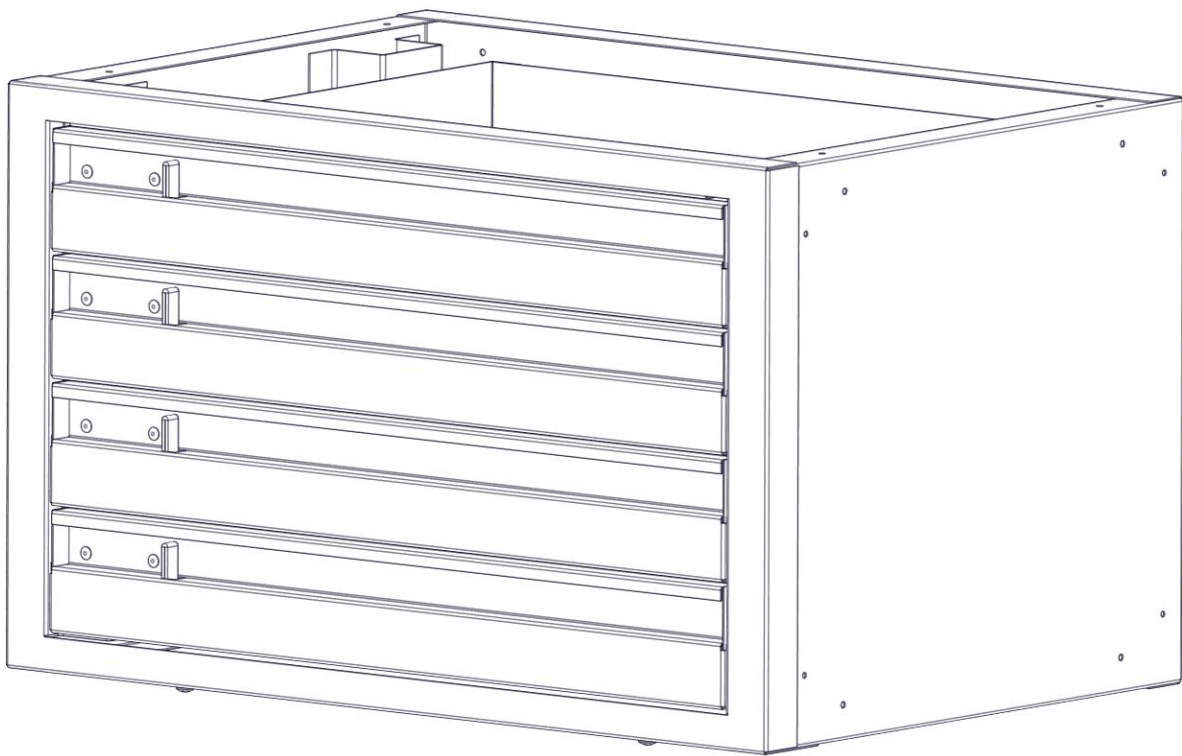
---

## Installation Instructions

---

40090

---



---

**\*PLEASE READ ALL INSTRUCTIONS AND WARNINGS PRIOR TO ASSEMBLING,  
INSTALLING, AND USING THIS PRODUCT\***

---

## Warning



Always check for wires, fuel tanks and lines, brake lines and other important vehicle functionality items prior to drilling and installing all products.

---

## Tools Needed

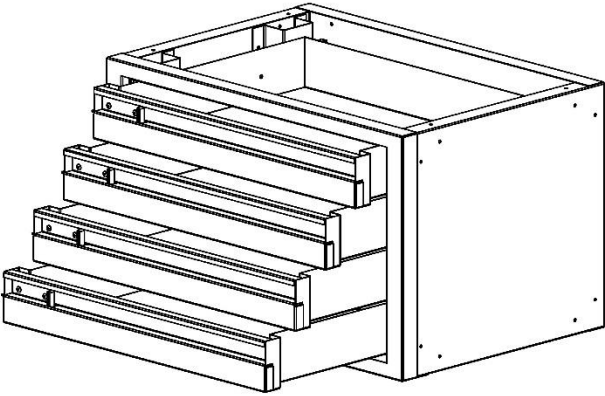
Phillips Driver	1/4" Drill (optional)
-----------------	-----------------------

---


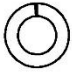
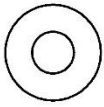
## **Before You Begin**

- Read all instructions.
- ENSURE SAFETY PRIOR TO DRILLING.
- Instructions are shown using a 2-drawer unit (40070). All instructions are the same for 40070, 40080 and 40090.

Parts

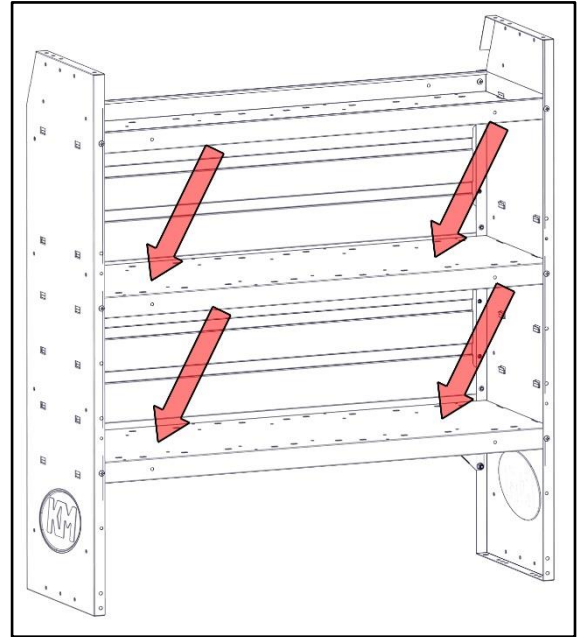
ITEM NO.		PART NUMBER	DESCRIPTION	QTY.
A		40090-10	4 DRAWER UNIT	1
		18-00735	DRAWER HARDWARE	1

Hardware

ITEM NO.	TO SCALE	PART NUMBER	DESCRIPTION	QTY.
1		90272A830	10-32 x 5/8" Pan Head Screw w/loctite	4
2		90126A514	No10 Flat Washer	4
3		91102A740	No10 Split Lock Washer	4

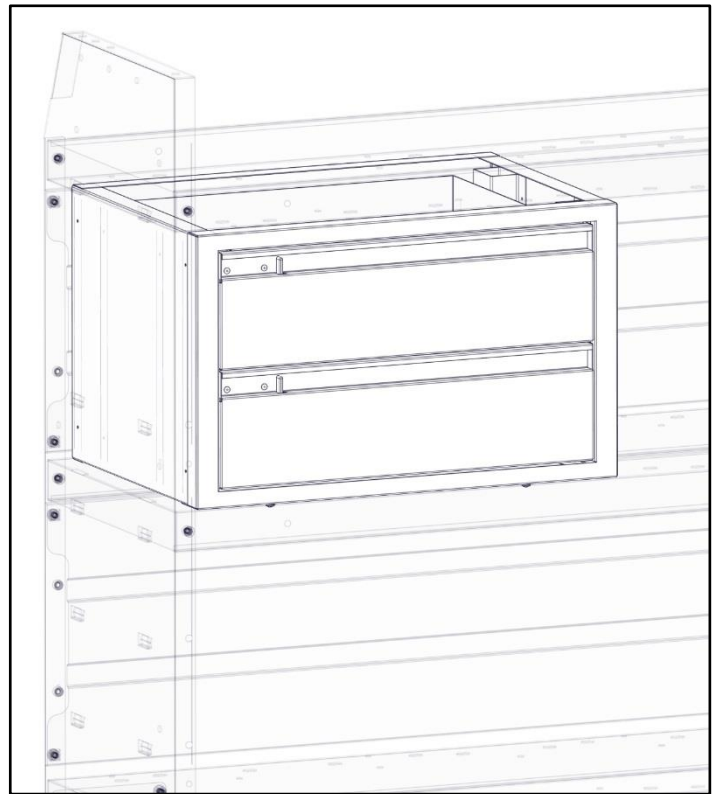
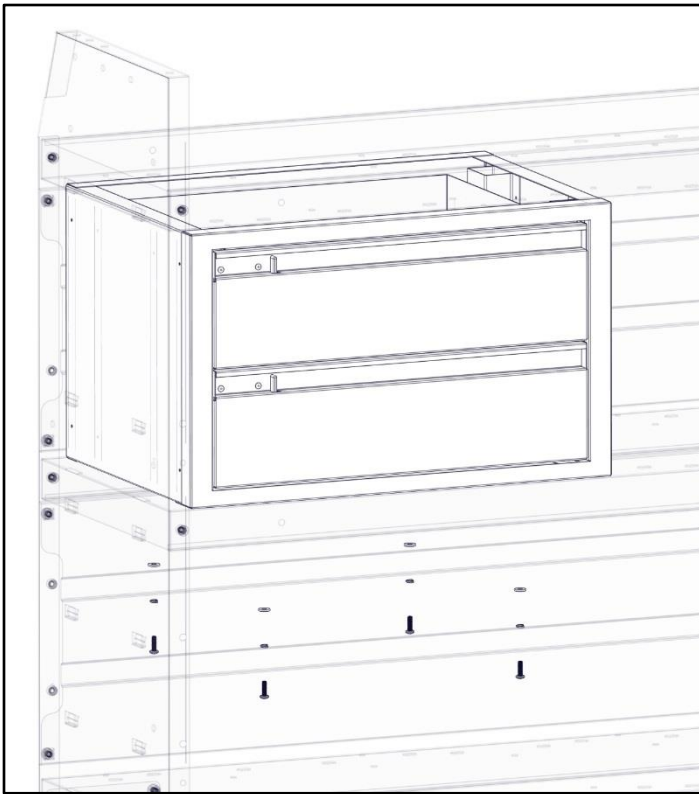
## Step 1 – Find Location

- Find desired location for drawer unit to be installed.
- Slots can be found along the shelf of most KargoMaster shelf units. One can make use of these.
- If desired, place drawer unit (A) in any desired location, mark holes and drill with 1/4" drill.



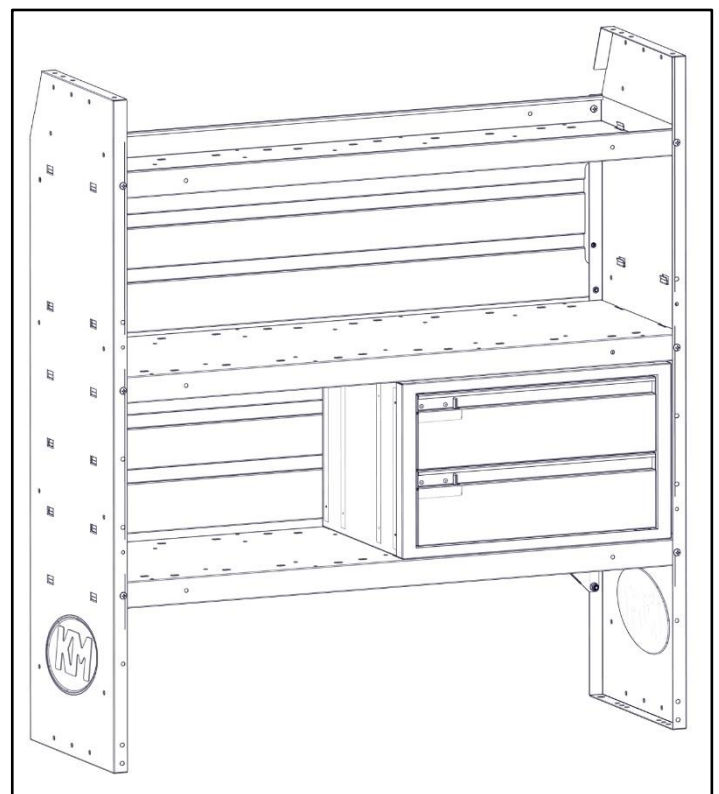
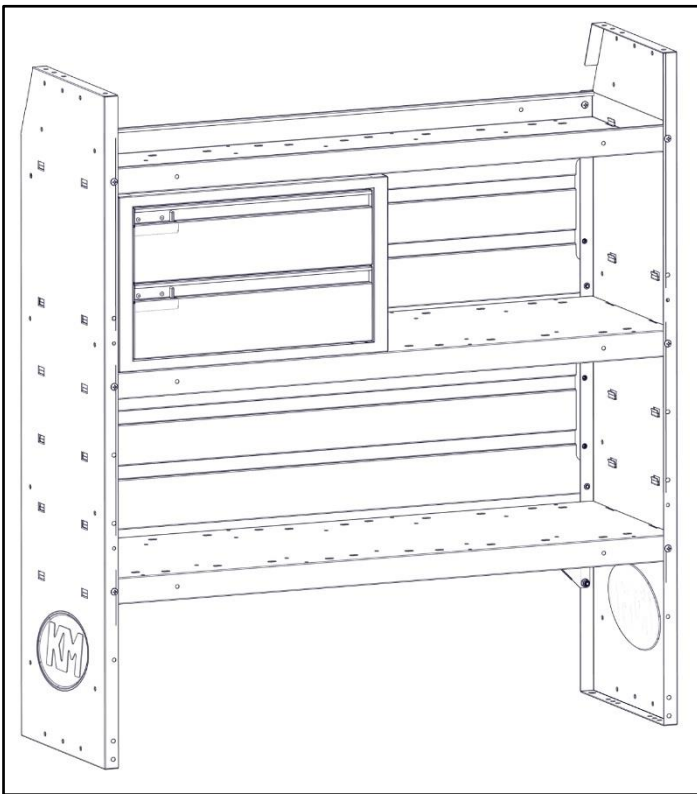
## Step 2 – Attach

- Bolt drawer unit to shelf using a No10 x 5/8" round heads (1), No10 split lock washers (2) and a No10 flat washers (3).



- Shown using 40070. Instructions will be the same.

Drawer units may be installed in a variety of different locations. Some examples are shown below.



Ensure all bolts are tight. Your Installation is now complete.