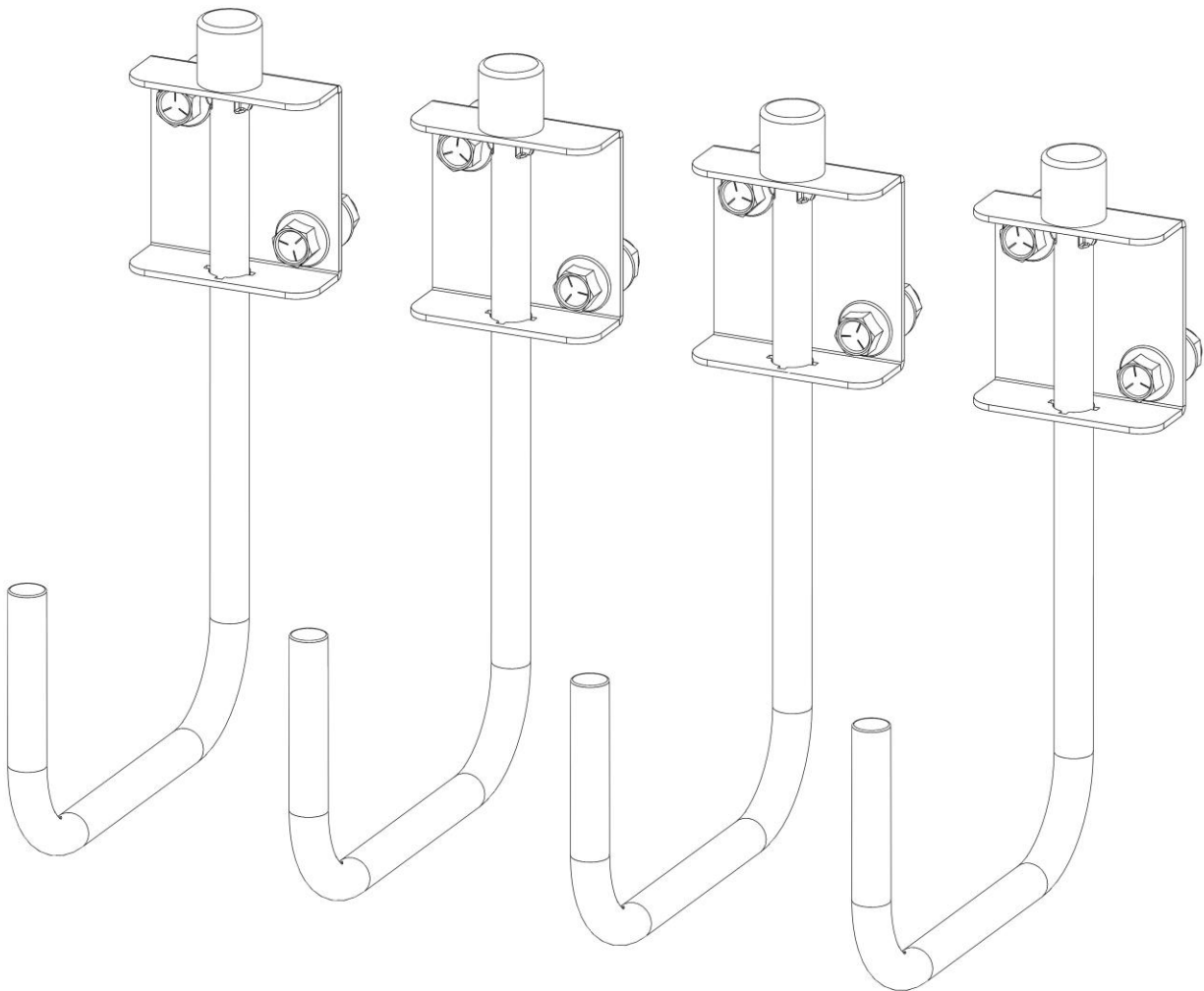


KARGO MASTER®

WE PUT EVERYTHING WITHIN REACH.

Instruction Guide

40053



PLEASE READ ALL INSTRUCTIONS AND WARNINGS PRIOR TO ASSEMBLING, INSTALLING, AND USING THIS PRODUCT.

Warning



Always check for wires, fuel tanks and lines, brake lines and other important vehicle functionality items prior to drilling and installing all products.

Tools Needed

| | |
|------------------------|------------------|
| 3/8" Socket and Wrench | 17/64" Drill Bit |
| Drill | |

Table of Contents

- Before You Begin
- Parts List
- Hardware
- Installation

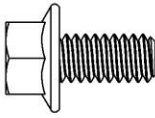

Before You Begin

- Read all instructions prior to installing any Kargo Master product.

Parts List


| ITEM NO. | ITEM | PART NUMBER | DESCRIPTION | QTY |
|----------|------|-------------|---------------------|-----|
| 1 | | 100717 | LOCKING SWIVEL HOOK | 4 |
| 2 | | 18-40053 | 40053 HARDWARE KIT | 1 |

Hardware

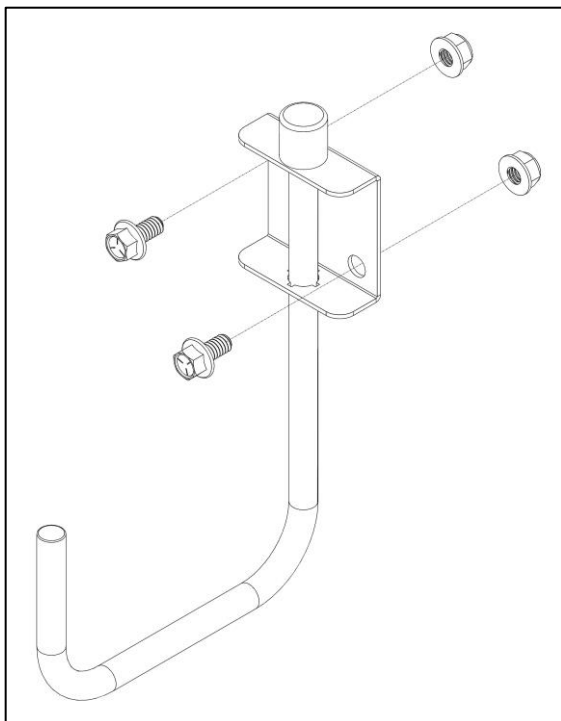
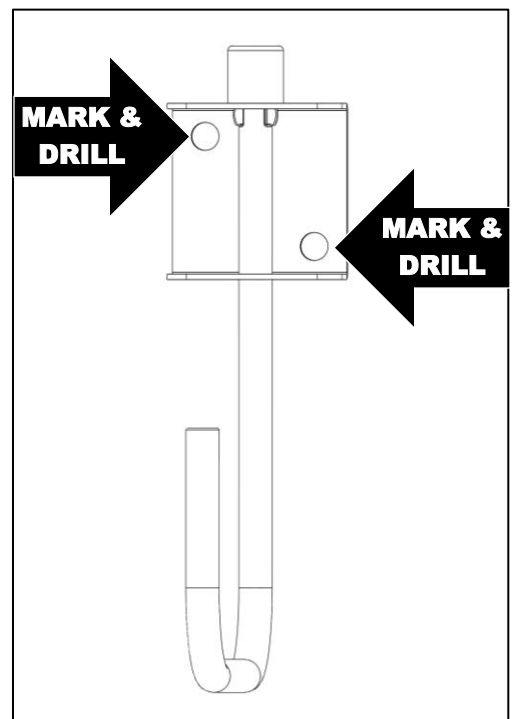
| ITEM | HARDWARE TO SCALE | PART NUMBER | DESCRIPTION | QTY. |
|------|--|-------------|---------------------------------------|------|
| 1 |  | 11126952 | 1/4"-20 X 1/2" FLANGED HEX HEAD | 8 |
| 2 |  | 0167030 | 1/4"-20 FLANGED LOCK NUT | 8 |

Installation

- Determine swivel hook installation location.
- Mark through the holes in hook base plate onto mounting surface.

 **Always check that each installation location is clear of wires, fuel tanks and lines, brake lines and other important vehicle functionality items prior to drilling and installing any product.**

- At each marked location, drill a hole using 17/64" drill bit.
- Using two 1/4" x 1/2" flanged hex head bolts and two 1/4" flanged lock nuts, securely install locking swivel hook.
- Repeat installation instructions for each hook.



**GO BACK AND ENSURE ALL
HARDWARE IS TIGHTENED.**

INSTALLATION IS COMPLETE.