

---

# KARGO MASTER®

**WE PUT EVERYTHING WITHIN REACH.**

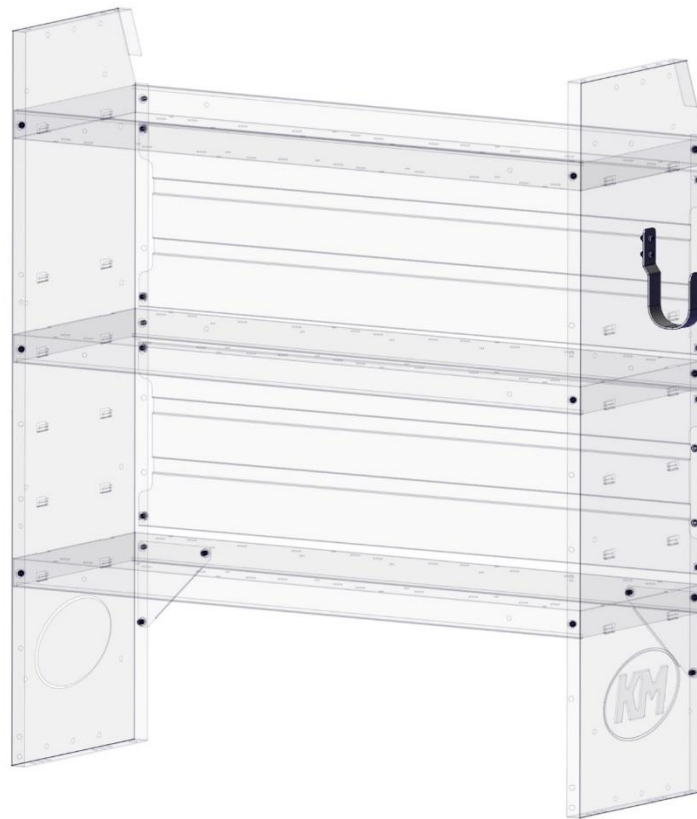
---

## Installation Guide

---

40050

---



---

**\*PLEASE READ ALL INSTRUCTIONS AND WARNINGS PRIOR TO ASSEMBLING,  
INSTALLING, AND USING THIS PRODUCT\***

---

**Warning**



Always check for wires, fuel tanks and lines, brake lines and other important vehicle functionality items prior to drilling and installing all products.

---

**Tools Needed**

Phillips Driver	7/16" Wrench and Socket
1/4" Drill	

---

**Table of Contents**

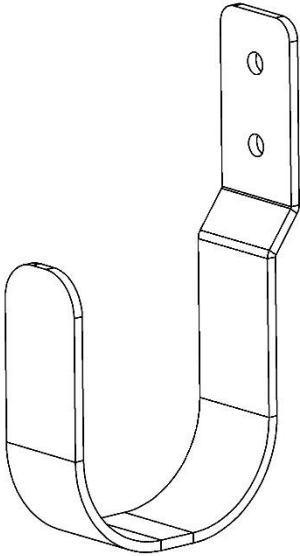
Parts List ..... 2  
Hardware List ..... 2  
Step 1 Find Location ..... 3  
Step 2 Attach ..... 3

---

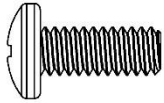

**Before You Begin**

- Read all instructions.
- ENSURE SAFETY PRIOR TO DRILLING.
- Product can be installed on virtually any sheet metal product. Make use of the single hook on shelves, partitions, lockers and much more.

Parts

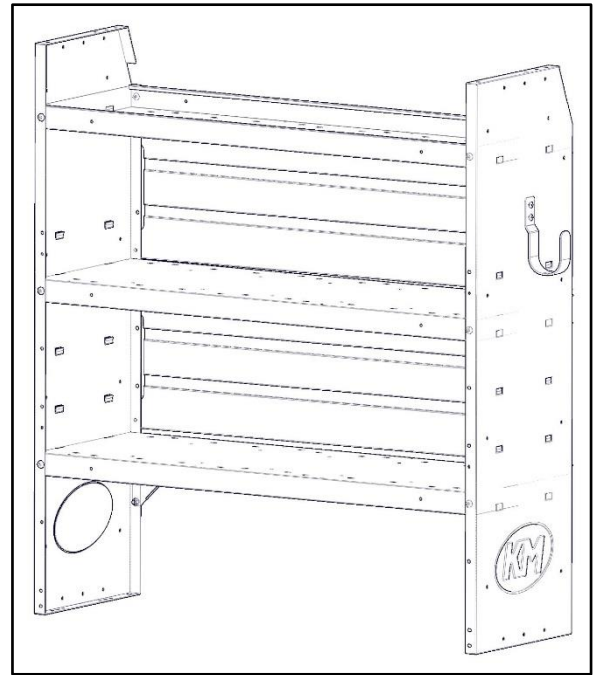
ITEM NO.		PART NUMBER	DESCRIPTION	QTY.
A		KM9058-101	Single Hook	1

Hardware

ITEM NO.	TO SCALE	DESCRIPTION	PART NUMBER	QTY.
1		.25-20 x .625 Round Head	90272A539	2
2		.25-20 Nyloc	95615A120	2

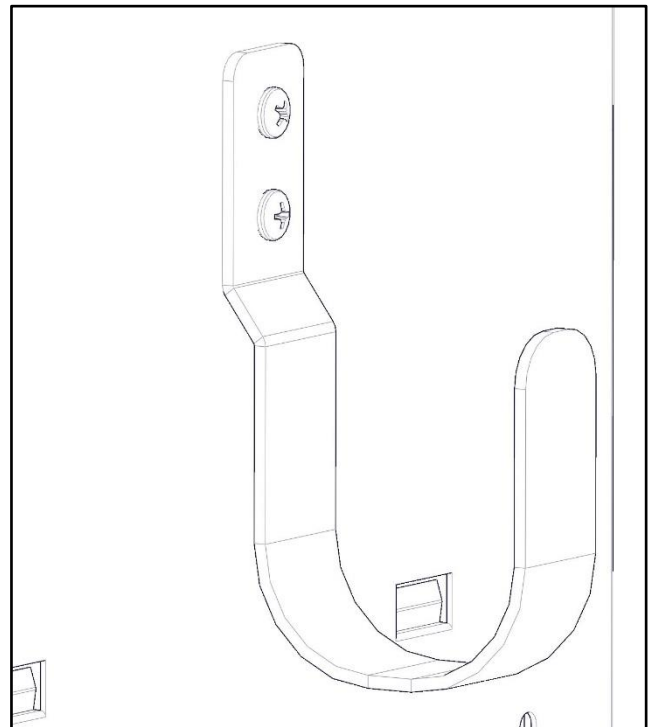
## Step 1 – Find Location

- Find desired location for single hook to be installed.
- On the side of most KargoMaster shelf units, holes can be found, any one of these holes can be used, mark and drill a second hole. Two holes may be drilled in any desired location.
- Place single hook (A) in desired location, mark hole locations and drill with 1/4" drill.



## Step 2 – Attach

- Bolt together using a 1/4" x 5/8" round head (1) on the single hook (A) side and a 1/4" nyloc nut (2) on the side of what ever the hook is mounted to.



Ensure all bolts are tight. Your Installation is now complete.

[View other commercial van equipment made by Kargo Master on our website.](#)