

---

# KARGO MASTER®

**WE PUT EVERYTHING WITHIN REACH.**

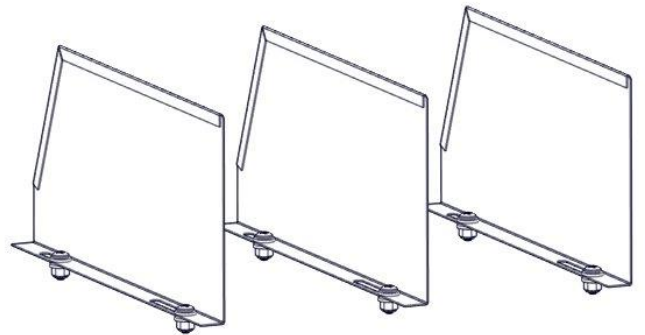
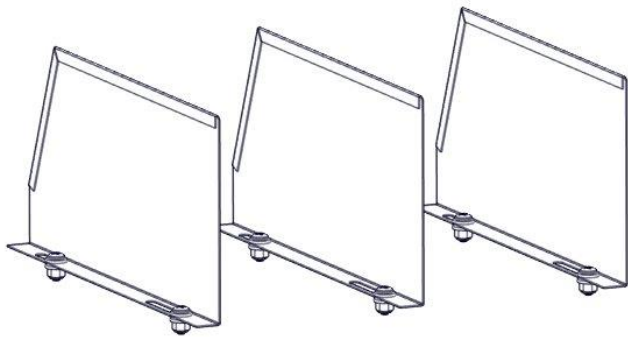
---

## Installation Instructions

---

40030

---



---

**\*PLEASE READ ALL INSTRUCTIONS AND WARNINGS PRIOR TO ASSEMBLING,  
INSTALLING, AND USING THIS PRODUCT\***

---

## Warning



Always check for wires, fuel tanks and lines, brake lines and other important vehicle functionality items prior to drilling and installing all products.

---

## Tools Needed

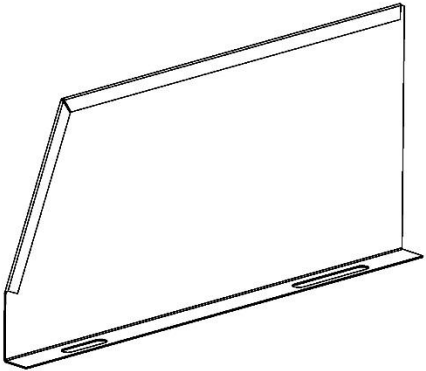
Phillips Driver	7/16" Wrench and Socket
1/4" Drill	

---

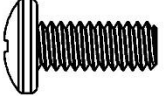
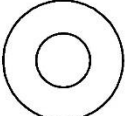

## **Before You Begin**

- Read all instructions.
- ENSURE SAFETY PRIOR TO DRILLING.

Parts

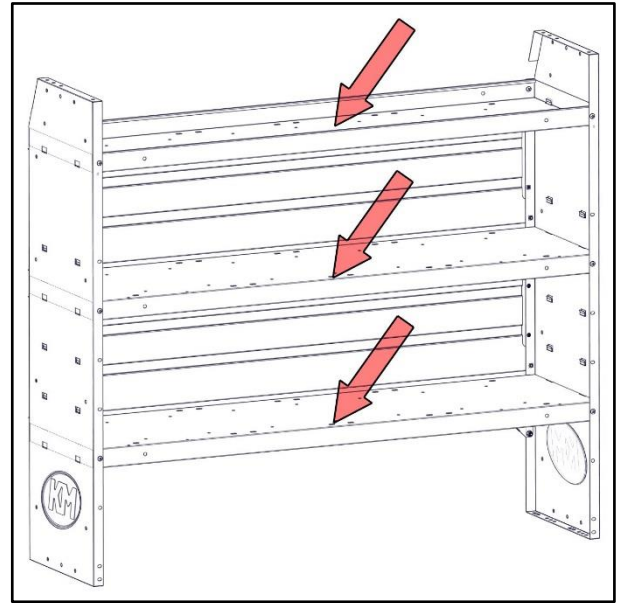
ITEM NO.		PART NUMBER	DESCRIPTION	QTY.
A		40030-00-001	Shelf Divider	6
		18-40030	Shelf Divider-Hardware	1

Hardware

ITEM NO.	TO SCALE	PART NUMBER	DESCRIPTION	QTY.
1		90272A539	1/4"-20 x 5/8" Phillips Pan Head	12
2		90126A029	1/4" Flat Washer	24
3		95615A120	1/4"-20 Nyloc	12

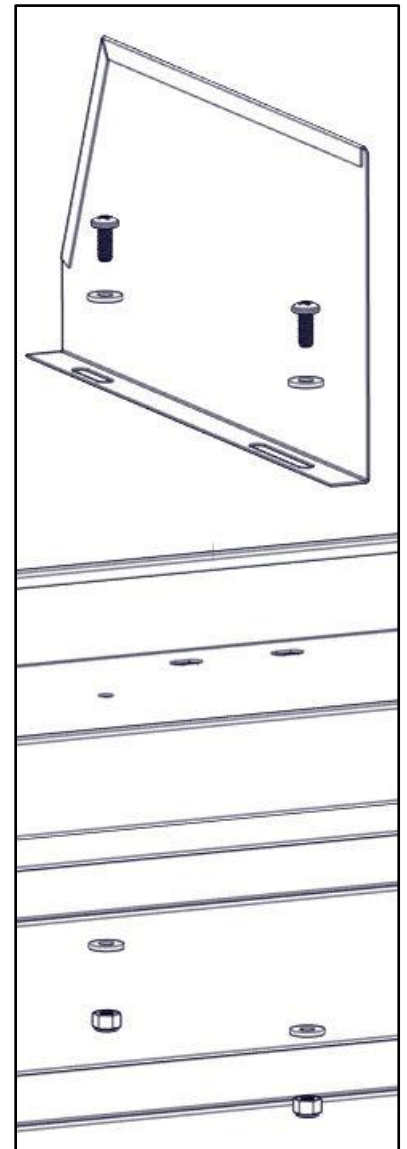
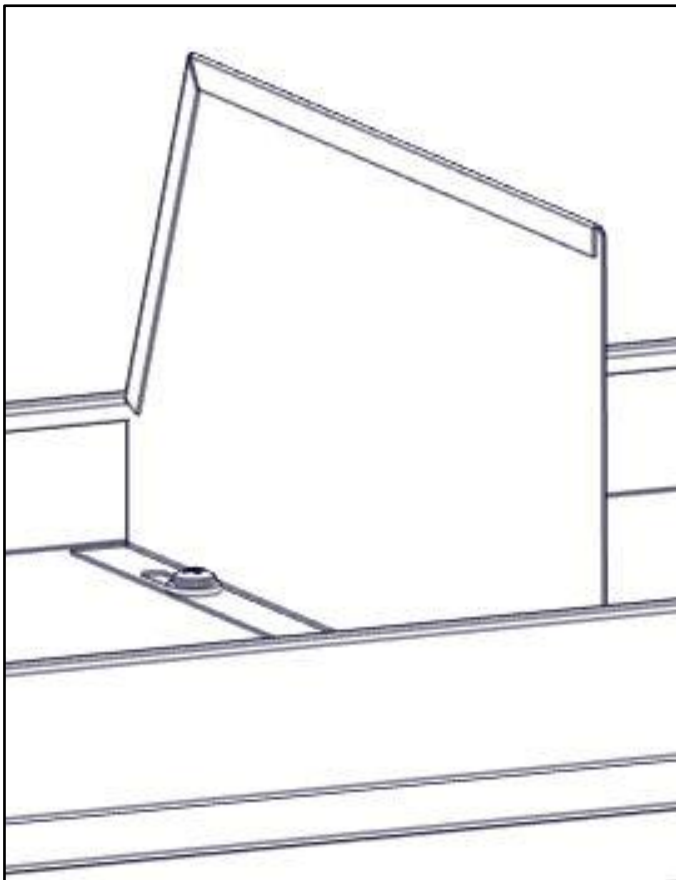
## Step 1 – Find Location

- Find desired location for shelf divider to be installed.
- Holes can be found along the shelf of most KargoMaster shelf units. One can make use of these.
- Two holes may be drilled in any desired location.
- If desired, place shelf divider (A) in any desired location, mark hole locations and drill with 1/4" drill.

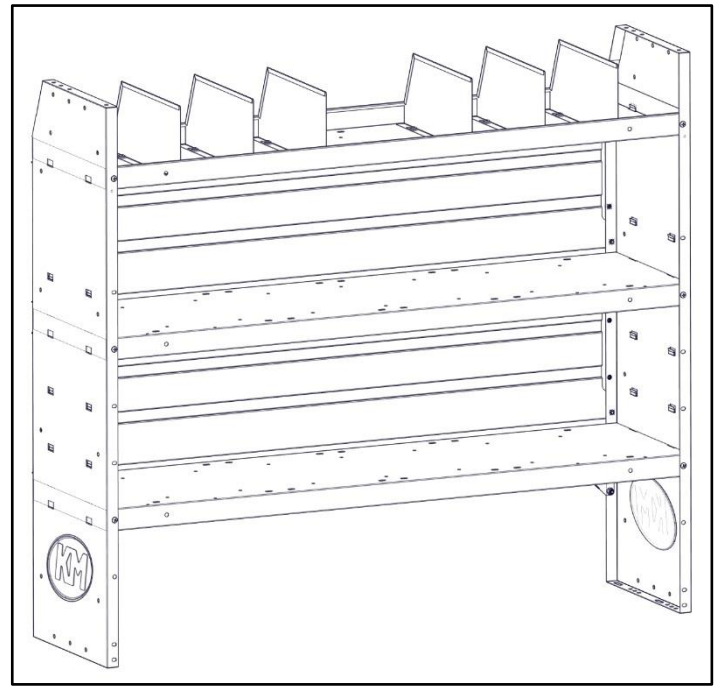
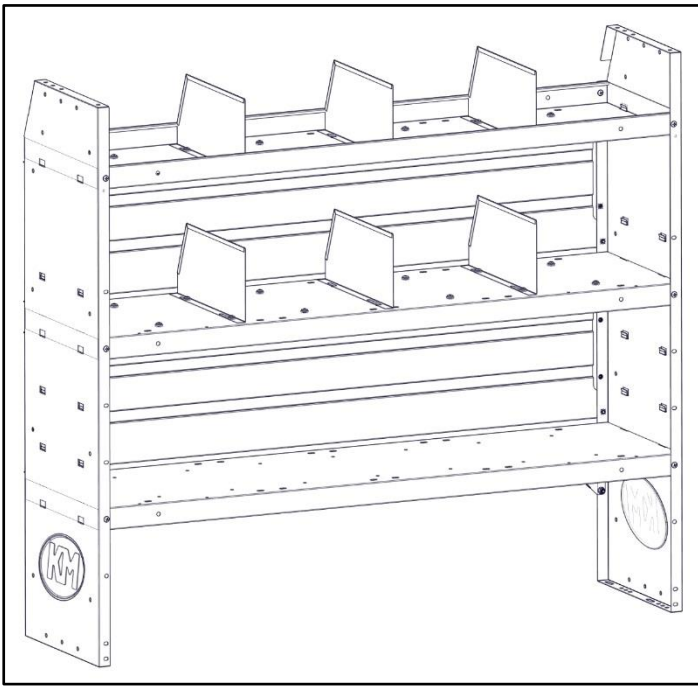


## Step 2 – Attach

- Bolt divider to shelf using a 1/4" x 5/8" round head (1), two 5/16" flat washers (2) and a 1/4 nyloc (3). Be sure to have the angle cut towards the rear of the shelf as shown.



Shelf dividers may be position in any orientation as desired.  
Some examples are shown below.



Ensure all bolts are tight. Your Installation is now complete.