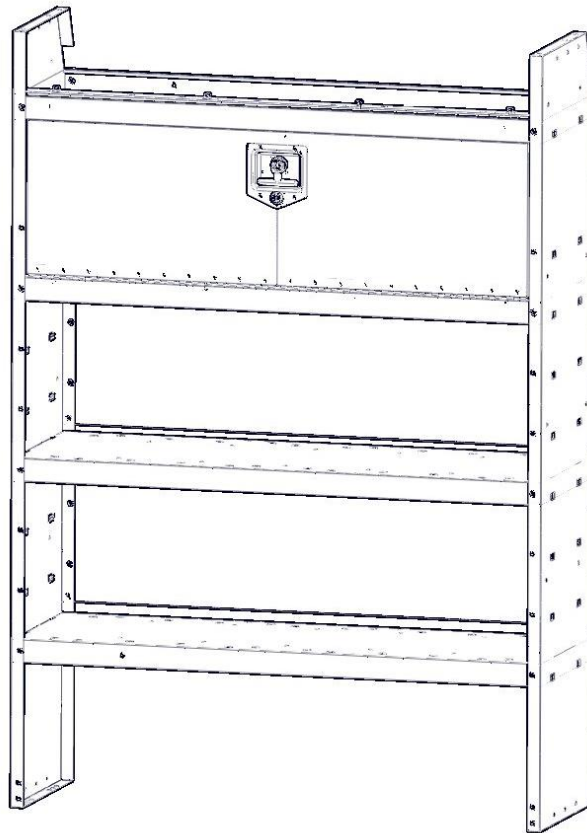

KARGO MASTER®

WE PUT EVERYTHING WITHIN REACH.

Installation Instructions

40010



***PLEASE READ ALL INSTRUCTIONS AND WARNINGS PRIOR TO ASSEMBLING,
INSTALLING, AND USING THIS PRODUCT***

Warning



Always check for wires, fuel tanks and lines, brake lines and other important vehicle functionality items prior to drilling and installing all products.

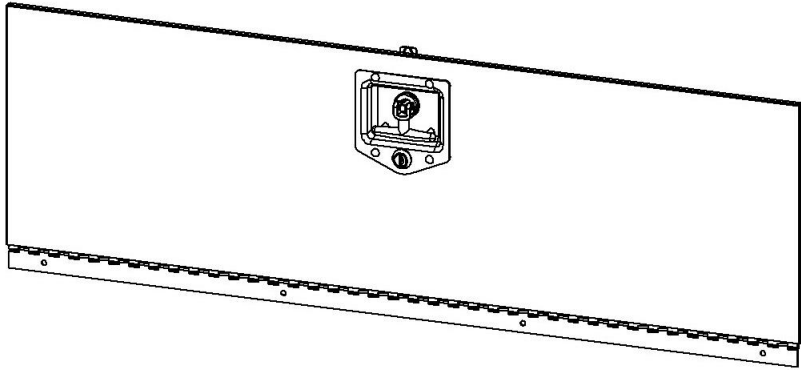
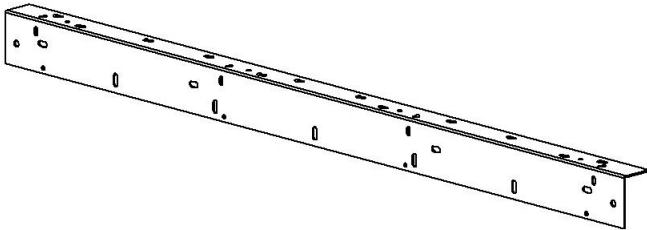
Tools Needed

- | | |
|--------------------------|-------------------------|
| • 7/16 Wrench and Socket | • Phillips style driver |
|--------------------------|-------------------------|
-

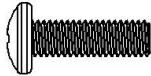
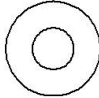
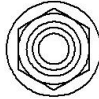

Before You Begin

- Be sure to have 42" shelf assembled.

Parts

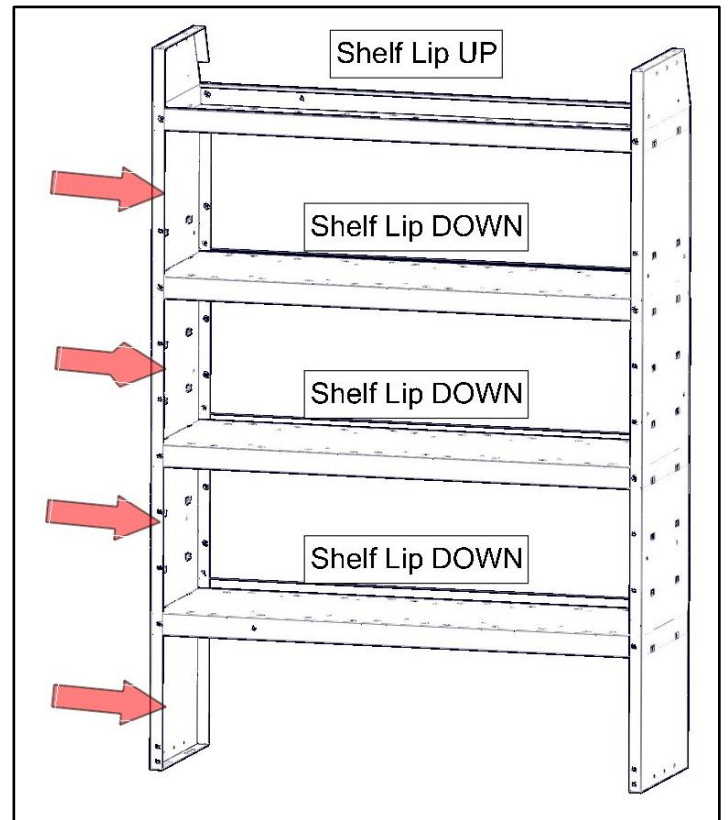
ITEM NO.	40010 PARTS	DESCRIPTION	QTY.
A		Door Panel ASM	1
B		Locking Door Stop	1

Hardware

ITEM NO.	Hardware To Scale	DESCRIPTION	QTY.
1		10-32 x .625 PH Phillips Drive	8
2		10 Flat Washer	8
3		10-32 Flanged Nyloc Nut	8
4		.156 x .375 bumper	4

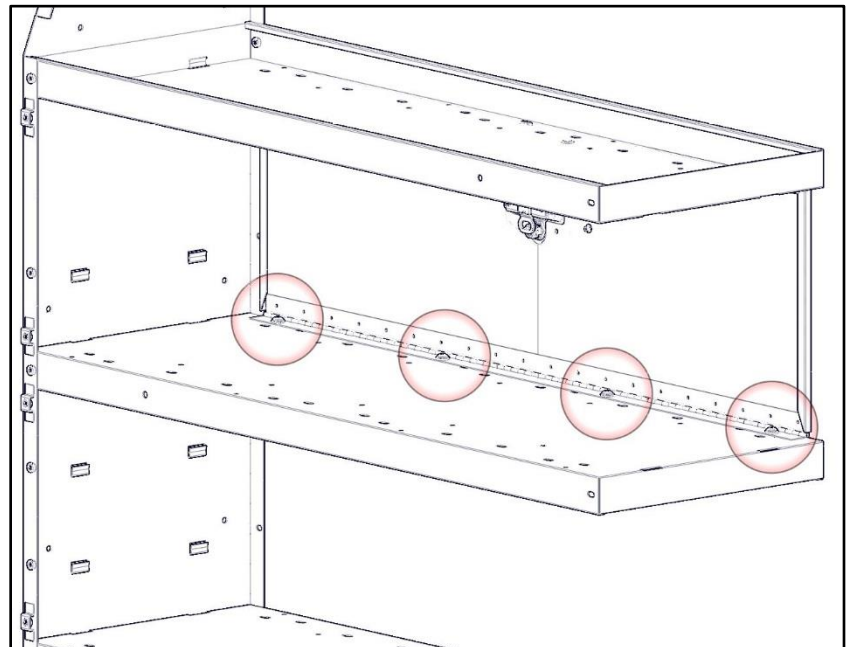
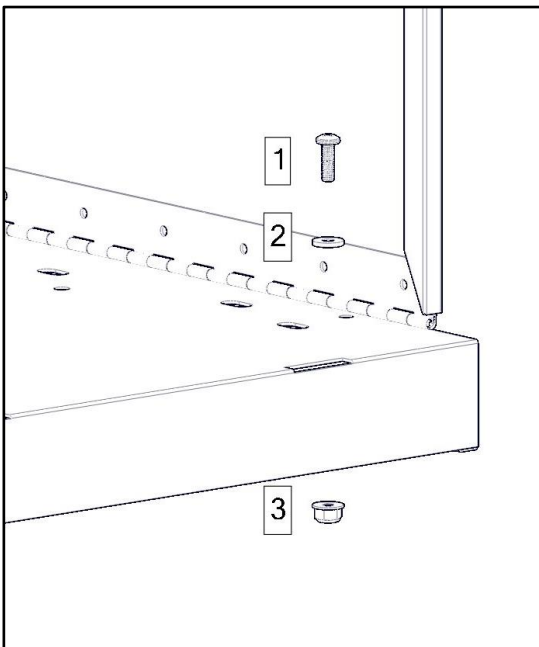
Step 1 – Determine location of door kit

- Decide where you want the door kit to be installed. Be sure there is the correct spacing between shelves. The bottom shelf of the desired opening must have the shelf lip facing downward.
- Bottom position can only be used on 42" shelf. Additional part must be purchased (48220).
- Standard shelf placing and orientation shown.



Step 2 – Bolt door kit

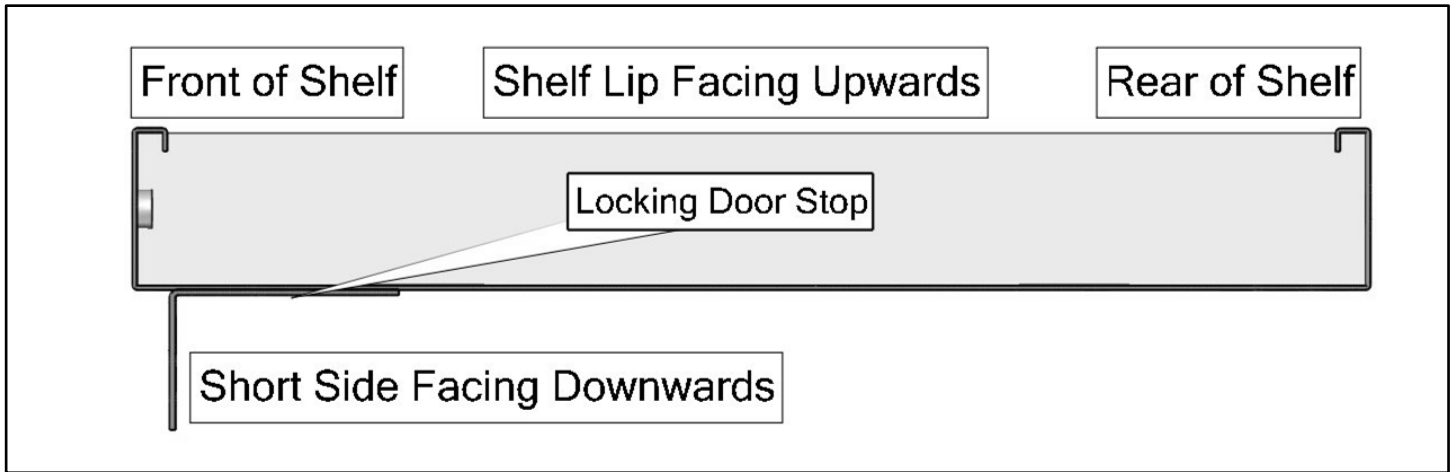
- Bolt door kit to flat space on shelf using a #10 x 5/8" machine screw (1), two #10 flat washers (2) and a #10 Flanged Nyloc Nut (3).
- Repeat 3 more times along shelf and door kit assembly.
- Be sure when the door kit is folded up, it sits flush with the outside of the shelf.
- Snug tighten. Allow movement.



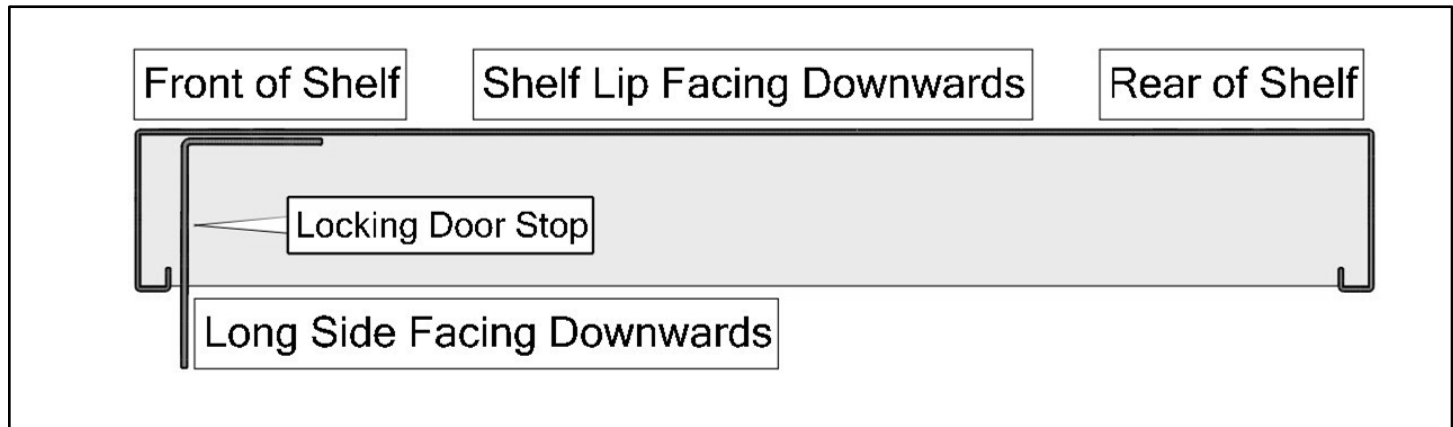
Step 3 – Determine upper shelf orientation

- Locate the shelf that is directly above the shelf used in the previous step.
- Determine if it is an upward or downward facing shelf lip.

Facing Upwards

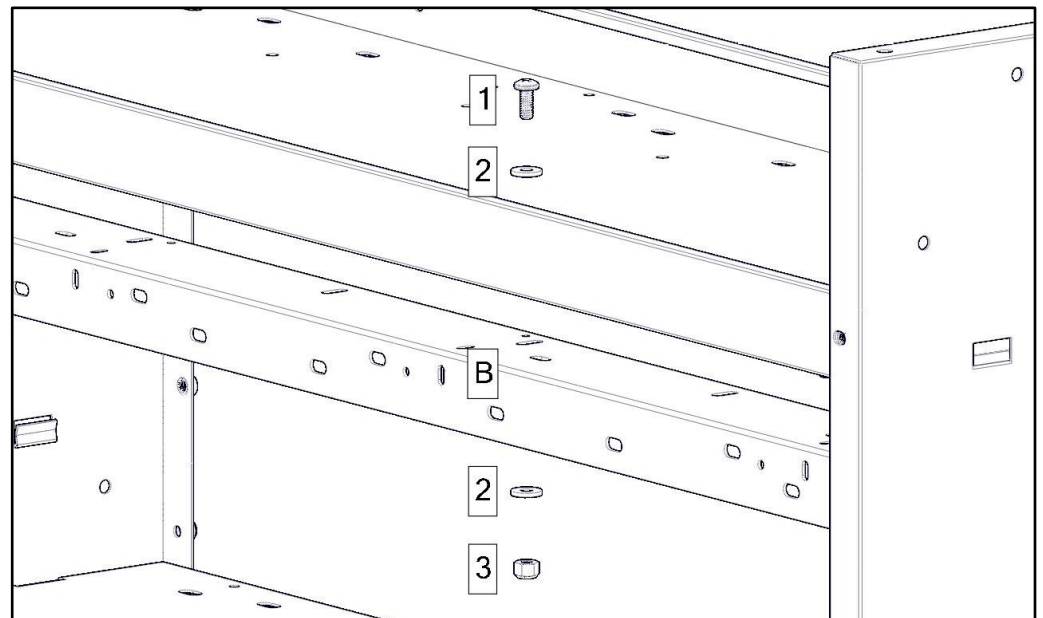


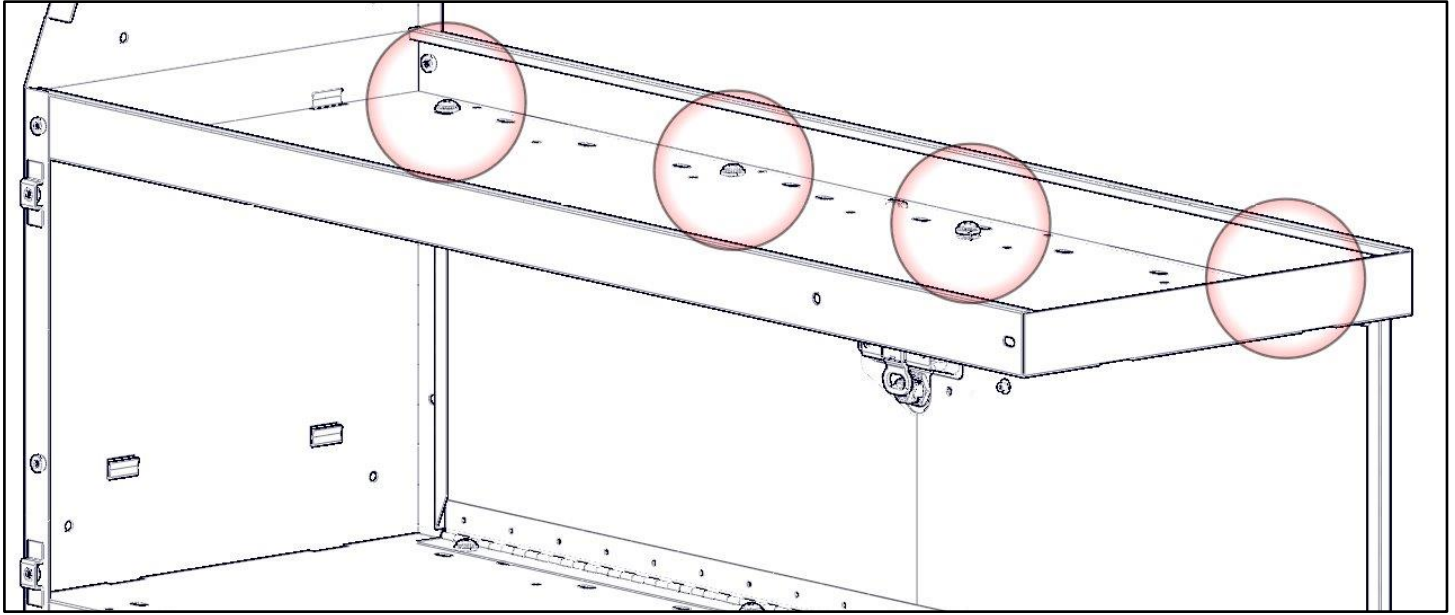
Facing Downwards



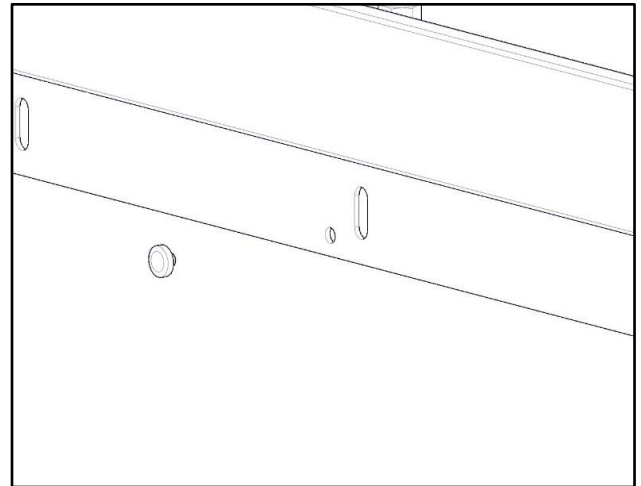
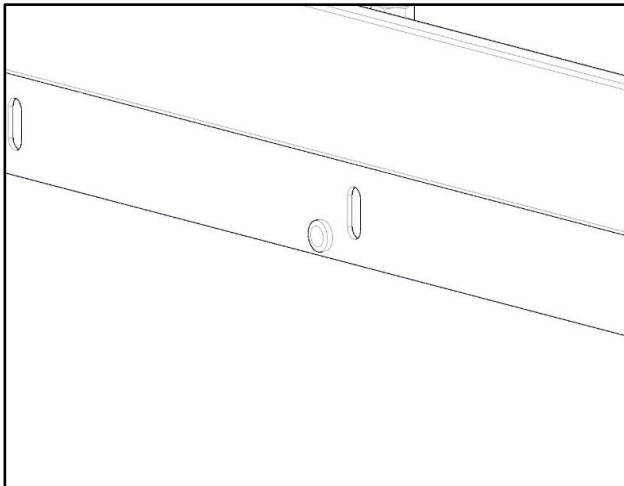
3A

- Bolt shelf lip using using a #10 x 5/8" machine screw (1), two #10 flat washers (2) and a #10 Flanged Nyloc Nut (3).

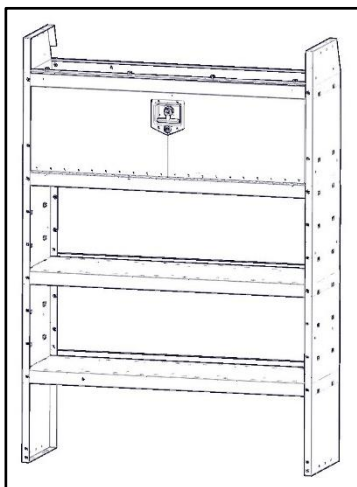




- Repeat 3 more times along shelf and locking door stop.



- Insert rubber bumpers where they will encounter the door.



TIGHTEN all previous bolts.
Your installation is now complete.

