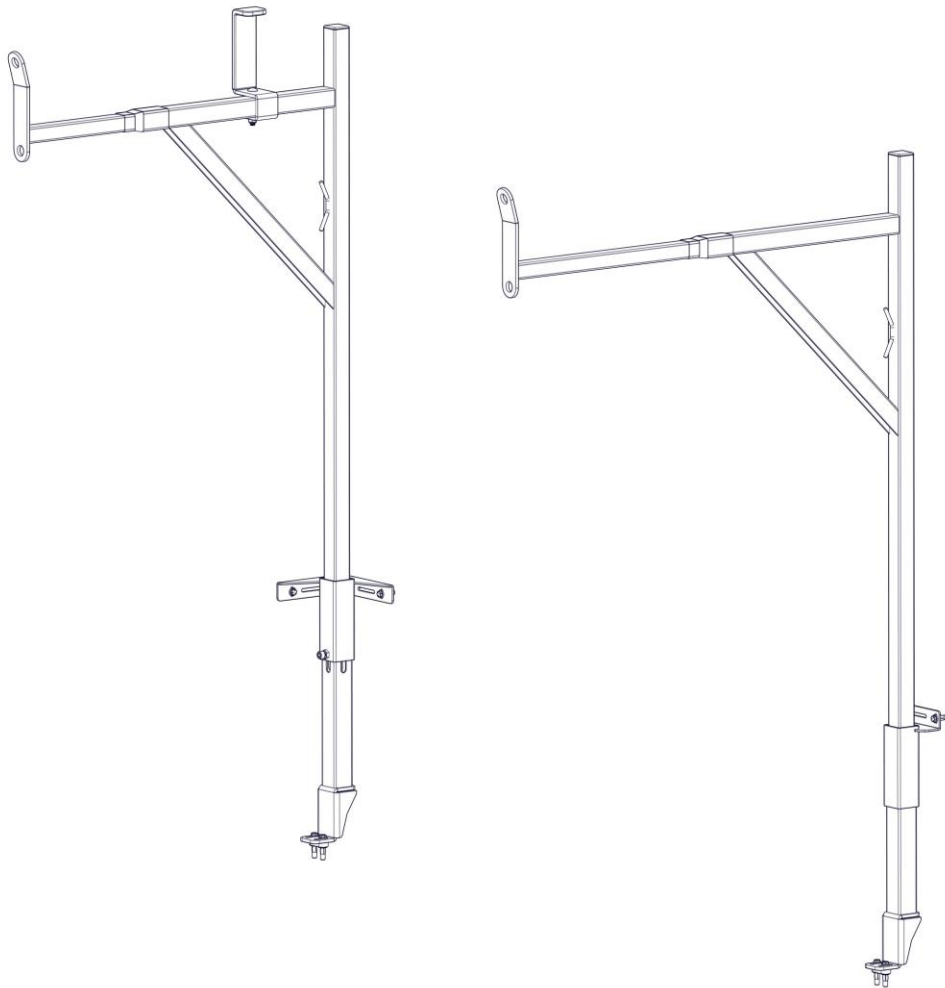


KARGO MASTER®

WE PUT EVERYTHING WITHIN REACH.

Installation Guide

30091



PLEASE READ ALL INSTRUCTIONS AND WARNINGS PRIOR TO ASSEMBLING, INSTALLING, AND USING THIS PRODUCT

Warning



Always check for wires, fuel tanks and lines, brake lines and other important vehicle functionality items prior to drilling and installing all products.

Tools Needed

3/8" Wrench and Socket	25/64" Drill
9/16" Wrench and Socket	7/16" Wrench and Socket

Table of Contents

Parts List..... 2

Hardware 3

Step 1 – Find Front Mounting Locations 4

Step 2 – Find Rear Mounting Locations 5

Step 3 – Attach Lower Legs 6

Step 4 – Install Upright Frame..... 7

Step 5 – Install Upright Frame..... 8

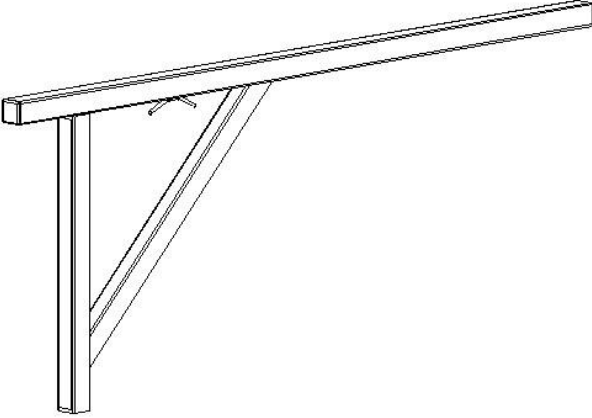
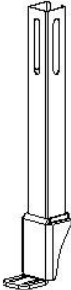
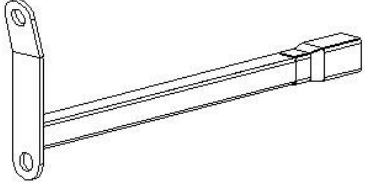
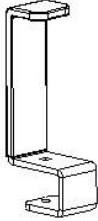
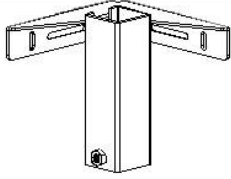
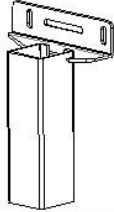
Step 6 – Install Strut Bracket 9

Step 7 – Mount Stop Bracket 10

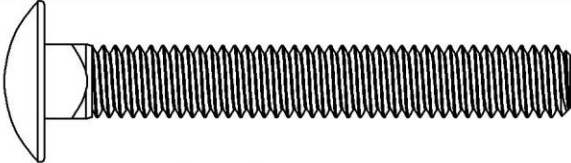
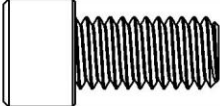
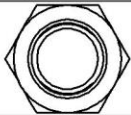
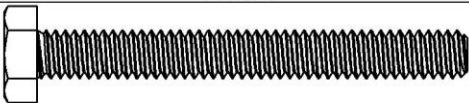
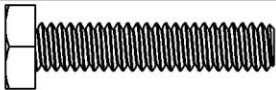
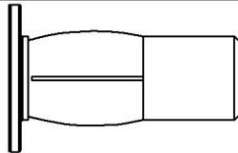
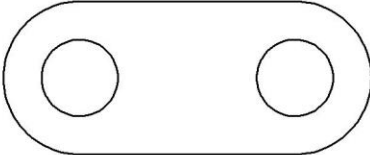
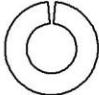
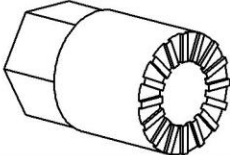

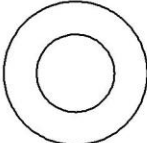
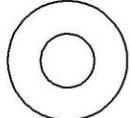
Before You Begin

- Read all instructions.
- DO NOT EXCEED WEIGHT CAPACITY of 150lbs.
- ENSURE SAFETY WHEN DRILLING INTO VEHICLE
- Instructions are shown using a GM truck bed. Mounting locations will vary in different applications.

Parts List

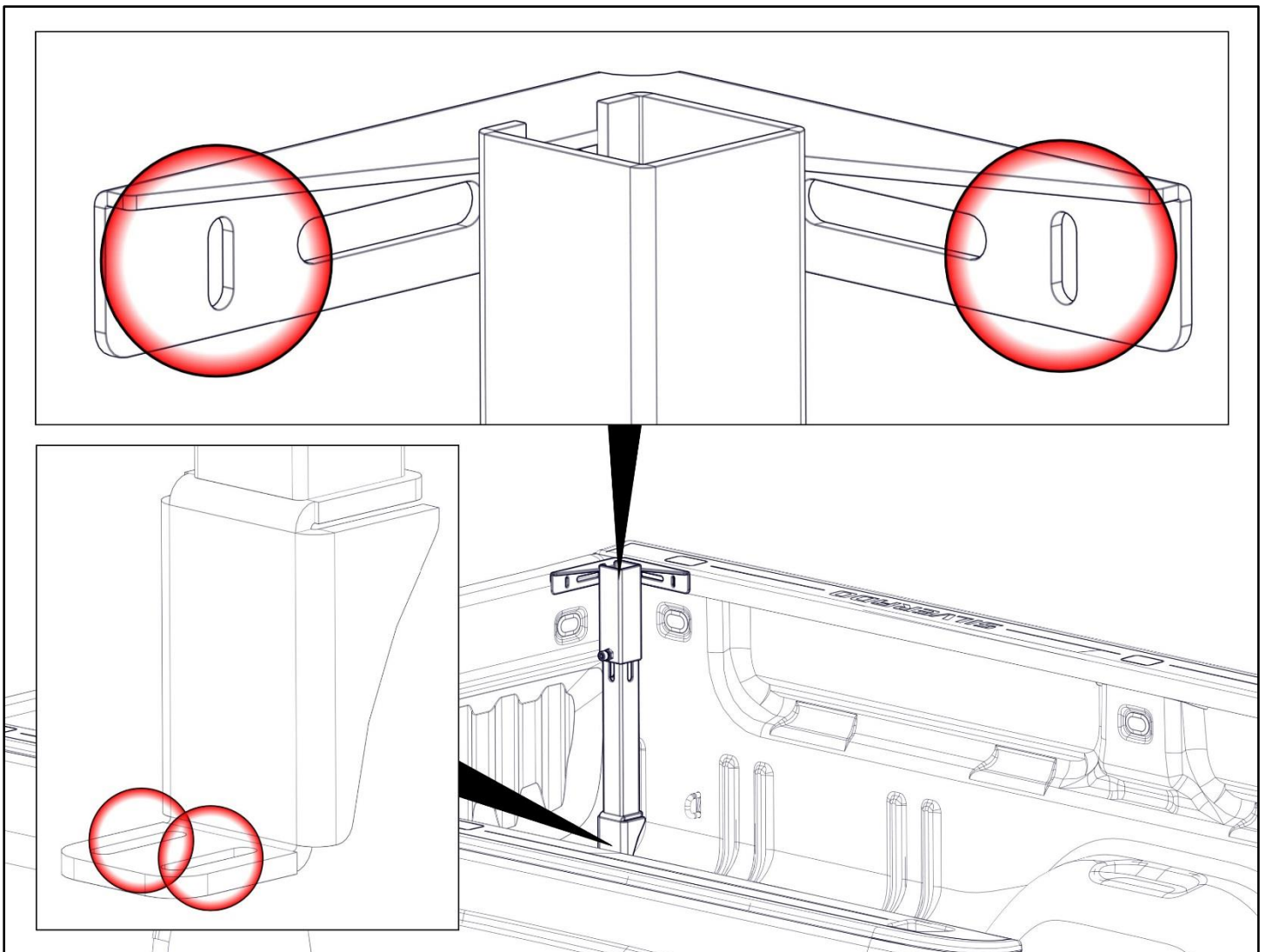
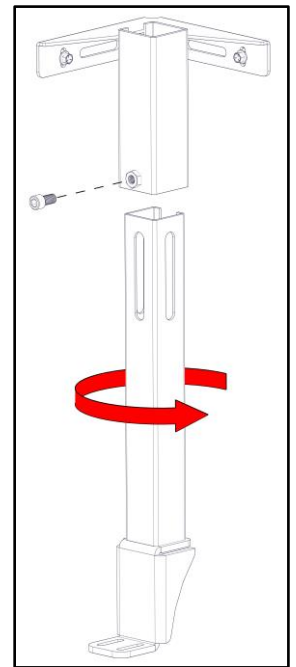
ITEM NO.		PART NO.	DESCRIPTION	QTY.
A		100582	Upright Frame	2
B		100583	Lower Leg	2
C		100584	Strut Bracket	2
D		100586	Stop Bracket	1
E		100588	Front Corner Bracket	1
F		100592	Rear Bracket	1
		18-30091	Hardware	1

Hardware

ITEM	HARDWARE TO SCALE	PART NO.	DESCRIPTION	QTY.
1		21868	3/8"-16 X 2-3/4" CARRIAGE BOLT	1
2		11588032	3/8"-16 X 3/4" SOCKET HEAD BOLT	4
3		0169791	3/8"-16 LOCK NUT	1
4		91257A551	1/4"-20 X 2-1/4" HEX HEAD	1
5		92865A544	1/4"-20 x 1-1/2" HEX HEAD	10
6		11120386	1/4"-20 PLUS NUT	10
7		100587	BED SPACER	2
8		91101A229	1/4"-20 LOCKING WASHER	10
9			1/4" PLUSNUT INSTALLATION TOOL	1
10			7/32" ALLEN SCALE 1:2	1
11		11541089	3/8" FLAT WASHER	1
12		11541082	1/4" FLAT WASHER	11

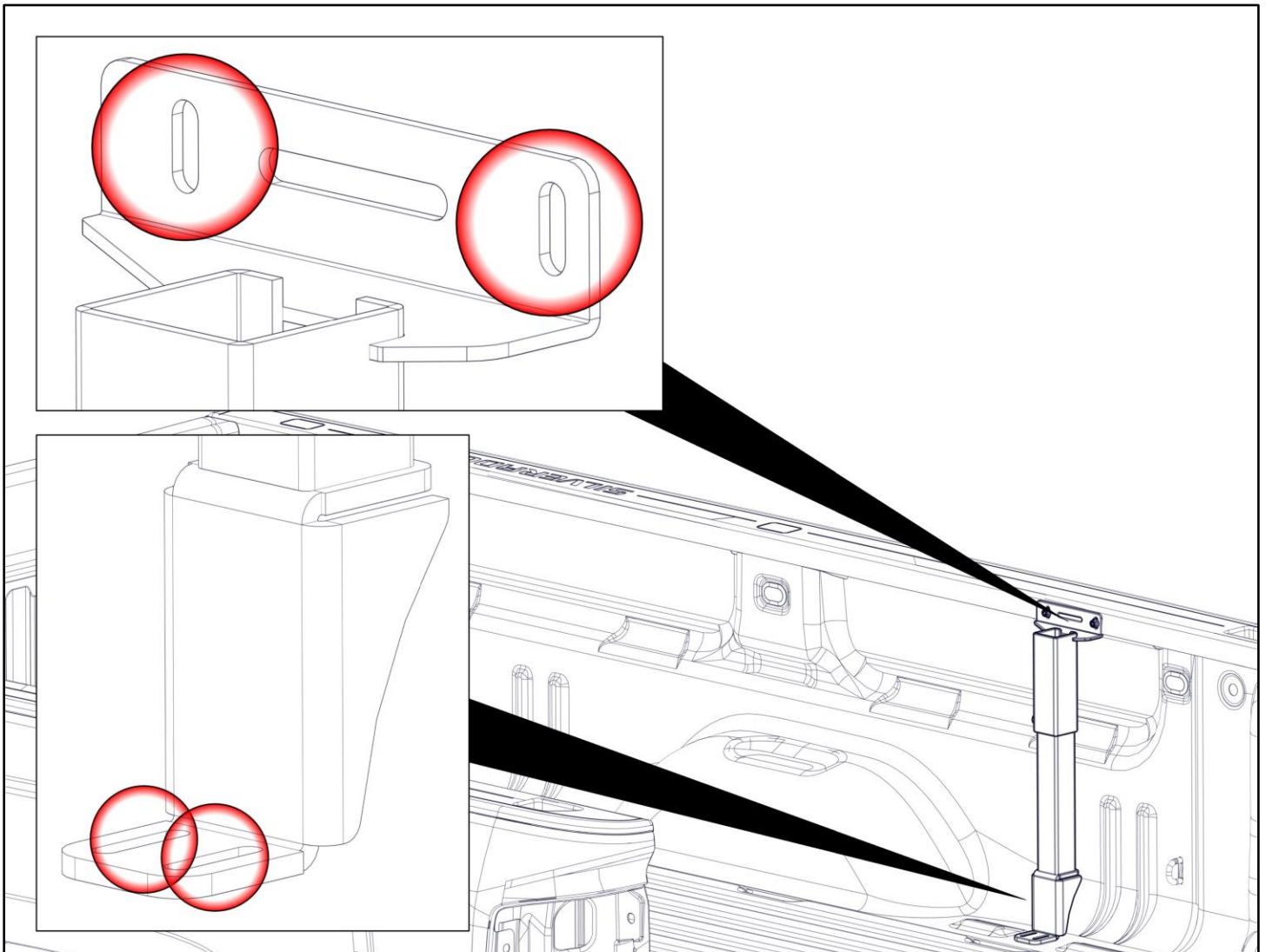
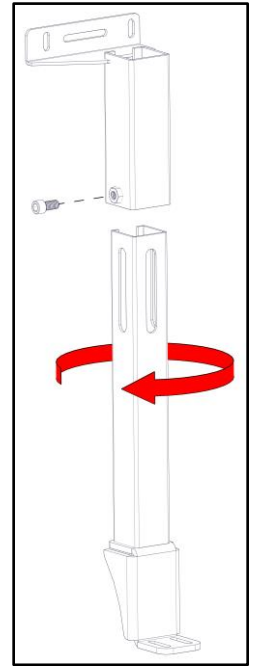
Step 1 – Find Front Mounting Locations

- At the front of the bed, near the cab of the truck, determine a safe location on the truck bed floor where the bottom of the lower leg can be mounted. Insert the lower leg into the front corner bracket. The lower leg can be rotated in a multiple of different orientations in order to pick up the best mounting location on the bed floor. Be sure the slot in the lower leg aligns with the mount bolt in the front corner bracket. A spacer may be needed if the lower leg rests on a ridge in the floor of the truck bed.
- Position the front corner bracket into the corner to allow mounting in two locations.
- Mark all four mounting locations.
- Ensure it is safe to drill at all locations. Drill using a 25/64" drill and install plus nuts at all locations.
- Passenger side shown below, can also be installed on driver side.



Step 2 – Find Rear Mounting Locations

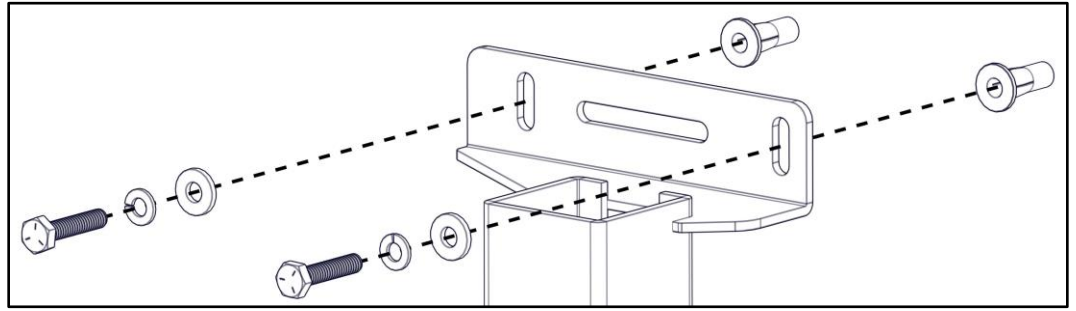
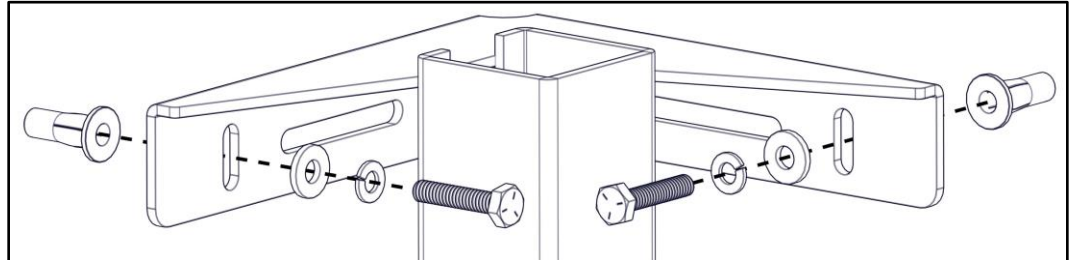
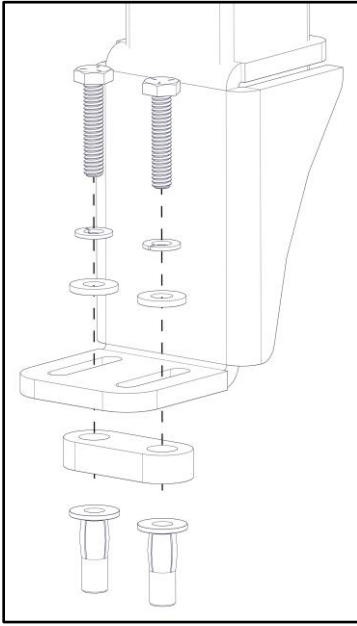
- At the rear of the bed, position the bracket and the lower leg into the desired location as in the previous step.
- Determine a safe location on the truck bed floor where the bottom of the lower leg can be mounted. Insert the lower leg into the rear bracket. The lower leg can be rotated in a multiple of different orientations in order to pick up the best mounting location on the floor. Be sure the slot in the lower leg aligns with the mount bolt in the rear bracket. A spacer may be needed if the lower leg rests on a ridge in the floor of the truck bed.
- Mark all four mounting locations.
- Ensure it is safe to drill at all locations. Drill using a 25/64" drill and install plus nuts at all locations.



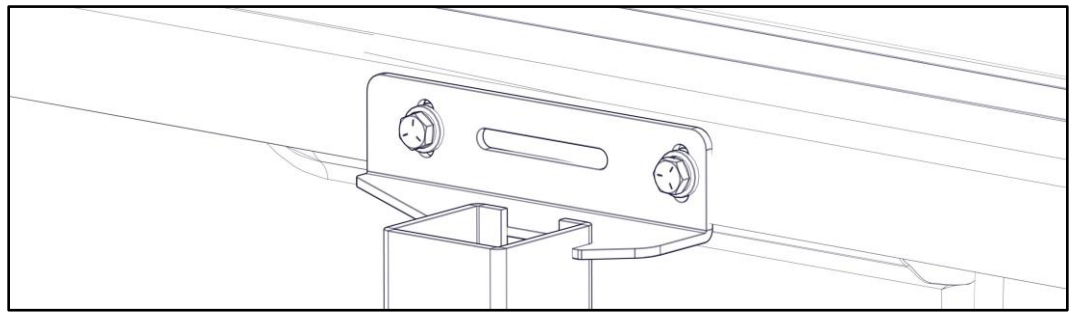
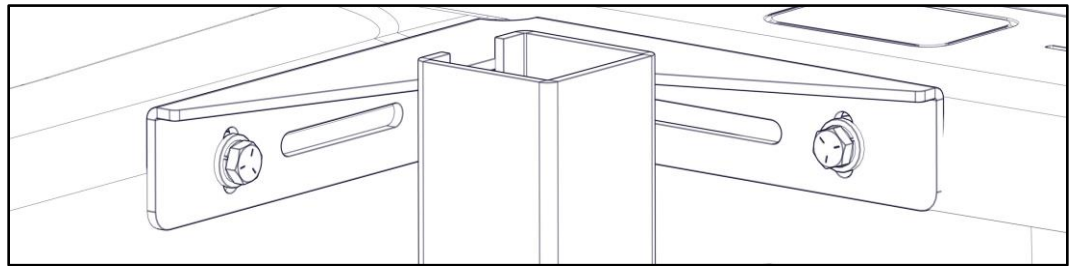
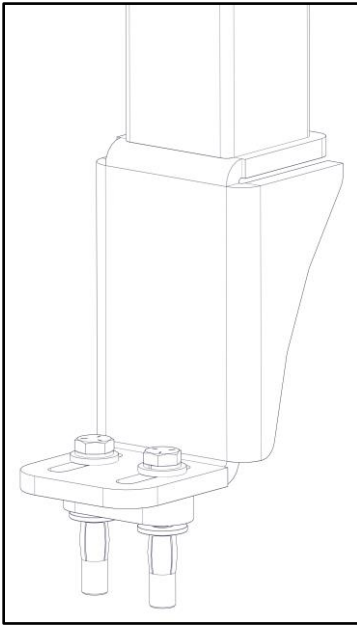
Step 3 – Attach Lower Legs

- Attach both lower legs and mount brackets to the truck bed using 1/4"x 1-1/4" hex head bolts, 1/4" lock washers and 1/4" flat washers and insert into the previously installed plus nut.

****EXPLODED****

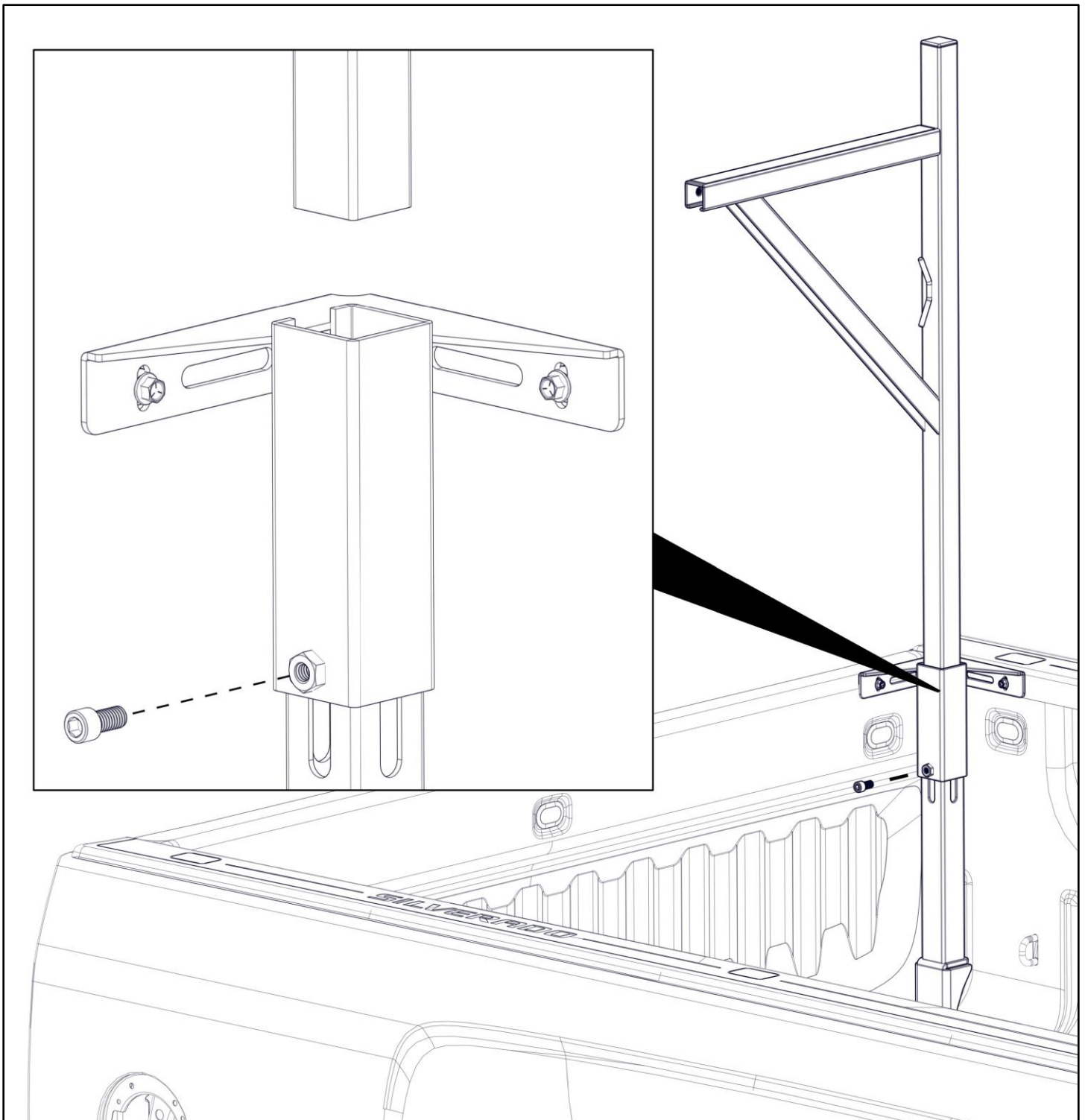


****INSTALLED****



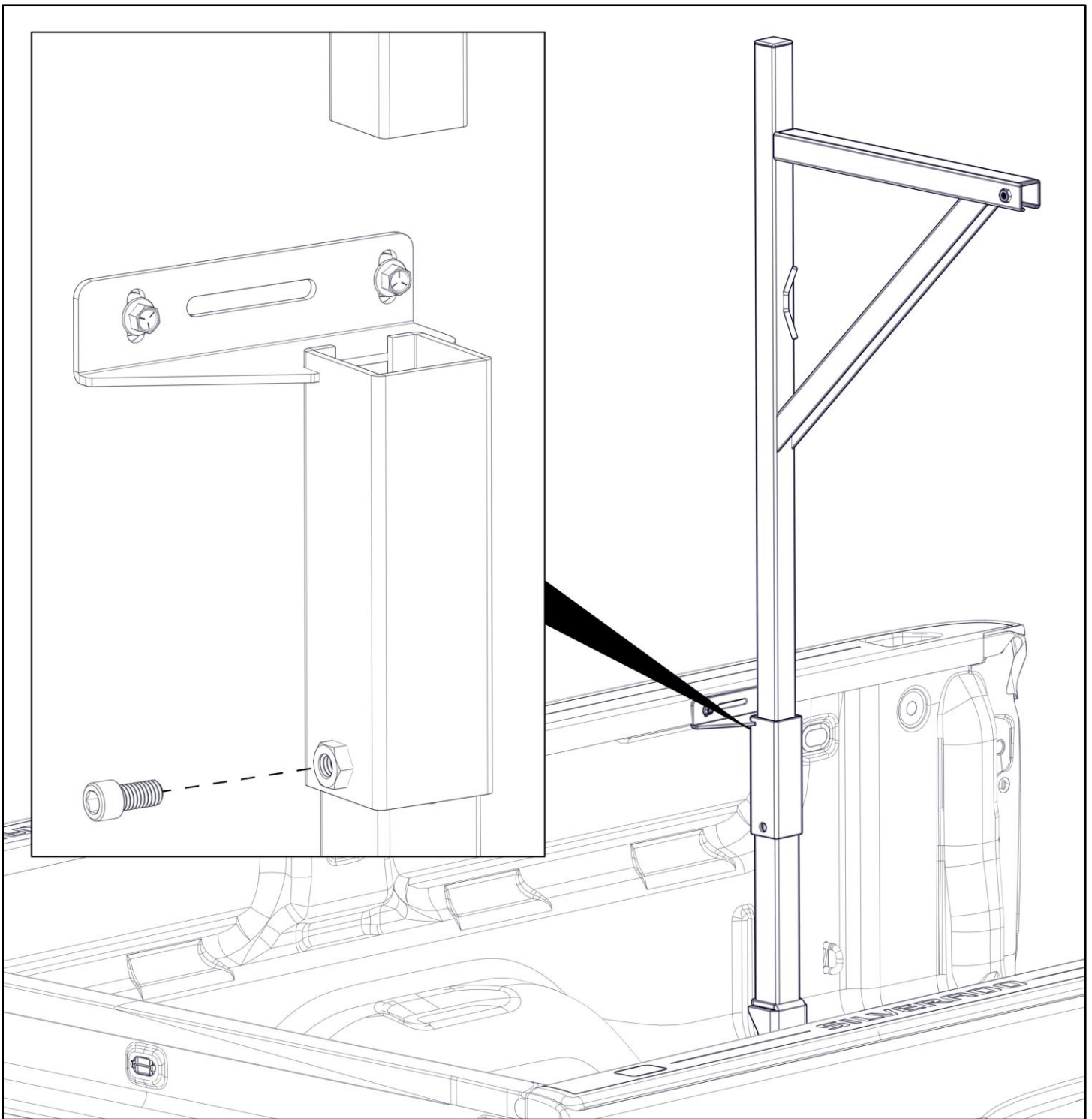
Step 4 – Install Front Upright Frame

- Insert the upright frame into the previously installed front corner bracket. Adjust to the desired height and secure in place using 3/8" x 3/4" socket head screws.



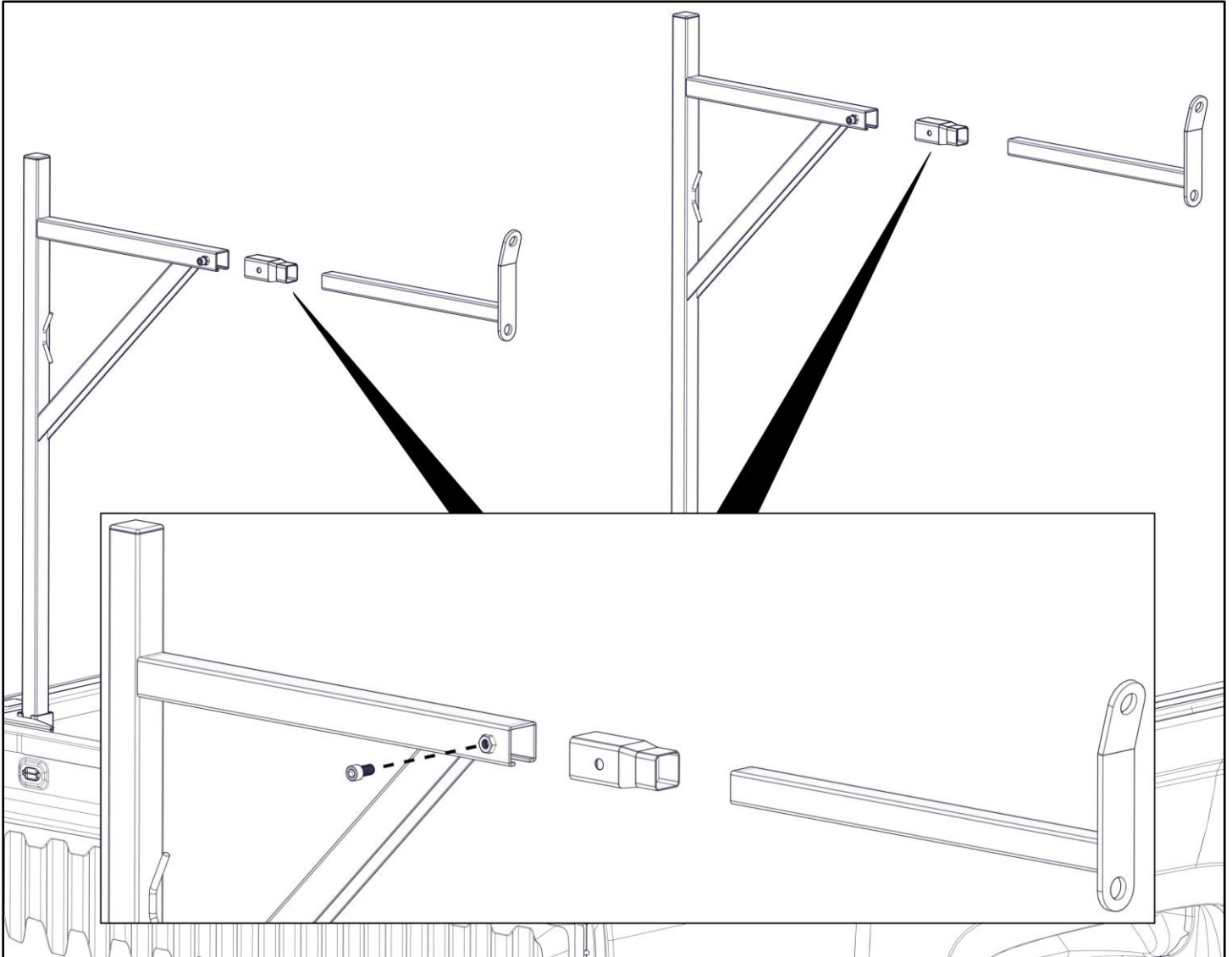
Step 5 – Install Rear Upright Frame

- Insert the upright frame into the previously installed rear bracket. Adjust to desired height and secure in place using 3/8" x 3/4" socket head screws.



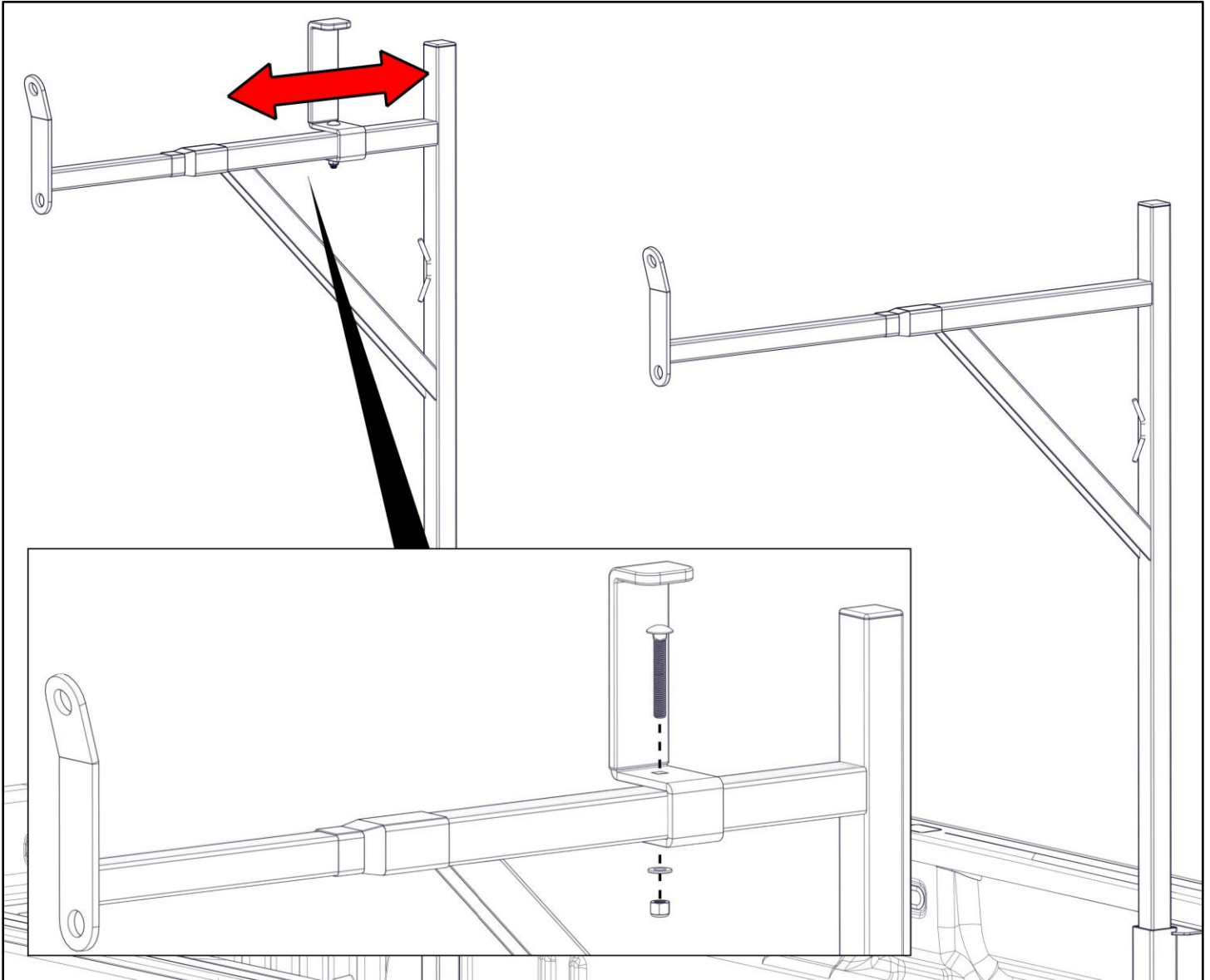
Step 6 – Install Strut Bracket

- Insert the strut brackets into the previously installed upright frames. Be sure to place the rubber sleeve over the both pieces as shown. Have the hole in the rubber sleeve align with the threaded nut on the side of the upright frame.
- Adjust to the desired position and secure in place using 3/8" x 3/4" socket head screws.



Step 7 – Mount Stop Bracket

- Attach the stop bracket to the front upright frame using a 3/8" x 2-3/4" carriage bolt, a 3/8" flat washer and a 3/8" nyloc nut in the orientation shown.
- Adjust the ladder stop to the desired position. Tighten.



**MAKE SURE ALL HARDWARE IS TIGHT
INSTALLATION IS NOW COMPLETE**

