

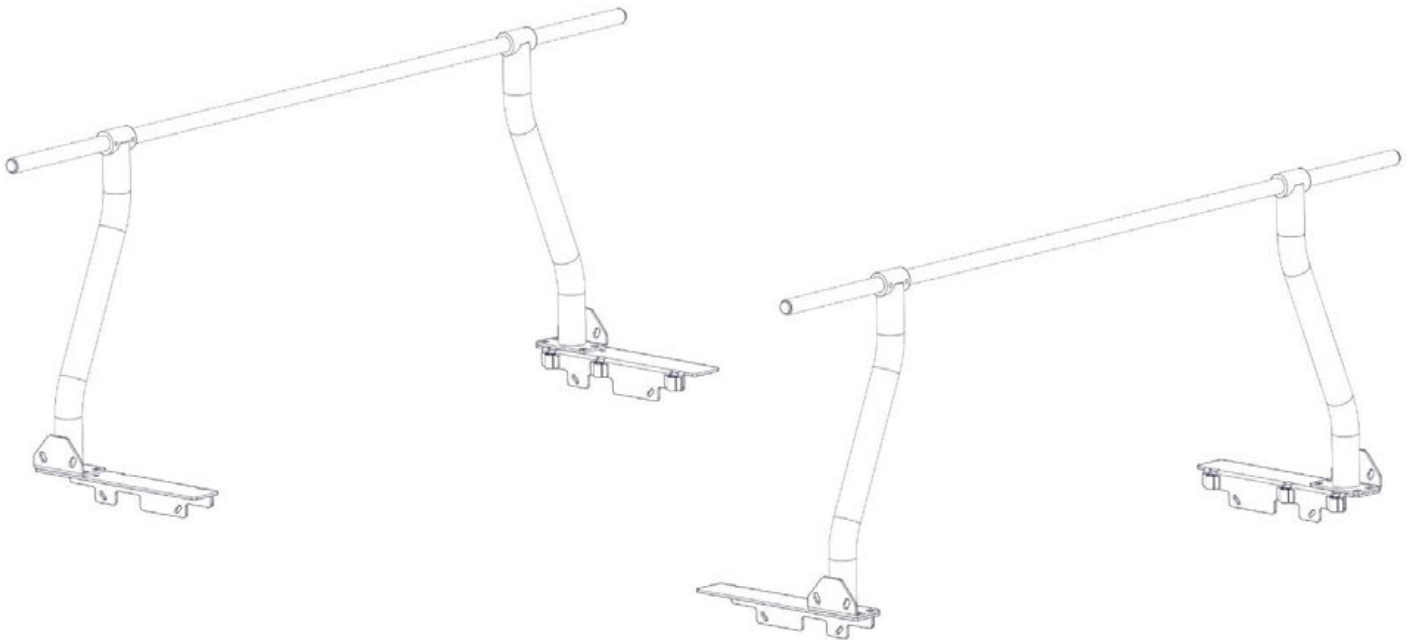


# Installation Guide

---

30070

---



Kargo Master

---

**\*PLEASE READ ALL INSTRUCTIONS AND WARNINGS PRIOR TO ASSEMBLING,  
INSTALLING, AND USING THIS PRODUCT\***

## Warning



Always check for wires, fuel tanks and lines, brake lines and other important vehicle functionality items prior to drilling and installing all products.

## Tools Needed

7/32" Allen	9/16" Wrench and Socket
3/16" Allen	1/2" Wrench and Socket

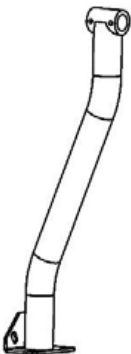
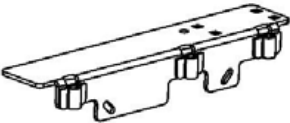
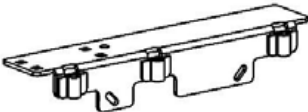

## Table of Contents

Parts List .....	2
Hardware List .....	2-3
Step 1 Leg to Bedrail .....	4
Step 2 Install Bedrail and Leg Assembly .....	5
Step 3 Install Crossbar .....	6
Step 4 Mount Bedrails .....	6
Stake Pocket .....	7
Under Bed Rail .....	8
Slot Rail .....	9-10

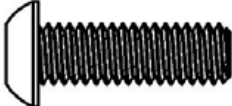
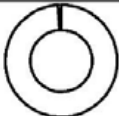
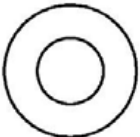

## Before You Begin

- Read all instructions.

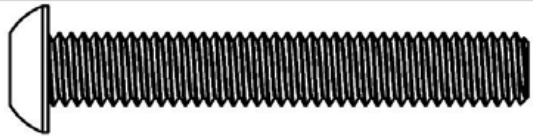
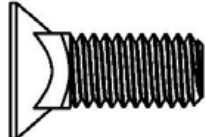
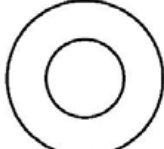



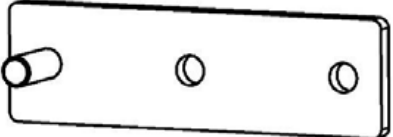


## Parts

ITEM NO.		PART NUMBER	DESCRIPTION	QTY.
A		30070-10	Leg ASM	4
B		30070-20	Bed Rail Mount ASM	2
C		Mirror30070-20	Mirror-Bed Rail Mount ASM	2
D		30070-30	1.125" Cross Bar ASM	2
		18-30070	HARDWARE KIT	1

## Hardware

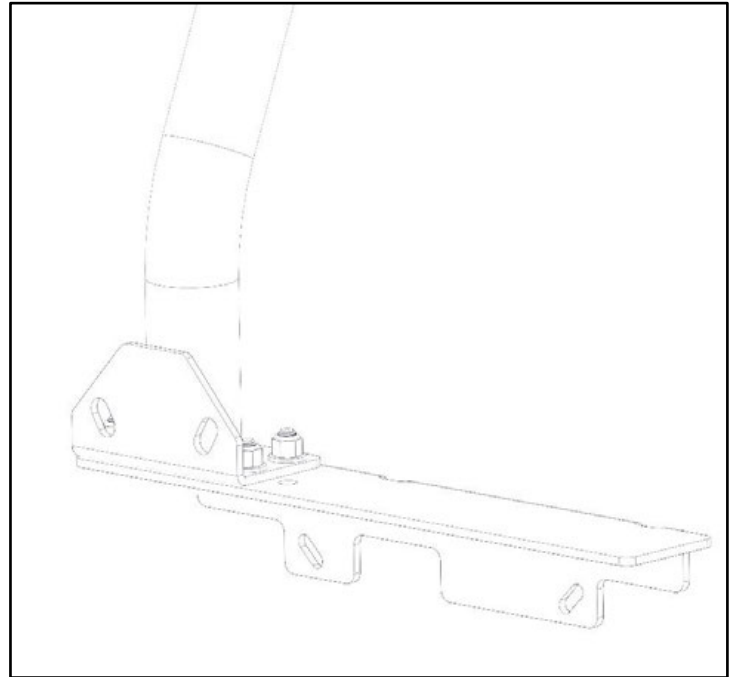
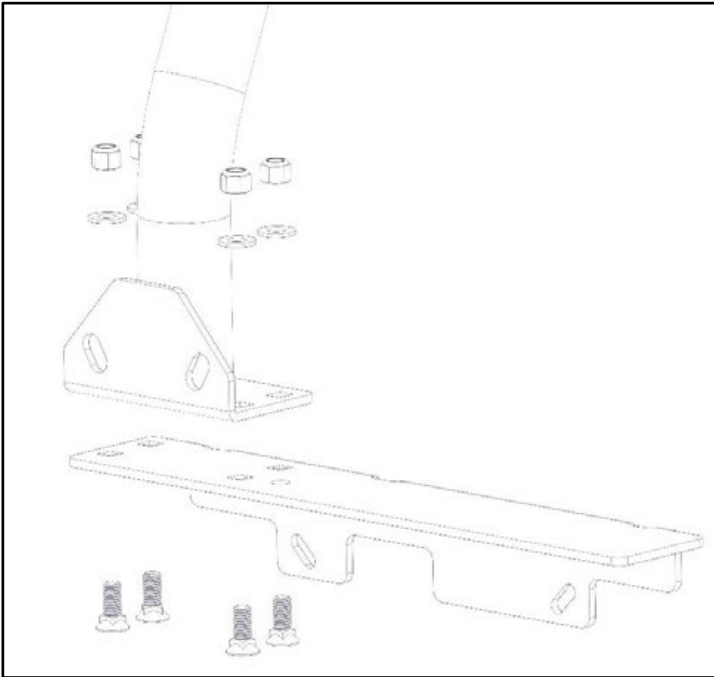
ITEM NO.	TO SCALE	PART NUMBER	DESCRIPTION	QTY.
1		91306A287	5/16"-18 x 1" Button Head Cap Screw	8
2		91102A755	5/16" Split Lock Washer	8
3		90126A030	5/16" Flat Washer	8
4		95615A160	5/16"-18 Nyloc	2

## Hardware Con't

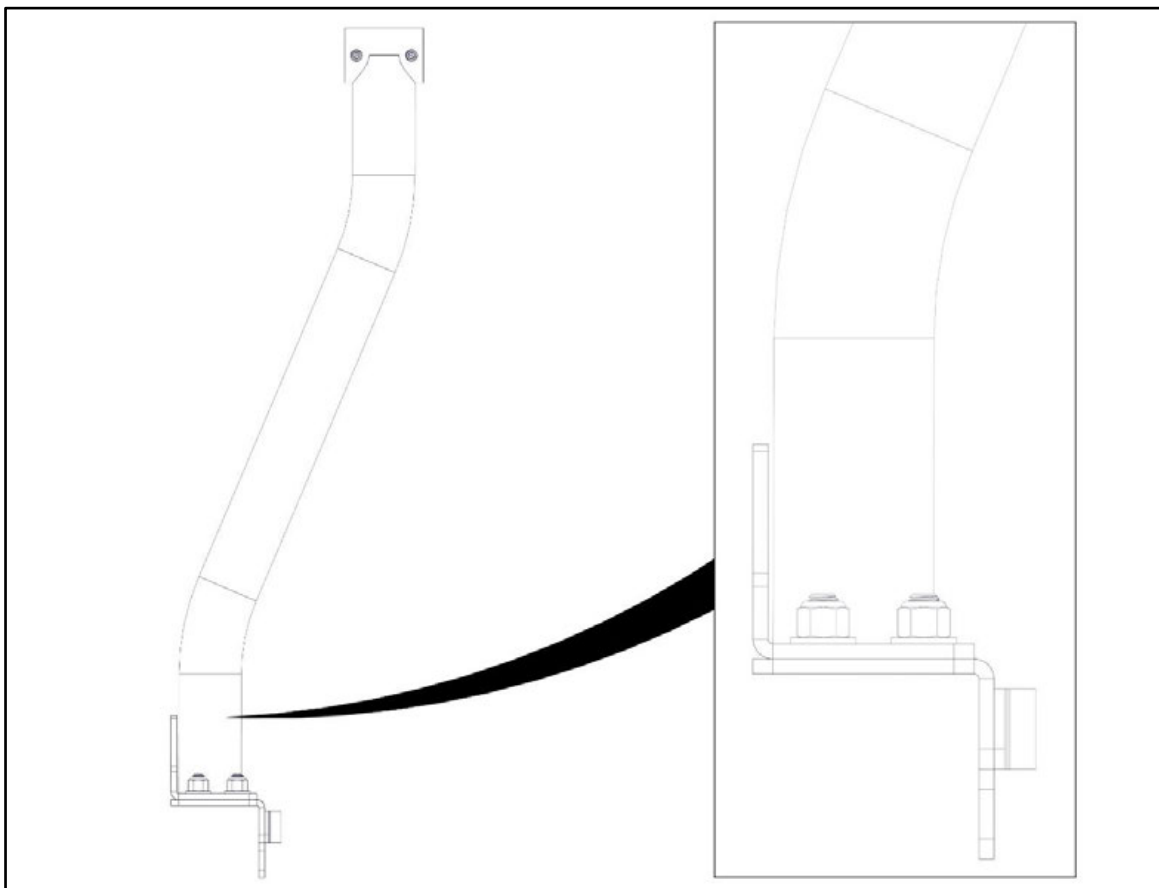
ITEM NO.	TO SCALE	PART NUMBER	DESCRIPTION	QTY.
5		91255A635	3/8"-16 x 2.50" Button Head Cap Screw	8
6		90911A624	3/8"-16 x 1" Plow Bolt	16
7		90126A031	3/8" Flat Washer	16
8		95615A140	3/8"-16 Nyloc	16
9		94105A605	3/8"-16 x 3/8" Set Screw	8
10		11-00112	Chevy Nut	4
11		30070-22	Large Pemstud ASM	2
12		30070-23	Small Weldnut ASM	8
13		30070-00-006	Angle Mount	8

## Step 1 – Leg to Bedrail

- Bolt leg assembly (A) to each bedrail (B&C) using four 3/8" x 1" plow bolts (6), four 3/8" flat washers (7) and four 3/8" nyloc nuts (8) in the orientation shown.

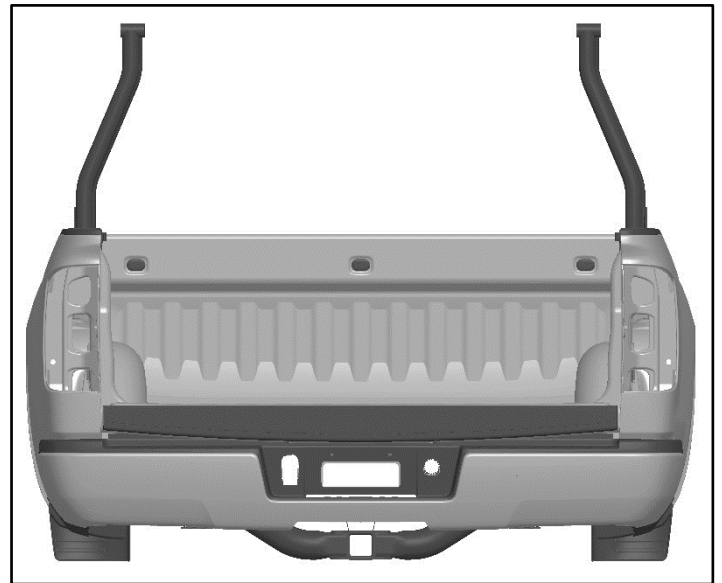
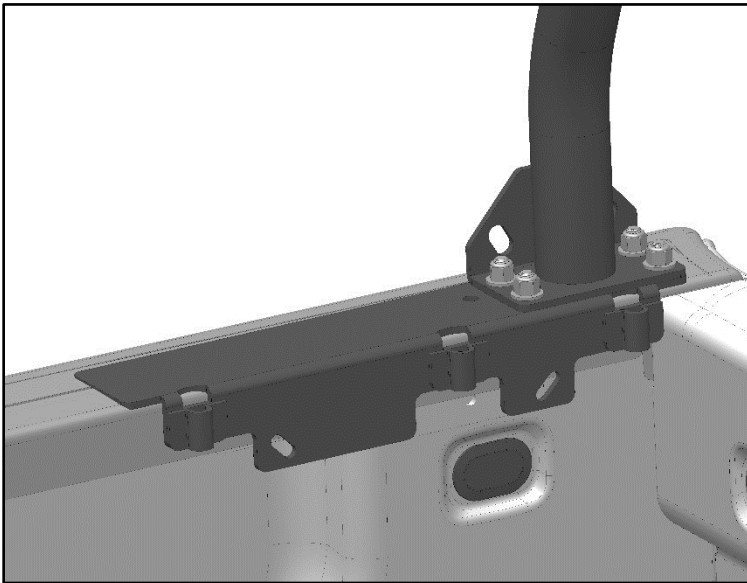
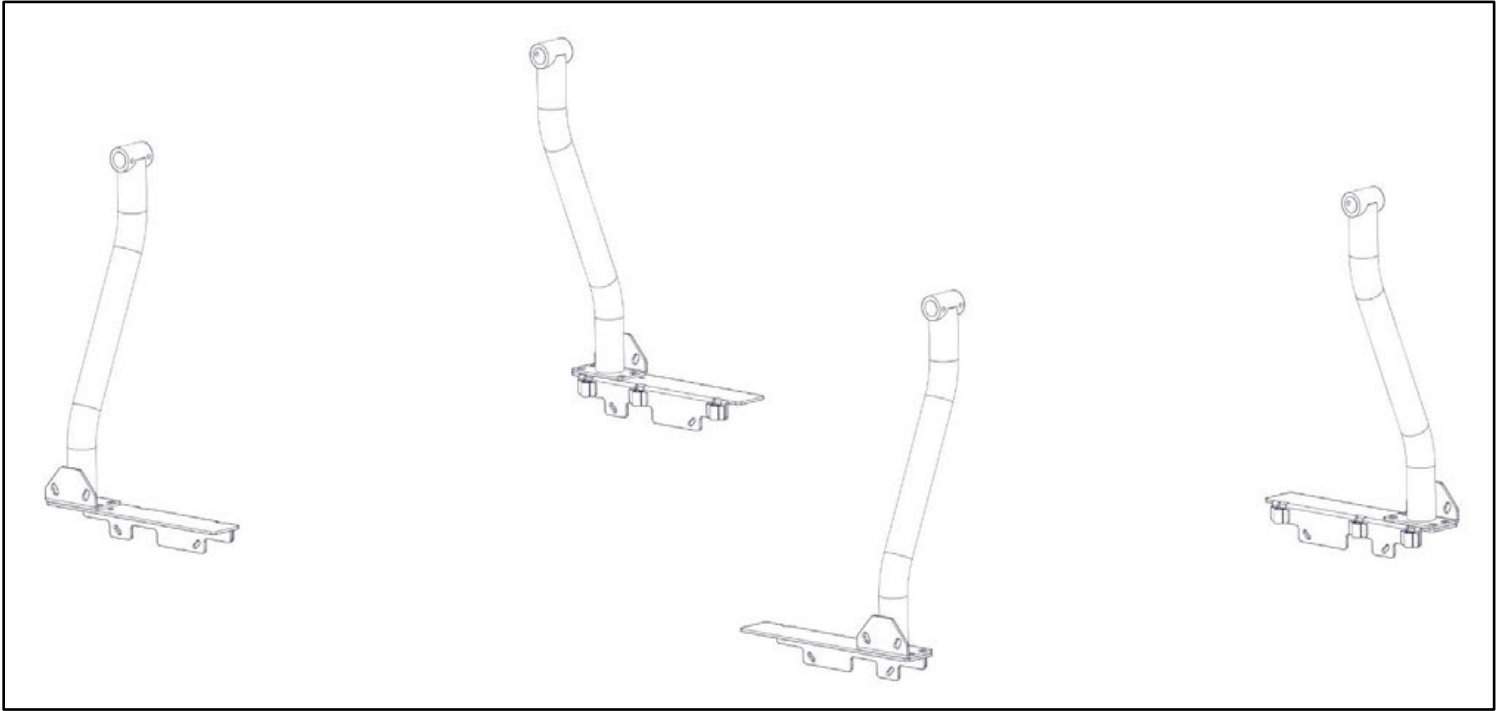


- Repeat for each of the four legs, leg on two different bed rails.
- Be sure the bend in the leg assembly is towards the bend in the bed rail as shown.
- **SNUG TIGHTEN, BUT ALLOW MOVEMENT.**



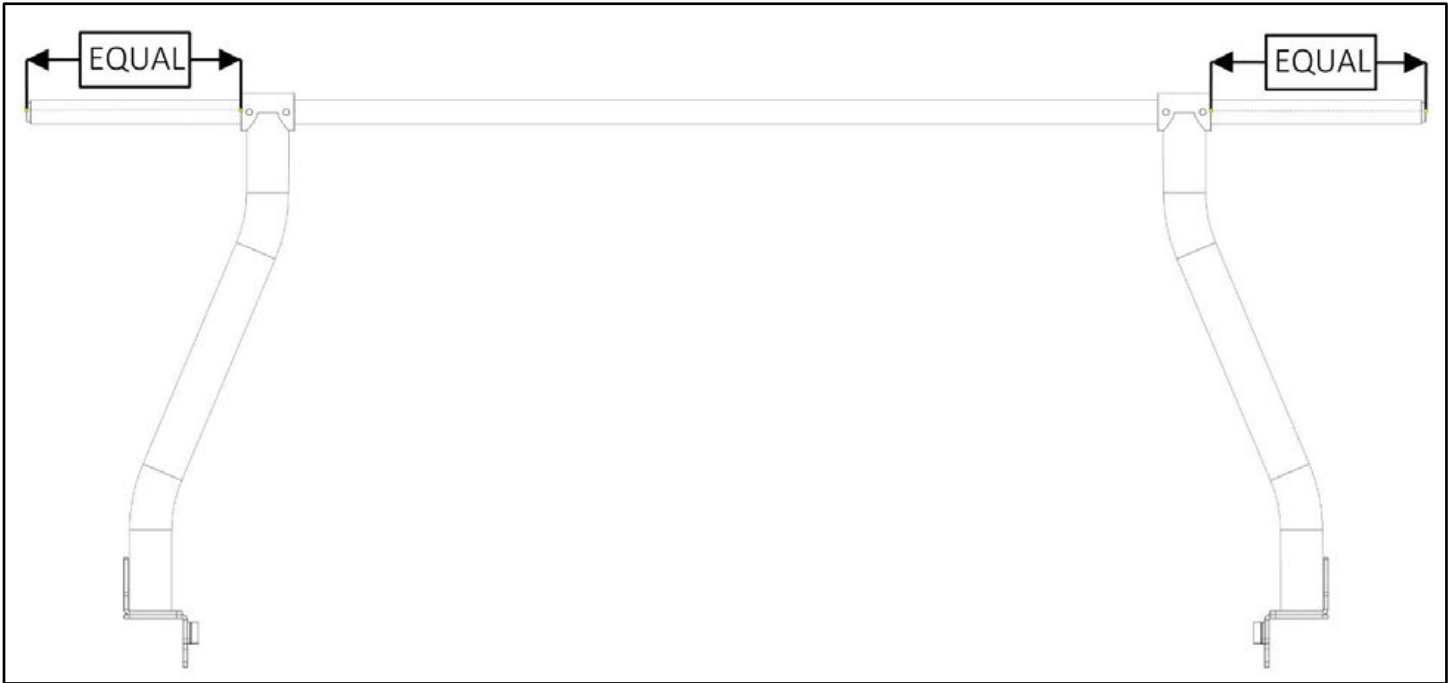
## Step 2 – Install Bedrail and Leg Assembly

- Place a bedrail with leg assembly in each corner of the bed.
- Have the majority of the bedrail towards the center of the bed.
- Have the bend in the legs towards the center of the cab.



### Step 3 – Install Crossbar

- Slide crossbar in through the top of each leg.
- Be sure there is equal distance from the leg to the end of the crossbar while maintaining a flat bed rail mount.
- Some beds are more narrow in the rear than in the front. The equal distance on the crossbar may vary from front to back.
- DO NOT TIGHTEN AT THIS POINT.

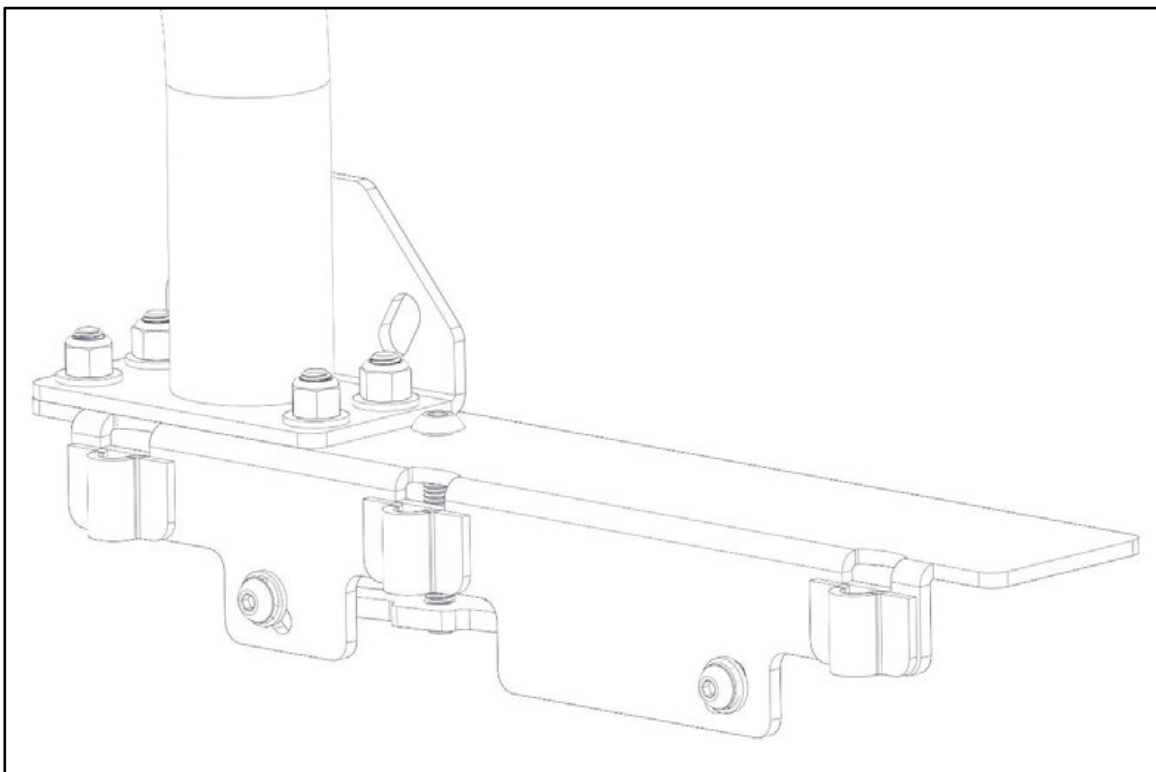
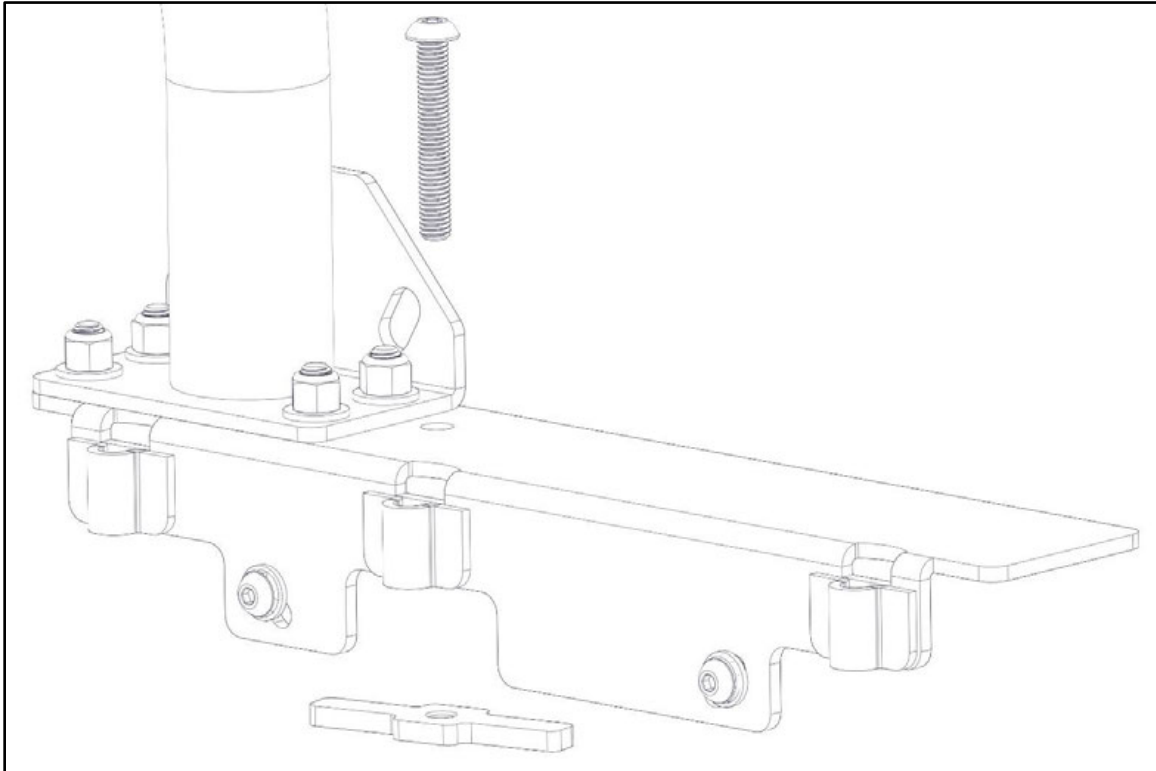


### Step 4 – Mount Bedrails

- There are multiple ways to mount the bedrail depending on which truck you have.
- Some trucks have stake pockets and some trucks have a slot rail on the inside of the bed.
- One may use the under side of the bed if accessible as well.
- See next pages for various types of installations.

## Step 4A – Stake Pocket

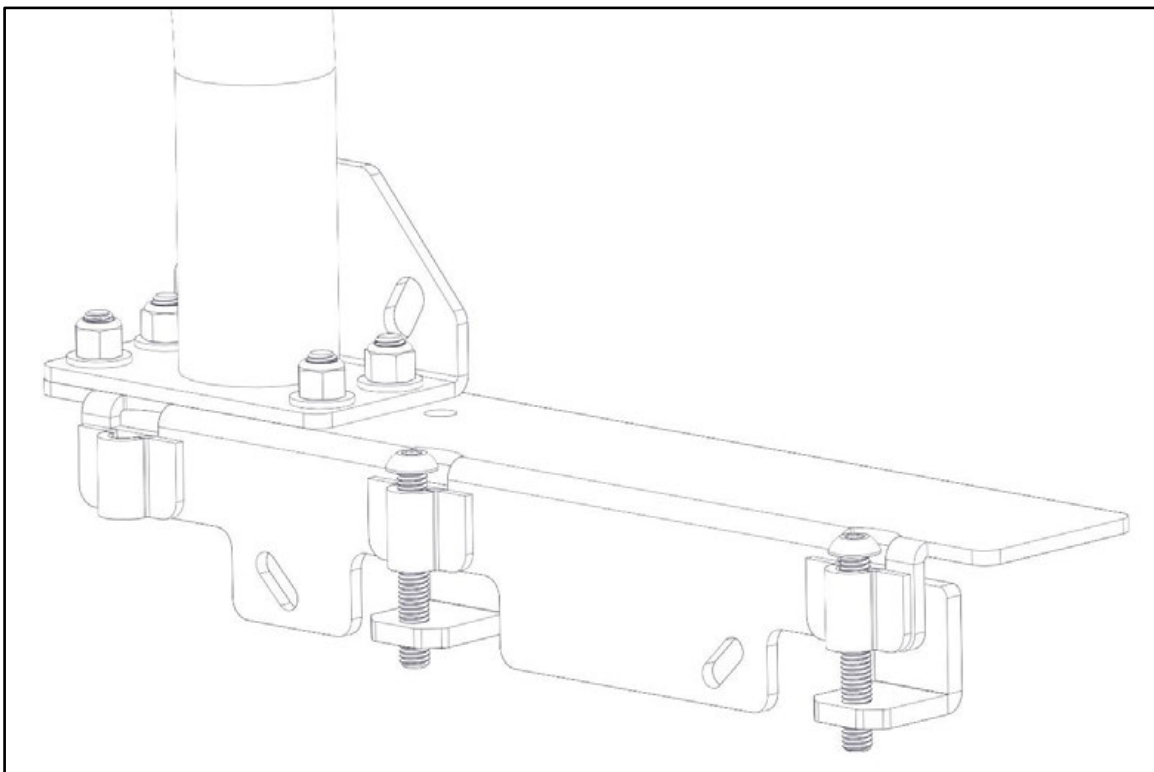
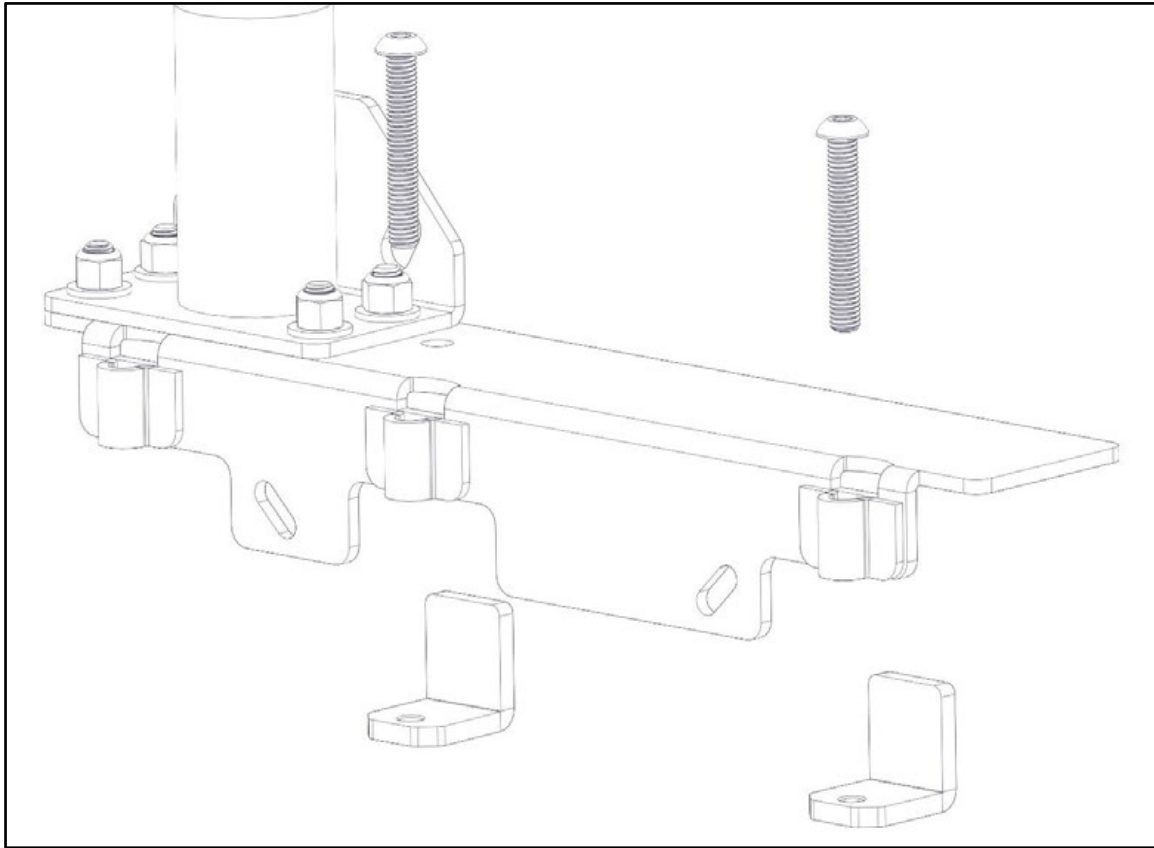
- Find stake pocket on bed rail. In some situations, the plastic needs to be cut out to expose the metal stake pocket.
- Place a 3/8" x 2-1/2" button head (5) through the hole in the top of the bed rail (B & C). Attach to the chevy nut (10) and place down inside of the stake pocket.
- When installing, have the chevy nut come into contact with metal inside the stake pocket.





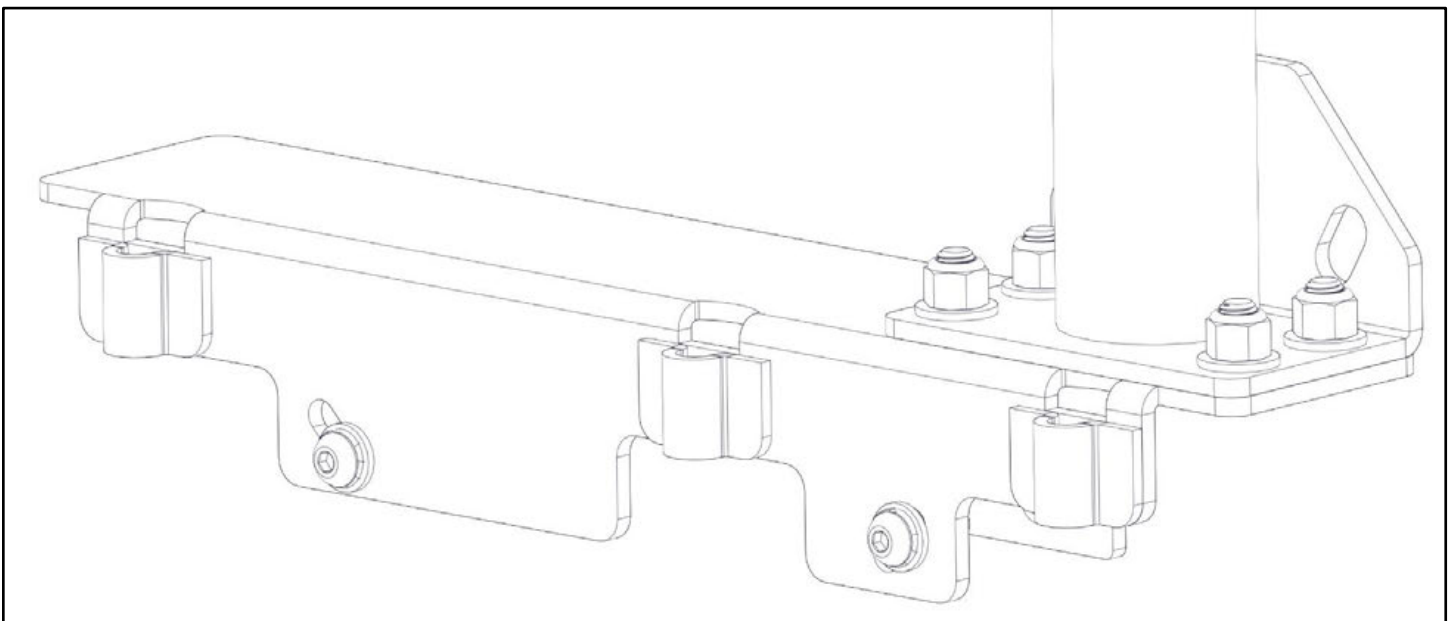
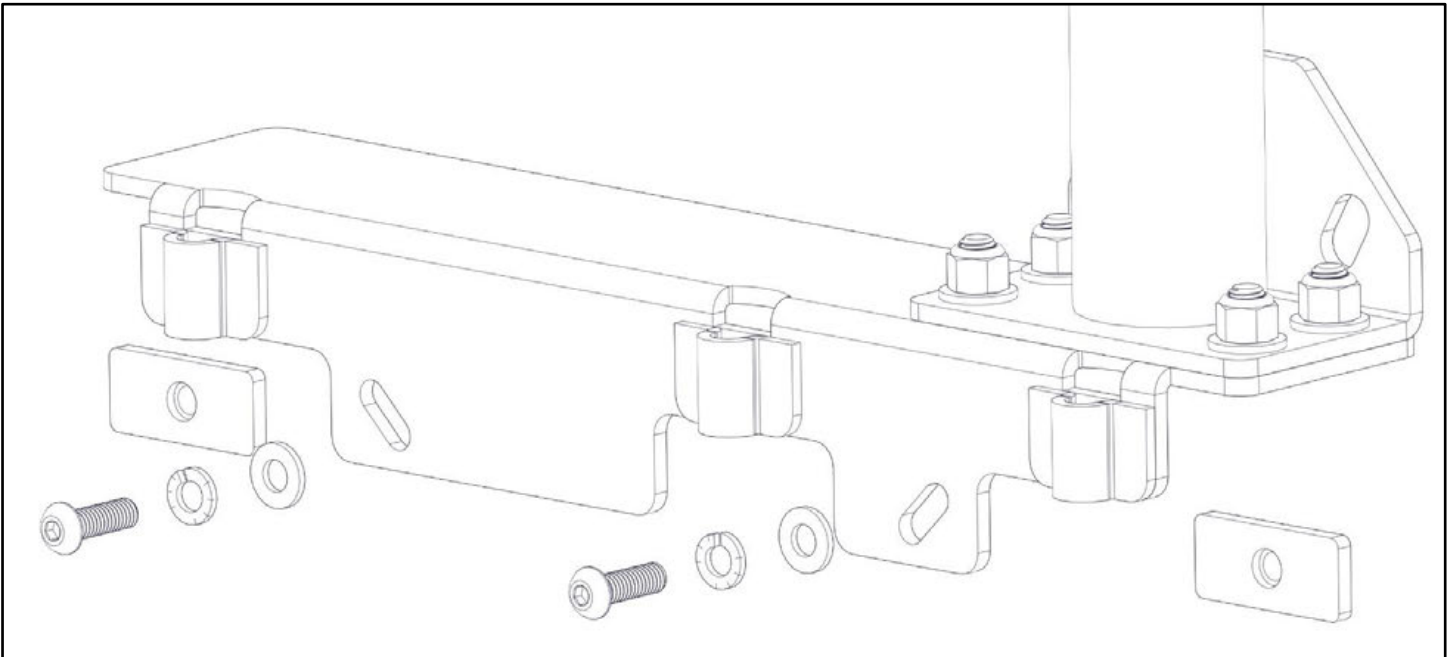
## Step 4B – Under Bed Rail

- Find location where the underside of bed rail is accessible. Try and pick up two locations.
- Use 3/8" x 2-1/2" button head (5) and an angle mount (13) to clamp under bed rail.

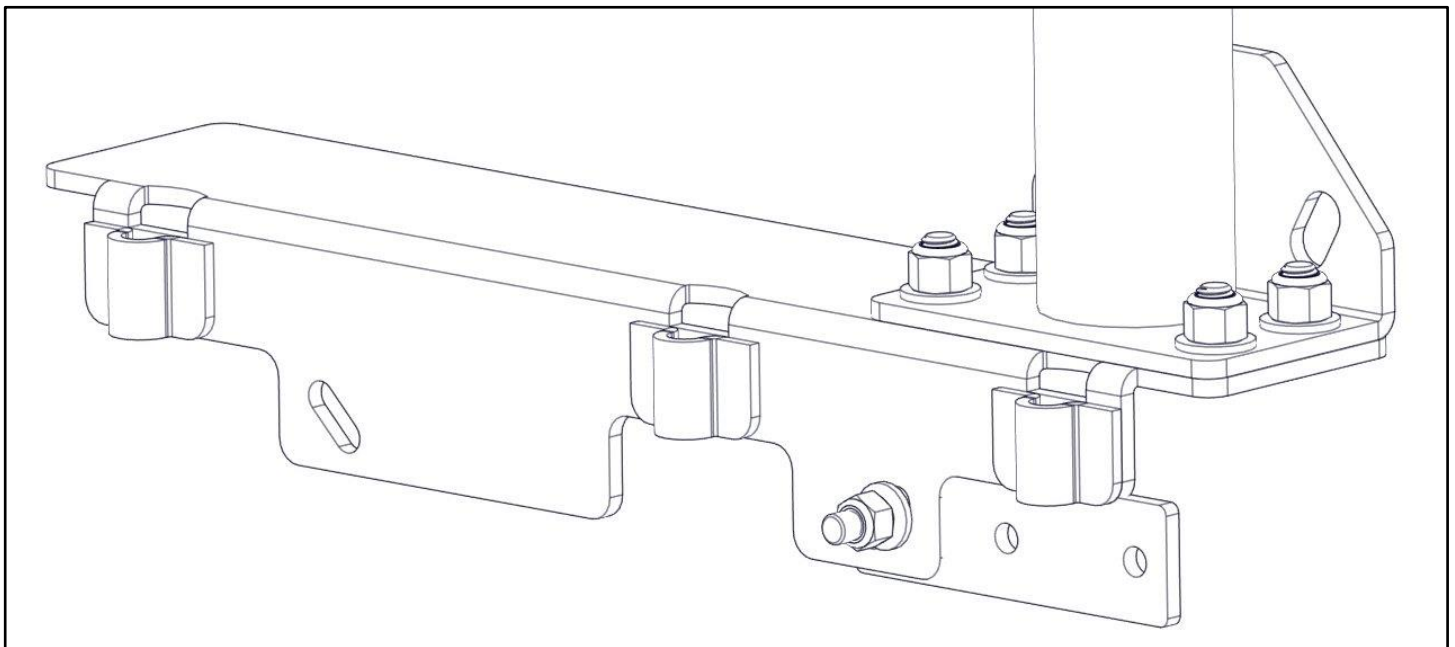
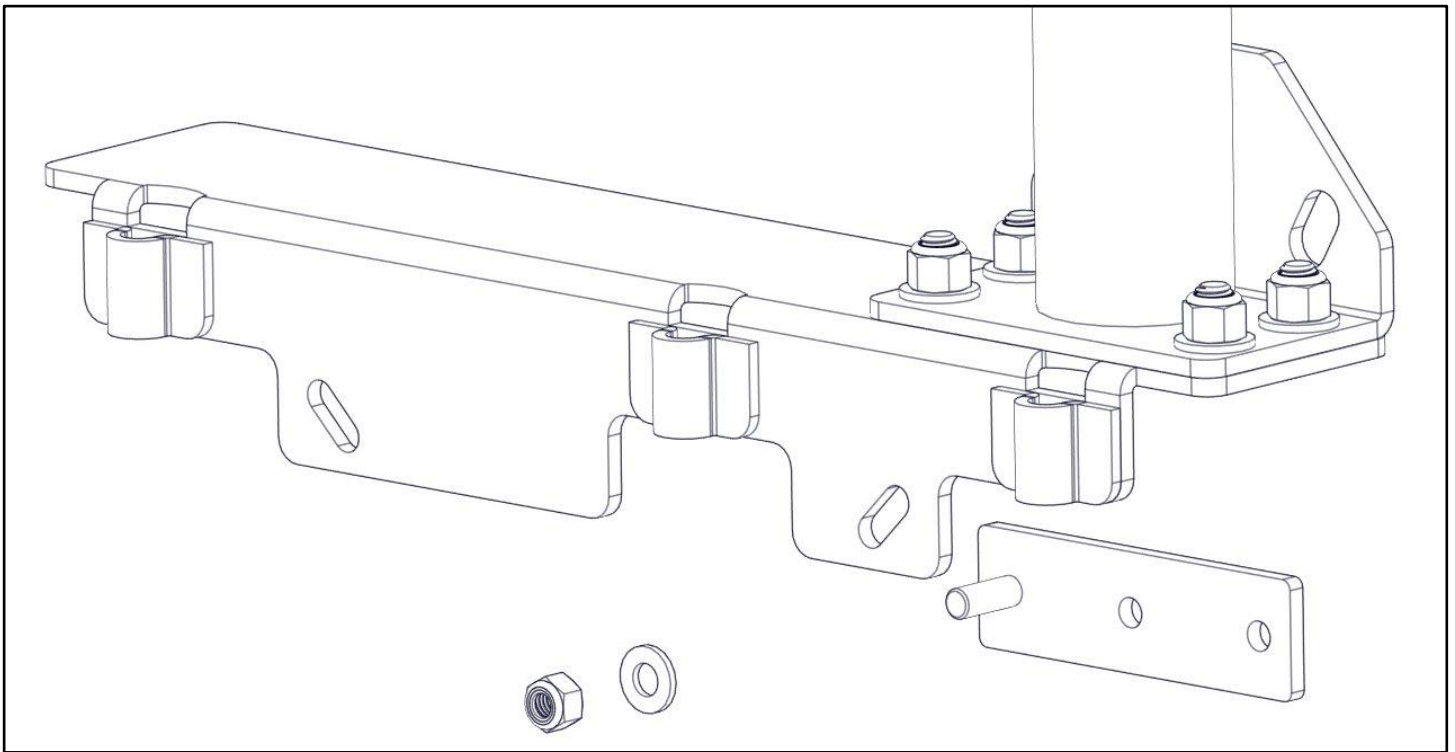


## Step 4C – Slot Rail

- If the truck is equipped with a slot rail on the inside of the bed, make use of a weldment (11 or 12).
- Determine which weldment will work with the rail based on the width of the rail.
- Slide either small weldnut (11) or large pemstud (12) into slot rail and under the slots in the bed rail.
- If using the small weldnut, bolt using a 5/16" x 1" button head (1), a 5/16" split lock washer (2) and a 5/16" flat washer (3).



- If using the large pemstud, attach using a 5/16" flat washer (3) and 5/16" nyloc nut (4).
- If installing on a Tacoma, bolt through the two holes on pemstud assembly into the truck.



Align and square rack to your liking.  
Ensure all bolts are tight. Your Installation is now complete.