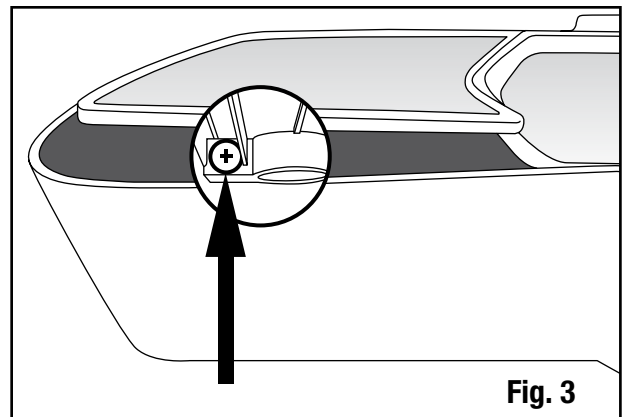
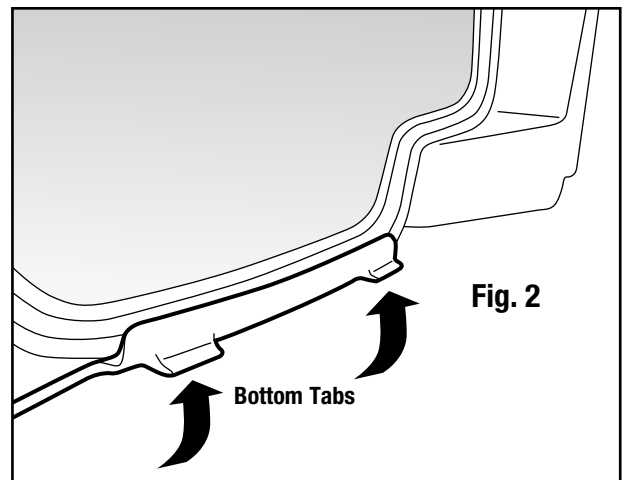
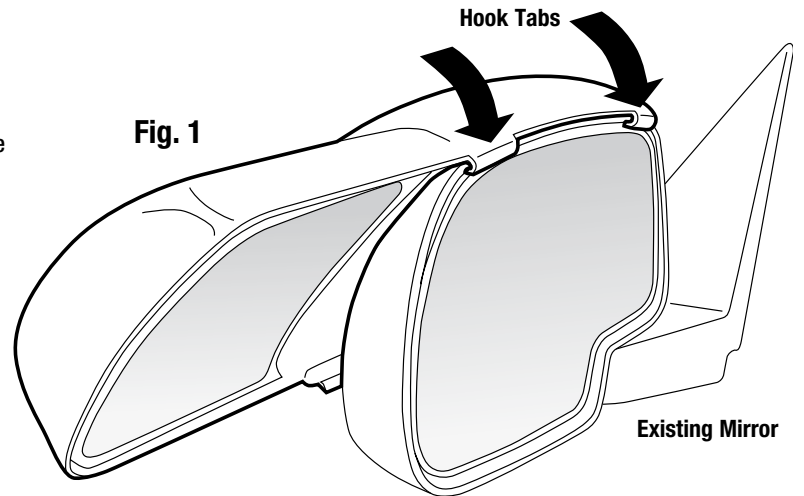


## INSTALLATION INSTRUCTIONS

### INSTALLATION INSTRUCTIONS

1. For easier installation, stand behind your vehicle's mirror and install your towing mirror from the back.
2. Hook the two tabs at the top of your towing mirror over the top lip of your existing mirror's housing. (Fig. 1)
3. Gently push down on the towing mirror until it snaps on to your vehicle mirror at the bottom. You may need to push down on the bottom lip of your mirror as you guide the towing mirror into place. (Fig. 2)
4. To remove, simply reverse this process by pushing down on the two bottom tabs of the towing mirror.
5. If mirror lens becomes loose, locate the set screw behind the lens by angling it to one side, and tighten with a screwdriver. (Fig. 3)



NOTE: Mirrors with chrome cover or painted cover may need the bottom foam tape strip removed for easier installation. If you continue having trouble with installation remove an additional foam tape strip.