

# Double End Bracket Kit for Model TS1000

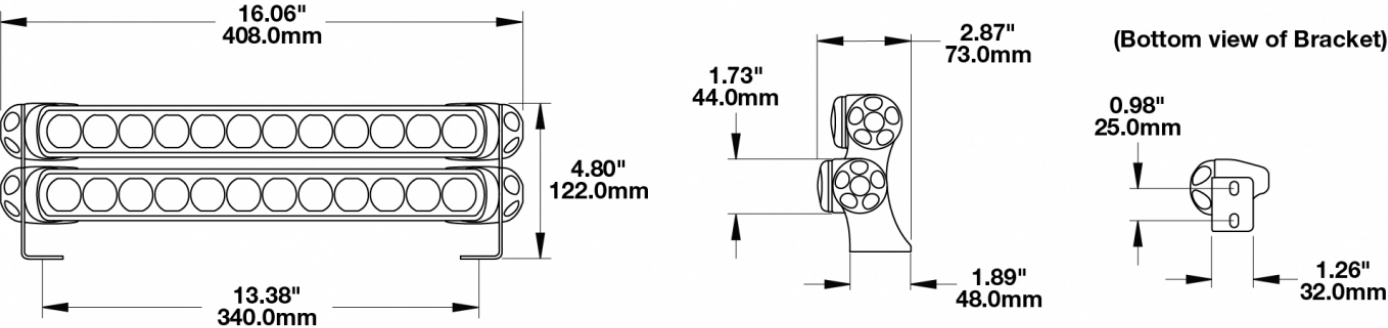
## Light Bars

### PRODUCT INFORMATION

<b>Description</b>	Double End Bracket Kit for Model TS1000 Light Bars
<b>Height</b>	122.00 mm / 4.8 in
<b>Width</b>	408.00 mm / 16.06 in
<b>Depth</b>	73.00 mm / 2.87 in
<b>Mounting Hardware Description</b>	(x4) M8-20mm
<b>Product Weight</b>	1.50 lbs / 0.68 kgs
<b>Additional Information</b>	This is a double end mount bracket kit used with the Model TS1000 Light Bars for adjustable aiming.



### PRODUCT DIMENSIONS



# Double End Bracket Kit for Model TS1000

## Light Bars

### APPLICATIONS

---



### SUITS THESE PRODUCTS

---



#### **14" Off-Road LED Light Bar**

LED Light Bars - Model  
TS1000