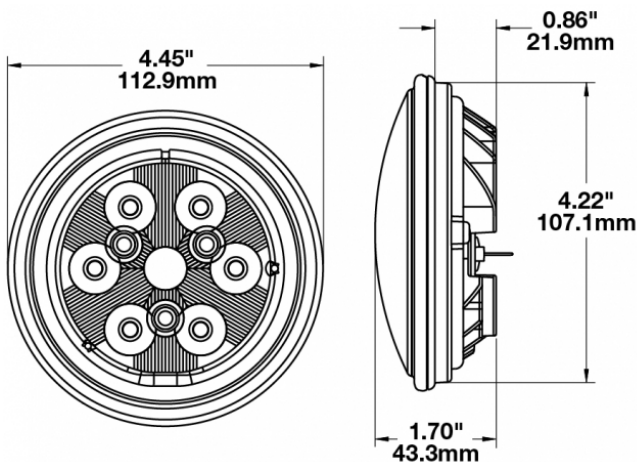




PRODUCT INFORMATION

Description	12V LED Work Light with Polycarbonate Lens & Trapezoid Beam Pattern
Height	113.03 (mm) / 4.45 (in)
Width	113.03 (mm) / 4.45 (in)
Depth	43.18 (mm) / 1.7 (in)
Shape	Round
Outer Lens Material	Polycarbonate
Outer Lens Color	Clear
Housing Material	Die-Cast Aluminum
Housing Color	Black
Retrofits	PAR36 Worklights
Minimum Operating Temperature	-40 (°C) / -40 (°F)
Maximum Operating Temperature	65 (°C) / 149 (°F)
Connector or Wiring	Blade Terminals (Ring Terminal Adaptors Provided)
Mating Connector	0.25" Blade, #6 Ring Terminal, #8 Ring Terminal
Product Weight	0.69 (lbs) / 0.31 (kgs)
Shipping Weight	0.90 (lbs) / 0.41 (kgs)
Spec Sheet Printed	2016-07-07

PRODUCT DIMENSIONS



ELECTRICAL SPECIFICATIONS

Input Voltage	12 V DC
Operating Voltage	10-15 V DC
Transient Spike Protection	150V Peak @ 1 HZ-100 Pulses
Red Wire	Positive
Black Wire	Negative
Current Draw	2.00 MaxA @ 12V DC

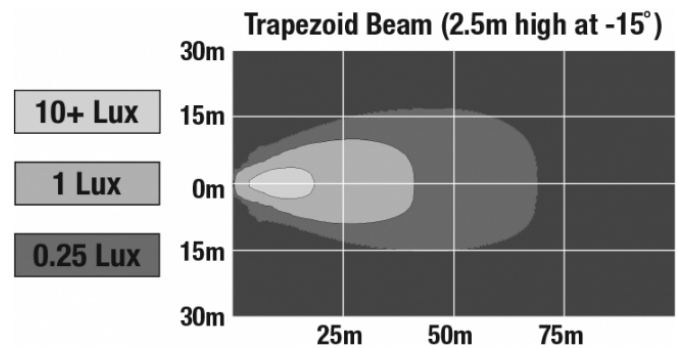
REGULATORY STANDARDS COMPLIANCE



Buy America Standards Eco Friendly
ETL Conformance to UL 583 IEC IP66

PHOTOMETRIC SPECIFICATIONS

Raw Lumen Output	1,050
Effective Lumen Output	770
Nominal LED Color Temperature	5000 (K)
Beam Pattern(s)	Forward Lighting - Trapezoid



APPLICATIONS



RELATED PRODUCTS



[Part Number 3157291](#)

12V LED Work Light with Glass Lens & Flood Beam Pattern



[Part Number 3157301](#)

12V LED Work Light with Glass Lens & Trapezoid Beam Pattern



[Part Number 3157471](#)

12-48V LED Work Light with Polycarbonate Lens & Flood Beam Pattern



[Part Number 3157481](#)

12-48V LED Work Light with Polycarbonate Lens & Trapezoid Beam Pattern



[Part Number 3157491](#)

12-48V LED Work Light with Polycarbonate Lens & Spot Beam Pattern



[Part Number 3157581](#)

12-48V LED Work Light with Glass Lens & Spot Beam Pattern



[Part Number 3157591](#)

12-48V LED Work Light with Glass Lens & Trapezoid Beam Pattern



[Part Number 3157601](#)

12-48V LED Work Light with Glass Lens & Flood Beam Pattern