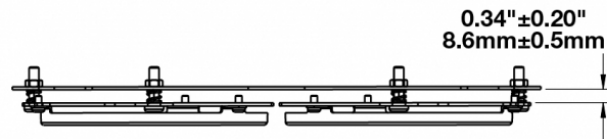
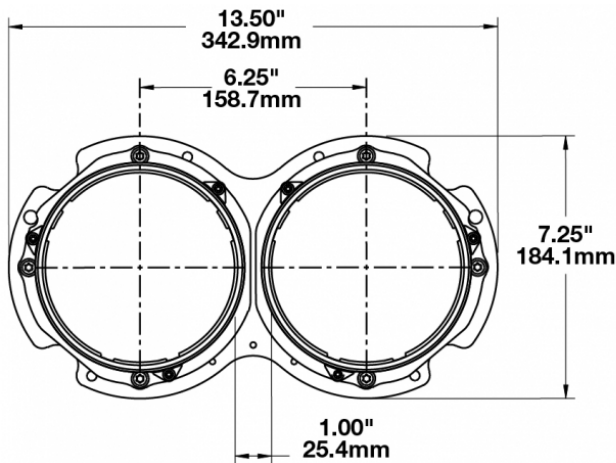


PRODUCT INFORMATION

Description	Double Ring Kit Mounting Assembly for LED Headlight Model 8630
Height	342.90 (mm) / 13.5 (in)
Width	184.15 (mm) / 7.25 (in)
Product Weight	2.06 (lbs) / 0.93 (kgs)
Spec Sheet Printed	2016-07-07



PRODUCT DIMENSIONS



REGULATORY STANDARDS COMPLIANCE



Buy America Standards

APPLICATIONS



SUITS THESE PRODUCTS



[5.75" Round LED
Headlights](#)

**LED Headlights - Model
8630 Evolution**



[5.75" Round LED
Headlights with Turn Signal](#)

**LED Headlight - Model
8631 Evolution**