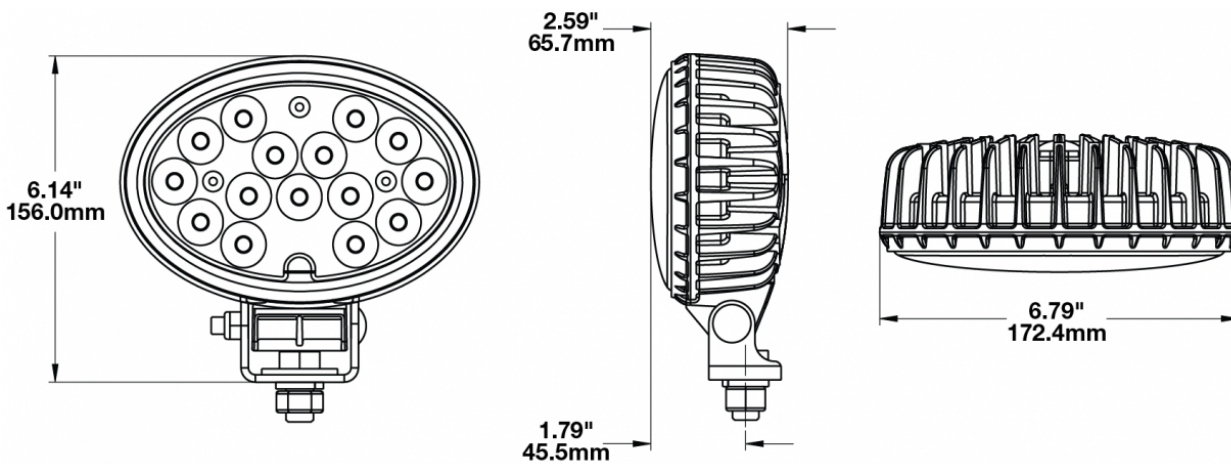




PRODUCT INFORMATION

Description	12-24V LED Work Light with Polycarbonate Lens & Trapezoid Beam Pattern
Height	155.96 (mm) / 6.14 (in)
Width	172.47 (mm) / 6.79 (in)
Depth	77.11 (mm) / 3.04 (in)
Shape	Oval
Outer Lens Material	Polycarbonate
Outer Lens Color	Clear
Housing Material	Die-Cast Aluminum
Housing Color	Black
Mounting Hardware Description	(x1) 1/2"-13 x 1"
Minimum Operating Temperature	-40 (°C) / -40 (°F)
Maximum Operating Temperature	65 (°C) / 149 (°F)
Connector or Wiring	Deutsch DT04-2P
Mating Connector	Deutsch DT06-2S
Spec Sheet Printed	2016-07-07

PRODUCT DIMENSIONS



ELECTRICAL SPECIFICATIONS

Input Voltage	12-24 V DC
Operating Voltage	10-32 V DC
Transient Spike Protection	330V Peak @ 1 HZ-100 Pulses
Red Wire	Power - Positive
Black Wire	Ground - Negative
Current Draw	5.50A @ 12V DC 3.20A @ 24V DC

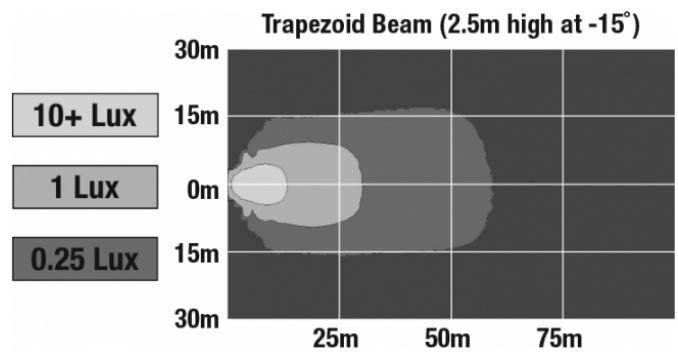
REGULATORY STANDARDS COMPLIANCE



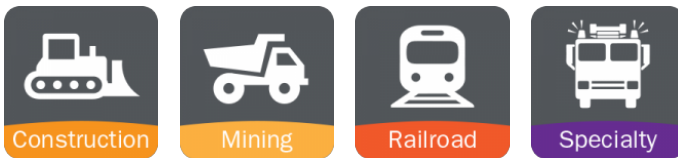
Buy America Standards	CE CISPR 12
CE CISPR 22	Eco Friendly
IEC IP69K	SAE J1113-13

PHOTOMETRIC SPECIFICATIONS

Raw Lumen Output	5,250
Effective Lumen Output	4,500
Nominal LED Color Temperature	5000 (K)
Beam Pattern(s)	Forward Lighting - Trapezoid



APPLICATIONS



RELATED PRODUCTS



[Part Number 1801581](#)

**12-24V LED Work Light
with Polycarbonate Lens
& Flood Beam Pattern**



[Part Number 1801621](#)

**12-24V LED Work Light
with Polycarbonate Lens
& Spot Beam Pattern**



[Part Number 1801781](#)

**12-24V LED Work Light
with Glass Lens &
Trapezoid Beam Pattern**



[Part Number 1801791](#)

**12-24V LED Work Light
with Glass Lens & Flood
Beam Pattern**